



Service Parts Catalog

Automatic Scorer

July 1996 / 57-900360-000

Brunswick® 
CUSTOMER SERVICE
A tradition in excellence.

Copyright © 1992, August 1992, July 1996, by Brunswick Bowling and Billiards Corporation. All rights reserved.

AUTOMATIC SCORER SERVICE PARTS CATALOG

Reorder Part No. 57-900306-000

Confidential material under license.
DO NOT reproduce or disclose.

Brunswick Bowling and Billiards Corporation
525 West Laketon Avenue
P.O. Box 329
Muskegon, MI 49443-0329

Table of Contents

Section A - Pinsetter Area

Switch Cluster	2A
New Pins Solenoid & Cycle Link Assemblies	4A
Power & Foul Box and AMF Interface Box Assemblies	6A
Sweep Switch and Table Switch Assemblies (AMF 82-30)	8A
Sweep Switch and Table Switch Assemblies (AMF 82-70 & 82-70SS)	10A
BowlerVision Gamemaker	12A
BowlerVision Lane Pair Video Switchers	14A
BowlerVision A/P Controller (A-2)	16A
BowlerVision A-2 Respot Solenoid and Relay Assembly	18A
PinSensor for String Pinsetter Model "M" (5 Pins)	20A
PinSensor for String Machine Model "P" (5 Pins)	22A
PinSensor for Duckpin String Machine Model "S" (10 Pins)	24A
PinSensor for GS-92 Pinsetters	26A
AS-90/GS-92 Interface	28A

Section B - Optical Pinsensing

Model 79 Scanner Assembly	2B
Model 79 Scanner Assembly	4B
Model 79 Drive Housing Assembly	6B
Model 79 Scanner Mount Assembly	8B
Model 79 Scanner Cover Assemblies	10B
Model 79 Ball Detector and Reflector Assemblies	12B
Model 79 Data Acquisition Box Assembly	14B
Model 79 Scanner Tester Assembly	16B
Model 86 Scanner Assembly	18B
Model 86 Scanner Tester Assembly	20B
Model 86 Scanner Adjusting Kit	22B
CCD Camera Assembly	24B
CCD Processor Box Assembly	26B
CCD Camera Tester & Cable Assembly	28B
Reflector and Ball Detector Assemblies	30B
CCD Camera Cover & Ball Detect Mounting Brackets	32B
CCD Camera Cover Assembly	34B
CCD Camera Support Brackets	36B

Section C - Bowler's Area

AS-80 Console Hood	2C
Upper Console Assembly (1979-1991)	4C
CPU and I/O Assemblies	6C
12" B & W CRT Assembly	8C
Printer and Door Assemblies (1979-1991)	10C
Lower Console Assembly	12C
Power Panel Assembly (1979-1991)	14C
AS-80 to AS-90 Conversion	16C
AS-K Console	18C
AS-K Power Panel	20C
AS-90 Console	22C
AS-90 Power Panel	24C
AS-90 Color Console	26C
AS-90 Color Console Electrical Panels and Cabling	28C
BowlerVision Playpad Console (1988-1991)	30C
BowlerVision Playpad Components (1988-1991)	32C
BowlerVision Coach (1988-1991)	34C

BowlerVision Coach Bezel (1988-1991)	36C
BowlerVision Coach (1991-Later)	38C
BowlerVision Coach Bezel (1991 and Later)	40C
BowlerVision Console	42C
BowlerVision Console Power Panel Assembly	44C
Bowler Express Lane Terminal or Concourse Unit	46C

Section D - Overheads

B & W Overhead Cabinet & Face Assembly	2D
B & W Overhead Cabinet Inside Frame Assembly	4D
B & W 23" CRT Assembly (Motorola)	6D
25" Color Overhead Cabinet Assembly	8D
25" Color Overhead Assembly	10D
27" Overhead (Model F4)	12D
27" Overhead to AS-80 Interface Assembly (Model F4)	14D
27" Overhead (Model F5)	16D
27" Overhead Video Decoder Assembly (Model F5)	18D
BowlerVision 27" Overhead	20D
BowlerTrack System	22D

Section E - Control Desk

B & W Manager's Control	2E
B & W Manager's Control Printer Cabinet	4E
AS-80 Console and B & W Manager's Control Printer	6E
Source Control	8E
Source Control Chassis	10E
1.5 Manager's Control Printer, Keyboard, and Handset	12E
MC 1.5 Chassis for AS-K	14E
MC 1.5 Chassis for AS-90	16E
Colorvision Control Box Assembly	18E
Colorvision Control Box Cable Assemblies	20E
Colorvision Video Control Console Cabinet	22E
Colorvision Video Control Console	24E
Source Command	26E
Source Command Keypad	28E
AMF Interface (for Source Command)	30E
Manager's Video Cassette Recorder and TV/Monitor	32E
BowlerVision MCD Computer and Modem	34E
Manager's Control Desk Video Switcher	36E
BNC to MCD Monitor Adapter	38E
MCD Playpad	40E
BowlerVision Local Comline Adapter (RS232) and DTS Interface	42E
BowlerVision Printer, Keyboard, and Monitor	44E
Command Network Control Desk Cash Drawer, and Keyboard and Control Desk Receipt Printer with Converter Box	46E
Lane Interface Unit and Customer Display	48E
Scorer Interface Unit	50E
Bowler Express Trouble Call Signal Unit and Scoresheet Printer	52E

Section F - Office

BowlerVision Equipment	2F
BowlerVision Audio Line Drivers	4F
Office Computers	6F

Section G - Cables

Ball Rack to A.P. Cont. Lane Cable Assembly 53-520588-000	2G
A/C to I/O Cable Assembly (1979-1980) 57-214148-000	3G
CPU to I/O Cable Assembly 57-214150-000	4G
Keyboard to I/O Cable Assembly 57-214151-000	5G
A/C to I/O Cable Assembly (1981 & Up) 57-214152-000	6G
A/C to A/P Interface (Model 79) Cable Assembly 57-214153-000	7G
Scanner to A/P Cable Assembly 57-214154-000	8G
A/C to Keyswitch Cable Assembly 57-214157-000	9G
Lower Console A/C Interlock Cable Assembly 57-214158-000	10G
Battery Cable Assembly 57-214159-000	11G
I/O to Printer Cable Assembly 57-214160-000	12G
Printer to Transformer Cable Assembly 57-214161-000	13G
12" Monitor Power and Interlock Cable Assembly 57-214164-000	14G
A/P Interface to Scanner Cable Assembly (for Subway and Concealed Surfaces) 57-214165-000	15G
CPU to Eprom Cable Assembly 57-214168-000	16G
CPU to Eprom Cable Assembly 57-214169-000	17G
CPU to Ram Cable Assembly 57-214170-000	18G
CPU to 12" Monitor "B" Cable Assembly 57-214172-000	19G
Pinsetter Cable Assembly 57-214173-000	20G
Keyboard to Service Light Cable Assembly 57-214175-000	21G
Mode Switch Cable Assembly 57-214176-000	22G
Manager's Control Adapter Cable Assembly 57-214182-000	23G
Scanner Interface Cable Assembly (AMF - Common to All Models) 57-214285-000	24G
AMF Lane #1 Cable Assembly (82-70SS) 57-214286-000	25G
AMF Lane #2 Cable Assembly (82-70SS) 57-214287-000	26G
AMF Lane #1 Cable Assembly (82-30) 57-214296-000	27G
AMF Lane #2 Cable Assembly (82-30) 57-214297-000	28G
AMF Lane #1 Cable Assembly (82-70) 57-214301-000	29G
AMF Lane #2 Cable Assembly (82-70) 57-214302-000	30G
A/C Board to A/P Interface Cable Assembly (Surface Return) 57-214311-000	31G
A/P Interface to Scanner Cable Assembly 57-214312-000	32G
Ball Detect to D/A Box Cable Assembly 57-214313-000	33G
R.H. and Interconnect Cable Assemblies 57-214370-004/57-214370-005)	34G
Switch Board and Switch Bank Interconnect Cable Assemblies 57-214401-000/57-214490-000	35G
VCR to Control Cable Assembly 57-214409-000	36G
Scorer PA to Control Cable Assembly 57-214411-000	37G
VCR to Overhead Cable Assembly 57-214413-000	38G
Video Select Control Cable Assembly 57-214415-000	39G
VCR/Overhead Select Extension Cable Assembly 57-214416-000	40G
Control to Overhead Single Select & Scorer Cable Assembly 57-214417-000	41G
Color Select Switch Cable Assembly 57-214433-000	42G
A/C to I/O Cable Assembly 57-214449-000	43G
Audio to House PA Cable Assembly 57-214484-000	44G
Video All Select Cable Assembly 57-214486-000	45G
Color Select Extension Cable Assembly 57-214507-000	46G
Video/Scorer Control Extension Cable 57-214508-000	47G
Scorer Video Extension Cable Assembly 57-214510-000	48G
Service Light Extension Cable Assembly 57-214511-000	49G
Color Select Interconnect Cable Assembly 57-214515-000	50G
ASC Cable Assembly 57-214580-000	51G
Automatic Pinsetter Control Cable Assembly (to A/P Control Box) 57-214581-000	52G
Source Command to AS-80 Console Audio Cable Assembly 57-214582-000	53G
Overhead Comline to End Overhead Cable Assembly 57-214583-000	54G
Source Control to Source Command Comline Jumper Cable Assembly 57-214584-000	55G
Lever Switch Cable Assembly 57-214588-000	56G

Section G - Cables (Continued)

AMF Lane #1 Cable Assembly with Timing Motor (82-30) 57-214591-000	57G
AMF Lane #2 Cable Assembly with Timing Motor (82-30) 57-214592-000	58G
Power Supply Cable Assembly 57-214727-000	59G
Audio/Logic Interconnect Cable Assembly 57-214728-000	60G
Comm Line Fuse Cable Assembly 57-214729-000	61G
Handset Cable Assembly 57-214730-000	62G
AC Power Cable Assembly 57-214732-000	63G
Line Cord Cable Assembly 57-214733-000	64G
Switch Cable Assembly 57-214734-000	65G
Power Receptacle Assembly 57-214735-000	66G
Keyboard Cable Assembly 57-214743-010	67G
VCR to Source Command Audio Cable Assembly 57-214858-000	68G
Overhead Comline Cable Assembly 57-214881-000	69G
DTS Cable Assembly 57-214883-000	70G
Foul Pick Up Cable Assembly (Processor Box Mounted on Capping) 55' 57-214894-000	71G
A/C to Scanner Cable Assembly 57-214895-000	72G
Scanner to A.P. Cable Assembly 57-214896-000	73G
Ball Detector Cable Assembly 57-214902-000	74G
A/P Control Cable Assembly (to AMF Source Command Interface Box) 57-214910-000	75G
AS-80 Console Control Cable Assembly 57-214912-000	76G
AMF Pinspotter Control Cable Assembly 57-214913-000	77G
AMF Interface to Model 86 Scanner or CCD Processor 57-214927-000	78G
A.C. to Scanner Cable Assembly 57-215054-000	79G
Camera Video Coax Cable Assembly (Processor Box Mounted on Capping) 33" 57-215167-000	80G
Camera Clock Coax Cable Assembly (Processor Box Mounted on Capping) 21" 57-215168-000	81G
Processor Cable Assembly (Processor Box Mounted on Capping) 33" 57-215169-000	82G
Test Set to Camera Bracket Cable Assembly 57-215171-000	83G
LED Camera Cable Assembly 57-215172-000	84G
A.C. to Camera Cable Assembly (Processor Box Mounted on Capping) 85' 57-215229-000	85G
Ball Detect String Machine Interface Cable Assembly 57-215230-000	86G
Foul String Machine Interface Cable Assembly 57-215231-000	87G
Main Comline to A/C PCB Cable Assembly 57-215241-000	88G
Pin Data Model "M" 5 Pin String Interface Cable Assembly 57-215265-000	89G
LN2 A.P. Model "M" 5 Pin String Interface Cable Assembly 57-215266-000	90G
LN1 A.P. Model "M" 5 Pin String Interface Cable Assembly 57-215267-000	91G
Communications Cable Assembly (Field Assembled) 57-215284-000	92G
Communications Cable Assembly (Field Assembled) 57-215288-000	93G
A.P. Model "P" 5 String Cable Assembly 57-215325-000	94G
A.P. Wire Harness Model "P" 5 String Cable Assembly 57-215326-000	95G
CPU to 27" Overhead Scorer Video Coax Cable Assembly 57-215370-000	96G
CPU to 27" Overhead Service Lamp Cable Assembly 57-215371-000	97G
Coax Clock Processor Cable Assembly 57-215377-000	98G
Processor Cable Assembly (Processor Box Mounted on Capping) 57-215379-000	99G
Scanner to Ball Detect Cable Assembly 57-215391-000	100G
Foul Pickup Cable Assembly 57-861245-000	101G
A.C. to CCD Camera with AS-80 & AS-K Scorers Cable Assembly (Processor Box Mounted on Curtain Wall) 115' 57-215396-000	102G
CCD Processor Earth Ground Cable Assembly 57-215403-000	103G
A.C. to Camera Cable Assembly (Processor Box Mounted on Curtain Wall) 115' 57-215421-000	104G
Processor to Brunswick A/P Cable Assembly (Curtain Wall Mount) 57-215507-000	105G
Keypress and Cable Assembly - Complete 57-860255-000	106G
Alpha Micro to DTS Register Cable Assembly 67-860230-000	107G
Alpha Micro Cable Assembly 67-860231-000	108G
Optical Trigger and Foul Cable Assembly 68-47-862717-000	109G
Data Switch Cable Assembly 68-100044-000	110G
Data Solenoid Cable Assembly 68-100046-000	111G
Player Control Station Cable Assembly 68-100050-000	112G

Section G - Cables (Continued)

Data Solenoid Cable Assembly 68-100157-000	113G
Data Switch Cable Assembly 68-100158-000	114G
GS Power and Peripheral Control Cable Assembly 68-100193-000	115G
Local Comline Cable Assembly 68-100194-000	116G
Local Comline Terminator Cable Assembly 68-100209-000	117G
MCD to Modem Interface Cable Assembly 68-100210-000	118G
Local Comline Cable Assembly 68-100211-000	119G
Master Comline Cable Assembly 68-100212-000	120G
Master Comline Terminator Cable Assembly 68-100213-000	121G
Local Comline "Y" Cable Assembly 68-100215-000	122G
Manager's Console Cable Assembly 68-100269-000	123G
H.V. to G.S. to Comm Ground Cable Assembly 68-100272-000	124G
Master Comline Cable Assembly 68-100282-000	125G
Global Audio Cable Assembly 68-100287-000	126G
Audio "In" Cable Assembly 68-100293-000	127G
Laser Disk to Com Line RS232 Cable Assembly 68-100297-000	128G
Audio "Out" Cable Assembly 68-100311-000	129G
Local Comline Cable Assembly 68-100322-000	130G
RJ-11/DB-25 Modular Adapter Cable Assembly 68-100325-000	131G
Local Comline Cable Assembly 68-100327-000	132G
Global Audio Cable Assembly 68-100328-000	133G
Local Comline Terminator Cable Assembly 68-100329-000	134G
Local Comline Cable Assembly 68-100330-000	135G
Playpad Power Supply Cable Assembly 68-100332-000	136G
Laser Disk to Comline RS232 Cable Assembly 68-100333-000	137G
Printer to Comline RS232 Cable Assembly 68-100334-000	138G
75 Ohm Terminator Cable Assembly 68-100337-000	139G
External Power Out Cable Assembly 68-100367-000	140G
Universal Overhead Control Cable Assembly 68-100386-000	141G
Outlet Cover Assembly 68-100465-000	142G
RGBS Cable Assembly 68-100467-000	143G
RGBS Cable Assembly 68-100468-000	144G
Playpad Service Light Cable Assembly 68-100477-000	145G
Playpad Service Light Cable 68-100478-000	146G
RGBS Cable Assembly 68-100487-000	147G
RGBS Cable Assembly 68-100488-000	148G
Serial "Out" Video Switcher Cable Assembly 68-100494-020	149G
BowlerVision BNC to BNC Cable Assembly 68-100503-000	150G
BowlerVision RCA to BNC Cable Assembly 68-100504-000	151G
Global Video and Score Correct Cable Assembly 68-100523-000	152G
Coach Keypad Power Cable Assembly 68-100525-000	153G
Speaker Cable Assembly 68-100550-000	154G
Audio Cable Assembly (BNC to .100KK) 68-100617-000	155G
Control 2 to Control 1 Cable Assembly 68-100622-000	156G
Control Board Interconnect Ribbon Cable Assembly 68-100623-000	157G
Control P.C.B. to Coach P.C.B. Cable Assembly 68-100636-000	158G
Terminal Block to Speaker Cable Assembly 68-100644-000	159G
RGBS Cable Assembly 68-100656-000	160G
Foul to Optical Trigger Cable Assembly 68-100659-000	161G
Pinsetter Control Respot Pins Solenoid (BowlerVision/A-2) Cable Assembly 68-300208-000	162G
AP Control Cable Assembly 68-300225-000	163G
BowlerVision/A-2 to Scanner Cable Assembly 68-300226-000	164G
Local Comline Cable Assembly 68-300227-000	165G
BowlerVision/A-2 Control Cable Assembly 68-300228-000	166G
BowlerVision/A-2 Overhead Control Cable Assembly 68-300230-000	167G
BowlerVision/A-2 Pinfall Display Cable Assembly 68-300231-000	168G
Local Comline Cable Assembly 68-300234-000	169G

Section G - Cables (Continued)

BowlerVision/A-2 AP Control Left Pinsetter Cable Assembly 68-300236-000	170G
BowlerVision Service Light Cable Assembly 68-300239-000	171G

Section H - Miscellaneous

Scorer Technician's Tools	2H
BowlerVision Information Center	4H
DTS Cash Register	6H
NCR Cash Register, Remote Slip Printer and Bowler Express Receiving Station	8H
Manuals	10H

Introduction

About This Catalog

The Brunswick Automatic Scorer Parts Catalog contains service parts information for several different product lines of Brunswick Scoring and Office Computer equipment. In order to make it easier to find the particular part you are looking for, the catalog has been divided into sections, (note index dividers), referring to areas within your Bowling Center.

Pinsetter Area - contains scoring associated equipment which is located on or near the pinsetters.

Optical Pinsensing - contains the three generations of optical pin sensors, (Model 79 Scanner, Model 86 Scanner and CCD Camera), and related equipment which is located down lane in front of the masking units.

Bowler's Area - contains all the various floor mounted consoles which are generally located in the bowler's area near the approach.

Overheads - contains all the various overhead displays and cameras which are ceiling mounted in the bowler's area.

Control Desk - contains equipment which is normally located at the main control desk in a bowling center. Actual locations of some of this equipment may vary from center to center.

Office - contains equipment which is normally located within the computer room or office area of a bowling center. Actual locations of this equipment may vary from center to center.

Cables - contains cables for all electronic product lines which interconnect the equipment. Cables which are internal to individual components can be found on those product pages.

Miscellaneous - contains the remaining items which do not logically fall into the other areas of this catalog.

Cables

The cables which are internal to any given piece of scoring equipment can be found on the page with that piece of equipment. Cables which interconnect various pieces of equipment are listed as "Associated Interconnecting Cables" on the left hand page, but not illustrated on the right hand page. These cables are illustrated in the tabbed "CABLES" section of the catalog. They are arranged there in sequential part number order.

Software

In all computer systems, some components contain software. From time to time, Brunswick makes improvements in software. In most circumstances, the newer software is no longer compatible with older software. Because of this, components which contain software must be ordered carefully, so that the proper software is included. Components with software carry the -400 series on the part number suffix (ex.57-215312-401). Your Customer Service Representative will assist you when ordering the component.

Select Only Genuine *Brunswick Replacement Parts* for Brunswick Equipment

You purchased the best when you bought Brunswick equipment. Insist on the best in replacement parts...Buy Genuine *Brunswick Replacement Parts* to keep your equipment in top-notch working order.

HERE'S WHY YOU SHOULD INSIST ON *Brunswick Replacement Parts* FOR YOUR BRUNSWICK EQUIPMENT:

- Only Brunswick replacement parts are guaranteed to be the same, finest quality, heavy-duty parts that go into the world's finest equipment by Brunswick.
- Rigid quality control assures maximum protection against part defect or failure.
- Full-time testing of all equipment and continual updating of parts provides the proprietor with the latest improvements.
- Each improved part is designed to be interchangeable with the part it is replacing.
- New, low cost methods of production and more efficient design to reduce cost of parts...This assures you of lowest cost while maintaining the Brunswick standard of quality.

FOR PROMPT, DEPENDABLE SERVICE, MAIL ORDERS TO:

Your Brunswick Area Office

Contact Your Authorized *Brunswick Replacement Parts* Distributor
(see following page titled *Genuine Brunswick Part Distributors*)

or

Call Customer service (in USA and Canada only)

Brunswick 

1-800-YES-BOWL
(1-800-937-2695)

Brunswick International Area Offices

HEADQUARTERS

Brunswick Bowling & Billiards Corporation
P.O. Box 329
525 West Laketon Avenue
Muskegon, MI 49443-0329
1-800-937-2695 (USA & Canada)
Telephone: 616-725-3300
Fax: 616-725-3457

UNITED KINGDOM

Brunswick Bowling & Billiards Corporation (U.K.) Ltd.
Unit 2, Bushacre Court
14 Garrard Way
Kettering, Northants NN16 8TD
UNITED KINGDOM
Telephone: 44-1536-412-244
Fax: 44-1536-410-350

LATIN AMERICA/CARIBBEAN

Brunswick Bowling & Billiards Corporation
2655 Le Jeune Rd., Suite 546
Coral Gables, Florida 33134
Telephone: 305-444-8984
Fax: 305-444-8986

EUROPE

Brunswick GmbH
Mergenthaler Allee 45-47
D-65760 Eschborn/Taunus
GERMANY
Telephone: 49-6196-4727-12
Fax: 49-6196-47-27-34

SOUTHEAST ASIA

Brunswick International Ltd.
801, Energy Plaza
92 Granville Road
Tsimshatsui East
Kowloon
HONG KONG
Telephone: 852-367-8080
Fax: 852-367-6112

Brunswick Siam Ltd.
15TH Floor, Sathorn City Tower
175, South Sathorn Road, Tungmahamek
Sathorn, Bangkok 10120
THAILAND
Telephone: 66-2-285-1020
Fax: 66-2-285-1971

Nippon Brunswick Co. Ltd.
Nippon Brunswick Bldg.
27-7, Sendagaya 5-Chrome
Shibuya-Ku, Tokyo 151
JAPAN
Telephone: 81-3-3355-9101
Fax: 81-3-3355-9123

BRAZIL

Brunswick Bowling & Billiards Ltda.
Avenida Des Americas No. 3333
Office 407
Barra Da Tijuca
Rio De Janeiro
BRAZIL
Telephone: 55-21-325-3770
Fax: 55-21-325-8638

MEXICO

Brunswick Bowling & Billiards Corporation
De Mexico, S.A. de C.V.
Aurelio Aceves 225, Local 6
Zona Comercial Hotel Fiesta Americana
Col. Vallarta Poniente
Guadalajara, Jalisco
C.P. 44110
MEXICO
Telephone: 52-3-616-4540
Fax: 52-3-630-1130

Brunswick Bowling & Billiards Corporation
Brunzar Mexico, S.A. DE C.V.
Av. Roble No. 300 Edificio Torrealta
4to Piso Despacho 406
Col. Valle Del Compestre
San Pedro Garza Garcia, N.L.
C.P. 66265
MEXICO
Telephone: 52-8-335-5000 or 52-8-335-5128 or
52-8-335-5137
Fax: 52-8-335-6600

CHINA

Brunswick China Limited
Rm 8, 6/Floor
Corporation Square
8 Lam Lok Street
Kowloon Bay
Kowloon
Hong Kong
Telephone: 852-2755-7182
Fax: 852-2331-8797

Genuine Brunswick Parts Distributors

NORTH AMERICAN AREA DISTRIBUTORS

United States

- Ace Mitchell
Tallmadge, Ohio
- Bobs' Business
Red Wing, Minnesota
- Bowling Supply Company
Nashville, Tennessee
- Bowlmaster
Hartford, Connecticut
- Colonial Bowling Supply
Oviedo, Florida
- Complete Bowling Service
Seattle, Washington
- Dallas Bowling & Billiards Supplies
Dallas, Texas
- H.J. Malone Associates
Redwood City, California
- Jayhawk Bowling & Equipment Inc.
Lawrence, Kansas
- Western Pacific Bowling Supply Inc.
Orange, California
- Wright Distributing Company
Provo, Utah

Canada

- Bowling Sales of Canada
Mississauga, Ontario
- Maurice Boyer Pro Shop, Inc.
Verdun, Quebec

EUROPEAN AREA DISTRIBUTORS

Germany

- Spobag Service U. Handels
GmbH, Dusseldorf, Germany
- Gebr. Hill Bowling Service
GmbH, Hochstetten-Dhaun,
Germany
- Hoops Bowlinganlagen und
Sportgeraete-Vertriebs
GmbH, Bremerhaven, Germany

United Arab Emirates

- Al Otaiba Company, Dubai,
United Arab Emirates

Spain

- Bowling Chamartin
Madrid, Spain

Finland

- Keilailupalvelu Oy
Helsinki, Finland

Greece

- Strike Inc.
Athens, Greece

Italy

- Si Line s.r.l.
Benedetto del Tronto, Italy

Sweden

- Skandinavisk Bowling Ab
Taby, Sweden

Belgium-France

- Valcke Import Export BVBA
Wevelgem, Belgium-France

Saudi Arabia

- Osama I. Abudawood
Jeddah, Saudi Arabia

Egypt

- Engineering Sports & Tourist
Centers, Cairo, Egypt

Netherlands

- Bowling Import Benelux BV
Steenbergen, Netherlands

Norway

- Skandinavisk Bowling AB
Hamar, Norway

India

- Inco Mechel Pvt., Ltd.
Bombay, India
- Bawa Bowling Alley Pvt. Ltd.
New Delhi, India

ASIA/AUSTRALIA AREA DISTRIBUTORS

Korea

- Yang Ji Trading Company,
Ltd.,
Seoul, Korea

Guam

- Guam Richok Enterprises
Guam

Singapore/Malaysia

- Equipe 101 Management
Pte., Ltd., Singapore

Taiwan

- Sahaco International Corp.
Taipei, Taiwan

Australia

- Heritage Bay Pty., Ltd
Sydney, Australia

New Zealand

- Go Bowling Centres, Ltd.
Auckland, New Zealand

LATIN AMERICAN/CARIBBEAN AREA DISTRIBUTORS

Argentina

- Ricardo H. Blajackis Y Cia
Buenos Aires, Argentina

Peru

- Brupin, S.A.
Lima, Peru

Chile

- Geyger, Mailath E. Hijos,
Ltd., Santiago, Chile

West Indies

- Import Export Air Express
Trinidad, West Indies

Ecuador

- P. Arellano Montalvo Sucs.
Quito, Ecuador

Republic of Panama

- Productos Superiores, S.A.
Panama, Republic of Panama

Columbia

- Alfredo Ramirez Suarez
Bogota, Colombia

Costa Rica

- Rafel A. Ulloa & Cia
San Jose, Costa Rica

Venezuela

- Venezuela Bowling Supply,
C.A., Caracas, Venezuela

Automatic Scorer Exchange Depots (International)

Brunswick offers International Exchange Depot locations for your Automatic Scorer subassemblies. Each facility will provide prompt exchange service for defective subassemblies in both warranty and non-warranty situations.

Each subassembly returned should be accompanied by a completed Electronic Assembly Repair Traveler (Form No. 57-214327-000), which provides complete customer mailing information as well as detailed failure data for the defective subassembly. Pads of Traveler Forms are available, at no charge, from the nearest Service Depot.

Referring to the world map below, we recommend that you use the Service Depot located nearest your facility. The name, address, telephone and FAX numbers for the Service Depots indicated on the map are as follows:

Spobag
Service - und Handels GmbH
Tichauer Weg 21
D-40231 Dusseldorf
GERMANY
Phone : 011-49-211-21-80-88
Fax: 011-49-211-21-67-92

Sahaco International Corporation
6F, No. 230, Sec. 3
Cheng Te Road
Taipei, Taiwan
REPUBLIC OF CHINA
Phone: 011-886-2-593-5555
Fax: 011-886-2-593-1366

Yang Ji Company Limited
162-6, Mapo-ku
Dongkyo-Dong
Seoul
KOREA
Phone : 011-82-2-370-4700 or
011-82-2-562-3705
Fax: 011-82-2-326-0451

Nippon Brunswick Company, LTD.
Nippon Brunswick Bldg.
27-7, Sendagaya 5-Chrome
Shibuya-ku, Tokyo 151
JAPAN
Phone: 011-81-3-3355-9101
Fax: 011-81-3-3355-9123

Brunswick China Limited
Rm 8, 6/Floor
Corporation Square
8 Lam Lok Street
Kowloon Bay
Kowloon, HONG KONG
Phone: 011-852-2755-7182
Fax: 011-852-2331-9718



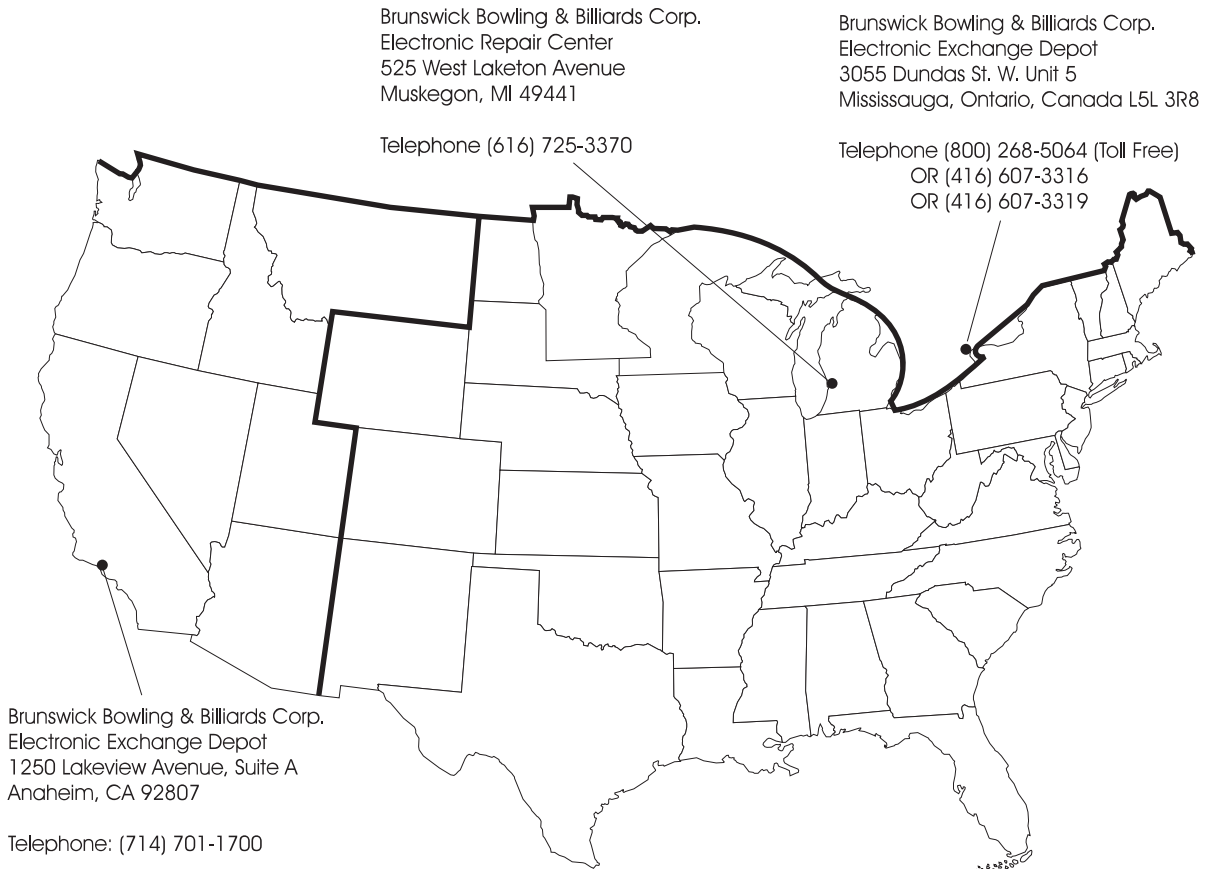
Automatic Scorer Exchange Depots (Domestic)

Brunswick offers three convenient Exchange Depot locations for your Automatic Scorer subassemblies. Each facility will provide prompt exchange service for defective subassemblies in both warranty and non-warranty situations.

Each subassembly returned should be accompanied by a completed Electronic Assembly Repair Traveler (Form No. 57-214327-000), which provides complete customer mailing information as well as detailed failure data for the defective subassembly. Pads of Traveler Forms are available, at no charge, from the nearest Service Depot.

Referring to the map below, we recommend you use the Service Depot located nearest your facility, or the Service Depot located in your indicated service area:

<u>LOCATION</u>	<u>SERVICE AREA</u>
Anaheim, California	Alaska, Arizona, California, Hawaii, Idaho, Montana, Nevada, Oregon, Utah and Washington
Muskegon, Michigan	All Other States
Muskegon, Michigan	All Canadian Customers



How to Order

Minimum Order Policy

Orders for less than \$50.00 will be subject to a \$10.00 handling charge. Products may be combined in order to meet the \$50.00 minimum.

Order by Mail

Order by mail for prompt delivery. Use the handy Brunswick order forms. Please read instructions before ordering.

Payment

Please send money order or personal check. Brunswick will not be responsible for currency sent in the mail. Brunswick will accept VISA or MasterCard.

***Note:** If your order totals (net) less than \$500.00 add 6% of total purchases to your payment to cover freight charges.*

State and Local Taxes

State and local taxes are not included in the catalog prices. Please add state and local taxes where applicable.

C.O.D. Shipments

A nominal charge will be added to your C.O.D. payment, by the carrier, upon delivery. This charge can be saved if you send payment with your order.

2% Discount Available

Qualified customers may order on our regular open account terms and save 2% if the account is paid before the 10th of the next month. A 2% per month late charge will be levied against any past due open account receivables. Dating terms are occasionally available to qualified customers. Ask your Brunswick representative for further details. If you want to establish an open account credit, send payment with your first order and two or three business references. Your Brunswick representative will handle the rest. No discount is given on labor, repairs, taxes, insurance or transportation charges.

Return Goods

No merchandise may be returned for credit without our written agreement. In the event of return by agreement, a handling charge of 15% will be made. Return transportation charges must be prepaid. Discontinued or unsaleable merchandise may not be returned for credit. All prices, specifications and terms are subject to change without notice.

Damage

Examine goods carefully upon arrival and advise within 15 days of any damage or shortages sustained. If damaged, have transportation company driver write extent of damages on all copies of the freight bill and sign them. Call the transportation company immediately to inspect for "concealed" damage and furnish written report. Send this report and freight bill with your letter of explanation to your Brunswick Regional Office.

For Fast Delivery

For fast delivery of Service Parts, telephone, telefax or air mail your order to the Muskegon Order Department (see address on the next page). Your order will be shipped immediately.

Writing An Order

Fill out the order form as shown below. Be sure to include the correct part number from the catalog as all orders will be filled according to this number, not the description. Fill out the "Sold To" and "Ship To" portions of the order form and recheck all the information for accuracy. Sign the order where indicated. Fold the order, insert in the envelope and mail to the following address:

Brunswick Bowling & Billiards Corp.
Post Office Box 1147
Muskegon, MI 49443

or

Appropriate Area Office

or

Genuine Brunswick Replacement Parts Distributor

Electronic Product Support

Call the Electronic Product Support Line:

1-800-323-8141

Shipping Charges

Bowling Supplies and/or Service Parts orders totaling \$500.00 or more (net) will be shipped freight prepaid. Any orders totaling less than \$500.00 will be shipped collect.

PLEASE PRINT

ORDER NUMBER		CUSTOMER P.O. NUMBER		RSLE	PROMISE DATE	REQUESTED DATE	SALES ANAL. NUMBER	WHSE	SHIP VIA	SHIP TERMS	SHIP TYPE	TIER CLASS	QUAL TIER	TERMS	TRADE DISC.	ORDER SOURCE
57-214093-000		57-214198-000														
11-612005-000		11-696601-000														
57-214093-000		57-214198-000														
11-612005-000		11-696601-000														
57-214093-000		57-214198-000														
11-612005-000		11-696601-000														
57-214093-000		57-214198-000														
11-612005-000		11-696601-000														

PARTS AND SUPPLY ORDER

MAIL TO:

Brunswick
BOWLING & BILLIARD CORP.
P.O. BOX 329
MUSKEGON, MI 49443-0329

CUSTOMER NUMBER		SHIP TO		RELETED BILL- TO	
XYZ Bowling Center Follow Thru Lanes 111 White Street Erie, Pennsylvania 00000		LEGAL NAME			
		TRADE NAME			
		ADDRESS ONE			
		ADDRESS TWO			
		CITY		STATE ZIP	

Section A

PINSETTER AREA

Index No.	Part No.	Description
1.	57-214023-000	Switch Cluster Assembly - Complete
2.	17-204243-000	Dual Gear
3.	11-537016-001	Retaining Ring
4.	57-214024-000	Cam Shaft Assembly
5.	57-214025-000	Cam Shaft Only
6.	17-204244-000	Gear Only
7.	17-204234-000	Switch Plate Assembly
8.	10-616051-000	Nut Plate (#4-40)
9.	11-617501-000	Fabric Insulator
10.	11-616015-000	Switch
11.	11-199000-001	Internal Tooth Lockwasher (#4)
12.	11-010509-001	Hex Hd. Screw w/Washer (#4-40 x 3/4")
13.	11-010513-001	Hex Hd. Screw w/Washer (#4-40 x 1-1/4")
14.	11-010022-001	Hex Hd. Screw (#6-32 x 3/8")
15.	11-195006-001	Lockwasher (#6)
16.	11-190528-001	Plain Washer
17.	10-386107-000	Spacer
18.	57-214227-000	Switch Cam (36° to 136°)
19.	11-420141-000	Oilite Bearing
20.	17-204237-000	Switch Cam (0° to 270°)
21.	11-420138-000	Oilite Bearing
22.	11-195014-001	Lockwasher (1/4)
23.	11-125100-001	Hex Nut (1/4-20)
24.	11-001186-001	Hex Hd. Cap Screw (1/4-20 x 1-1/4")
25.	*57-860109-000	Reset Button Kit - Complete - (Take Data Relay)
26.	11-671503-000	Relay 5 PST
27.	11-015165-001	Hex Hd. Screw (#10-24 x 5/8")
28.	17-204255-000	Adapter Bracket
29.	**57-860594-000	Surge Suppressor - Model SP-1S for 120/240 V Single Phase Wye Sub-Panel
30.	**57-860592-000	Surge Suppressor - Model SP-3Y for 120/208 V Three Phase Wye Sub-Panel
31.	**57-860593-000	Surge Suppressor - Model SP-3D for 120/240 V Three Phase Delta Sub-Panel
32.	**57-860595-000	Surge Suppressor - Model SP-240NN for 240NN V Three Phase Delta Sub-Panel
33.	**57-860596-000	Surge Suppressor - Model SP-220/380 for 220/380 V Three Phase Wye Sub-Panel
34.	11-195010-001	Lockwasher (#10)
35.	11-125004-001	Hex Nut (#10-24)
36.	17-204274-000	Cable Support Bracket
37.	11-005264-001	Hex Socket Hd. Cap Screw (5/16-18 x 1")
38.	11-195015-001	Lockwasher (5/16)
39.	11-603105-000	Cable Tie
40.	12-750789-000	Cable Clamp (2 Req'd)
41.	11-107087-001	Rd. Hd. Screw (#10-24 x 5/8")

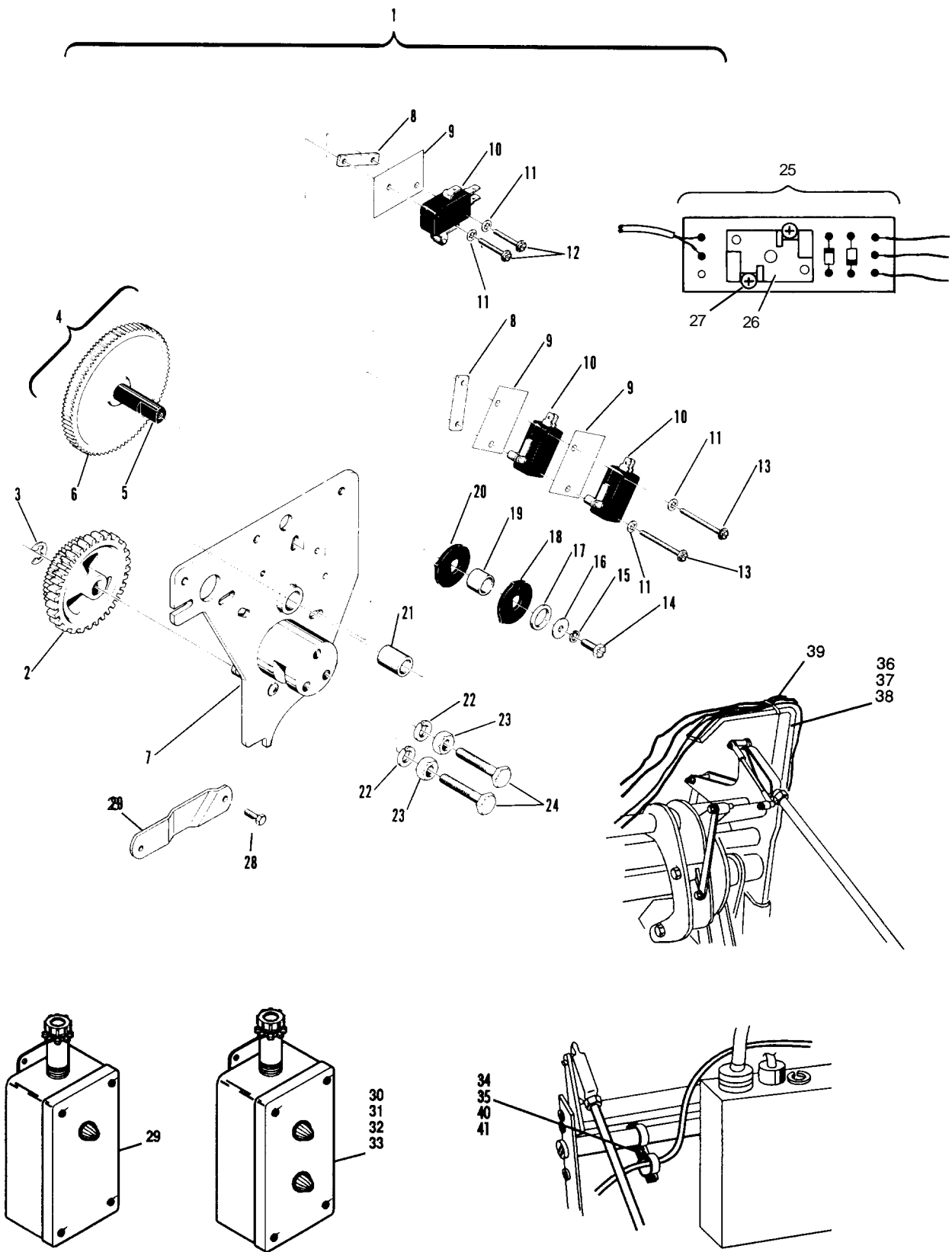
* Components other than Index No. 26, Relay, are not available for sale or repair. Purchase new assembly if unit fails.

** The surge suppressors are voltage and phase specific to your bowling center. A licensed electrician should identify which suppressor is needed before ordering.

Associated Interconnecting Cables

57-214173-000 Brunswick Pinsetter Cable Assembly

Switch Cluster and Reset Button Kit Assemblies



Switch Cluster and Reset Button Kit Assemblies

Index No.	Part No.	Description	Index No.	Part No.	Description
1.	17-204097-051	Channel Assembly	29.	17-204040-000	Mounting Plate
2.	11-107026-001	Round Hd. Screw (#6-32 x 1/2")	30.	*12-100166-026	Pin
3.	11-603108-000	Cable Tie	31.	*11-230000-001	X-Washer
4.	57-214173-000	Pinsetter Cable Assembly	32.	17-204038-000	Wire Link
5.	11-602101-000	Cord Grip	33.	57-214048-000	Solenoid Box Only
6.	11-602002-001	Electrical Locknut (1/2)	34.	11-125000-001	Hex Nut (#4-40)
7.	11-696600-000	Solid State Relay	35.	11-612007-000	Terminal
8.	11-619007-000	Terminal Strip	36.	11-010089-001	Hex Hd. Screw (#10-24 x 2-1/4")
9.	11-017041-001	Round Hd. C.R. Sems Screw (#6-32 x 3/8")	37.	11-124001-001	Hex Nut (#6-32)
10.	11-696910-000	MOV 130 Volts	38.	11-190002-001	Plain Washer (#6)
11.	11-691067-000	Resistor (18 Ohm, 1/2 Watt)	39.	11-604005-000	Wire Clamp (3/8)
12.	57-214050-000	Cover	40.	17-204083-000	Channel Hanger
13.	11-125004-001	Hex Nut (#10-24)	41.	N.A.	Shield
14.	11-195010-001	Lockwasher (#10)	42.	N.A.	Relay Assembly - See Index No. 55
15.	17-204213-000	Crank	43.	11-693008-000	Diode (1N4003)
16.	17-204218-000	Split Bushing Crank	44.	11-024003-001	T. Hd. C.R. Screw (#4-40 x 1/4")
17.	17-204214-000	Split Bushing	45.	***57-860263-000	A/P Control PCB Assembly
18.	17-204220-000	Cycle Crank Assembly	46.	57-215007-000	PCB to Solenoid Cable Assembly
19.	11-001064-001	Hex Hd. Cap Screw (#10-24 x 1")	47.	11-680326-000	Terminal
20.	11-230001-001	X-Washer	48.	11-697237-000	Connector
21.	17-204222-000	Cycle Link Assembly ("A-2" Machine)	49.	11-609502-000	Wire Splice
	*17-204284-000	Cycle Link Assembly ("A" Machine)	50.	11-612151-000	Faston Terminal
	17-204222-010	Cycle Link Assembly (Japanese Machine)	51.	11-012253-001	Screw (#4-40 x 5/16")
22.	11-017161-001	Round Hd. C.R. Sems Screw (#10-24 x 3/8")	52.	12-700041-000	Micro-Switch Spring
23.	11-696113-000	Capacitor .10 MFD 600 Volts	53.	**17-860047-000	Detector Mechanism Modification Kit - Complete
24.	11-013004-001	Pan Hd. C.R. Screw (#4-40 x 3/8")	54.	53-600170-000	Isolation Transformer
25.	11-195004-001	Lockwasher (#4)	55.	57-860252-000	AS-80 New Pins Solenoid Relay Kit
26.	11-680208-000	Receptacle	56.	11-198000-001	Lockwasher (#4)
27.	11-680301-000	Terminal	57.	11-185319-000	Spacer (#4-40, 1/4 x 1/2)
28.	12-100022-000	Solenoid 110 Volt	58.	57-215006-000	Insulator

* Not Illustrated

** Does not include Index No. 21, Cycle Link Assembly

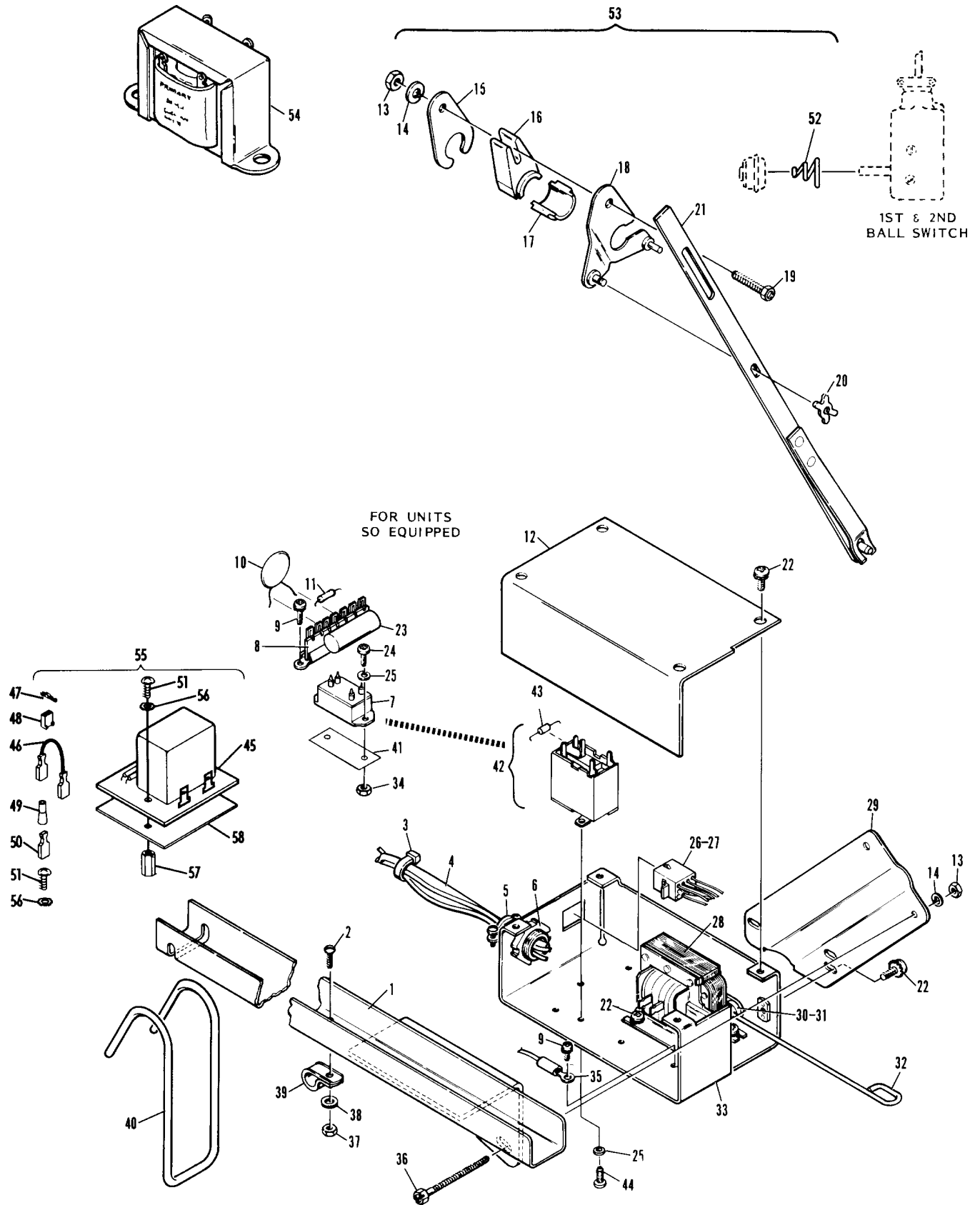
*** No. 45, A/P Control PCB Assembly, is not available except through ordering
No. 55, AS-80 New Pins Solenoid Relay Kit

N.A. = No Longer Available

Associated Interconnecting Cables

57-214165-000	Scanner to New Pins Solenoid Cable (AS-K, AS-80, & AS-90)
57-214896-000	Scanner to New Pins Solenoid (BowlerVision with A-2 Pinsetter)

New Pins Solenoid & Cycle Link Assemblies



New Pins Solenoid & Cycle Link Assemblies

Index No.	Part No.	Description
1.	11-686101-000	Cover
2.	11-686001-000	Box
3.	N.A.	Transformer
4.	11-010779-000	Ground Screw
5.	11-609502-000	Wire Nut
6.	11-602101-000	Cord Clamp
7.	57-214294-000	Power and Foul Box Assembly - Complete
8.	N.A.	Interface Cover
9.	57-860326-000	PC Adapter Board (Brunswick Repair/Exchange)
10.	11-107023-001	Round Hd. Screw (#6-32 x 5/16")
11.	N.A.	Wood Screw (#6)
12.	*57-860199-000	AMF Interface Board w/Cover - Complete
13.	11-185307-000	Standoff (#6-32 x 1-1/4")
14.	N.A.	Switch

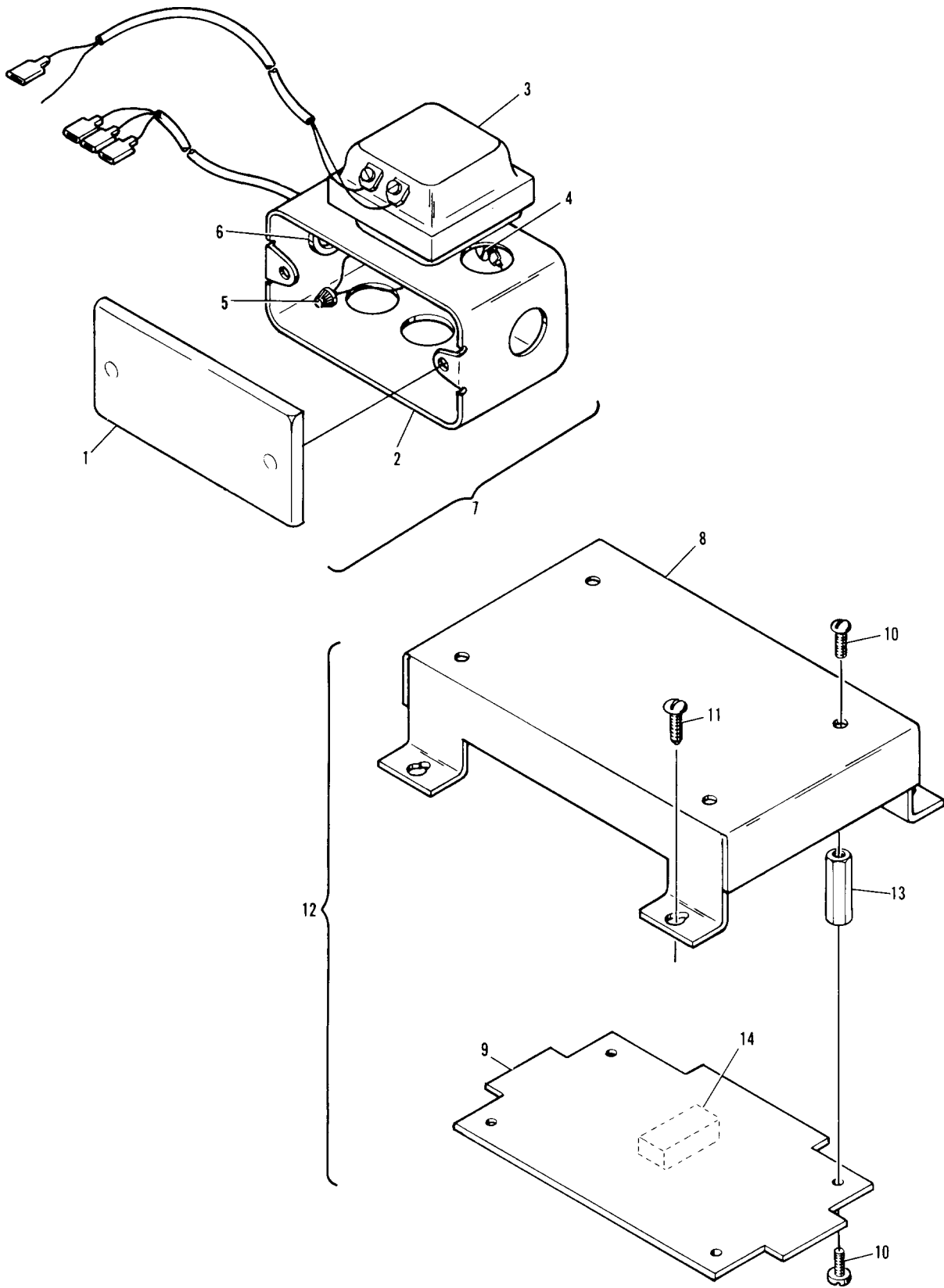
N.A. = No Longer Available

*Does not include Item No. 11, Wood Screw.

Associated Interconnecting Cables

57-214286-000	AMF 82-70SS Lane #1 Cable Assembly
57-214287-000	AMF 82-70SS Lane #2 Cable Assembly
57-214301-000	AMF 82-70 Lane #1 Cable Assembly
57-214302-000	AMF 82-70 Lane #2 Cable Assembly
57-214591-000	AMF 82-30 Lane #1 Cable Assembly
57-214592-000	AMF 82-30 Lane #2 Cable Assembly
57-214285-000	AMF Interface to 79 Scanner (All AMF Models)
57-214927-000	AMF Interface to 86 Scanner (All AMF Models)
	AMF Interface to CCD Camera

Power & Foul Box and AMF Interface Box Assemblies



Power & Foul Box and AMF Interface Box Assemblies

Index

Index No.	Part No.	Description
1.	*57-214295-000	Sweep Switch Assembly - Complete
2.	N.A.	Actuator
3.	17-600526-000	Switch Plate
4.	17-600581-000	Switch (Sweep)
5.	11-013009-001	Pan Hd. Screw (#4-40 x 3/4")
6.	11-195004-001	Lock Washer (#4)
7.	10-616051-000	Nut Plate
8.	N.A.	Cable Clip
9.	N.A.	Switch Bracket (Table or Sweep)
10.	10-616009-000	Switch (Table)
11.	11-617501-000	Insulator
12.	11-190000-001	Plain Washer (#4)
13.	11-013011-001	Pan Hd. Screw (#4-40 x 1")
14.	57-214590-000	Switch and Bracket Assembly (Table and Sweep) - Complete
15.	57-214589-000	Bracket Only
16.	11-176009-001	Keeps Nut (#4-40)
17.	11-012256-001	Pan Hd. C.R. Screw (#4-40 x 1/2")
18.	11-013242-001	Pan Hd. Screw (#2-56 x 5/8")
19.	57-214588-000	Lever Switch Cable Assembly
20.	11-199020-001	Lock Washer (#2)
21.	11-124105-001	Hex Nut

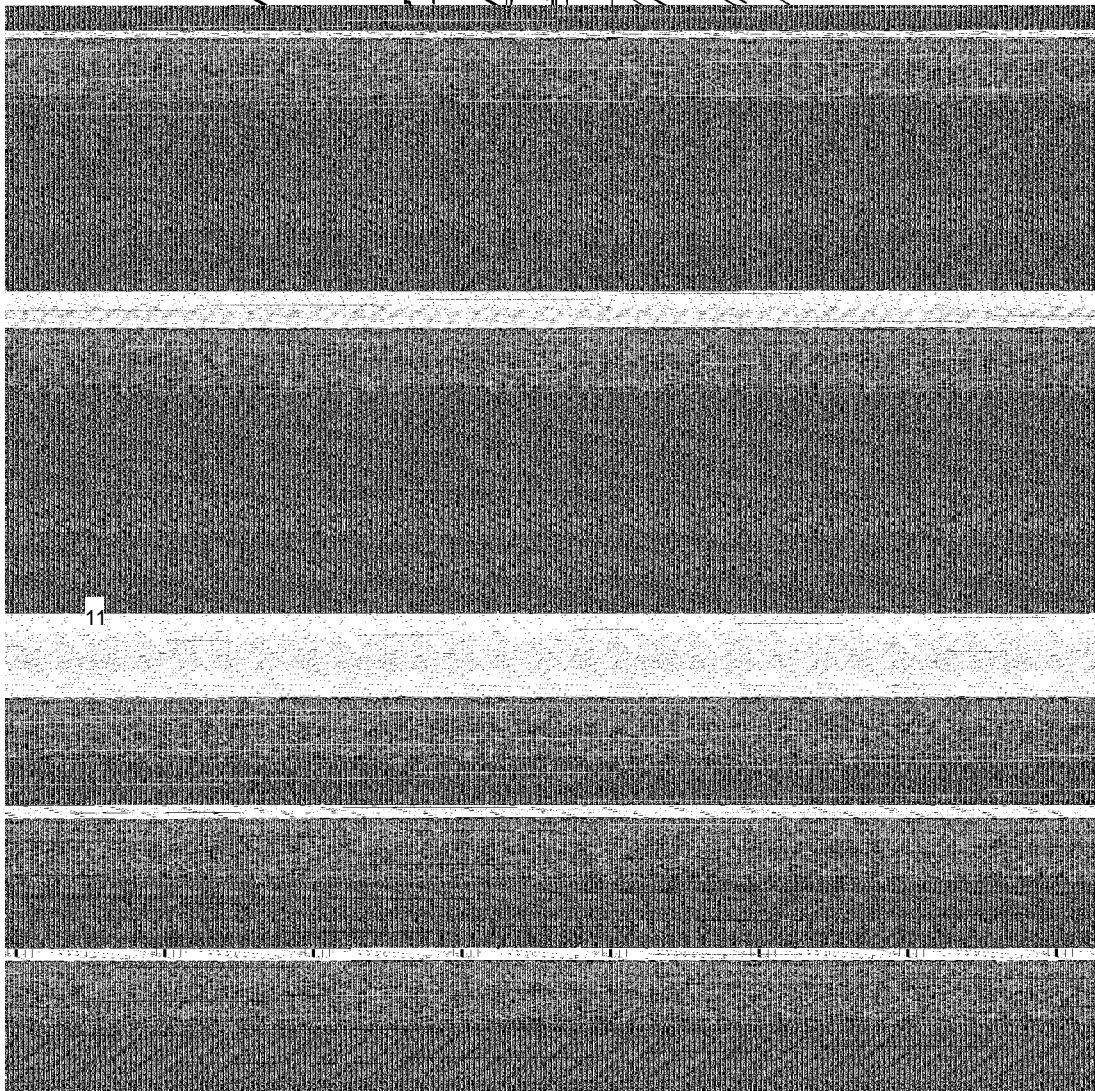
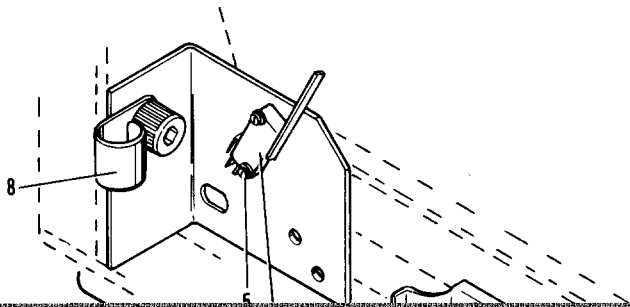
N.A. = No Longer Available

*Does not include Index Nos. 2, Actuator and 8, Cable Clip

Associated Interconnecting Cables

57-214591-000	AMF Lane #1 Cable Assembly (82-30)
57-214592-000	AMF Lane #2 Cable Assembly (82-30)

**Sweep Switch and Table Switch Assemblies
(AMF 82-30)**



**Sweep Switch and Table Switch Assemblies
(AMF 82-30)**

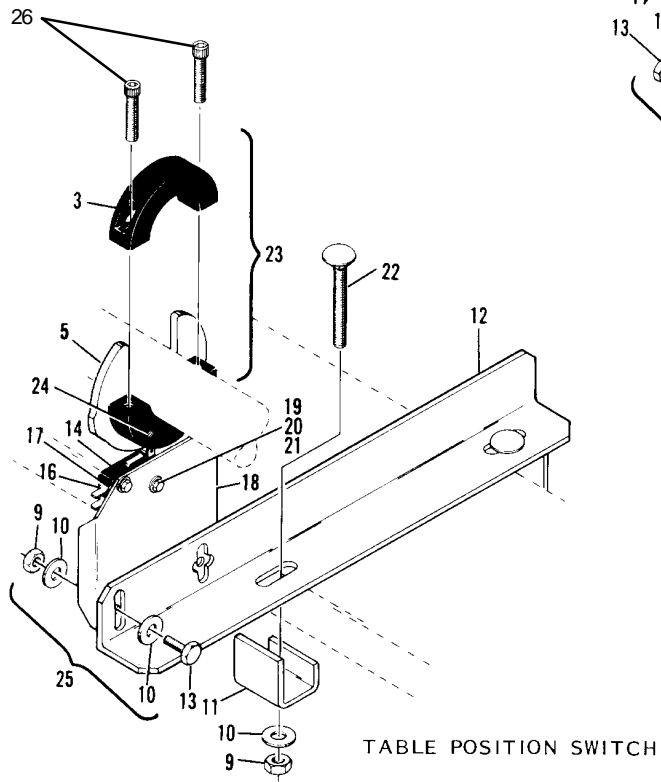
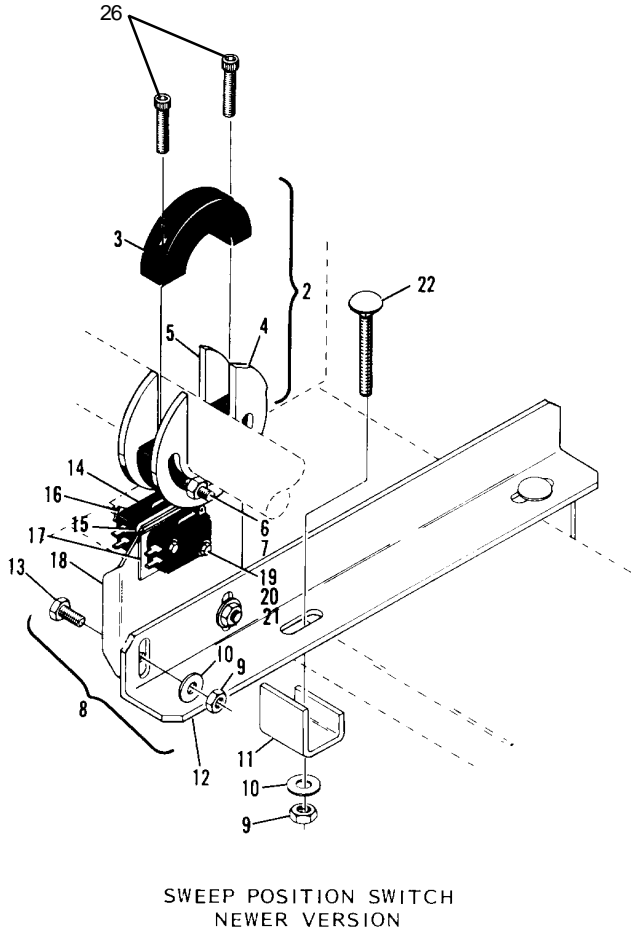
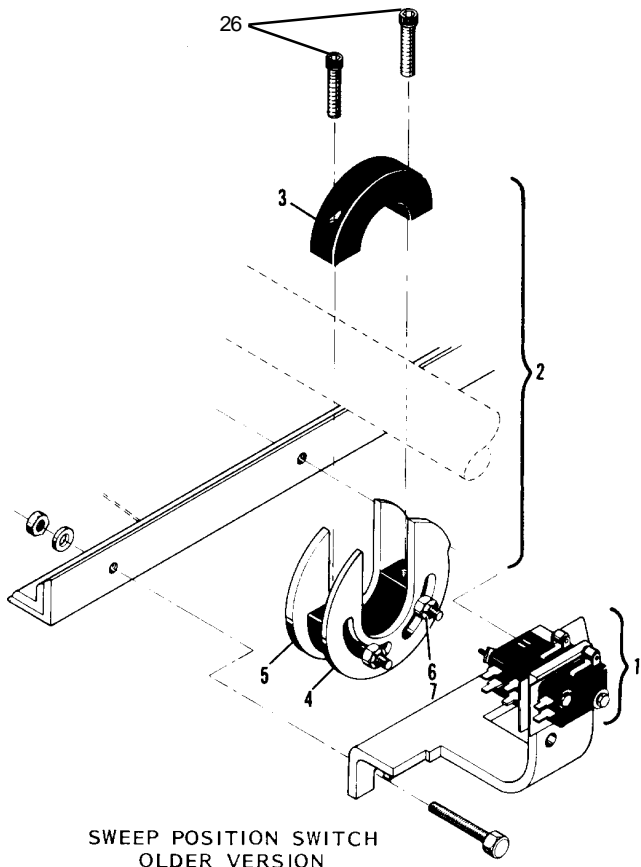
Index No.	Part No.	Description
1.	57-214299-000	Sweep Position Switch and Bracket Assembly
2.	57-214300-000	Sweep Position Switch Cam Assembly w/Two Piece Collar Assembly
3.	N.A.	Two Piece Collar Assembly
4.	57-215757-000	Rake-Up Cam
5.	17-600842-000	Data Cam
6.	11-001105-001	Hex Hd. Cap Screw (10-32 x 1-1/8")
7.	11-170006-001	Self Locking Nut
8.	57-214529-000	Sweep Position Switch and Bracket Assembly
9.	11-170007-001	Locknut (1/4-20)
10.	11-190010-001	Plain Washer
11.	57-214633-000	Hook
12.	57-214634-000	Angle Bracket
13.	11-001182-001	Hex Hd. Bolt (1/4-20 x 3/4")
14.	10-616009-000	Switch
15.	17-204247-000	Spacer
16.	10-616051-000	Nut Plate
17.	11-617501-000	Insulator
18.	57-214635-000	Switch Plate
19.	11-195004-001	Lockwasher (#4)
20.	11-190000-001	Plain Washer (#4)
21.	11-010014-001	Hex Hd. Screw (#4-40 x 1-1/2")
22.	11-071022-001	Carriage Bolt (1/4-20 x 1-3/4")
23.	17-600849-000	Table Position Switch Cam Assembly w/Two Piece Collar Assembly
24.	11-001098-001	Hex Hd. Cap Screw (10-32 x 1/2")
25.	57-214636-000	Table Position Switch and Bracket Assembly
26.	N.A.	Socket Head Cap Screw (1/4-28 x 5/8")

N.A. = No Longer Available

Associated Interconnecting Cables

57-214286-000	AMF 82-70SS Lane #1 Cable Assembly
57-214287-000	AMF 8270SS Lane #2 Cable Assembly
57-214301-000	AMF 82-70 Lane #1 Cable Assembly
57-214302-000	AMF 82-70 Lane #2 Cable Assembly

Sweep Switch and Table Switch Assemblies (AMF 82-70 & 82-70SS)



**Sweep Switch and Table Switch Assemblies
(AMF 82-70 & 82-70SS)**

Index No.	Part No.	Description
1.	*68-860131-402	Gamemaker Assembly (115 VAC) (Brunswick Repair/Exchange)
2.	68-860075-000	Gamemaker Assembly (UHF Version) (Brunswick Repair/Exchange)
3.	*68-860075-402	Gamemaker Assembly (230 VAC) (BNC Version) (Brunswick Repair/Exchange)
4.	N.A.	Copper Mesh Display Screen (1-1/2" x 1-1/2")
5.	N.A.	Screen Retainer
6.	11-012254-001	Screw (#4-40 x 3/8")
7.	N.A.	LED Assembly
8.	47-142833-000	Key Switch Assembly
9.	47-142830-000	Switch Assembly
10.	47-142546-000	Mounting Nut (M12 THD)
11.	11-680989-000	Screw Lock
12.	68-100152-000	Gamemaker Wire Assembly
13.	68-100151-000	Gamemaker Wire Assembly
14.	11-199005-001	Internal Tooth Lockwasher (#1/4-20)
15.	11-018144-001	Screw (#1/4-20 x 3/8")
16.	N.A.	Gamemaker Power Supply Assembly
17.	11-697233-000	Connector
18.	68-100120-000	Gamemaker Power Supply Cover
19.	11-199001-001	Internal Tooth Lockwasher (#6)
20.	11-012270-001	Screw (#6-32 x 1/4")
21.	N.A.	Gamemaker Cover
22.	11-199002-001	Lockwasher (#8-32 x 3/8")
23.	11-012308-001	Screw (#8-32 x 3/8")
24.	12-502527-000	Switch Guard
25.	68-100134-000	Gamemaker Video Exit Cable Assembly
26.	11-675099-000	LED
27.	11-680326-000	Terminal
28.	N.A.	3 Position Alt Action Switch
29.	N.A.	Connector
30.	68-100690-000	AC Power Cord (115 VAC)
31.	N.A.	Lens
32.	N.A.	LED
33.	11-697217-000	Connector
34.	11-680995-000	Connector
35.	11-680983-000	Contact Socket
36.	11-680985-000	Connector
37.	11-680981-000	Contact Pin
38.	11-012272-001	Screw (#6-32 x 3/8")
39.	N.A.	AC Extension Outlet
40.	11-611016-000	Strain Relief Bushing
41.	68-100124-000	AC Power Cord (230 VAC)
42.	68-100125-000	Fuse Holder
43.	11-685009-000	Fast-Blo Fuse (1.5 Amp)
44.	11-176009-001	Keps Nut (#4-40)
45.	11-199003-001	Internal Tooth Lockwasher (#10)
46.	11-012330-001	C.R. Pan Head Screw (#10-24 x 5/8")
47.	11-012284-001	C.R. Pan Head Screw (#6-32 x 2")

N.A. = No Longer Available

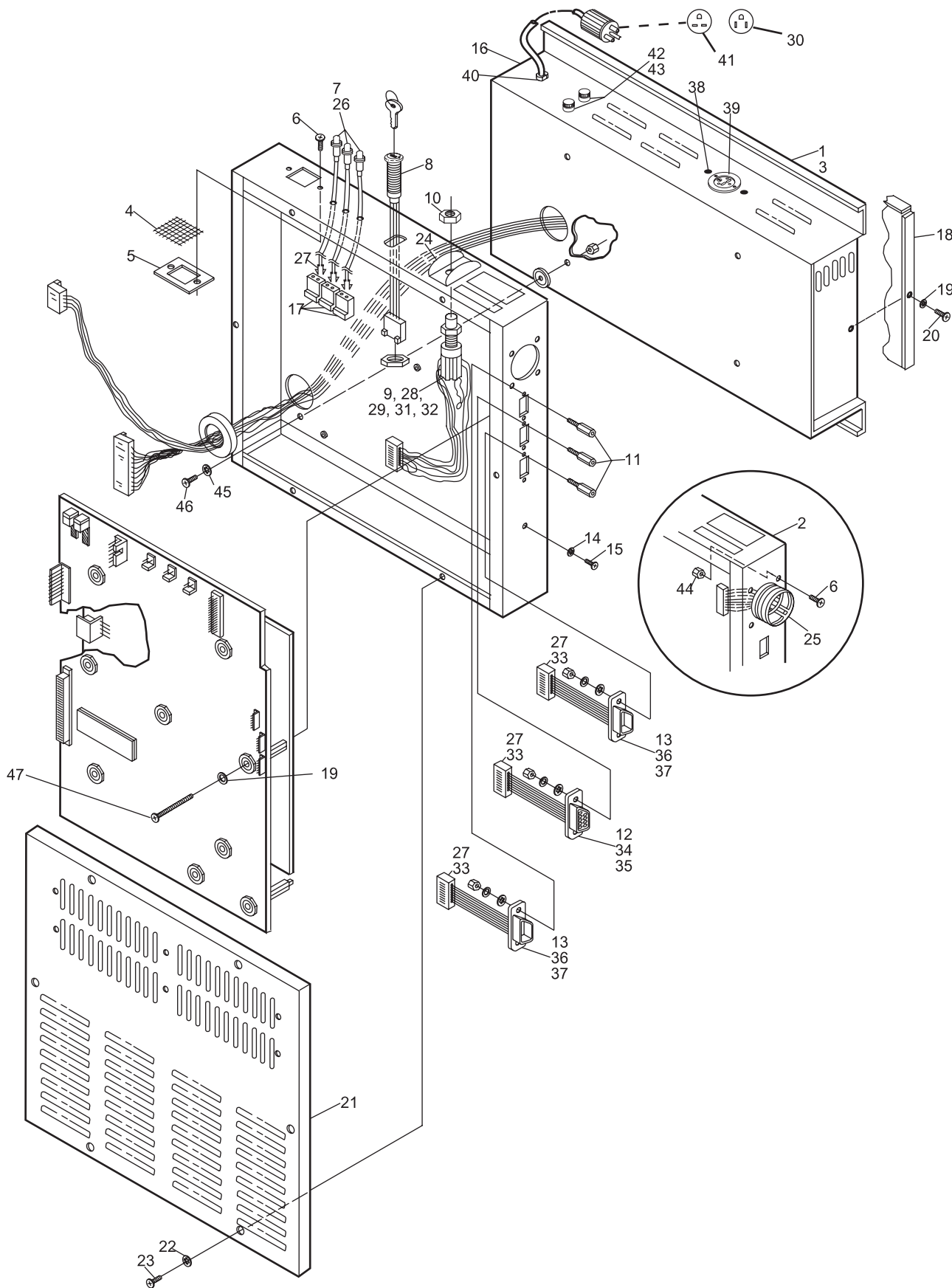
Associated Interconnecting Cables

68-100215-000	Local Comline "Y" Cable (J8)
68-100494-020	Video Cable - Four Monitor Version (Internal Hook-up)
68-100272-000	Ground Strap Cable (Gamemaker To Video Switcher to Pinsetter)
68-100212-000	Master Comline (J7 Master Com "Out" to J6 Master Com "In")
**27-609857-000	Master Comline (to first Gamemaker)

* You must contact Brunswick Customer Service to determine the correct software for your center. Call 1-800-YES-BOWL (1-800-937-2695)

** Custom cable only to first Gamemaker in system

BowlerVision Gamemaker



BowlerVision Gamemaker

Index No.	Part No.	Description
1.	68-860002-000	Video Switcher (UHF Version, 230 VAC) (Brunswick Repair/Exchange)
2.	68-860130-000	Video Switcher (BNC Version, 115 VAC, 4 Monitor) (Reference Power Plug) (Brunswick Repair/Exchange)
3.	68-860128-000	Video Switcher (BNC Version, 230 VAC, 4 Monitor) (Reference Power Plug) (Brunswick Repair/Exchange)
4.	N.A.	Terminal
5.	***N.A.	75 Ohm 4-3 Monitor Terminator
6.	68-100494-020	Serial Out-Video Cable Assembly
7.	11-176005-001	Keps Nut (#6-32)
8.	11-012274-001	Screw (#6-32 x 1/2")
9.	11-601800-000	Quick Lock Stud
10.	11-685126-000	Fuse Holder
11.	11-684011-000	Fuse (for 230 V Version)
12.	11-684002-000	Fuse (for 115 V Version)
13.	*11-696267-000	75 Ohm Terminator (UHF)
14.	*11-696265-000	75 Ohm Terminator (BNC)

Note: If you have a Coach/Playpad in your center, order 1 each index no. 3 and 1 each index no. 13.

* Only on last Video Switcher in system

** Custom cables only

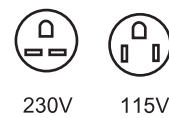
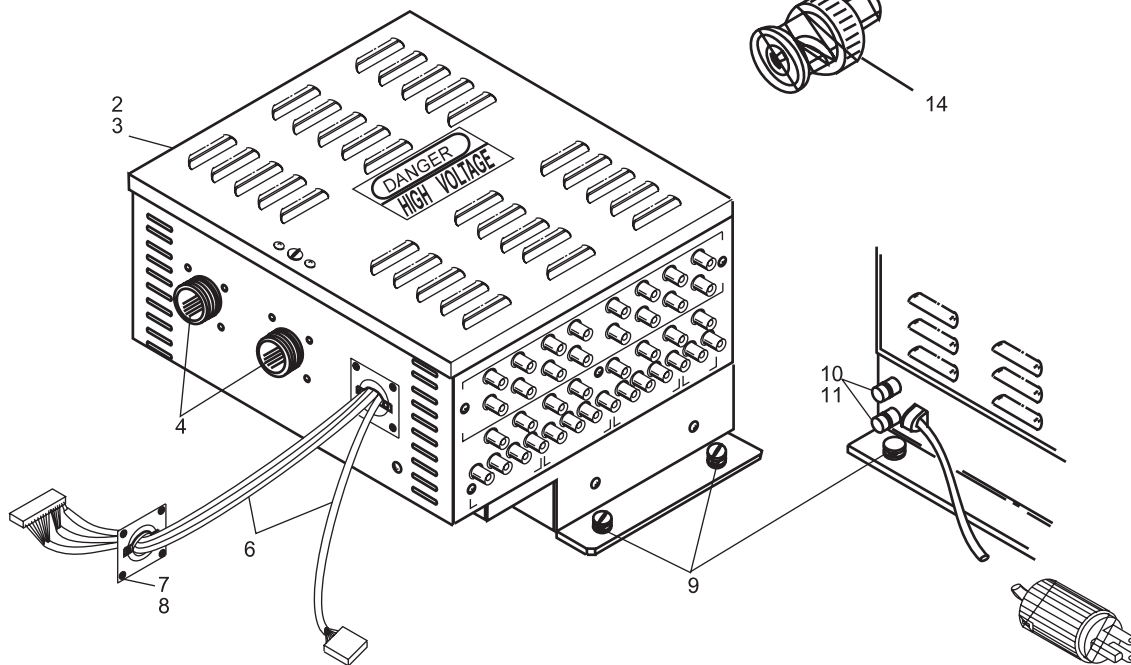
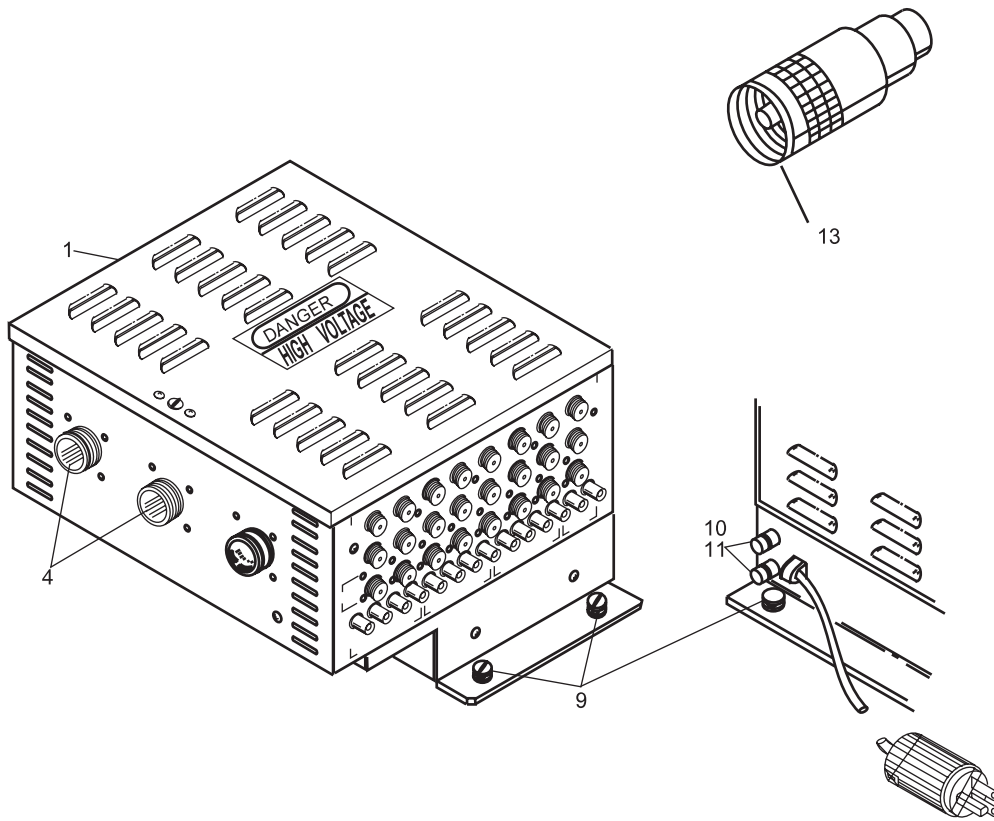
*** Not illustrated

N.A. = No Longer Available

Associated Interconnecting Cables

68-100272-000	Ground Cable Assembly (Video Switcher to Gamemaker to Pinsetter)
68-100523-000	Scorer Correct Video Cable Assembly (Video Switcher to next Video Switcher.)
68-100523-000	Global Video Cable Assembly (Video Switcher to next Video Switcher)
68-100328-000	Global Audio Cable Assembly (Video Switcher to next Video Switcher)
68-100656-000	Lower Right Fourth Monitor Video Cable Assembly
68-100487-000	Overhead Left or Right RGBS Video Cable Assembly (100')
68-100467-000	Coach RGBSA Video Cable Assembly (110')
68-100488-000	Score Correct/Global Video Cable Assembly
**27-619032-000	Score Correct Video and Global Video Cable Assembly (to first Video Switcher in system)
**27-609011-000	Global Audio Cable Assembly (to "Audio In" on Video Switcher)

BowlerVision Lane Pair Video Switchers



BowlerVision Lane Pair Video Switchers

Index No.	Part No.	Description
1.	68-860125-400	A/P Controller Package (Brunswick Repair/Exchange)
2.	*68-860125-401	A/P Controller Assembly
3.	68-300217-000	Enclosure
4.	68-300218-000	Cover
5.	68-300219-000	Divider
6.	68-300221-000	Mounting Bracket
7.	*68-860173-402	PC Board Assembly
8.	11-696627-000	Circuit Breaker (1.0 Amp)
9.	11-696630-000	PC Mount Circuit Breaker
10.	11-012024-001	Screw (#6-32 x 5/16")
11.	68-300211-000	Switch Assembly
12.	68-300213-000	Plug Assembly
13.	11-685126-000	Fuse Holder
14.	11-684104-000	Fuse (1 Amp)
15.	68-300212-000	Transformer Assembly
16.	11-170004-001	Nylok Nut (#8-32)
17.	68-300216-000	Wire Assembly
18.	68-300214-000	Wire Assembly
19.	11-070700-001	Carriage Bolt (1/4-20 x 5-1/2")
20.	11-001178-001	Screw (1/4-20 x 1/2")
21.	11-012057-001	Screw (#8-32 x 5/16")
22.	11-125007-001	Nut (1/4-20)
23.	11-615038-000	3 Position Toggle Lock Switch
24.	N.A.	Connector
25.	N.A.	Utility Outlet
26.	68-300210-000	A/P Input Power Plug
27.	11-692091-000	Terminal
28.	11-692306-000	Receptacle

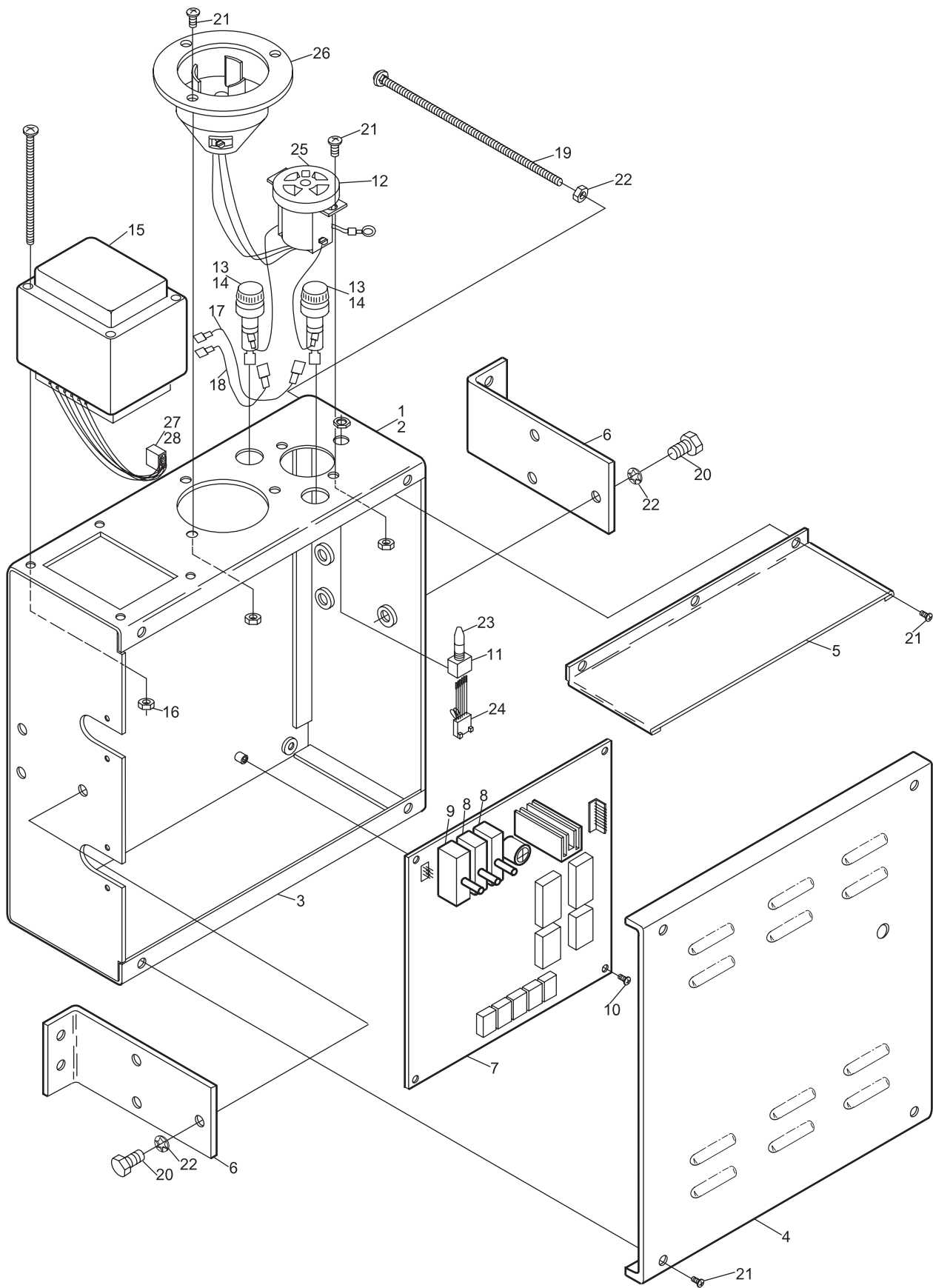
* You must contact Brunswick Customer Service to determine the correct software for your center. Call 1-800-YES-BOWL (1-800-937-2695)

N.A. = No Longer Available

Associated Interconnecting Cables

68-300226-000	A/P Controller to Scanner Cable Assembly (J3)
68-300207-000	Respot Right Control Cable Assembly (J8)
68-300225-000	APS Right Control Cable Assembly (J12)
68-300228-000	Foul Control Cables Assembly (J9)
68-300231-000	Pinfall Display Cable Assembly (J2)
68-300230-000	Overhead Control Cable Assembly (J5)
68-300239-000	Playpad/Service Light Cable Assembly (J6)
68-300236-000	APS Left Control Cable Assembly (J11)
68-300208-000	Respot Left Control Cable Assembly (J7)

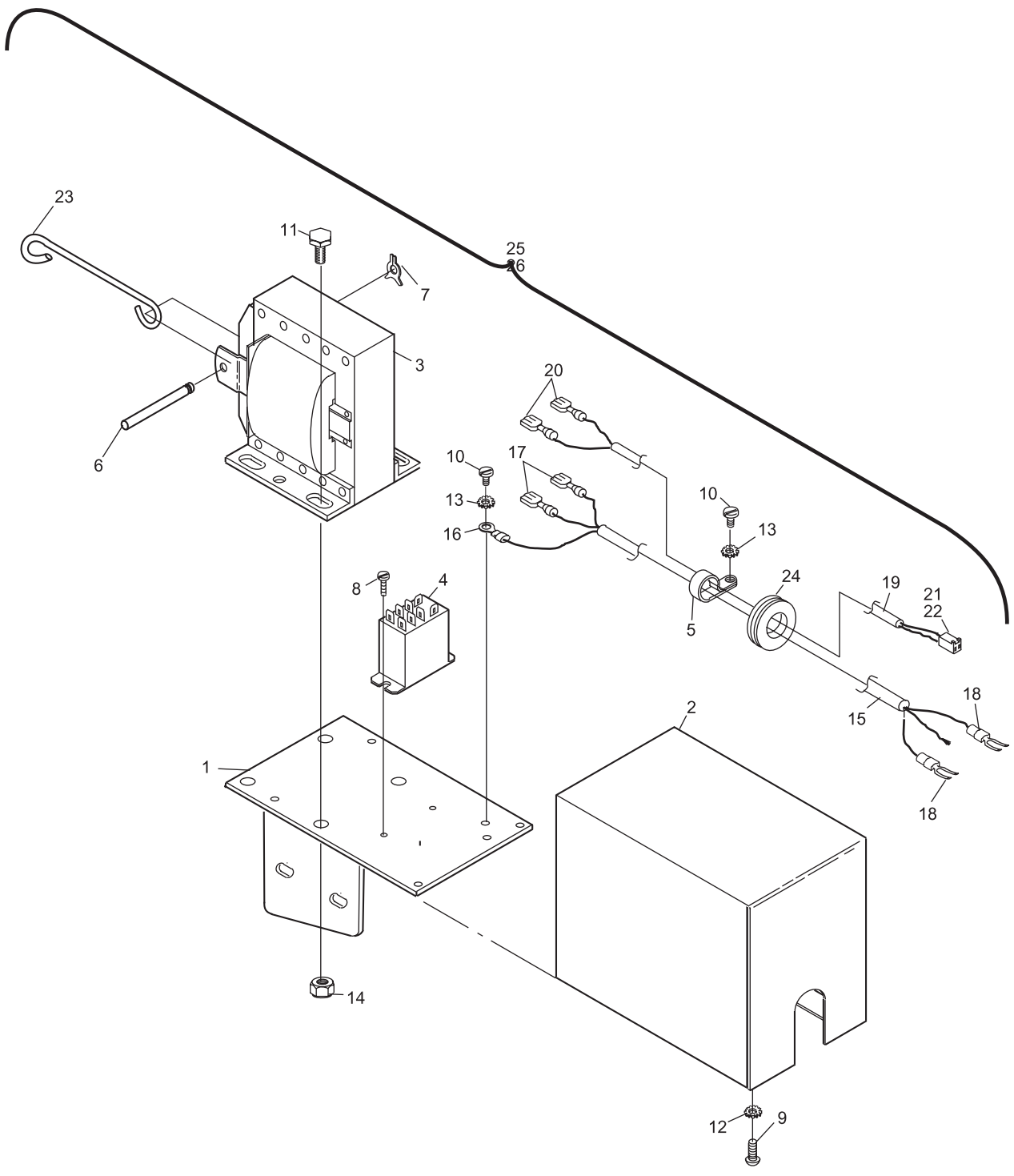
BowlerVision A/P Controller (A-2)



BowlerVision A/P Controller (A-2)

Index No.	Part No.	Description
1.	68-300203-000	Bracket
2.	68-300204-000	Cover
3.	68-300202-000	A-2 Respot Pins Solenoid Assembly
4.	11-696622-000	Relay
5.	11-604106-000	Cable Clamp
6.	12-100166-019	Pin - "X" Washer
7.	11-230000-001	"X" Washer
8.	11-013004-001	Pan Hd. Mach. Screw (#4-40 x 3/8")
9.	11-013019-001	Pan Hd. Mach. Screw (#6-32 x 3/16")
10.	11-013056-001	Pan Hd. Sltd. Mach. Screw (#8-32 x 1/2")
11.	11-001178-001	Hex Hd. Screw (#1/4-20 x 1/2")
12.	11-198001-001	External Tooth Washer (#6)
13.	11-198002-001	External Tooth Washer (#8)
14.	11-170007-001	Nylok Locknut
15.	68-300206-000	Cable Assembly
16.	11-612010-000	Terminal
17.	11-612151-000	Receptacle
18.	11-612021-000	Terminal
19.	68-300208-000	L.H. A/P Control Cable Assembly
	68-300207-000	R.H. A/P Control Cable Assembly
20.	11-612151-000	Receptacle
21.	11-697233-000	Terminal
22.	11-680326-000	Terminal
23.	68-300205-000	Link
24.	11-651018-000	Grommet
25.	68-300201-010	Right Respot Pins Solenoid Assembly - Complete
26.	68-300201-020	Left Respot Pins Solenoid Assembly - Complete

BowlerVision A-2 Respot Pins Solenoid and Relay Assembly



BowlerVision A-2 Respot Pins Solenoid and Relay Assembly

Index No.	Part Number	Description
1.	N.A.	Cover
2.	*N.A.	PCB Assembly
3.	N.A.	Enclosure
4.	11-185353-000	Standoff (#8-32 x 3/4")
5.	N.A.	Mounting Bracket
6.	11-176007-001	Keps Nut (#8-32)
7.	11-012057-001	Pan Hd. C.R. Mach. Screw w/Internal Tooth Lockwasher (#8-32 x 5/16")
8.	11-679604-000	Vibration Insulator
9.	57-215035-000	Cable Clamp
10.	57-215034-000	Cable Clamp
11.	11-603105-000	Cable Tie
12.	11-611009-000	Strain Relief Bushing
13.	11-611650-000	Split Bushing
14.	11-012271-001	Pan Hd. C.R. Mach. Screw (#6-32 x 5/16")
15.	11-176005-001	Keps Nut (#6-32)
16.	11-012330-001	Pan Hd. C.R. Screw (#10-24 x 5/8")
17.	11-176006-001	Keps Nut (#10-24)
18.	10-191516-000	Washer
19.	*57-860437-401	Model "M" 5 Pin String Interface to AS-80 (Brunswick Repair/Exchange)
20.	N.A.	Rod Bracket Assembly
21.	N.A.	Angled Bracket Assembly
22.	57-215287-000	Clamp
23.	57-215285-000	Shaft (3/8" Dia.)
24.	N.A.	Bearing Bracket Assembly
25.	11-125100-001	Hex Nut (#1/4-20)
26.	11-010144-001	Hex Hd. Mach. Screw (#1/4-20 x 2-1/2")
27.	11-616015-000	Switch
28.	11-010509-001	Slted. Hex Hd. Mach. Screw (#4-40 x 3/4")
29.	10-616051-000	Nut Plate (#4-40)
30.	11-199000-001	Lockwasher (#4)
31.	11-617501-000	Insulator
32.	12-100084-000	Spring
33.	12-250011-003	Spacer
34.	11-190014-001	Plain Washer (#3/8)

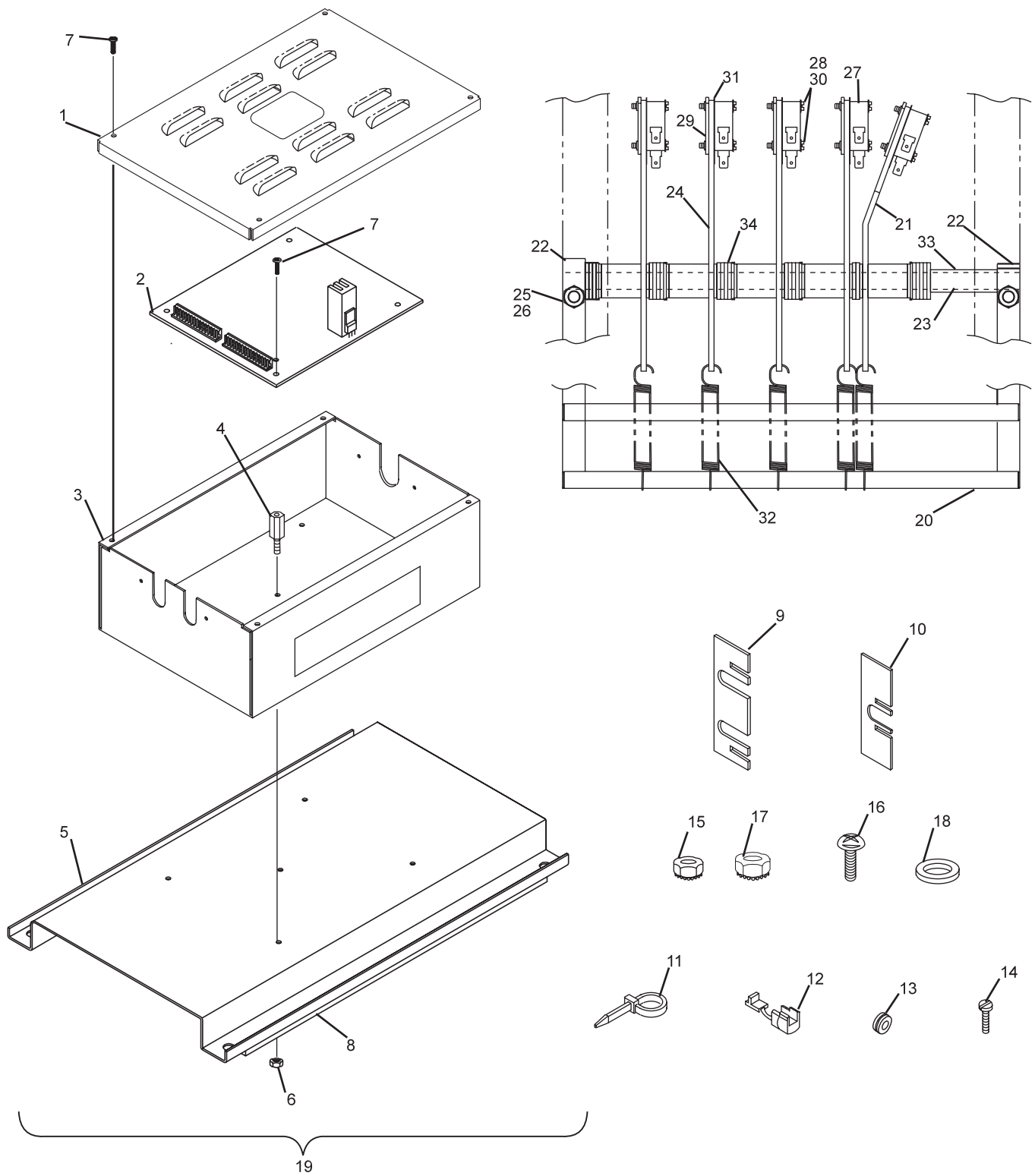
N.A. = No Longer Available

* You must contact Brunswick Customer Service to determine the correct software for your center. Call 1-800-YES-BOWL (1-800-937-2695)

Associated Interconnecting Cables

57-215231-000	Foul Cable Assembly
57-215230-000	Ball Detect Cable Assembly
57-215054-000	AS-80 Lane Data Cable Assembly
57-215267-000	A/P Lane 1 Cable Assembly
57-215266-000	A/P Lane 2 Cable Assembly
57-215265-000	Pin Data Cable Assembly

PinSensor for String Pinsetter Model "M" (5 Pins)



PinSensor for String Pinsetter Model "M" (5 Pins)

Index No.	Part No.	Description
1.	57-860459-402	Package - Model "P" Five Pin String Machine Interface to AS-80 without Scanner (Brunswick Repair/Exchange)
2.	11-679604-000	Vibration Insulator
3.	57-215034-000	Cable Clamp
4.	57-215035-000	Cable Clamp
5.	11-611009-000	Strain Relief Bushing
6.	11-611650-000	Split Bushing
7.	11-012271-001	Pan Hd. C.R. Screw (#6-32 x 5/16")
8.	11-176005-001	Keps Nut (#6-32)
9.	11-603105-000	Cable Tie
10.	11-082125-001	Round Hd. C.R. Self Tapping Screw (#12 x 7/8")
11.	N.A.	Mounting Bracket
12.	N.A.	Enclosure
13.	N.A.	Cover
14.	*57-215299-402	PCB Assembly
15.	11-185353-000	Hex Thd. Standoff (#5-32 x 3/4")
16.	11-012057-001	Pan Hd. C.R. Screw w/ Int. Tooth Lockwasher (#8-32 x 5/16")
17.	11-176007-001	Keps Nut (#8-32)

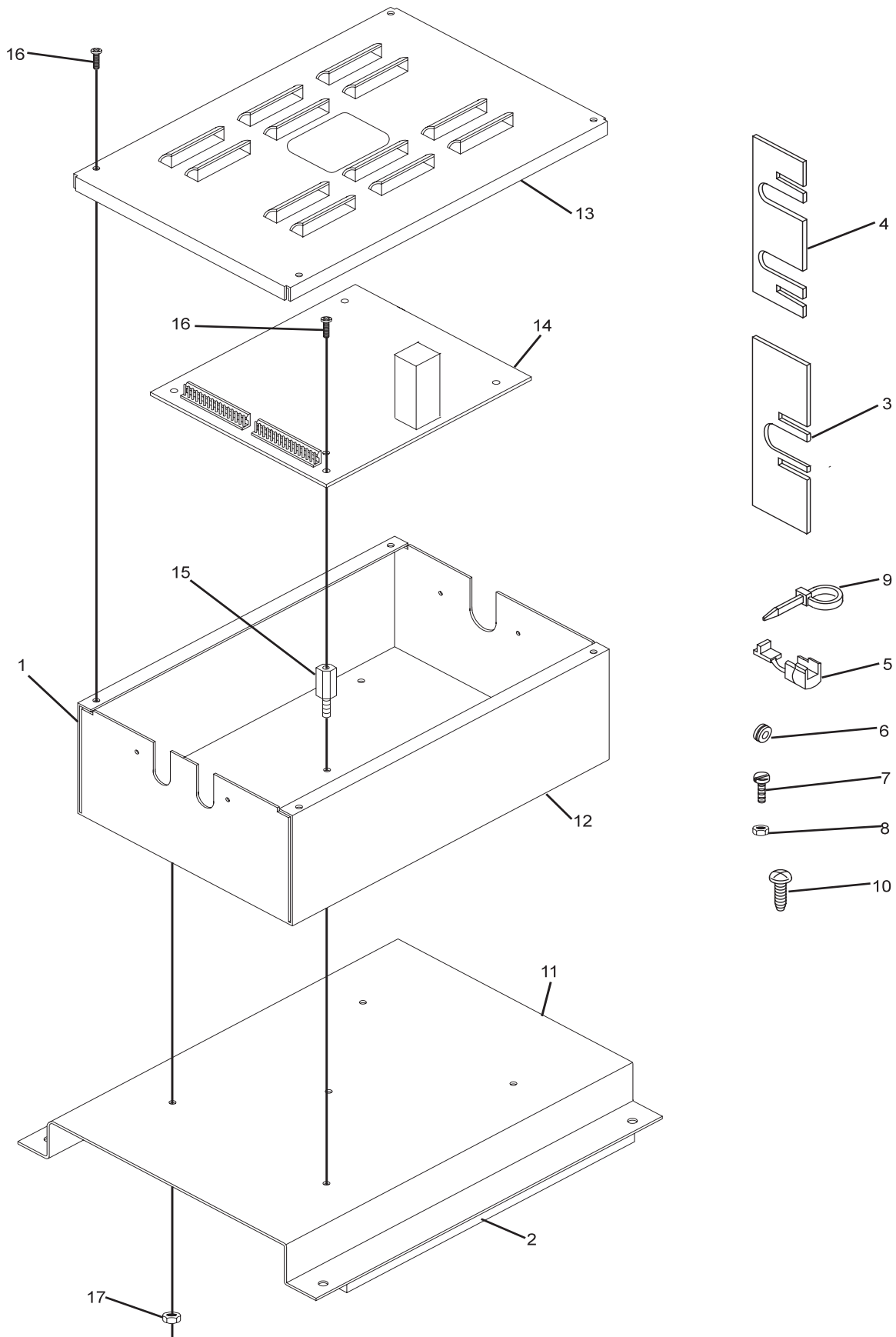
* You must contact Brunswick Customer Service to determine the correct software for your center. Call 1-800-YES-BOWL (1-800-937-2695)

N.A. = No Longer Available

Associated Interconnecting Cables

57-215054-000	Lane Data Cable Assembly
57-215230-000	Ball Detect Cable Assembly
57-215231-000	Foul Cable Assembly
57-215325-000	A/P Cable Assembly
57-215326-000	A/P Control Harness Cable Assembly

PinSensor for String Machine Model "P" (5 Pins)

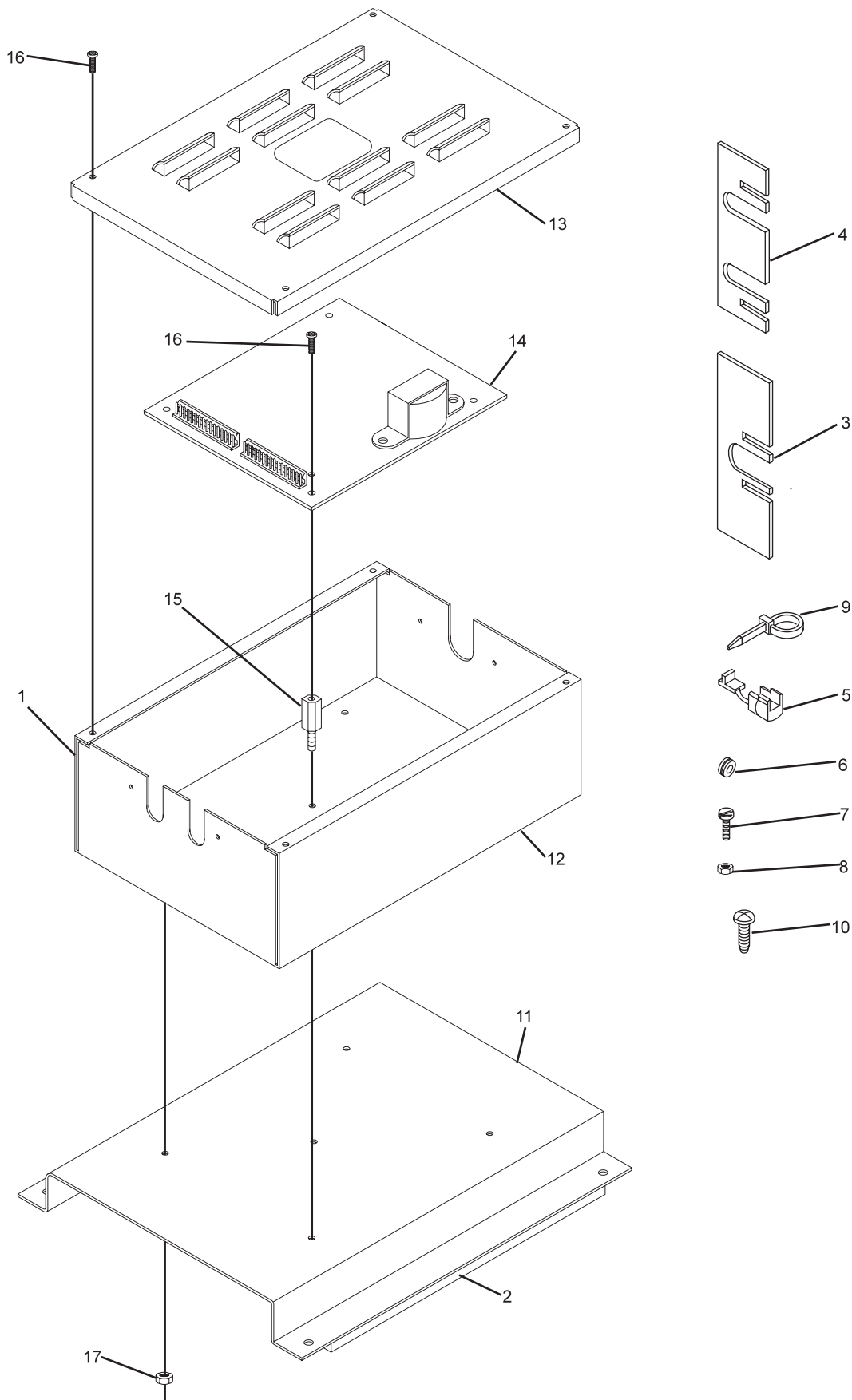


PinSensor for String Machine Model "P" (5 Pins)

Index No.	Part No.	Description
1.	57-860270-400	Package - Duckpin Model "S" 10 Pin String Machine Interface to AS-80 without Scanner (Brunswick Repair/Exchange)
2.	11-679609-000	Vibration Insulator
3.	57-215034-000	Cable Clamp
4.	57-215035-000	Cable Clamp
5.	11-611009-000	Strain Relief Bushing
6.	11-611650-000	Split Bushing
7.	11-012271-001	Pan Hd. C.R. Screw (#6-32 x 5/16")
8.	11-176005-001	Keps Nut (#6-32)
9.	11-603105-000	Cable Tie
10.	11-082125-001	Round Hd. C.R. Self Tapping Screw (#12 x 7/8")
11.	N.A.	Mounting Bracket
12.	N.A.	Enclosure
13.	N.A.	Cover
14.	N.A.	PCB Assembly
15.	11-185353-000	Hex Thd. Standoff (#5-32 x 3/4")
16.	11-012057-001	Pan Hd. C.R. Screw w/ Int. Tooth Lockwasher (#8-32 x 5/16")
17.	11-176007-001	Keps Nut (#8-32)

N.A. = No Longer Available

PinSensor for Duckpin String Machine Model "S" (10 Pins)



PinSensor for Duckpin String Machine Model "S" (10 Pins)

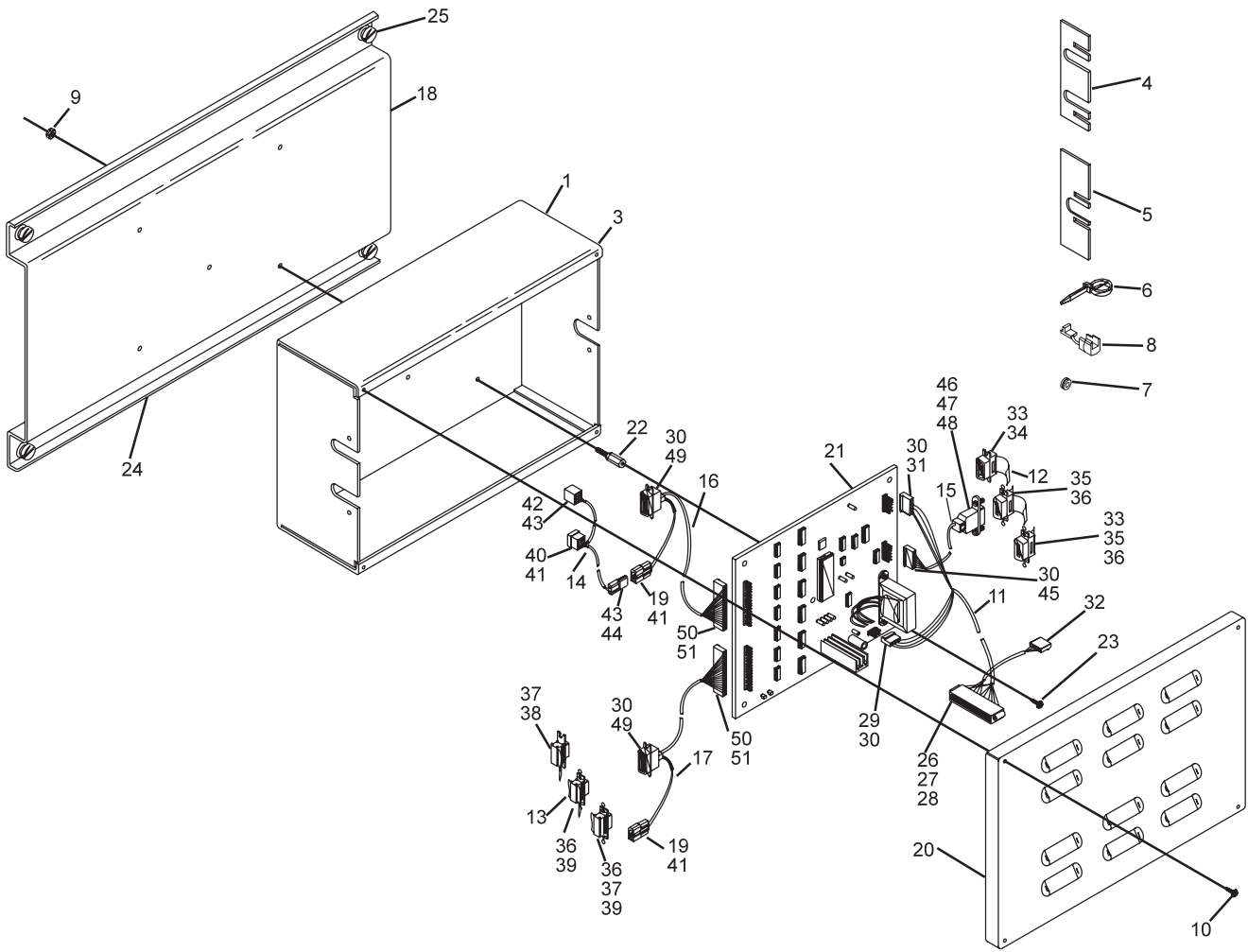
Index No.	Part No.	Description
1.	N.A.	Enclosure Only
2.	*57-860347-000	Cable Package -Scorer to GS-92 Cables
3.	57-860342-401	Interface PCB & Cover Assembly
4.	57-215035-000	Cable Clamp
5.	57-215034-000	Cable Clamp
6.	11-603105-000	Cable Tie
7.	11-611650-000	Split Bushing
8.	11-611009-000	Strain Relief Bushing
9.	11-176007-001	Keps Nut (#8-32)
10.	11-012271-001	C.R. Screw (#6-32 x 5/16")
11.	57-215054-000	A/C to Interface Box Cable Assembly
12.	57-215084-000	Foul & Ball Detect Interface Cable Assembly
13.	N.A.	Switch Data Interface Cable Assembly
14.	57-215086-000	Manager's Control Interface Cable Assembly
15.	57-215087-000	Foul & Ball Detect Cable Assembly
16.	57-215088-000	Left Lane Pin Data Cable Assembly
17.	N.A.	Right Lane Pin Data Cable Assembly
18.	N.A.	Mounting Bracket
19.	N.A.	Plug Connector
20.	N.A.	Cover
21.	**57-860350-401	PCB Assembly
22.	11-185353-000	Hex Head, Threaded Standoff (#8-32 x 3/4")
23.	11-012057-001	Pan Hd. C.R. Screw w/Int. Tooth Lockwasher (#8-32 x 3/4")
24.	11-679604-000	Vibration Insulator
25.	11-601800-000	Quick Lock Stud
26.	11-696801-000	Connector
27.	11-696927-000	Terminal
28.	11-680425-000	Polarizing Key
29.	11-697238-000	Connector
30.	11-680326-000	Terminal
31.	11-697216-000	Connector
32.	57-215236-000	Cable Assembly
33.	N.A.	Strain Relief
34.	11-697333-000	Plug Connector
35.	11-697334-000	Socket Connector
36.	11-697317-000	Bail Lock Kit
37.	11-697321-000	Strain Relief
38.	11-697327-000	Plug Connector
39.	11-697335-000	Socket Connector
40.	N.A.	Connector
41.	11-680302-000	Terminal
42.	11-680218-000	Connector
43.	11-680301-000	Terminal
44.	11-680216-000	Connector
45.	11-697239-000	Connector
46.	11-697328-000	Connector
47.	11-697320-000	Cover
48.	11-697324-000	Champ Lok
49.	N.A.	Connector
50.	11-697331-000	Plug Connector
51.	11-697319-000	Cover

N.A. = No Longer Available

* Not Illustrated

** You must contact Brunswick Customer Service to determine the correct software for your center. Call 1-800-YES-BOWL (1-800-937-2695)

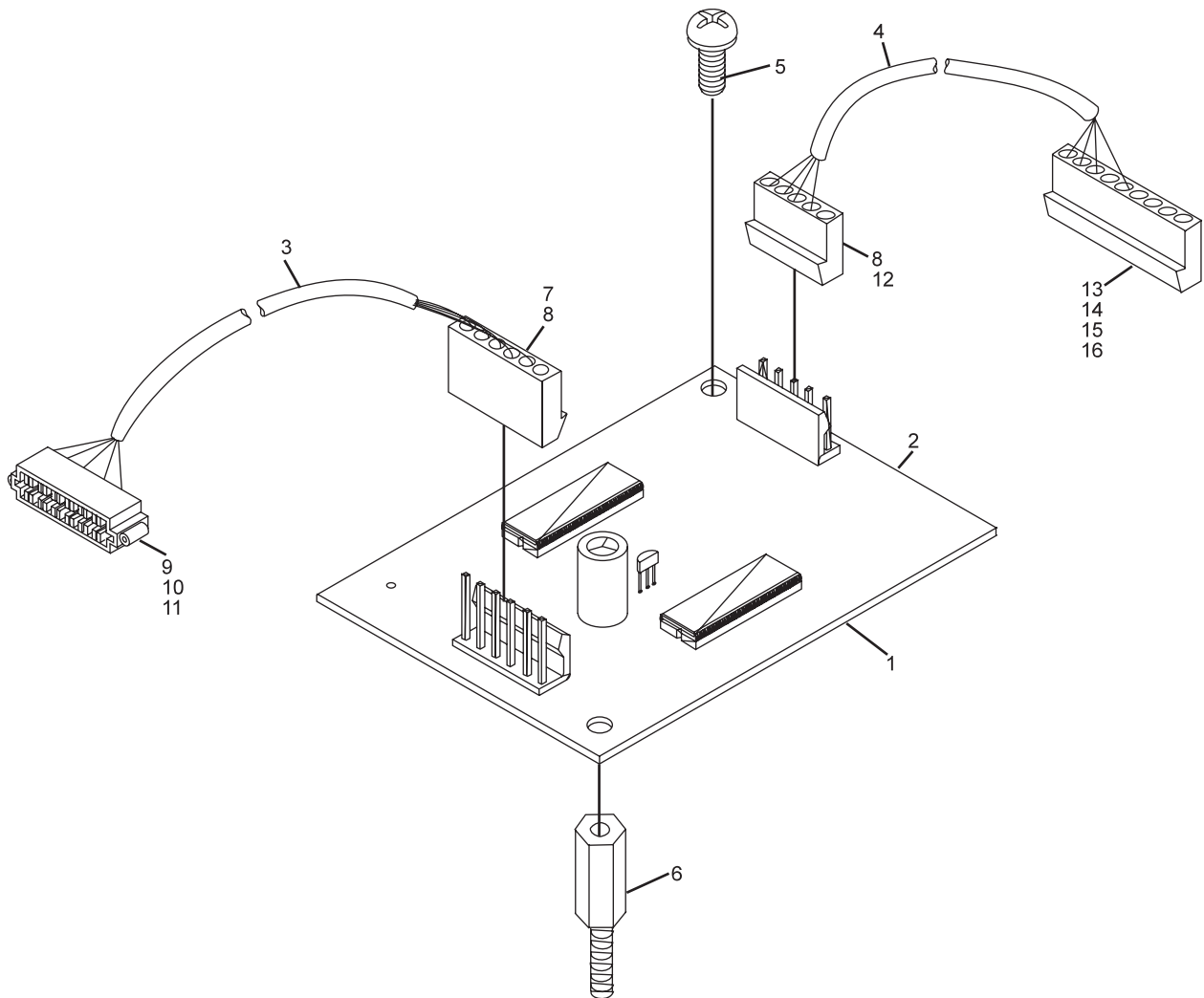
PinSensor for GS-92 Pinsetters



PinSensor for GS-92 Pinsetters

Index No.	Part No.	Description
1.	57-860566-000	AS-90/GS-92 Interface
2.	57-215426-000	AS-90/GS-92 Interface PCB
3.	57-215452-000	AC to AS-90/GS-92 Interface Cable Assembly
4.	57-215453-000	Gamesetter to AS-90 Interface Cable Assembly
5.	11-012022-001	Pan Hd. C.R. Screw (#6-32 x 3/8")
6.	11-185306-000	Standoff (#6-32)
7.	11-697239-000	Connector
8.	11-680326-000	Terminal
9.	11-696801-000	Connector
10.	11-696927-000	Terminal
11.	11-680425-000	Polarizing Key
12.	11-697216-000	Connector
13.	11-680988-000	Screw Retainer
14.	11-680985-000	Connector
15.	11-680981-000	Terminal
16.	11-680996-000	Cover

AS-90/GS-92 Interface



AS-90/GS-92 Interface

Section B

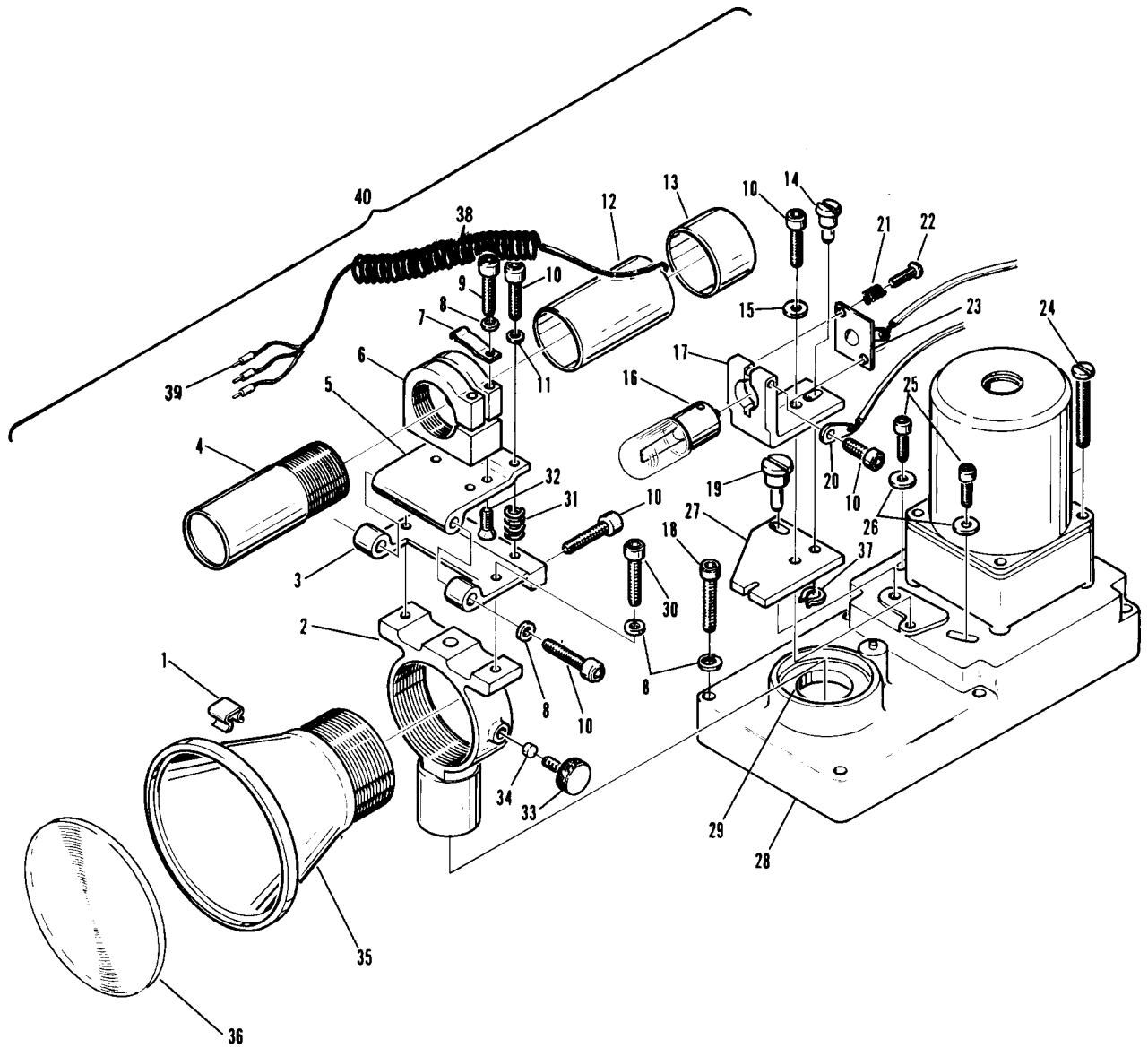
PINSENSING AREA

Index No.	Part No.	Description
1.	17-600521-000	Spring Clip
2.	N.A.	Pivot
3.	17-600516-000	Swivel Base
4.	17-600824-000	Lens Assembly
5.	17-600515-000	Pivot Base
6.	17-600514-000	Clamp
7.	17-600605-000	Cable Clamp
8.	11-195008-001	Lockwasher (#8)
9.	11-003083-001	Hex Hd. Cap Screw (#8-32 x 7/8")
10.	11-003082-001	Hex Hd. Cap Screw (#8-32 x 3/4")
11.	11-190004-001	Plain Washer (#8)
12.	17-600502-091	Photocell Tube Assembly
13.	17-600543-000	Cap
14.	17-600540-000	Adjusting Screw (Lateral)
15.	N.A.	Spring Washer (#8)
16.	17-600914-000	Lamp (#1876)
17.	17-600539-000	Lamp Support
18.	11-003084-001	Hex Hd. Cap Screw (#8-32 x 1")
19.	N.A.	Adjusting Screw (Longitudinal)
20.	11-611501-000	Solder Lug
21.	17-600803-000	Spring
22.	11-013009-001	Pan Hd. Screw (#4-40 x 3/4")
23.	17-600801-000	Lamp Contact Assembly
24.	11-013069-001	Pan Hd. Screw (#8-32 x 1-3/4")
25.	11-050102-001	Hex Socket Hd. Cap Screw (#4-40 x 7/16")
26.	N.A.	Special Plain Washer
27.	N.A.	Base
28.	17-600503-000	Drive Housing Only
29.	11-430007-000	Bearing
30.	11-003078-001	Hex Socket Hd. Screw (#8-32 x 1/2")
31.	11-581007-000	Spring
32.	1-008062-001	Hex Skt. Hd. Cap Screw w/Nylok Washer (#8-32 x 3/8")
33.	N.A.	Thumb Screw (1/4-28)
34.	N.A.	Urethane Plug
35.	17-600518-000	Lens Holder
36.	17-600827-000	Red Lens
37.	11-538001-000	Bowed E-Ring
38.	*17-600913-010	Photocell Cable Assembly
39.	11-617102-000	Terminal
40.	N.A.	Scanner Assembly - Complete (Brunswick Repair/Exchange)

*Does not include board or phototransistor.

N.A. = No Longer Available

Model 79 Scanner Assembly



**Model 79
Scanner Assembly**

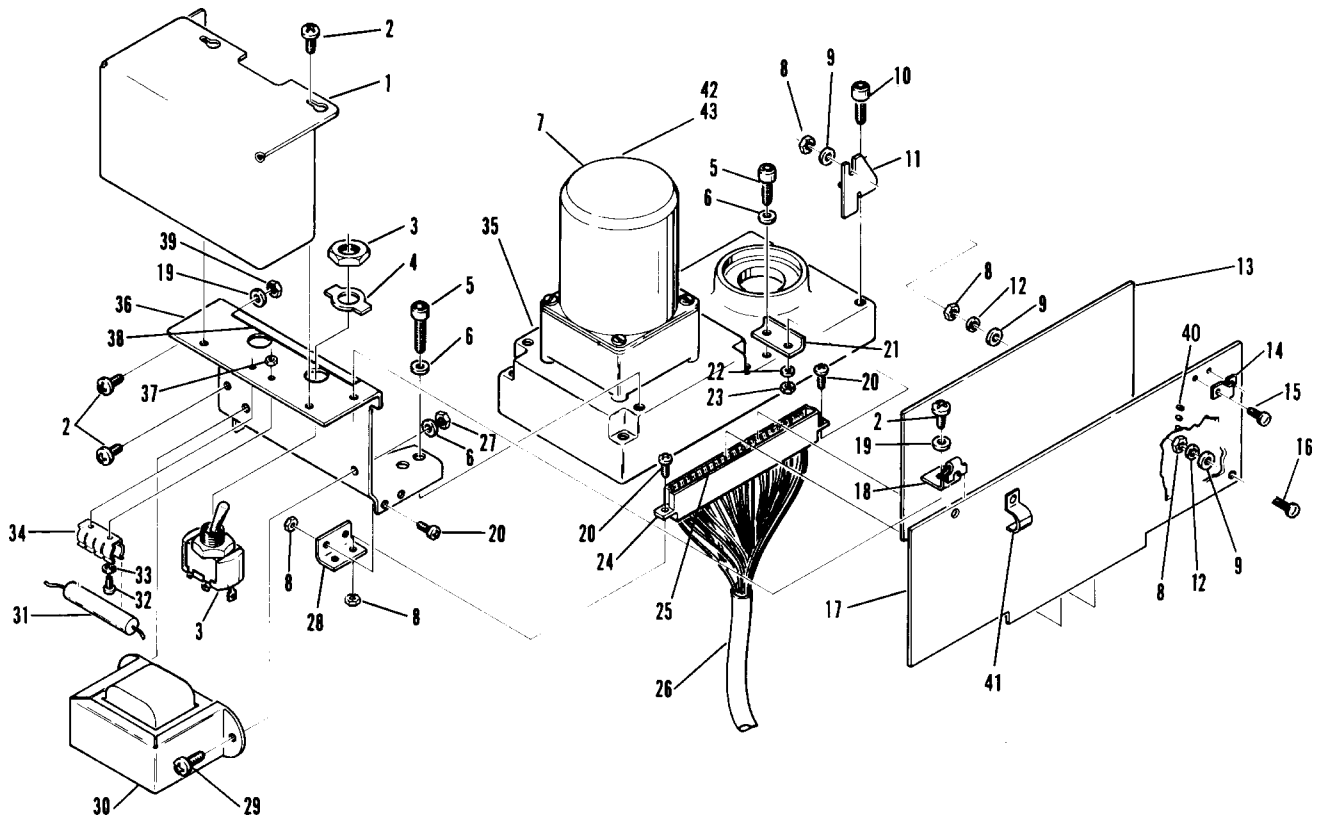
Index No.	Part No.	Description
1.	17-600716-000	Power Supply Cover
2.	11-012270-001	Pan Hd. C.R. Screw (#6-32 x 1/4")
3.	11-615509-000	Toggle Switch
4.	11-616602-000	Indicating Plate (On-Off)
5.	11-003075-001	Hex Skt Hd. Cap Screw (#8-32 x 5/16")
6.	11-195008-001	Lock Washer (#8)
7.	N.A.	Gear Motor
8.	11-125000-001	Hex Nut (#4-40)
9.	11-190000-001	Plain Washer (#4)
10.	11-003084-001	Hex Skt. Hd. Cap Screw (#8-32 x 1")
11.	17-600779-000	Support
12.	11-195004-001	Lockwasher (#4)
13.	N.A.	Shield
14.	11-619052-000	Wire Clamp
15.	11-083041-001	Round Hd. Self Tapping Screw (#4 x 1/4")
16.	11-013008-001	Pan Hd. Screw (#4-40 x 5/8")
17.	17-860427-012	Scanner PCB Assembly (Brunswick Repair/Exchange)
18.	17-600599-000	Speed Clip
19.	11-195006-001	Lock Washer (#6)
20.	11-012254-001	Pan Hd. C.R. Screw (#4-40 x 3/8")
21.	17-600536-000	Angle Bracket
22.	N.A.	Internal Tooth Lock Washer (#4)
23.	11-170000-001	Self Locking Nut (#4-40)
24.	11-680255-000	Connector
25.	11-680303-000	Terminal
26.	17-600717-000	Cable Assembly
27.	11-125003-001	Hex Nut (#8-32)
28.	N.A.	Angle Bracket
29.	11-012308-001	Pan Hd. C.R. Screw (#8-32 x 3/8")
30.	17-600513-000	Transformer Assembly
31.	11-692505-000	Wirebound Resistor 100 Ohms
32.	N.A.	Pan Hd. Screw (#2-56 x 1/4")
33.	11-195002-001	Lock Washer (#2)
34.	17-600609-000	Mounting Clip
35.	17-600503-000	Drive Housing
36.	17-600551-000	Power Supply Bracket
37.	11-124105-000	Electrical Hex Nut (#2-56)
38.	17-600750-000	Power Supply Decal
39.	11-125001-001	Hex Nut (#6-32)
40.	11-617101-000	Terminal
41.	17-600837-000	"C" Clamp
42.	17-600535-002	Gear Head Only
43.	17-600535-003	Motor Only

N.A. = No Longer Available

Associated Interconnecting Cables

57-214165-000 Scanner to New Pins Solenoid Cable Assembly

Model 79 Scanner Assembly

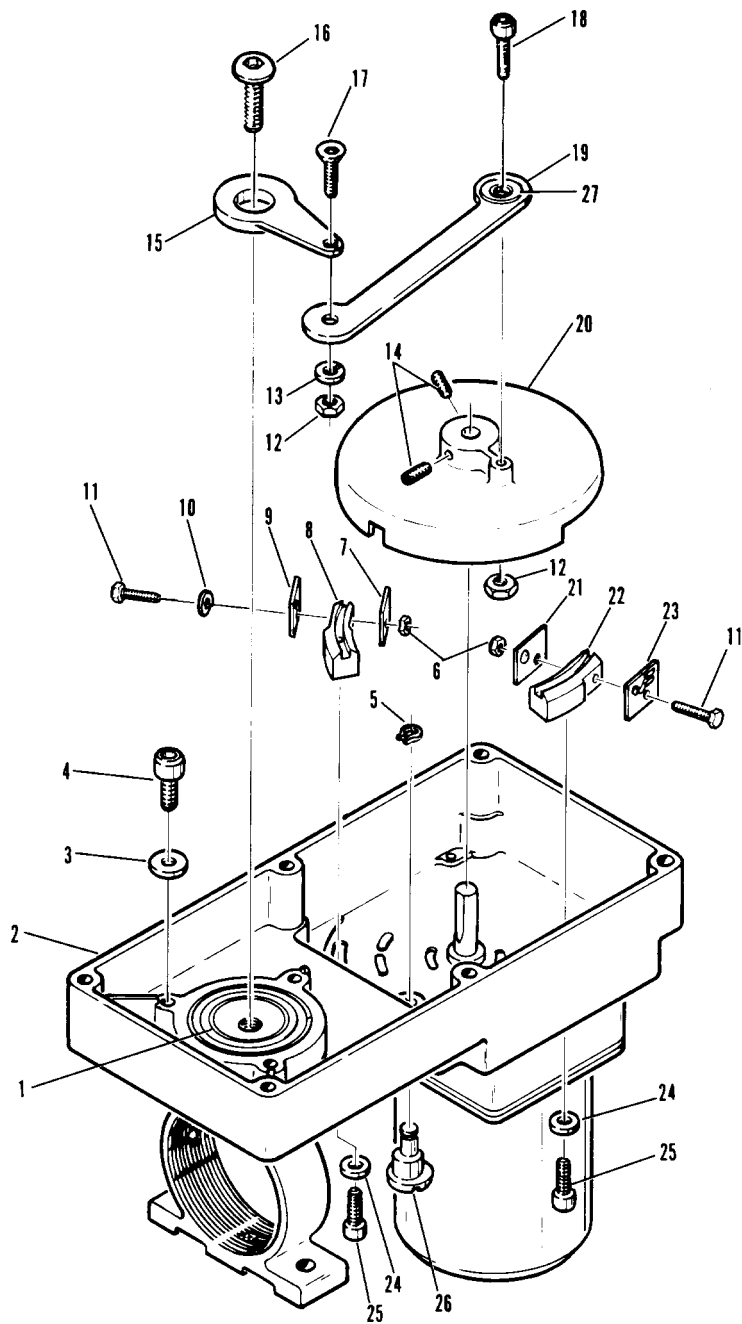


**Model 79
Scanner Assembly**

Index No.	Part No.	Description
1.	11-430007-000	Bearing
2.	17-600503-000	Drive Housing only
3.	11-190004-001	Plain Washer (#8)
4.	11-003075-001	Hex Hd. Skt. Cap Screw (#8-32 x 5/16")
5.	11-538001-000	Bowed E-Ring
6.	11-124105-000	Electrical Hex Nut (#2-56)
7.	17-860426-003	LED PCB Assembly
8.	17-600531-000	L.H. Segment
9.	17-860426-004	Phototransistor PCB Assembly
10.	11-195002-001	Lockwasher (#2)
11.	11-013242-001	Pan Hd. Screw (#2-56 x 5/8")
12.	11-125013-001	Hex Nut (#5-40)
13.	11-195005-001	Lockwasher (#5)
14.	11-101526-001	Set Screw (#8-32 x 1/4")
15.	N.A.	Crank
16.	11-006180-001	B. Skt. Hd. Cap Screw (1/4-20 x 5/8")
17.	11-008004-001	F. Skt Hd. Cap Screw (#5-40 x 1/2")
18.	11-005858-001	H. Skt. Hd. Cap Screw (#5-40 x 3/4")
19.	17-600800-054	Drive Link Assembly
20.	17-600715-000	Drive Wheel
21.	17-860426-005	LED PCB Assembly
22.	17-600530-000	R.H. Segment
23.	17-860426-006	Phototransistor PCB Assembly
24.	N.A.	Plain Washer
25.	11-050102-001	H. Skt. Hd. Cap Screw (#4-40 x 7/16")
26.	N.A.	Adjusting Screw (Longitudinal)
27.	11-501008-000	Bearing

N.A. = No Longer Available

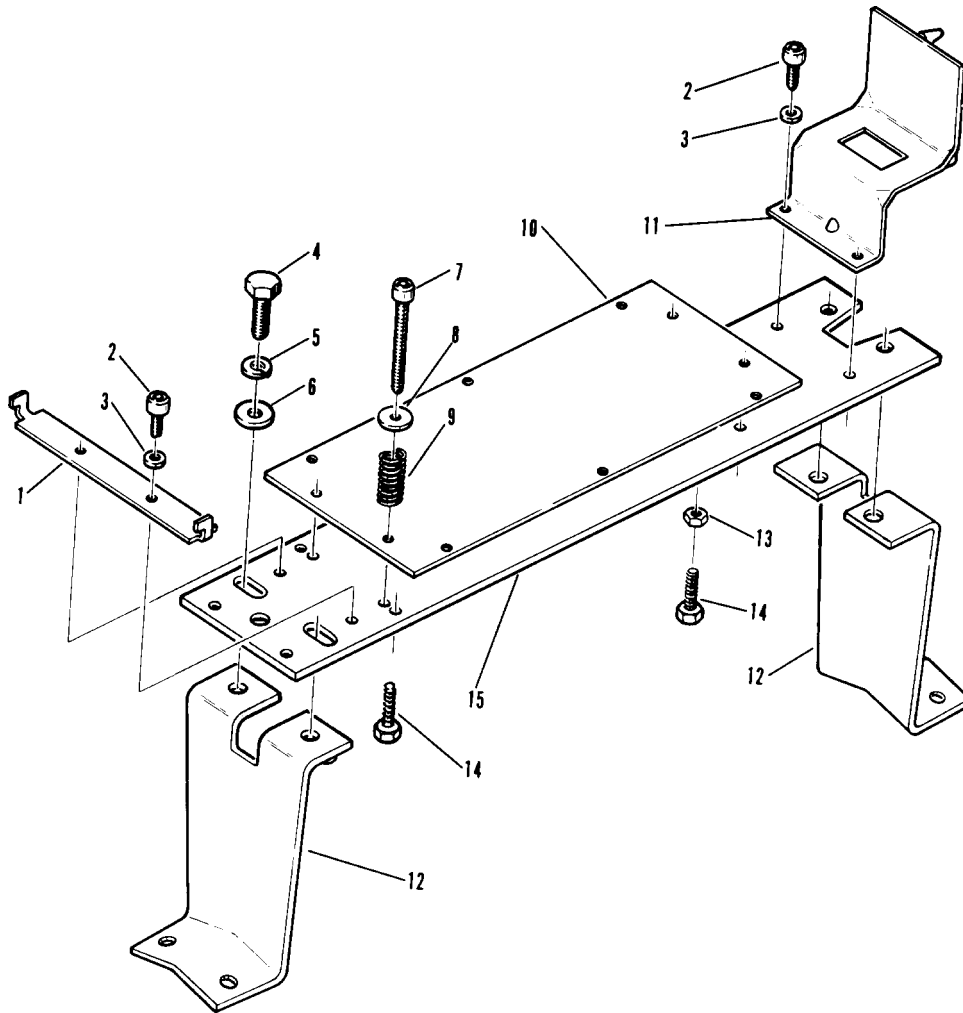
Model 79 Drive Housing Assembly



**Model 79
Drive Housing Assembly**

Index No.	Part No.	Description
1.	17-600566-000	Cover Mounting Bracket
2.	11-003075-001	Hex Skt. Hd. Cap Screw (#8-32 x 5/16")
3.	11-195008-001	Lockwasher (#8)
4.	11-001180-001	Hex Hd. Cap Screw (1/4-20 x 5/8")
5.	11-195014-001	Lockwasher (1/4)
6.	11-190010-001	Plain Washer (1/4)
7.	11-005073-001	Hex Skt. Hd. Cap Screw (#8-32 x 1-1/2")
8.	11-190004-001	Plain Washer (#8)
9.	11-581008-000	Spring
10.	17-600525-000	Mounting Plate
11.	17-600550-000	Support and Pin Assembly
12.	17-600805-002	Support Bracket (4")
	17-600805-003	Support Bracket (1-1/2")
13.	11-125003-001	Hex Nut (#8-32)
14.	11-001027-001	Hex Hd. Cap Screw (#8-32 x 3/4")
15.	17-600804-000	Support Base

**Model 79
Scanner Mount Assembly**

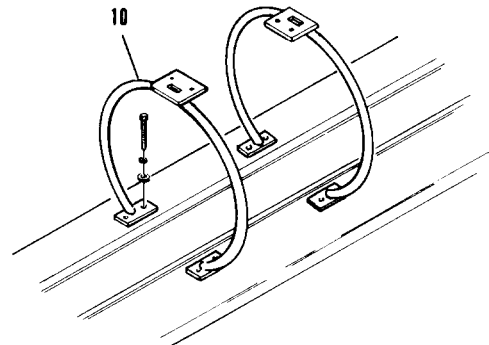
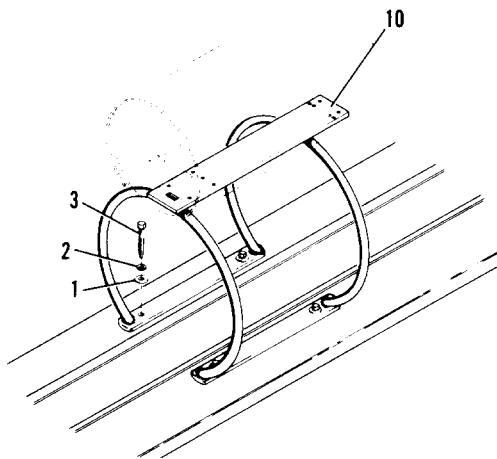
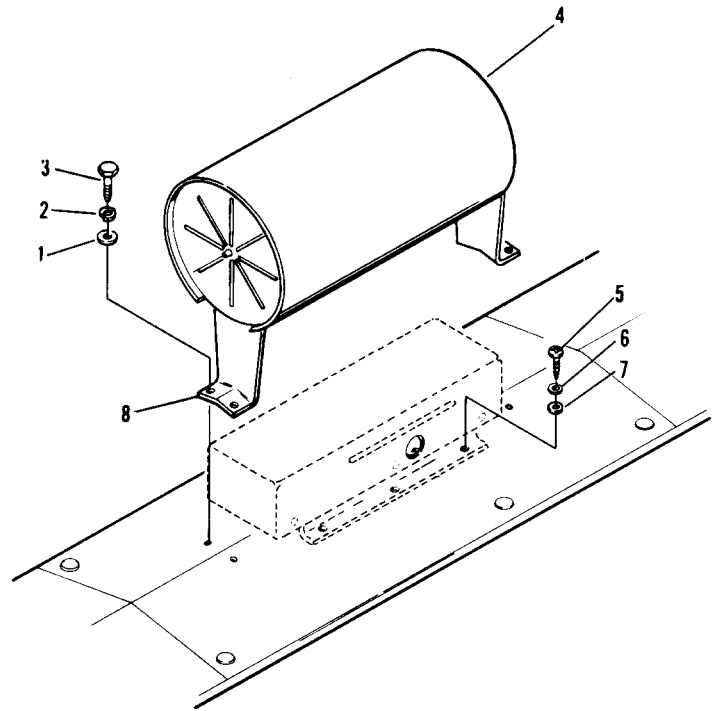
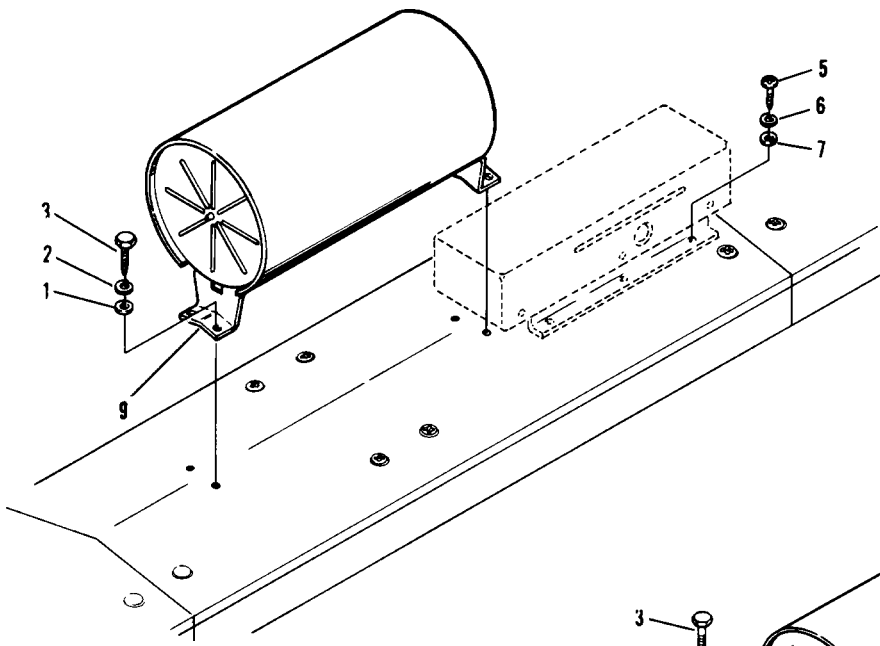


**Model 79
Scanner Mount Assembly**

Index No.	Part No.	Description
1.	11-191010-001	Plain Washer (1/4)
2.	11-195014-001	Lockwasher (1/4)
3.	11-070522-001	Hex Hd. Lag Screw (1/4 x 1-1/4")
4.	N.A.	Tube Assembly (Astroline Grey)
	17-600565-010	Tube Assembly (B-2000 Brown)
5.	11-042564-001	Round Hd. C.R. Wood Screw (#10 x 3/4")
6.	11-195010-001	Lockwasher (#10)
7.	11-190006-001	Plain Washer (#10)
8.	17-600805-002	Scanner Support Bracket - Subway (4")
9.	17-600805-003	Scanner Support Bracket - Concealed Surface (1-1/2")
10.	17-600807-000	Scanner Support (Brunswick Surface)
	17-600808-000	Scanner Support (AMF Surface)

N.A. = No Longer Available

**Model 79
Scanner Cover Assemblies**



**Model 79
Scanner Cover Assemblies**

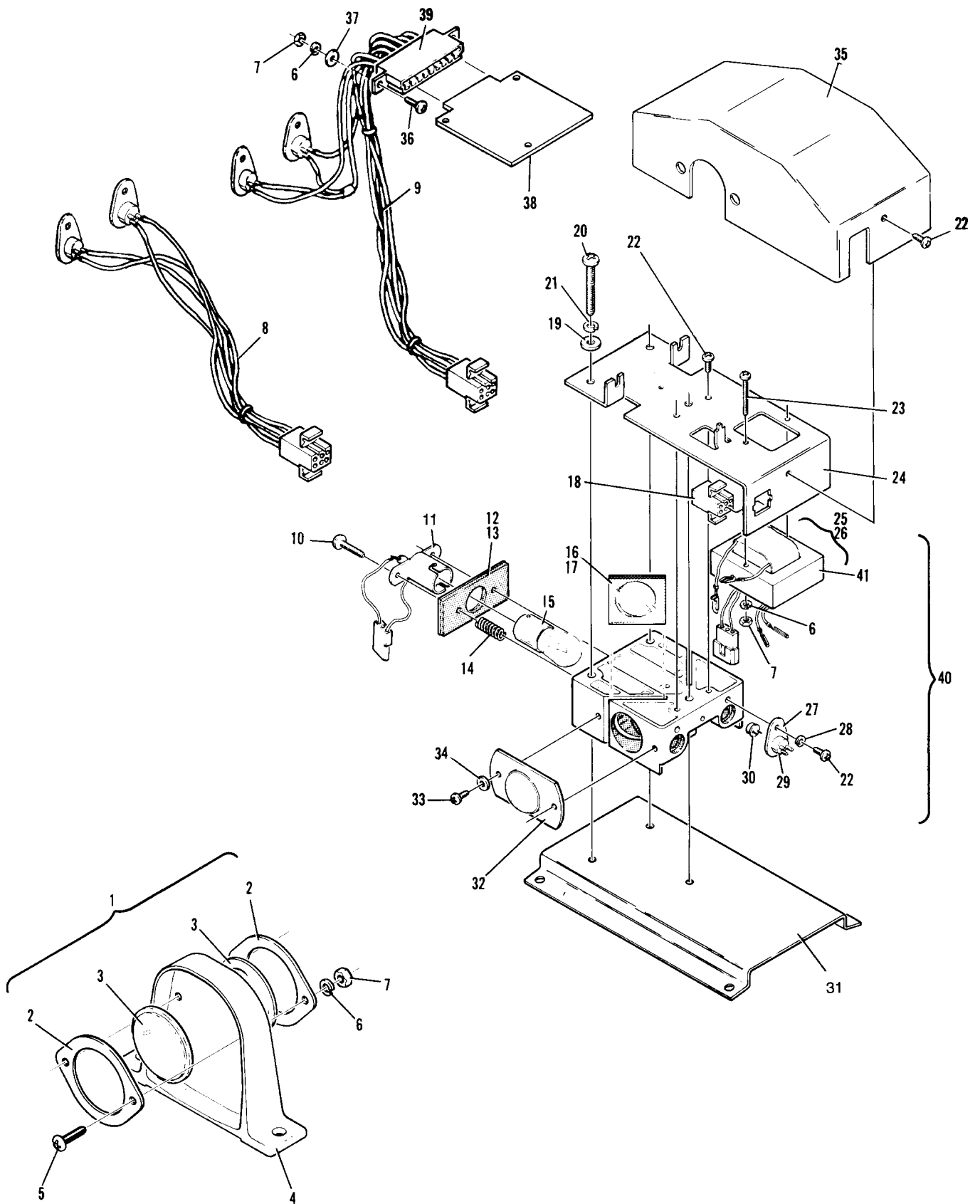
Index No.	Part No.	Description
1.	17-600771-000	Reflector Assembly - Complete
2.	17-600773-000	Plate
3.	53-600101-000	Reflector
4.	17-600770-000	Reflector Housing
5.	11-013007-001	Pan Hd. Screw (#4-40 x 9/16")
6.	11-195004-001	Lockwasher (#4)
7.	11-125000-001	Hex Nut (#4-40)
8.	57-214314-000	Ball Detector Harness Assembly (AS-80 Scorer System)
9.	N.A.	Ball Detector Harness Assembly (I.C. Scorer System)
10.	11-012277-001	Pan Hd. Screw (#6-32 x 3/4")
11.	53-600097-051	Socket and Connector Assembly
12.	53-600033-000	Cover Plate
13.	53-600037-000	Seal
14.	53-600105-000	Spring
15.	11-675514-002	Lamp
16.	53-600062-000	Seal
17.	53-600063-000	Mirror
18.	11-680207-000	Receptacle
19.	11-190006-001	Plain Washer (#10)
20.	N.A.	Pan Hd. Screw (#10-24 x 1-1/2")
21.	11-195010-001	Lockwasher (#10)
22.	11-012270-001	Pan Hd. Screw (#6-32 x 1/4")
23.	11-012261-001	Pan Hd. Screw (#4-40 x 1")
24.	17-600576-000	Base
25.	N.A.	Transformer Assembly (I.C. Scorer System)
26.	57-214310-000	Transformer Assembly (AS-80 Scorer System)
27.	53-600067-000	Bracket
28.	11-195006-001	Lockwasher (#6)
29.	53-600060-000	Mount
30.	53-600059-000	Photocell
31.	17-600764-000	Ball Detector Support Assembly
32.	53-600047-000	Lens Assembly
33.	11-012271-001	Pan Hd. Screw (#6-32 x 5/16")
34.	11-190002-001	Washer (#6)
35.	17-600769-000	Ball Detector Cover
36.	11-107004-001	Round Hd. Screw (#4-40 x 3/8")
37.	11-190000-001	Plain Washer (#4)
38.	N.A.	Printed Circuit Board (I.C. Scorer System)
39.	N.A.	Connector (I.C. Scorer System)
40.	57-860078-000	Ball Detector Assembly - Complete (AS-80 Scorer System) (Brunswick Repair/Exchange)
41.	17-600577-000	Transformer

N.A. = No Longer Available

Associated Interconnecting Cables

57-214313-000	Ball Detect to D/A Box Cable Assembly (Surface Return)
---------------	--

Model 79 Ball Detector and Reflector Assemblies



**Model 79
Ball Detector and Reflector Assemblies**

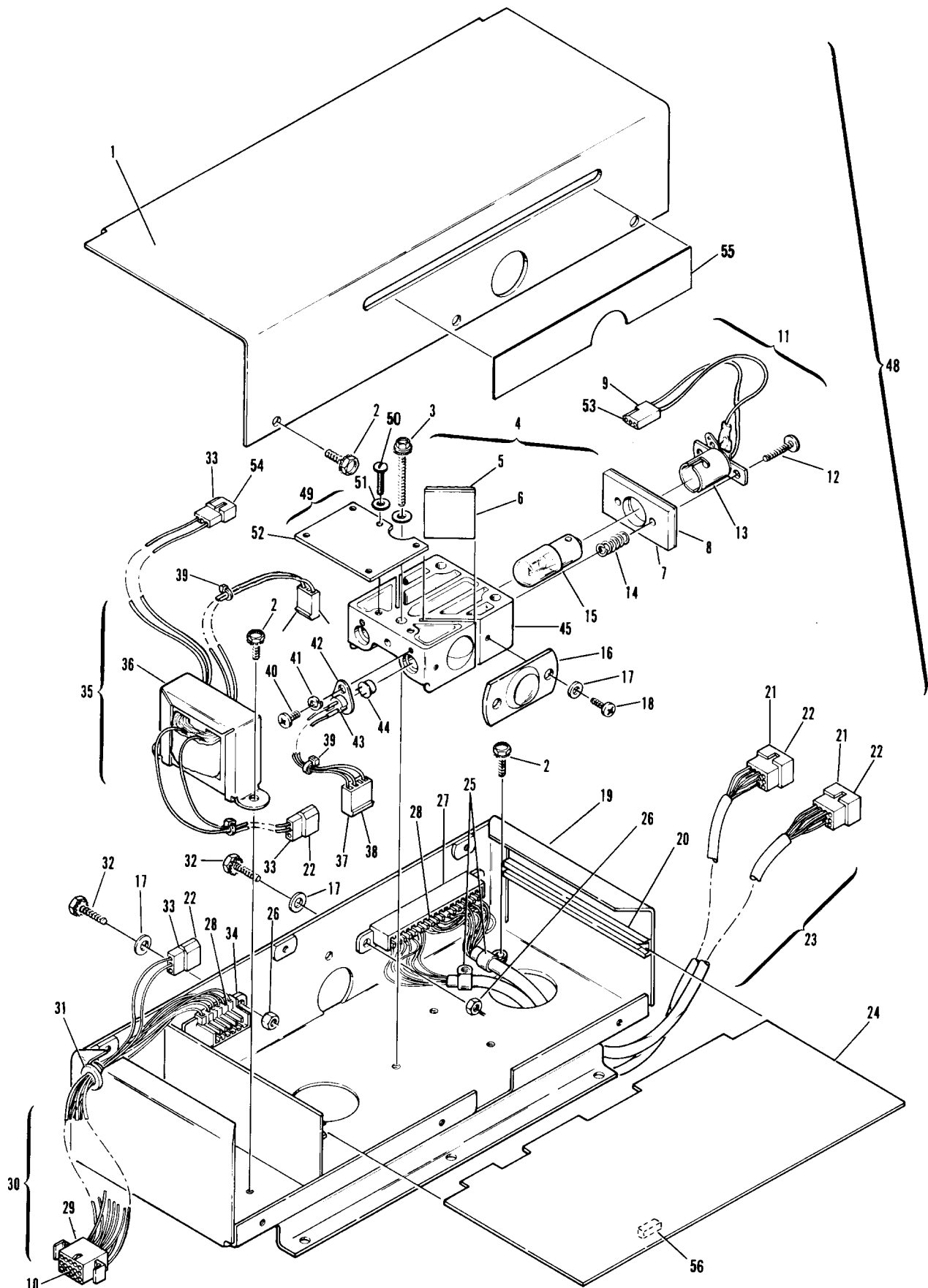
Index No.	Part No.	Description
1.	57-214045-000	Housing Cover
2.	11-015121-001	Hex Hd. Sems Screw (#8-32 x 3/8")
3.	11-015133-001	Hex Hd. Sems Screw (#8-32 x 1-1/2")
4.	53-600065-000	Optical Head Assembly - Complete (Brunswick Repair/Exchange)
5.	53-600062-000	Mirror Seal
6.	53-600063-000	Mirror Only
7.	53-600033-000	Cover Plate
8.	53-600037-000	Adjusting Seal
9.	11-680201-000	Receptacle
10.	11-680301-000	Terminal
11.	53-600097-051	Socket and Connector Assembly
12.	11-012277-001	Pan Hd. C.R. Screw (#6-32 x 3/4")
13.	53-600096-000	Socket Only
14.	53-600105-000	Spring
15.	11-675514-002	Lamp (#1876)
16.	53-600047-000	Lens Assembly
17.	11-190002-001	Plain Washer (#6)
18.	11-012271-001	Pan Hd. C.R. Screw (#6-32 x 5/16")
19.	57-214043-000	Housing Only
20.	11-613102-000	Card Guide
21.	11-680108-000	Connector
22.	11-680302-000	Terminal
23.	57-214154-000	Cable Assembly (Brunswick)
	N.A.	Cable Assembly (AMF)
24.	57-860036-000	Data Acquisition PCB Assembly (Brunswick Repair/Exchange)
25.	11-604104-000	Cable Clamp (5/16")
26.	11-125001-001	Hex Nut (#6-32)
27.	11-696791-000	Edge Connector
28.	11-696785-000	Terminal
29.	11-680209-000	Receptacle
30.	57-214165-000	A/P Interface to Scanner Cable Assembly
31.	N.A.	Grommet (1/4)
32.	11-015043-001	Hex Hd. Sems Screw (#6-32 x 1/2")
33.	11-680101-000	Connector
34.	11-696777-000	Connector
35.	57-214167-000	Transformer Assembly - Complete
36.	11-697104-000	Transformer Only
37.	11-697202-000	Connector
38.	11-680322-000	Terminal
39.	11-603108-000	Cable Tie
40.	11-012270-001	Pan Hd. C.R. Screw (#6-32 x 1/4")
41.	11-195006-001	Lockwasher (#6)
42.	53-600067-000	Photocell Bracket
43.	53-600060-000	Photocell Mount
44.	53-600059-000	Photocell Only
45.	53-600057-000	Housing Block
46.	11-190004-001	Plain Washer (#8)
47.	11-697201-000	Connector
48.	57-860017-002	Data Acquisition Box - Complete
49.	N.A.	Ball Detect Kit - Complete (Brunswick Repair/Exchange)
50.	11-013022-001	Screw (#6-32 x 3/8")
51.	11-190548-001	Plain Washer
52.	57-860137-000	Ball Detect PCB Assembly
53.	11-680306-000	Terminal
54.	11-680307-000	Terminal
55.	57-214339-000	Decal
56.	11-615180-000	Switch

N.A. = No Longer Available

Associated Interconnecting Cables

57-214153-000 A/C PCB, Foul Unit to A/P Interface Cable Assembly

Model 79 Data Acquisition Box Assembly



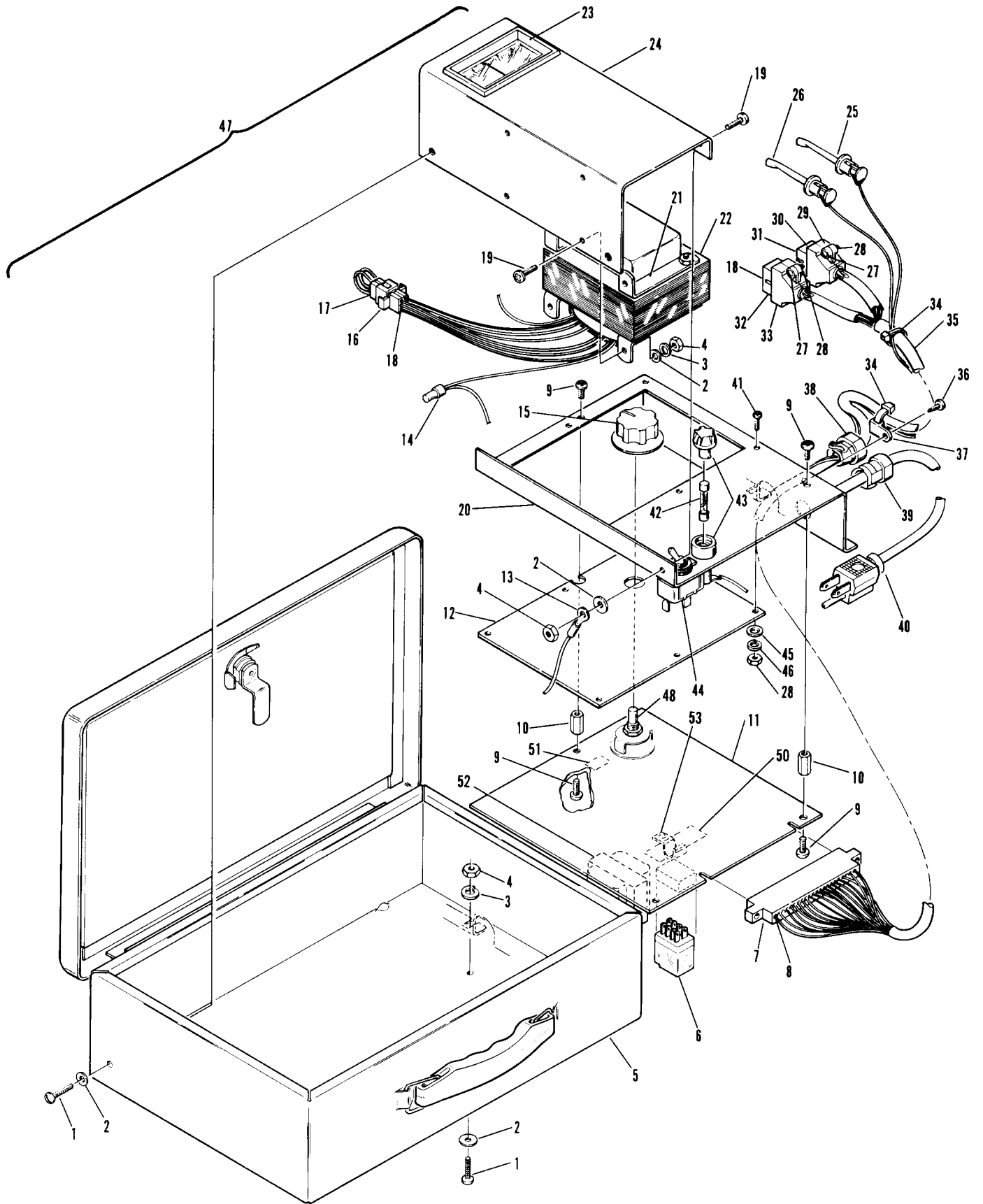
**Model 79
Data Acquisition Box Assembly**

Index No.	Part No.	Description
1.	11-107068-001	Round Hd. Screw (#8-32 x 3/4")
2.	11-190004-001	Plain Washer (#8)
3.	11-195008-001	Lock Washer (#8)
4.	11-125003-001	Hex Nut (#8-32)
5.	N.A.	Box Only
6.	11-672650-000	Relay
7.	11-614601-000	Connector
8.	11-612777-000	Contact
9.	11-012272-001	Pan Hd. C.R. Screw (#6-32 x 3/8")
10.	17-600906-009	Standoff
11.	N.A.	PCB Assembly
12.	17-600906-019	Display Lens
13.	11-612007-000	Connector
14.	11-609502-000	Wire Connector
15.	17-600906-006	Knob
16.	11-680207-000	Receptacle
17.	53-600119-003	Plug Assembly - 115 Volt
18.	11-680301-000	Terminal
19.	N.A.	Pan Hd. C.R. Screw (#8-32 x 1/2")
20.	N.A.	Display Faceplate
21.	17-600906-027	Bracket
22.	17-600732-000	Transformer Assembly
23.	17-600906-007	Meter
24.	N.A.	Meter Faceplate
25.	17-600906-010	Red Test Probe
26.	17-600906-011	Black Test Probe
27.	11-012254-001	Round Hd. C.R. Screw (#4-40 x 3/8")
28.	11-125000-001	Hex Nut (#4-40)
29.	N.A.	Strain Relief
30.	N.A.	Connector
31.	11-680302-000	Terminal
32.	11-680209-000	Receptacle
33.	17-600906-005	Strain Relief
34.	11-603108-000	Cable Tie
35.	17-600906-022	Wire Harness Assembly
36.	N.A.	Pan Hd. C.R. Self Tapping Screw (#8 x 5/8")
37.	11-603125-000	Mounting Plate
38.	11-611011-000	Strain Relief Bushing
39.	11-611009-000	Strain Relief Bushing
40.	17-213801-000	Cord Set Assembly
41.	11-012253-001	Pan Hd. C.R. Screw (#4-40 x 5/16")
42.	11-684005-000	Fuse (3 Amp)
43.	53-600056-000	Fuse Holder
44.	11-615506-000	Toggle Switch
45.	11-190000-001	Plain Washer (#4)
46.	11-195004-001	Lockwasher (#4)
47.	17-860514-000	Scanner Tester - Complete (Brunswick Repair/Exchange)
48.	17-600906-008	Rotary Switch
49.	*17-900247-000	Scanner Tester Manual
50.	17-600906-025	Fish Paper (3" x 1")
51.	17-600906-026	Fish Paper (1-1/4" x 1/2")
52.	53-600128-000	Transformer
53.	N.A.	"C" Clamp

*Not Illustrated

N.A. = No Longer Available

Model 79 Scanner Tester Assembly



**Model 79
Scanner Tester Assembly**

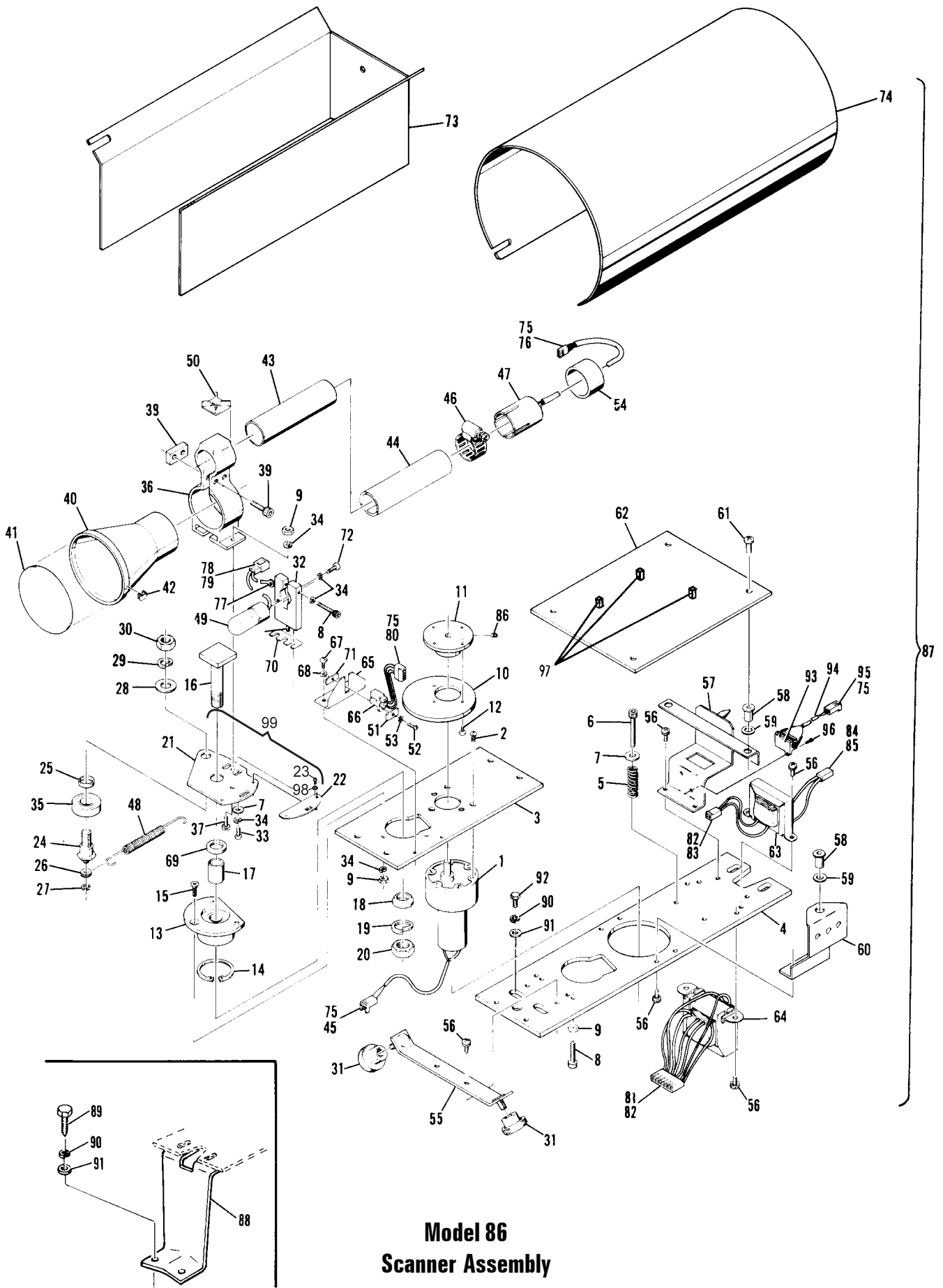
Index No.	Part No.	Description	Index No.	Part No.	Description
1.	57-860261-000	Motor Assembly (includes index nos. 75 & 45)	51.	10-616059-000	Backing Plate
2.	11-052458-001	Flat Hd. Screw (3mm x 6mm)	52.	11-013005-001	Pan Hd. Screw (#4-40 x 7/16")
3.	N.A.	Mounting Plate	53.	11-195004-001	Lockwasher (#4)
4.	57-214657-000	Support Base	54.	17-600543-000	Cap
5.	11-581008-000	Spring	55.	57-214693-000	Mount
6.	11-005073-001	Skt Hd. Screw (#8-32 x 1-1/2")	56.	11-012057-001	Pan Hd. Screw w/ Lockwasher (#8-32 x 5/16")
7.	11-190004-001	Washer (#8)	57.	57-214688-000	Support and Pin Assembly
8.	11-005069-001	Skt. Hd. Screw (#8-32 x 1")	58.	11-135501-001	Well Nut
9.	11-125003-001	Hex Nut (#8-32)	59.	N.A.	Nylon Washer
10.	57-214652-000	Cam	60.	57-214687-000	Bracket
11.	57-214681-000	Cam Hub	61.	11-013026-001	Pan Hd. Screw (#6-32 x 5/8")
12.	11-006036-001	Button Hd. Skt. Screw (#6-32 x 1/4")	62.	57-860237-401	Printed Circuit Board (Brunswick Repair/Exchange)
13.	57-214672-000	Bearing Housing	63.	57-860260-000	Transformer Assembly (includes index nos. 82,83, 84 & 85)
14.	11-531505-001	Retaining Ring	64.	57-860259-000	Transformer Assembly (includes index nos. 81 & 82)
15.	N.A.	Flat Hd. Skt. Screw (#8-32 x 7/16")	65.	57-214954-000	Bracket
16.	57-214678-000	Bearing Stud	66.	57-214966-000	Interrupt Cable Assembly (includes index nos. 75 & 80)
17.	57-214673-000	Spacer	67.	11-013020-001	Pan Hd. Screw (#6-32 x 1/4")
18.	57-214674-000	Spacer	68.	11-195006-001	Lockwasher (#6)
19.	11-195017-001	Lock Washer (7/16)	69.	57-214955-000	Spacer
20.	11-125106-001	Hex Nut (7/16-14)	70.	57-214958-000	Shim
21.	57-214965-000	Plate	71.	10-616060-000	Nut Plate
22.	57-214947-000	Plate	72.	11-012308-001	Pan Hd. Screw (#8-32 x 3/16")
23.	11-021011-001	Screw (#2-56 x 3/16")	73.	57-214926-000	Base
24.	57-214677-000	Cam Follower Stud	74.	57-214696-000	Tube Assembly
25.	57-214675-000	Spacer	75.	11-680326-000	Crimp Terminal
26.	N.A.	Spring Wheel	76.	11-697236-000	Connector
27.	11-537013-000	Retaining Ring	77.	11-612010-000	Ring Terminal
28.	11-190014-001	Washer (3/8)	78.	11-680116-000	Connector
29.	11-195016-001	Lockwasher (3/8)	79.	11-680302-000	Terminal
30.	11-125104-001	Hex Nut (3/8-16)	80.	11-697234-000	Receptacle
31.	57-214527-000	Knob	81.	11-697207-000	Connector
32.	57-214685-000	Lamp Block	82.	11-680322-000	Terminal
33.	11-006063-001	Button Hd. Skt. Screw (#8-32 x 1/2")	83.	11-697204-000	Connector
34.	11-195008-001	Lockwasher (#8)	84.	11-680216-000	Receptacle
35.	11-434001-000	Bearing	85.	11-680301-000	Terminal
36.	57-214686-000	Pivot Mount	86.	11-099580-001	Set Screw
37.	11-010060-001	Hex Hd. Screw (#8-32 x 1/2")	87.	94-860205-475	Model 86 Scanner Assembly - Complete (Refurbished) (Brunswick Repair/Exchange)
38.	57-214676-000	Nut Plate	88.	17-600805-002	Support Bracket (4")
39.	11-003182-001	Skt. Hd. Screw (1/4-20 x 3/4")	89.	11-070522-001	Hex Hd. Lag Screw (1/4-10 x 1-1/4")
40.	57-214664-000	Projection Lens Holder	90.	11-195014-001	Lockwasher (1/4)
41.	17-600827-000	Projection Lens	91.	11-190010-001	Plain Washer (1/4)
42.	17-600521-000	Spring Clip	92.	11-001180-001	Hex Hd. Cap Screw (1/4-20 x 5/8")
43.	57-214922-000	Lens Tube Assembly (includes index no. 44)	93.	11-692530-000	Resistor
44.	11-902514-000	Paper (black)	94.	57-214931-000	Cable Assembly
45.	11-697237-000	Connector	95.	11-697233-000	Connector
46.	11-603203-000	Hose Clamp	96.	N.A.	Pan Hd. Screw (#2-56 x 1/4")
47.	57-860256-000	Photocell Assembly (includes index nos. 75 & 76)	97.	11-697184-000	Shorting Plug
48.	57-214978-000	Tension Spring	98.	11-195002-001	Lockwasher #2
49.	57-860258-000	Cable Lamp Assembly (includes index nos. 77, 78, & 79)	99.	57-214957-000	Window Plate Assembly (includes index nos. 21, 23, 24 & 98)
50.	11-603126-000	Cable Tie Mount			

Associated Interconnecting Cables

57-214895-000	A/C PCB to Scanner Cable Assembly
57-214896-000	Scanner to Brunswick A/P Cable Assembly
57-214927-000	Scanner to AMF Interface Cable Assembly
57-214902-000	Scanner to Ball Detect Cable Assembly

N.A. = No Longer Available

Model 86 Scanner Assembly

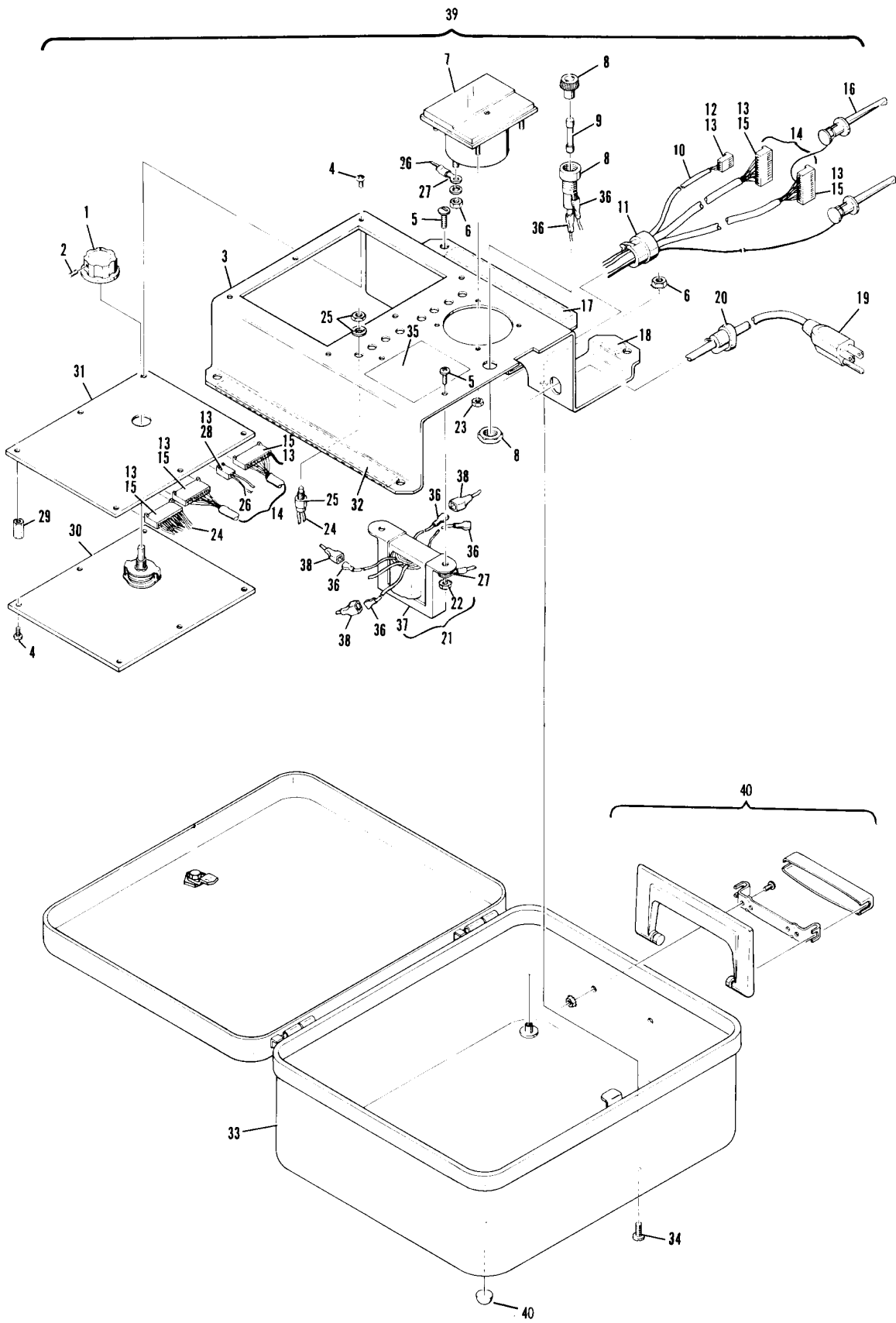


**Model 86
Scanner Assembly**

Index No.	Part No.	Description
1.	11-615478-000	Knob (includes Set Screw)
2.	11-103001-001	Set Screw (#6-32 x 5/16")
3.	57-214987-000	Face Plate
4.	11-012270-001	Pan Hd. C.R. Screw (#6-32 x 1/4")
5.	11-012308-001	Pan Hd. C.R. Screw (#8-32 x 3/8")
6.	11-176008-001	Keps Nut (#10-32)
7.	57-214988-000	Meter
8.	11-685126-000	Fuse Holder
9.	11-684011-000	Fuse (0.5 Amp)
10.	57-214994-000	Cable Assembly
11.	11-611013-000	Strain Relief Bushing
12.	11-697238-000	Connector
13.	11-680326-000	Terminal
14.	57-214993-000	Cable Assembly
15.	11-697242-000	Connector
16.	11-615191-000	Probe
17.	N.A.	Vibration Insulator
18.	N.A.	Vibration Insulator
19.	N.A.	Cord Assembly
20.	11-611009-000	Strain Relief Bushing
21.	57-214990-000	Transformer Assembly
22.	11-176007-001	Keps Nut (#8-32)
23.	11-176009-001	Keps Nut (#4-40)
24.	N.A.	Cable Assembly
25.	11-615018-000	Subminiature PB Switch
26.	57-214992-000	Cable Assembly
27.	11-612007-000	Terminal
28.	11-697233-000	Connector
29.	11-185303-000	Spacer (#6-32 x 1/2")
30.	57-860262-000	PCB Assembly
31.	57-214986-000	Display Lens
32.	N.A.	Vibration Insulator
33.	57-214984-000	Box Only
34.	N.A.	Pan Hd. C.R. Screw (#10-32 x 3/8")
35.	57-214998-000	Label
36.	11-612152-000	Receptacle
37.	N.A.	Transformer Only
38.	11-612511-000	Terminal
39.	57-860325-000	Scanner Tester Assembly - Complete (Brunswick Repair/Exchange)
40.	57-214985-000	Handle Kit

N.A. = No Longer Available

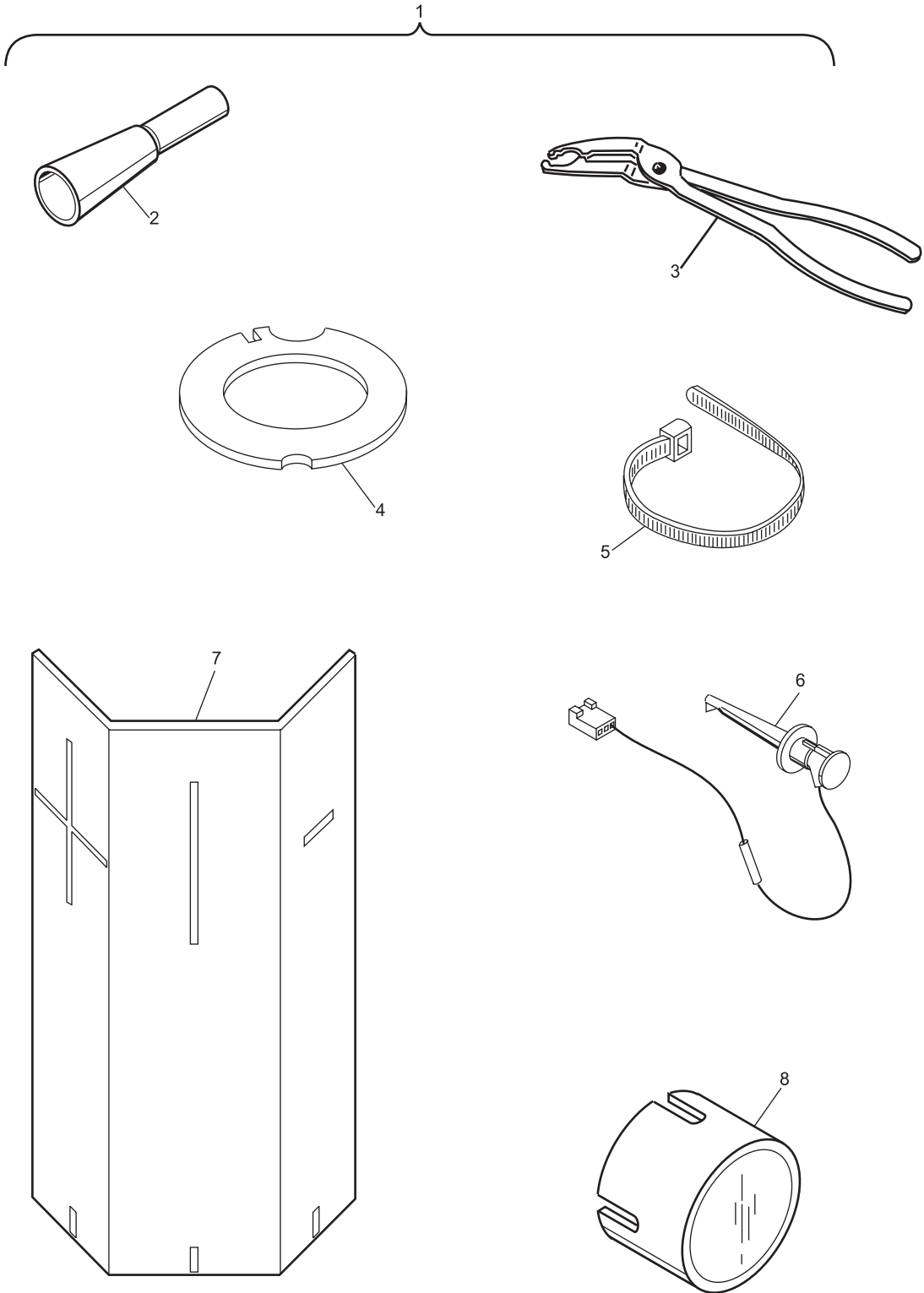
Model 86 Scanner Tester Assembly



**Model 86
Scanner Tester Assembly**

Index No.	Part No.	Description
1.	57-860236-000	Scanner Adjusting Kit - Complete
2.	57-214968-000	Lamp Adjusting Tool
3.	57-900111-000	Scanner Lamp Pliers
4.	57-215380-000	Target and 5 Pin Alignment Disc
5.	11-603108-000	Cable Tie
6.	57-215000-000	AGC Bypass Clamp
7.	57-214969-000	Adjusting Target
8.	57-214595-000	Alignment Reticle

**Model 86
Scanner Adjusting Kit**



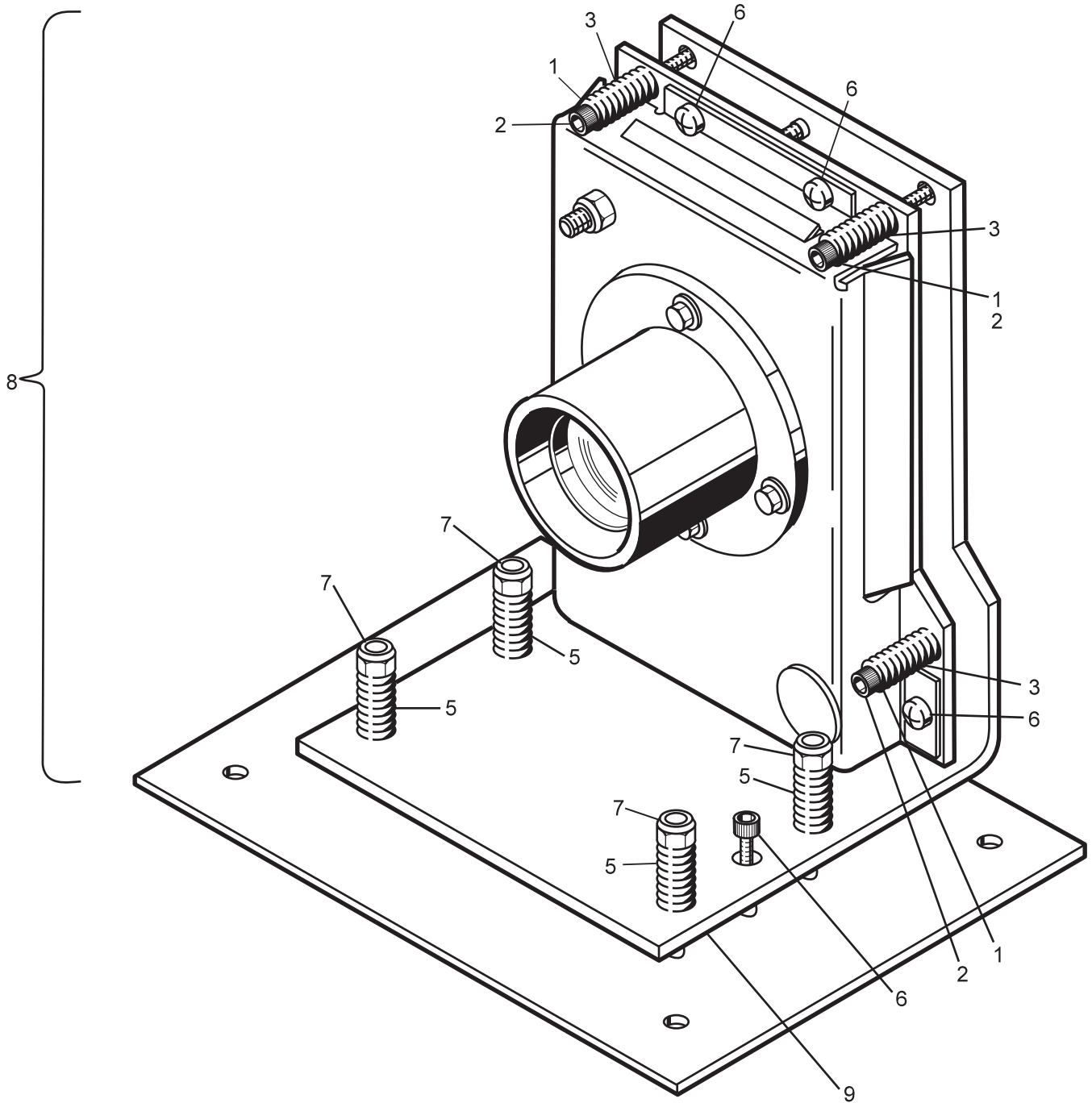
**Model 86
Scanner Adjusting Kit**

Index No.	Part No.	Description
1.	11-190545-001	Plain Washer (3/16")
2.	11-005077-001	Socket Hd. Cap Screw (#8-32 x 2")
3.	11-581008-000	Compression Spring
4.	11-012306-001	C.R. Pan Hd. Screw (#8-32 x 1/4")
5.	11-581009-000	Compression Spring
6.	11-005069-001	Socket Hd. Cap Screw (#8-32 x 1")
7.	11-170004-001	Self Locking Nut (#23FA-832)
8.	57-860407-000	Camera Assembly Complete with Mounting Brackets and Hardware (Brunswick Repair/Exchange)
9.	57-215176-000	Adjusting Plate

Associated Interconnecting Cables

57-215169-000	Camera (J4) to Processor (J901) Cable (33")
57-215379-000	Camera (J3) to Processor (J901) Cable (30')
57-215167-000	Camera (J3) to Processor (J201) Coax Cable (33")
57-215168-000	Camera (J2) to Processor (J101) Coax Cable (21")
57-215377-000	Camera to Processor (Clock or Video) Coax Cable (30')

CCD Camera Assembly



CCD Camera Assembly

Index

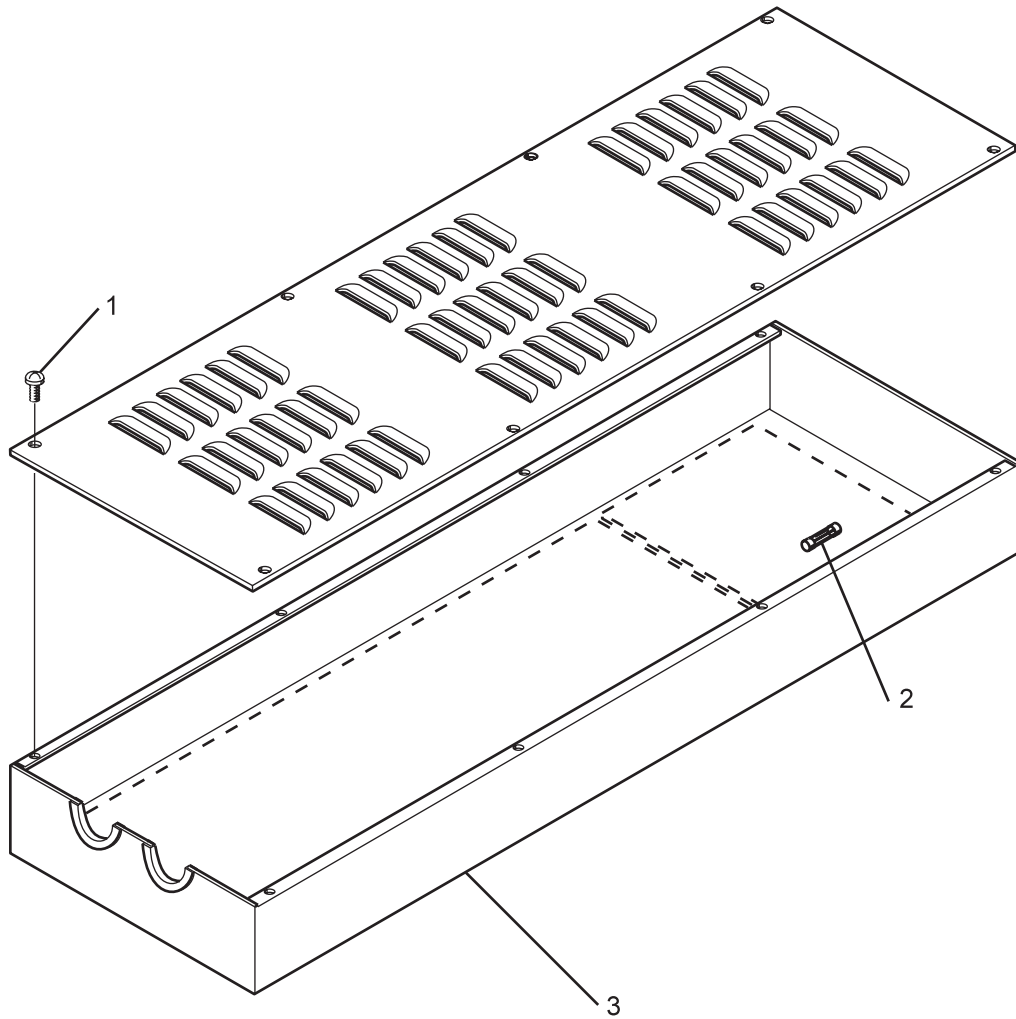
No.	Part No.	Description
1.	11-012306-001	C.R. Pan Hd. Screw (#8-32 x 1/4")
2.	11-685019-000	Fuse - 4 Amp
3.	*57-860408-4xx	CCD Processor Box Assembly (includes PCB's) (Brunswick Repair/Exchange)

* You must contact Brunswick Customer Service to determine the correct software for your center. Call 1-800-YES-BOWL (1-800-937-2695)

Associated Interconnecting Cables

57-215169-000	Camera (J4) to Processor (J901) Cable (33")
57-215379-000	Camera (J4) to Processor (J901) Cable (30')
57-215167-000	Camera (J3) to Processor (J201) Coax Cable (33")
57-215168-000	Camera (J2) to Processor (J101) Coax Cable (21")
57-215377-000	Camera to Processor (Clock or Video) Coax Cable (30')
57-214894-000	Foul to Processor (J6) - (Capping Mounted) (55')
57-214895-000	Foul to Processor (J6) - (Curtain Wall Mounted) (91')
57-214902-000	Ball Detect to Processor (J5) - (Capping Mounted) (3')
57-215391-000	Ball Detect to Processor (J5) - (Curtain Wall Mounted) (30')
57-215171-000	Test Set Bracket Assembly to Test Set Cable (15')
57-215172-000	Processor to Test Set Bracket Cable Assembly
57-215229-000	A/C PCB to Processor (AS-90) - (Capping Mounted) (85')
57-215421-000	A/C PCB to Processor (AS-90) - (Curtain Wall Mounted) (115')
57-215396-000	A/C PCB to Processor (AS-80 & AS-K) - (Curtain Wall Mounted) (115')
57-214895-000	A/C PCB to Processor (AS-80 & AS-K) - (Capping Mounted) (85')
57-214896-000	Processor to Brunswick A/P - (Capping Mounted) (30')
57-215507-000	Processor to AMF Interface - (Curtain Wall Mounted) (20')
57-214927-000	Processor to AMF Interface - (Capping Mounted) (31')
68-300226-000	Processor to BowlerVision A/P Controller

CCD Processor Box Assembly



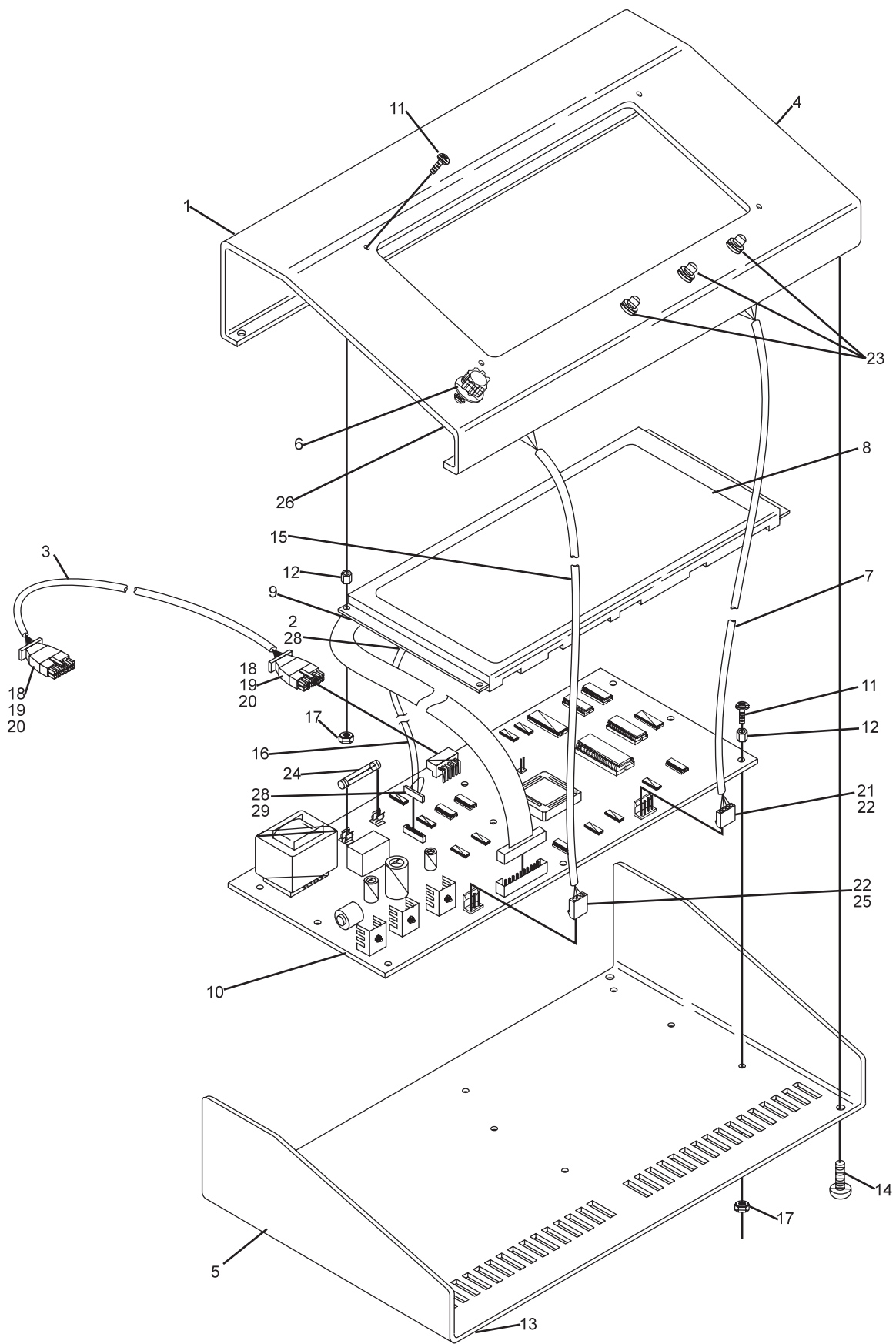
CCD Processor Box Assembly

Index No.	Part No.	Description
1.	57-860376-400	CCD Camera Tester & Cable Package (Brunswick Repair/Exchange)
2.	11-692054-000	Connector
3.	57-215171-000	Camera Tester Cable Assembly
4.	57-215185-000	Test Box Cover
5.	57-215186-000	Test Box Bottom
6.	11-615479-000	Knob
7.	N.A.	Test Set Switch Cable Assembly
8.	57-215225-000	LCD
9.	57-215222-000	Test Set LCD Cable Assembly
10.	57-860732-400	Test Set Module Assembly
11.	11-012251-001	Pan Hd. C.R. Screw (#4-40 x 3/16")
12.	11-185355-000	Standoff
13.	57-214708-000	Bumper Foot
14.	11-012524-001	Pan Hd. C.R. Screw (#6-32 x 1/2")
15.	N.A.	Test Set/Pot Cable Assembly
16.	N.A.	Back Light Cable Assembly
17.	11-176009-001	Keps Nut (#4-40)
18.	11-692312-000	Connector
19.	11-692091-000	Terminal
20.	11-692080-000	Strain Relief
21.	11-697234-000	Connector
22.	11-680326-000	Terminal
23.	11-615018-000	Function Switch
24.	11-685021-000	Fast-Blo Fuse (2 Amp)
25.	11-697236-000	Connector
26.	*11-693522-000	Potentiometer
27.	11-692055-000	Connector
28.	N.A.	Terminal
29.	11-692054-000	Connector

* Not Illustrated

N.A. = No Longer Available

CCD Camera Tester & Cable Assembly



CCD Camera Tester & Cable Assembly

Index No.	Part No.	Description
1.	57-860235-000	Ball Detector Assembly - Complete (includes index nos. 2, 3 & 4)
2.	57-214902-000	Cable Assembly
3.	57-214920-000	Reflector and Bracket Assembly
4.	57-214921-091	Ball Detector Assembly (includes 2 detectors)
	99-080224-004	AS80 Ball Detect Photocell Only
	99-080243-004	Foul or Ball Detect Photocell Only
5.	11-697239-000	Connector
6.	11-680326-000	Terminal
7.	11-680201-000	Receptacle
8.	11-680301-000	Terminal
9.	57-214901-000	Bracket
10.	17-600771-000	Housing Assembly
11.	11-190004-001	Flat Washer (#8)
12.	11-195008-001	Lockwasher (#8)
13.	11-012308-001	Pan Hd. Screw (#8-32 x 3/8") - See Note 1
14.	17-600770-000	Housing Only
15.	17-600773-000	Plate
16.	53-600101-000	Reflector
17.	11-013007-001	Pan Hd. Screw (#4-40 x 9/16")
18.	11-195004-001	Lockwasher (#4)
19.	11-125000-001	Hex Nut (#4-40)
20.	11-082092-001	R.H. Self Tapping Screw (#10 x 1/2")
21.	11-195010-001	Lock Washer (#10)
22.	11-190006-001	Flat Washer (#10)
23.	11-040593-001	Wood Screw (#10 x 3/4") - See Note 2
24.	57-214900-000	Bracket
25.	99-080186-003	Housing Only
26.	11-013060-001	Pan Hd. Screw (#8-32 x 1/2")
27.	11-086307-001	Flat Hd. Screw (#4 x 1")
28.	99-080180-004	Spring
29.	57-214904-000	Photocell & Cable Assembly (internal parts only)

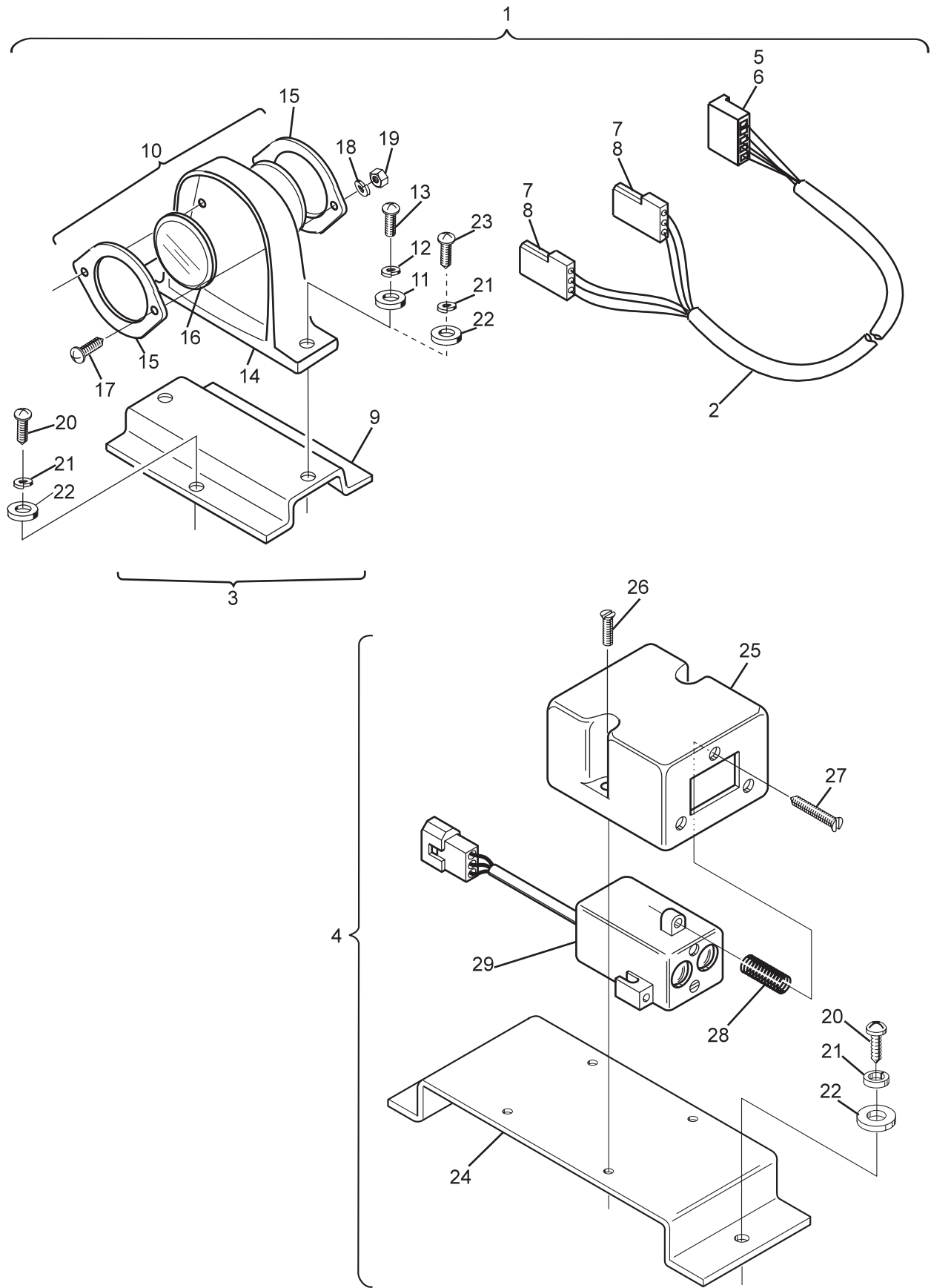
Note 1: Use if bracket is used.

Note 2: Use if going directly into capping.

Associated Interconnecting Cables

57-214902-000	Ball Detect to 86 Scanner or CCD Processor (3')
57-215391-000	Ball Detect to 86 Scanner or CCD Processor (30')

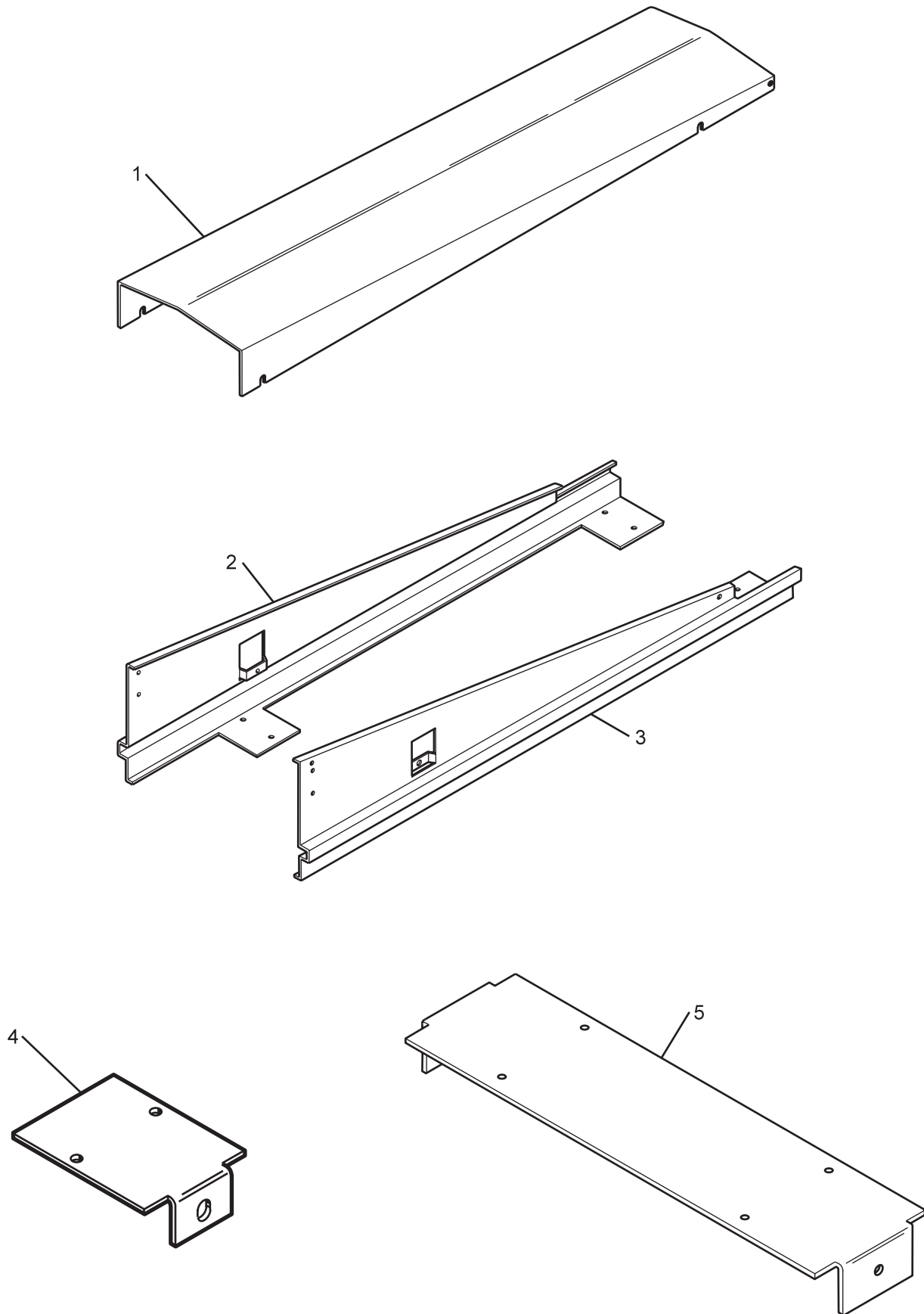
Reflector and Ball Detector Assemblies



Reflector and Ball Detector Assemblies

Index No.	Part No.	Description
1.	57-215321-000	Cover (10-1/2" Capping) - Original with Subway Return
2.	57-215134-002	Side Cover Assembly R.H. - Original with Subway Return
3.	57-215134-003	Side Cover Assembly L.H. - Original with Subway Return
4.	57-215337-000	Mounting Bracket - Ball Detect with Original Cover
5.	57-215132-000	Mounting Bracket - Ball Detect with Original Cover 10-1/2" Subway Returns only

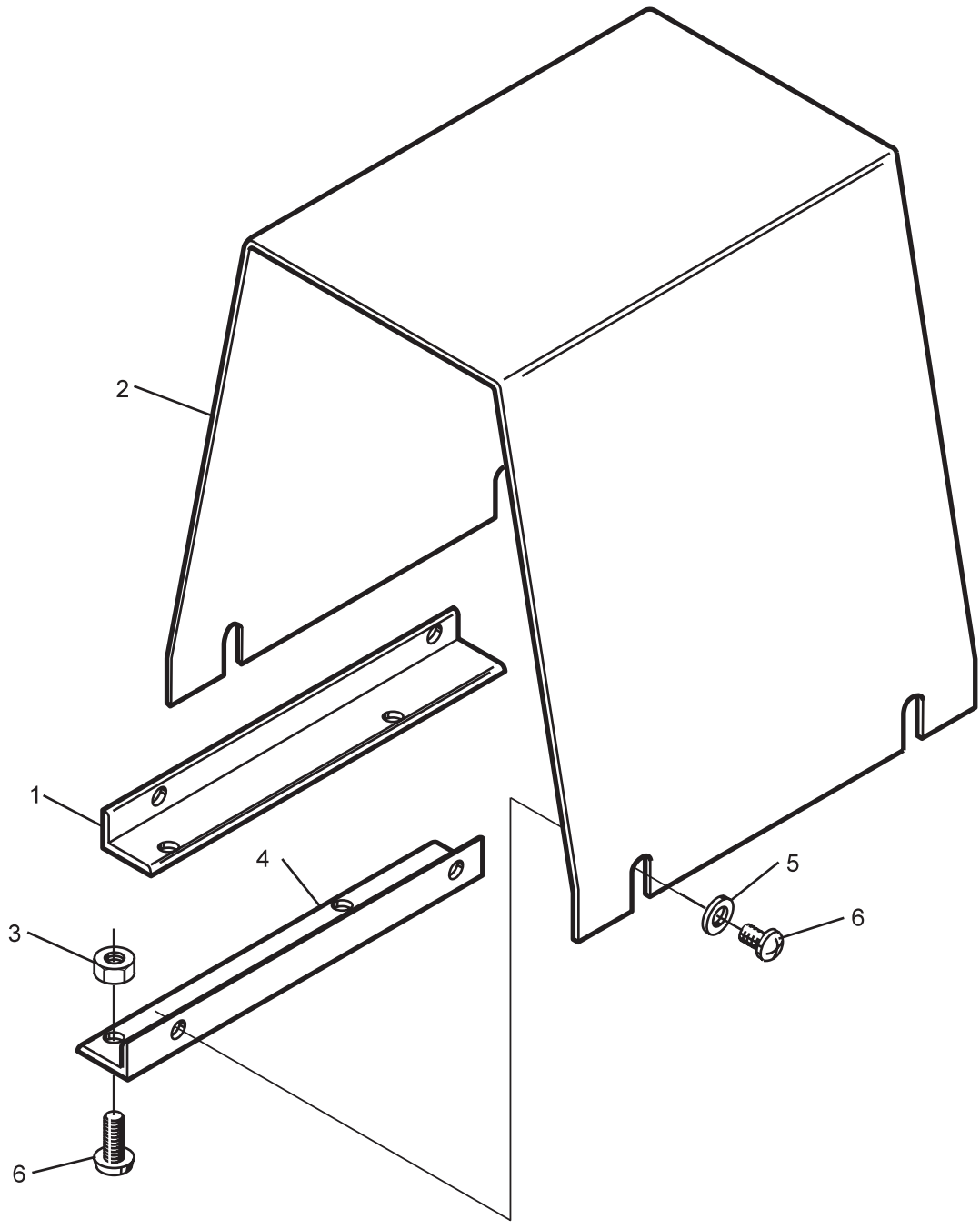
CCD Camera Cover & Ball Detect Mounting Brackets



CCD Camera Cover & Ball Detect Mounting Brackets

Index No.	Part No.	Description
1.	57-215384-000	Bracket R.H.
2.	57-215385-000	Cover
3.	11-125007-001	Hex Nut (1/4-20)
4.	57-215394-000	Bracket L.H.
5.	11-190012-003	Plain Washer (1/4)
6.	11-012385-004	C.R. Pan Hd. Screw (1/4-20 x 3/4")

CCD Camera Cover Assembly

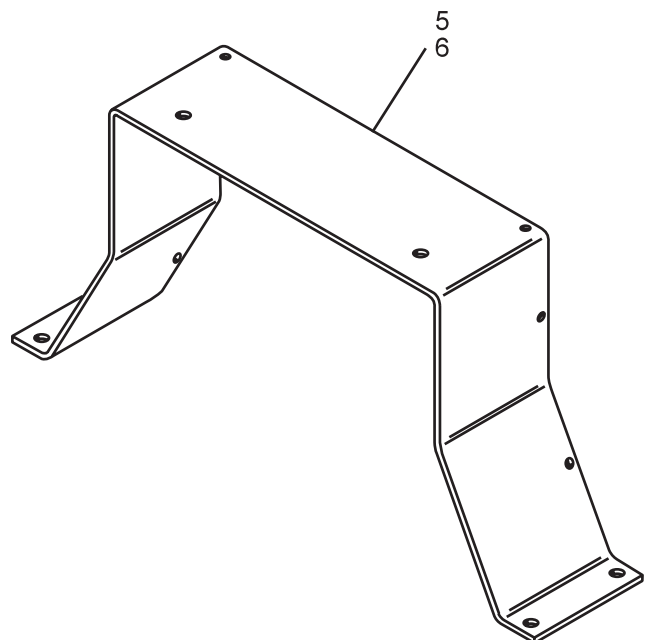
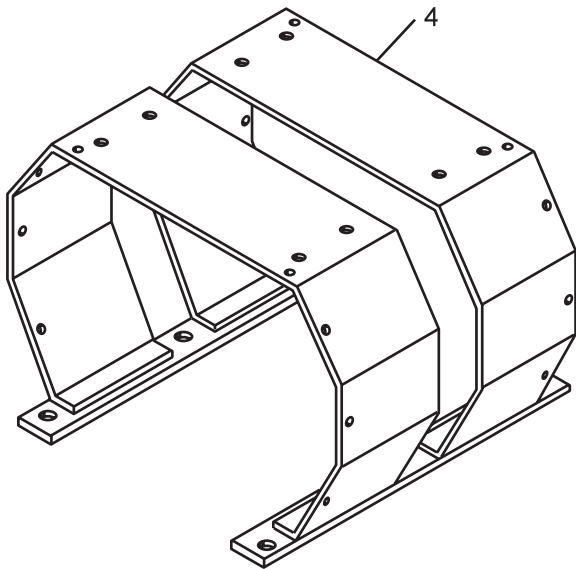
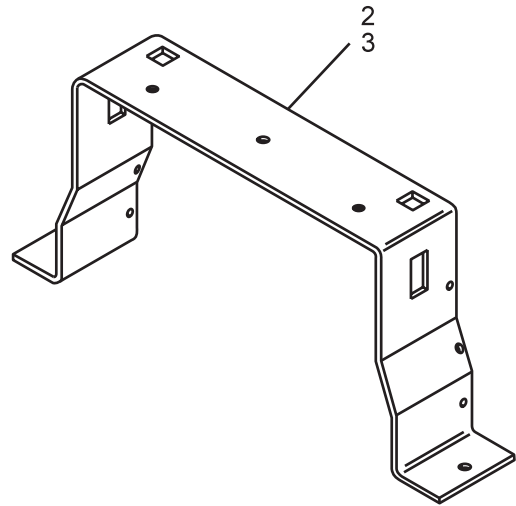
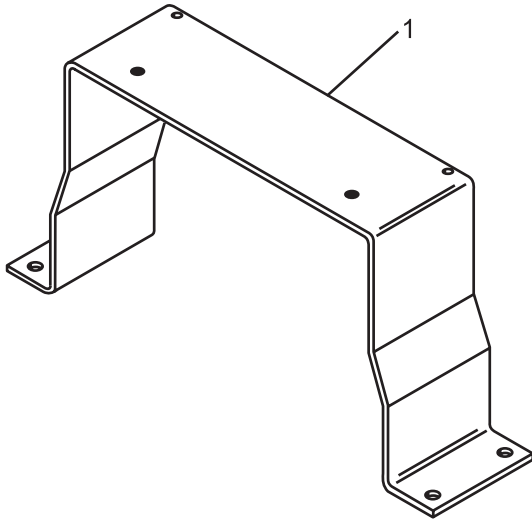


CCD Camera Cover Assembly

Index No.	Part No.	Description
1.	57-215420-000	Support Bracket (Surface to Subway - 10-1/2" Returns) 6-3/8" High
2.	53-520349-000	Support Bracket (Concealed Surface - 9-1/2" Returns) 5-5/8" High
3.	53-520364-000	Support Bracket (Concealed Surface - 10-1/2" Returns) 5-5/8" High
4.	N.A.	Support Bracket (Surface Returns)
5.	57-215400-000	Support Bracket (AMF Concealed Surface - 10-1/2" Returns) 6-7/8" High
6.	57-215387-000	Support Bracket (AMF Concealed Surface - 9-1/2" Returns) 6-7/8" High

N.A. = No Longer Available

CCD Camera Support Brackets



CCD Camera Support Brackets

Section C

BOWLER'S AREA

Index No.	Part No.	Description
1.	57-214094-000	Barrel Nut (#8-32)
2.	N.A.	R.H. Catch
	*57-214280-003	L.H. Catch
3.	11-086367-001	Flat Hd. Tapping C.R. Screw
4.	57-214191-002	R.H. Clear-Screen w/Brown Border
	*57-214191-003	L.H. Clear-Screen w/Brown Border
5.	57-214189-000	Ground Cable
6.	11-612005-000	Terminal
7.	11-603108-000	Cable Tie
8.	57-214160-000	Cable Assembly
9.	**57-860106-000	Console Hood Assembly
	***57-860198-000	Console Hood Assembly
	57-214420-000	Console Hood Only
	57-214809-000	Scorer Window Only
10.	57-214483-000	Decal (White)
	57-214523-000	Decal (Brown)
11.	*11-900062-000	Double Faced Tape
12.	*16-590128-000	Adhesive for Inserts
13.	**57-860186-000	Cover Insert
	***57-214519-051	Laminate Insert (32-1/2" x 4-1/2") (Brown)
14.	***11-650500-000	Bumper
15.	57-214809-000	Clear-Screen
16.	57-214420-000	Console Hood Only

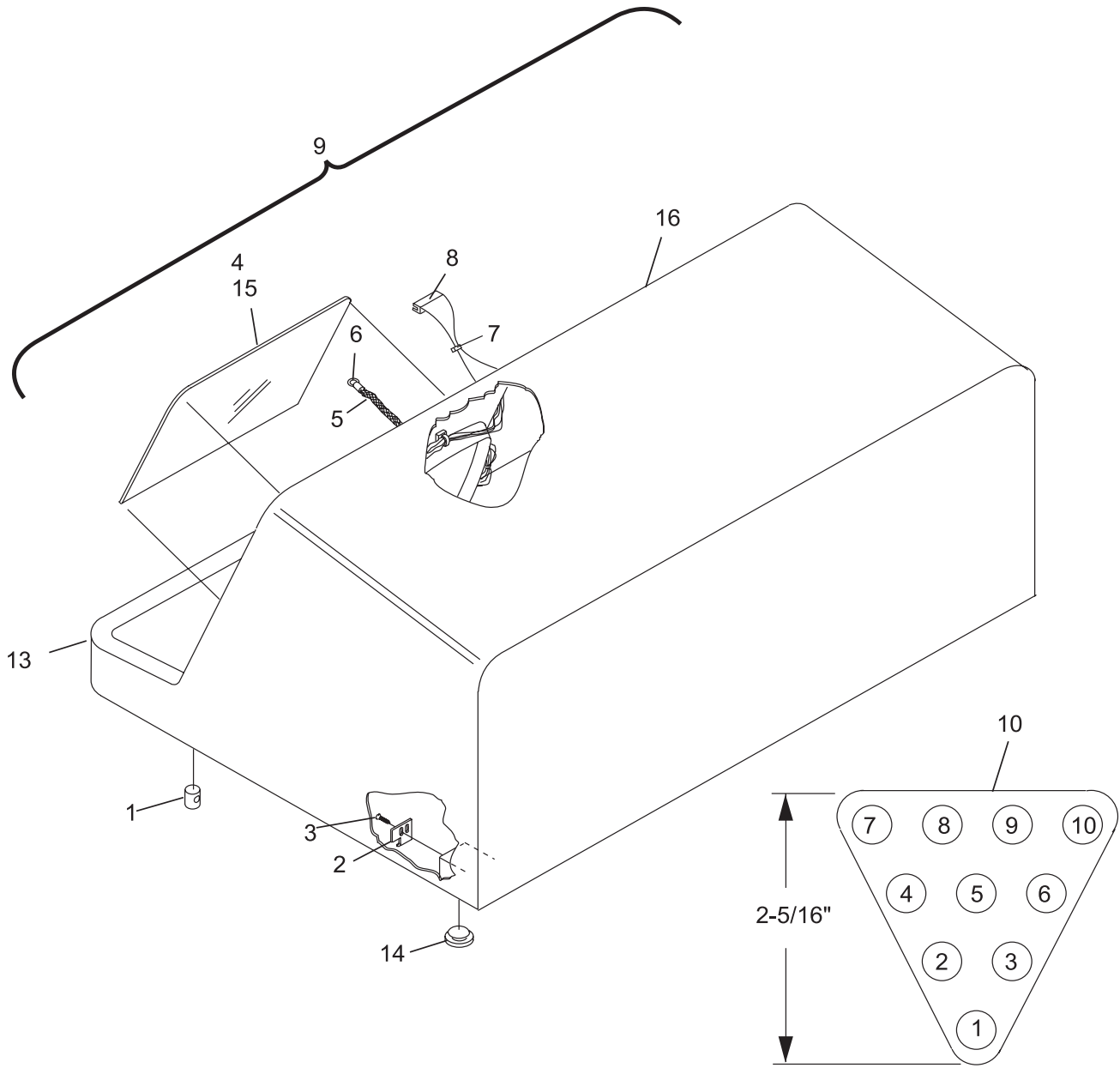
N.A. = No Longer Available

* Not Illustrated

** Older version of console hood which has brown facing around the keyboard.

*** Newer version of console hood which has white facing around the keyboard.

AS-80 Console Hood

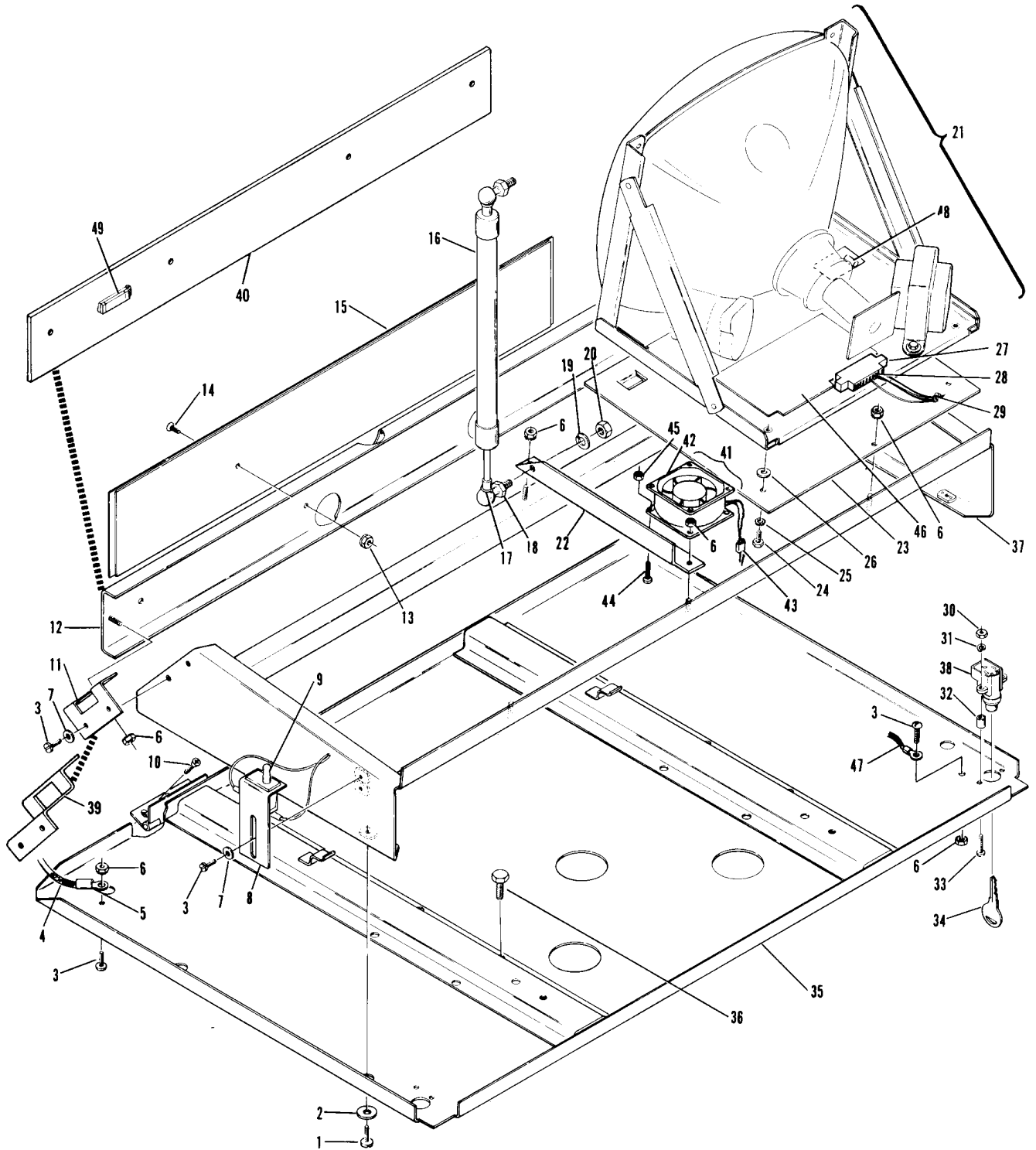


AS-80 Console Hood

Index No.	Part No.	Description
1.	11-013078-001	Pan Hd. Screw (#10-24 x 1/2")
2.	11-190538-001	Plain Washer
3.	11-013076-001	Pan Hd. Screw (#10-24 x 3/8")
4.	57-214189-000	Ground Cable
5.	11-612005-000	Terminal
6.	11-176006-001	Keps Nut (#10-24)
7.	11-190006-001	Plain Washer (#10)
8.	57-214093-000	Interconnect Switch Bracket
9.	11-697142-000	Interlock Switch
10.	11-014070-001	Flat Hd. C.R. Screw (#8-32 x 1")
11.	57-214059-000	Keyboard Adjusting Bracket
12.	N.A.	Keyboard Support (32-7/8")
	N.A.	Keyboard Support (31-1/4")
13.	11-176007-001	Keps Nut (#8-32)
14.	11-014064-001	Flat Hd. C.R. Screw (#8-32 x 1/2")
15.	57-860607-000	Keyboard Assembly - Brown w/White Keys
	57-860608-000	Keyboard Assembly - White w/Brown Keys
	57-860607-002	Keyboard Assembly - English
	57-860108-003	Keyboard Assembly - Spanish
	57-860108-004	Keyboard Assembly - German
	57-860108-005	Keyboard Assembly - Japanese
16.	N.A.	Cylinder Only
17.	57-214274-004	Safety Clip
18.	57-214274-003	Ball Stub
19.	11-195015-001	Lockwasher (5/16")
20.	57-214274-005	Special Nut
21.	57-860602-012	CRT Assembly - 12" (Brunswick Repair/Exchange)
22.	57-214273-000	Cylinder Support Bracket
23.	57-214030-000	CRT Base Plate
24.	11-010024-001	Hex Hd. Screw (#6-32 x 1/2")
25.	11-198001-001	External Tooth Lockwasher (#6)
26.	11-190002-001	Plain Washer (#6)
27.	11-614607-000	P.C. Connector
28.	11-612777-000	Terminal
29.	11-603108-000	Cable Tie
30.	11-125001-001	Hex Nut (#6-32)
31.	11-195006-001	Lockwasher (#6)
32.	10-386115-000	Spacer
33.	11-024049-001	T. Hd. C.R. Screw (#6-32 x 3/4")
34.	11-640030-003	Key Only
35.	57-214007-000	Console Pan
36.	11-001180-001	Hex Hd. Screw (1/4-20 x 5/8")
37.	57-214092-000	CRT Support Assembly
38.	N.A.	Lock Assembly w/ Keys
39.	N.A.	Bracket
40.	57-214528-000	Plate (to mount Keyboard to Hood Assembly)
41.	57-860158-000	Fan Kit - Complete
42.	57-214372-002	Fan Only
43.	11-609555-000	Tap Connector
44.	11-012274-001	Screw (#6-32 x 1-1/2")
45.	11-176005-001	Nut (#6-32)
46.	N.A.	Printed Circuit Board - Complete
47.	57-214185-000	Ground Cable
48.	11-685027-000	Fuse (2.5 Amp)
49.	11-698504-000	Keyboard Clamp Cable

N.A. = No Longer Available

Upper Console Assembly (1979-1991)



Upper Console Assembly (1979-1991)

Index

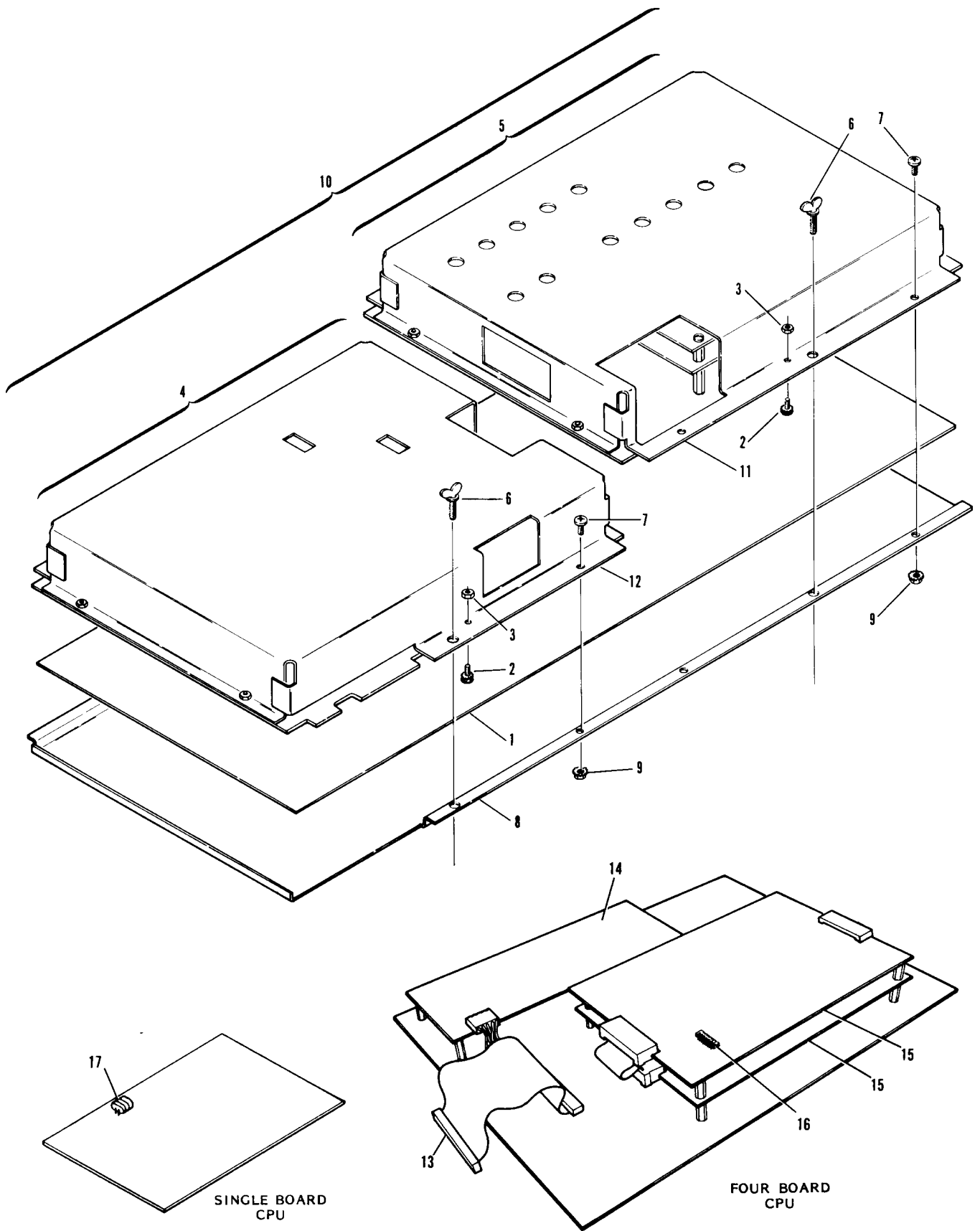
Index No.	Part No.	Description
1.	57-214138-000	Shield
2.	11-018003-001	Round Hd. C.R. Screw (#4-40 x 5/16")
3.	11-125000-001	Hex Nut (#4-40)
4.	57-860035-010	I/O Board and Cover Assembly - Complete (Brunswick Repair/Exchange)
5.	57-860155-010	CPU Board and Cover Assembly - One Board (Brunswick Repair/Exchange)
	N.A.	CPU Board and Cover Assembly - Three Boards (Brunswick Repair/Exchange)
	N.A.	CPU Board and Cover Assembly - Four Boards (Brunswick Repair/Exchange)
6.	12-750427-000	Wing Bolt (#10-24 x 3/4")
7.	11-012308-001	Pan Hd. C.R. Screw (#8-32 x 3/8")
8.	57-214089-000	Pan
9.	11-176007-001	Keeps Nut (#8-32)
10.	N.A.	CPU and I/O Assembly - Complete
11.	57-214090-000	Cover
12.	57-214091-000	Cover
13.	57-214150-000	Cable Assembly
14.	57-860135-000	Eprom PCB Assembly (Brunswick Repair/Exchange)
15.	N.A.	CRT RAM PCB Assembly (Brunswick Repair/Exchange)
16.	11-615184-000	Switch
17.	11-690504-000	Battery (3.6 Volt)

N.A. = No Longer Available

Associated Interconnecting Cables

57-214160-000	I/O to Printer Cable Assembly
57-214151-000	Keyboard to I/O Cable Assembly
57-214148-000	A/C to I/O Cable Assembly (Pre-1981)
57-214152-000	A/C to I/O Cable Assembly (1981 and Later)
57-214449-000	A/C to I/O Cable Assembly (for Scorers with Audio Switching PCB)
57-214171-000	CPU to 12" Monitor (Left Lane)
57-214172-000	CPU to 12" Monitor (Right Lane)
57-215370-000	CPU to 27" Overhead Scorer Video Coax
	CPU to B & W Overhead Scorer Video Coax
57-214180-000	CPU to 25" Color Overhead Scorer Video Coax

CPU and I/O Assemblies



CPU and I/O Assemblies

Index No.	Part No.	Description
1.	57-214011-007	Coil - Horizontal Width
2.	N.A.	Coil - Horizontal Linearity
3.	57-214011-016	Diode
4.	57-214011-018	Diode
5.	57-214011-014	Diode
6.	57-214011-008	Coil - RCF - 6.8 UH
7.	57-214011-056	Transistor - Vertical Output
8.	57-214011-004	Resistor 250K Ohms
9.	57-214011-009	Transformer - Horizontal Drive
10.	57-214011-017	Diode
11.	57-214011-021	Transistor
12.	57-214011-012	Diode
13.	57-214011-024	Transistor
14.	57-214011-057	CRT Socket Assembly
15.	N.A.	Transistor - Voltage Control
16.	57-214011-055	Transistor - Horizontal Output
17.	57-214011-015	Diode
18.	57-214011-003	25K Control
19.	57-214011-005	2 MEG Control
20.	57-214011-022	Transistor
21.	57-214011-023	Transistor
22.	57-214011-028	Transistor
23.	N.A.	Transistor
24.	57-214011-025	Transistor
25.	57-214011-026	Transistor
26.	57-214011-029	12" CRT
27.	57-214011-010	H.V. Transformer
28.	57-214011-011	Deflection Yoke
29.	N.A.	PCB - Complete (for models D12 and DS12) (Brunswick Repair/Exchange)
30.	N.A.	CRT Socket and PCB Assembly

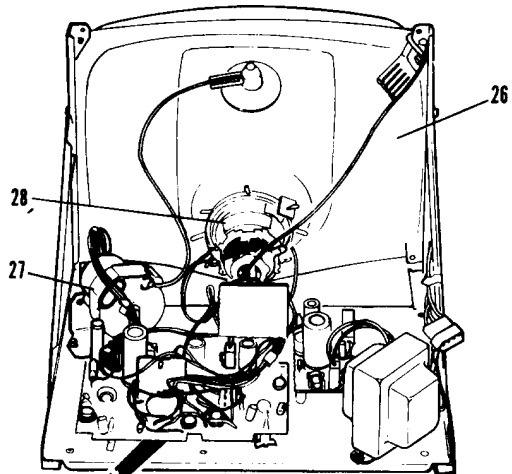
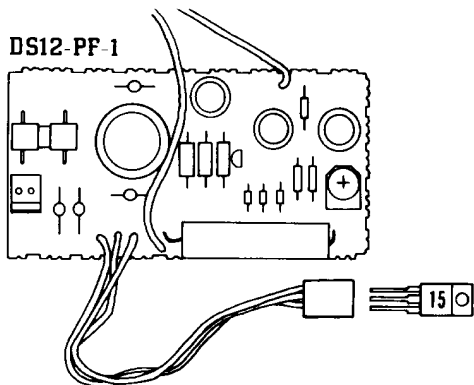
N.A. = No Longer Available

Associated Interconnecting Cables

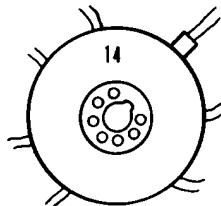
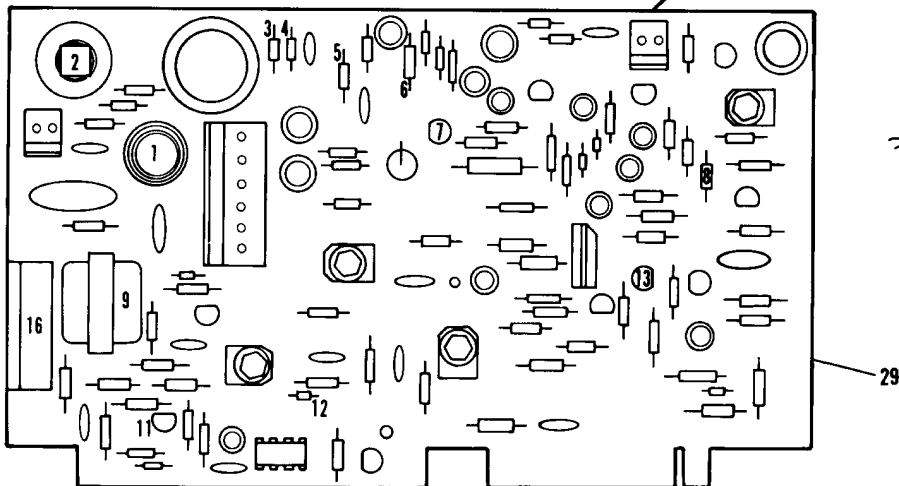
57-214171-000	CPU to 12" Monitor (Left Lane)
57-214172-000	CPU to 12" Monitor (Right Lane)

12" B & W CRT Assembly

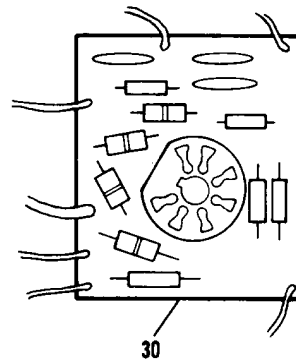
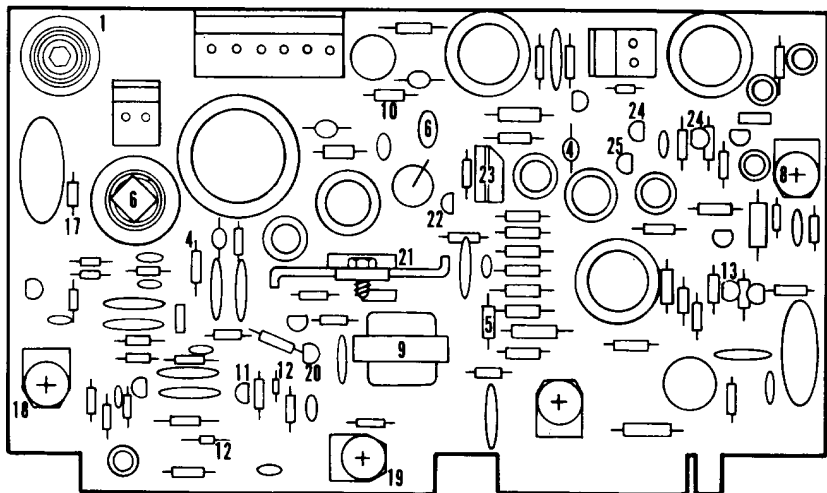
DS12-PF-1



DS12-PF-1



D12-PF-1



12" B & W CRT Assembly

Index No.	Part No.	Description
1.	*57-860068-000	Microprinter Assembly (Brunswick Repair/Exchange)
2.	11-176005-001	Hex Nut (#6-32)
3.	11-176006-001	Hex Nut (#10-24)
4.	11-013076-001	Pan Hd. Screw (#10-24 x 3/8")
5.	57-860136-000	Printer Interface PCB Assembly (Brunswick Repair/Exchange)
6.	11-013022-001	Pan Hd. Screw (#6-32 x 3/8")
7.	57-214266-000	Card Holder
8.	57-214081-000	Paper Shaft Assembly
9.	57-214081-003	Wire Drag Only
10.	57-214081-002	Paper Shaft Only
11.	57-214204-000	Printer Paper (Box of 50 Rolls)
12.	57-214277-000	Paper Roll Holder
13.	11-680116-000	Connector
14.	11-680302-000	Terminal
15.	11-612005-000	Terminal
16.	11-603125-000	Mounting Plate
17.	N.A.	Round Hd. Self Tapping Screw (#8 x 7/16")
18.	57-214241-091	Speaker and Cable Assembly
19.	11-082663-001	Pan Hd. Self Tapping C.R. Screw (#8 x 1/4")
20.	57-862905-000	Speaker Only
21.	57-214247-000	Intercom Screen
22.	N.A.	R.H. Printer Support Bracket
23.	11-603108-000	Cable Tie
24.	57-214189-000	Ground Cable
25.	11-680216-000	Receptacle
26.	11-680301-000	Terminal
27.	57-214143-000	Door Only
28.	57-214192-000	Door Knob
29.	57-214276-003	Door Key Only
30.	57-214276-002	Door Lock Only
31.	11-195004-001	Lockwasher (#4)
32.	11-082626-001	Pan Hd. Self Tapping Screw (#4 x 3/16")
33.	57-214265-000	Paper Cutter
34.	57-214279-000	L.H. Printer Support Bracket
35.	57-214373-000	Printer Shield
36.	**57-860176-000	Printer Assembly - Complete
37.	57-214374-000	Ground Cable
38.	53-600540-451	Rubber Channel (4-5/8")
	53-600540-452	Rubber Channel (5-3/8")
39.	57-860327-000	Console Door Assembly - Complete
40.	11-674980-000	P.C. Switch
41.	57-214650-000	Cover Plate for Slot
42.	N.A.	AS-90 Sticker

* See Page 5E for breakdown.

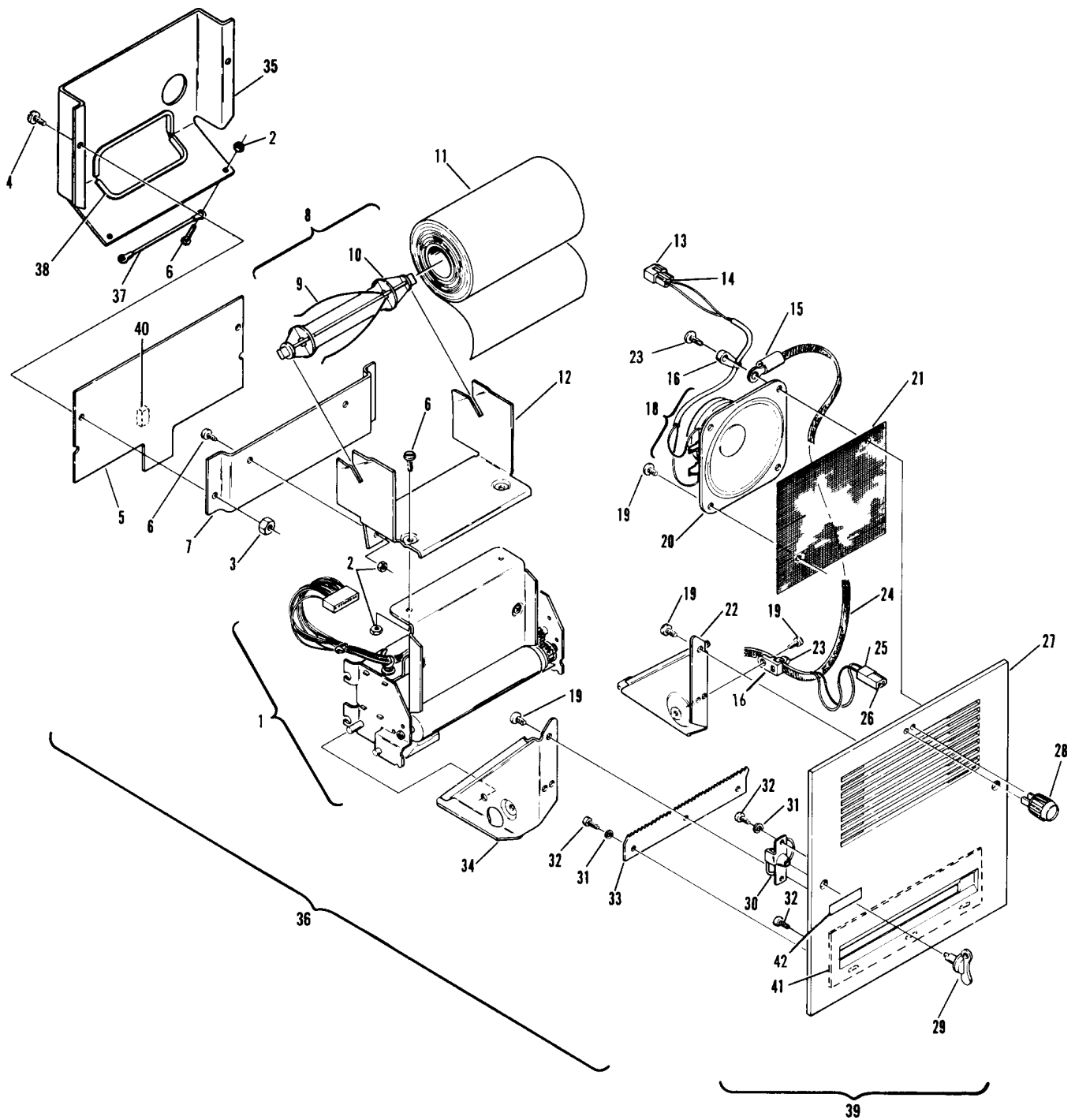
** Does not include door, speaker, or related components.

N.A. = No Longer Available

Associated Interconnecting Cables

57-214160-000	I/O to Printer Cable Assembly
57-214148-000	A/C to I/O Harness Assembly (1979-1980)
57-214152-000	A/C to I/O Harness Assembly (1981 and Later)
57-214449-000	A/C to I/O Harness Assembly (for Scorers with Audio Switching PCB)

Printer and Door Assemblies (1979-1991)

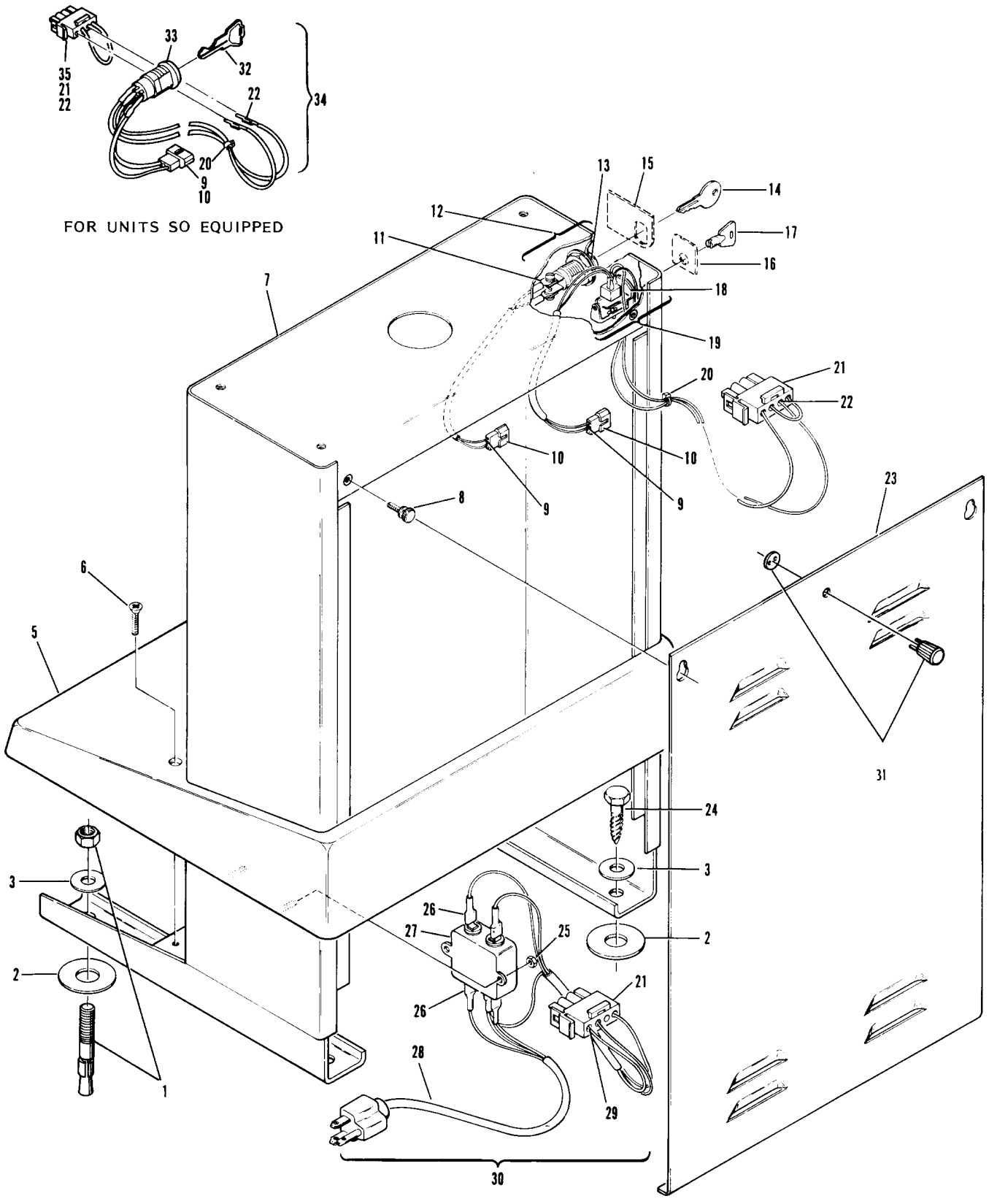


Printer and Door Assemblies (1979-1991)

Index No.	Part No.	Description
1.	11-111455-000	Concrete Fastener
2.	11-191022-001	Plain Washer (5/8")
3.	11-191014-001	Plain Washer (3/8")
4.	N.A.	Hex Hd. Cap Screw (3/8-16 x 7/8")
5.	N.A.	Console Foot
6.	11-014090-009	Flat Hd. C.R. Screw (#8-24 x 1")
7.	N.A.	Console Base
8.	57-214133-000	Knurled Screw (#10-24 x 1/2")
9.	11-680302-000	Terminal
10.	11-680101-000	Connector
11.	11-612008-000	Connector
12.	57-214176-000	Cable Assembly
13.	11-615182-000	Key Switch w/2 Keys
14.	11-615182-002	Key Only
15.	N.A.	Mode Nameplate
16.	N.A.	On-Off Nameplate
17.	11-615183-002	Key Only
18.	N.A.	Key Switch w/2 Keys
19.	57-860254-000	Key Switch and Cable Assembly (includes index nos. 17, 18, 20, 21, and 22)
20.	11-603108-000	Cable Tie
21.	11-696703-000	Connector
22.	11-697186-000	Terminal
23.	N.A.	Rear Cover
24.	11-070063-001	Hex Hd. Lag Screw (3/8 x 1-3/4")
25.	11-124002-001	Hex Nut (#8-32)
26.	11-612253-000	Receptacle
27.	11-688572-000	Powerline Filter (2 Amp)
28.	17-213808-091	Cord Set
29.	11-697185-000	Terminal
30.	57-214149-000	Cable Assembly
31.	57-214192-000	Knob
32.	11-615051-002	Key Only
33.	11-615051-000	Key Switch
34.	57-860255-000	Key Switch and Cable Assembly (includes index nos. 9, 10, 20, 21, 22, 32, and 33)
35.	57-215010-000	Connector w/Jumper Wire

N.A. = No Longer Available

Lower Console Assembly



FOR UNITS SO EQUIPPED

Lower Console Assembly

Index No.	Part No.	Description	Index No.	Part No.	Description
1.	N.A.	Power Supply Assembly - Complete (Brunswick Repair/ Exchange)	23.	11-015122-001	Hex Hd. Sems Screw (#8-32 x 7/16")
	**57-860099-010	Power Supply Assembly - Complete (Brunswick Repair/ Exchange)	24.	57-214230-000	Handle
2.	11-185306-000	Hex Threaded Spacer (#6-32 x 1")	25.	10-190014-000	Nylatron Washer (36)
3.	11-015041-001	Hex Hd. Sems Screw (#6-32 x 3/8")	26.	11-185305-000	Hex Threaded Spacer (#6-32 x 3/4")
4.	11-697186-000	Terminal	27.	***57-214140-000	Scorer Watchdog Timer Assembly
5.	11-696701-000	Connector	28.	11-672650-000	12 Volt Relay
6.	57-214158-000	Cable Assembly	29.	11-672651-000	24 Volt Relay
7.	11-612252-000	Receptacle	30.	11-672652-000	120 Volt Relay
8.	11-697142-000	Interlock Switch	31.	N.A.	Battery Clamp Assembly
9.	11-001056-001	Hex Hd. Cap Screw (#10-24 x 3/8")	32.	11-690100-000	6 Volt Battery
10.	57-214093-000	Interconnect Switch Bracket	33.	57-214159-000	Cable Assembly
11.	57-214095-000	Adjustment Bracket	34.	11-680325-000	Terminal
12.	11-010058-001	Hex Hd. Cap Screw (#8-32 x 3/8")	35.	11-697201-000	Connector
13.	11-176007-001	Keps Nut (#8-32)	36.	*57-214161-000	Transformer and Cable Assembly
14.	57-214033-000	Power Supply Mounting Plate		**57-214806-000	Transformer and Cable Assembly
15.	57-214229-000	Power Supply Bracket		57-860071-000	Stepdown Auto-Transformer Assembly (230V/115V) (For International Use Only)
16.	N.A.	12 Volt Power Supply Assembly (Brunswick Repair/ Exchange)	37.	*11-697102-000	Transformer Only
17.	11-603108-000	Cable Tie		**57-214808-000	Transformer Only
18.	11-696705-000	Connector	38.	11-696704-000	Connector
19.	57-860037-000	5 Volt Power Supply Assembly (Brunswick Repair/ Exchange)	39.	11-176000-001	Keps Nut (1/4-20)
20.	57-214188-000	Ground Cable	40.	N.A.	Audio Switching PCB - Complete
21.	11-612005-000	Terminal	41.	57-214326-000	Drip Plate
22.	*57-860039-000	A/C Printed Circuit Board Assembly (Brunswick Repair/ Exchange)	42.	11-190530-001	Washer (9/32")
	**57-860166-000	A/C Printed Circuit Board Assembly (Brunswick Repair/ Exchange)	43.	10-386221-000	Spacer (1/4 x 1/4")
			44.	11-672552-000	Relay Socket
			45.	10-386115-000	Spacer (7/32 x 3/8")
			46.	11-015047-001	Hex Hd. Screw w/Tooth Lockwasher (#6-32 x 3/4")
			47.	11-696626-000	Circuit Breaker
			48.	11-696601-000	Relay - 12 VDC
			49.	11-696628-000	Circuit Breaker

* For Scorer Consoles Serial Nos. 9,999 and Below.

** For Scorer Consoles Serial Nos. 10,000 and Above.

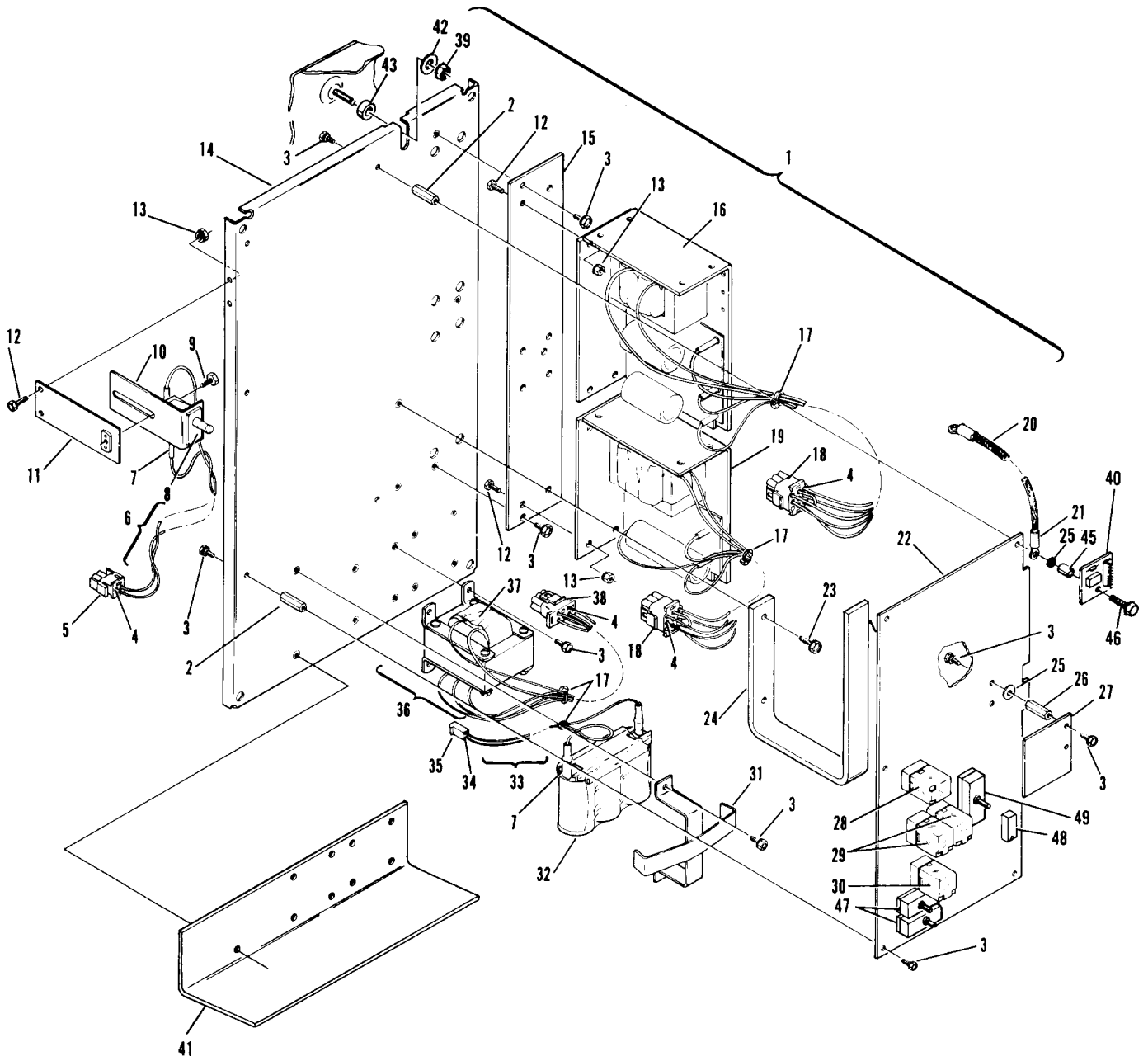
*** For Scorer Consoles Serial Nos. 1,800 and Below.

N.A. = No Longer Available

Associated Interconnecting Cables

57-215229-000	A/C to CCD Processor (Capping Mounted) (85')
57-215421-000	A/C to CCD Processor (Curtain Wall Mounted) (115')
57-215396-000	A/C to CCD Processor (Curtain Wall Mounted) (115')
	AS-K
57-214895-000	A/C to CCD Processor (Capping Mounted) (85') AS-K
57-214153-000	A/C to 79 Scanner Cable
57-215241-000	Main Comline to A/C Cable
57-214311-000	A/C to 79 Scanner (Surface Return)

Power Panel Assembly (1979-1991)



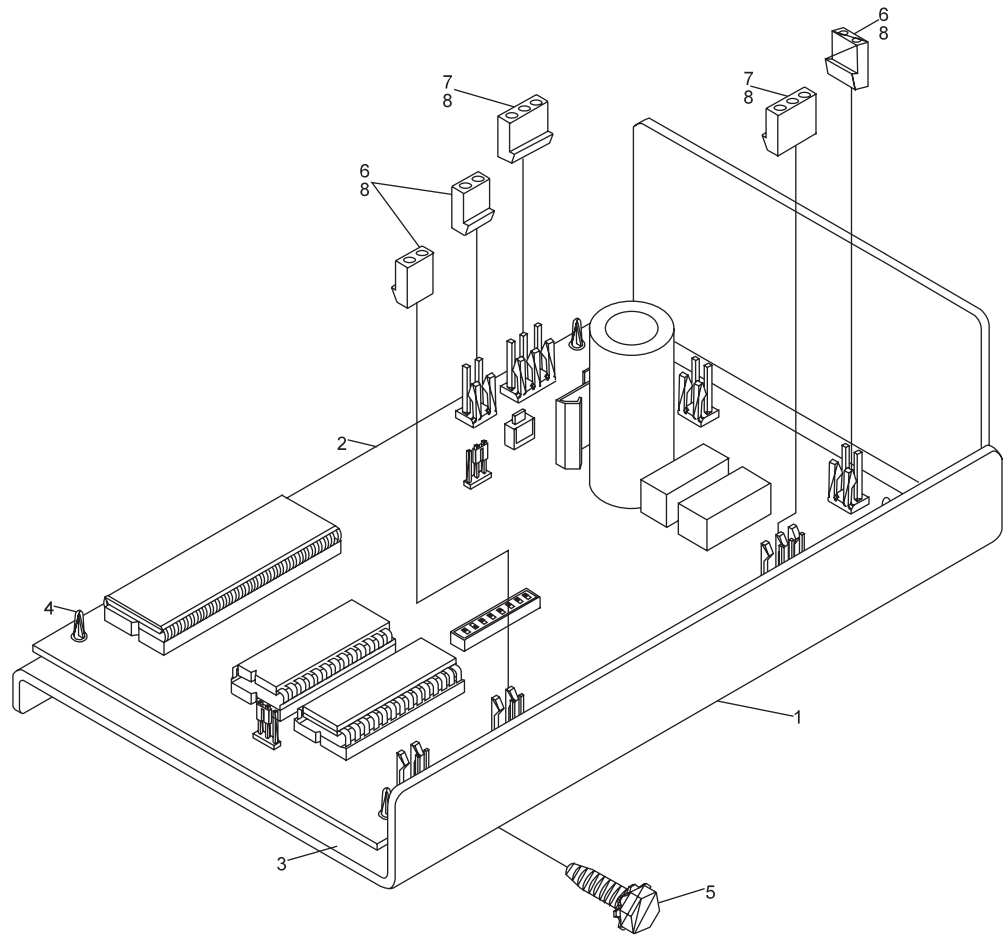
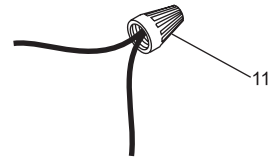
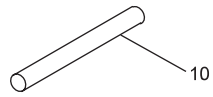
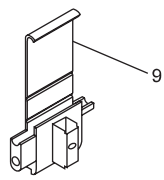
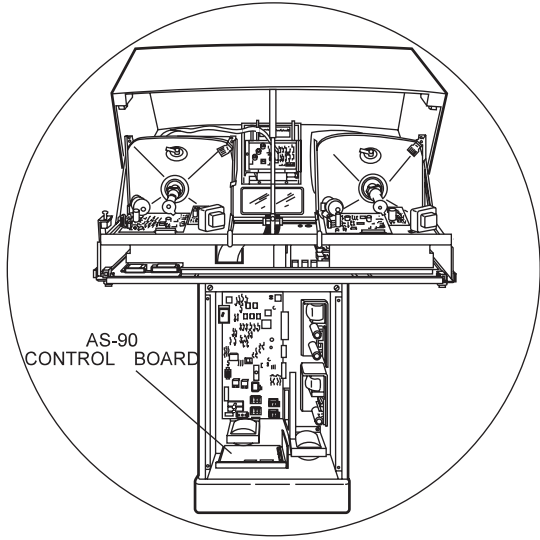
Power Panel Assembly (1979-1991)

Index No.	Part No.	Description
1.	N.A.	AS-80 to AS-90 Conversion Kit
2.	*57-860358-400	AS-90 Control Board Assembly (Brunswick Repair/Exchange)
3.	57-215152-000	PC Control Board Bracket
4.	11-185376-000	Locking Circuit Board Supports
5.	11-015122-001	Screw w/ Lockwasher (#8-32 x 7/16")
6.	11-697204-000	Connector
7.	11-697201-000	Connector
8.	11-680322-000	Terminal
9.	11-609555-000	Splicer
10.	11-612451-000	In-Line Connector
11.	11-609026-000	Wire Nut

* You must contact Brunswick Customer Service to determine the correct software for your center. Call 1-800-YES-BOWL (1-800-937-2695)

N.A. = No Longer Available

AS-80 to AS-90 Conversion

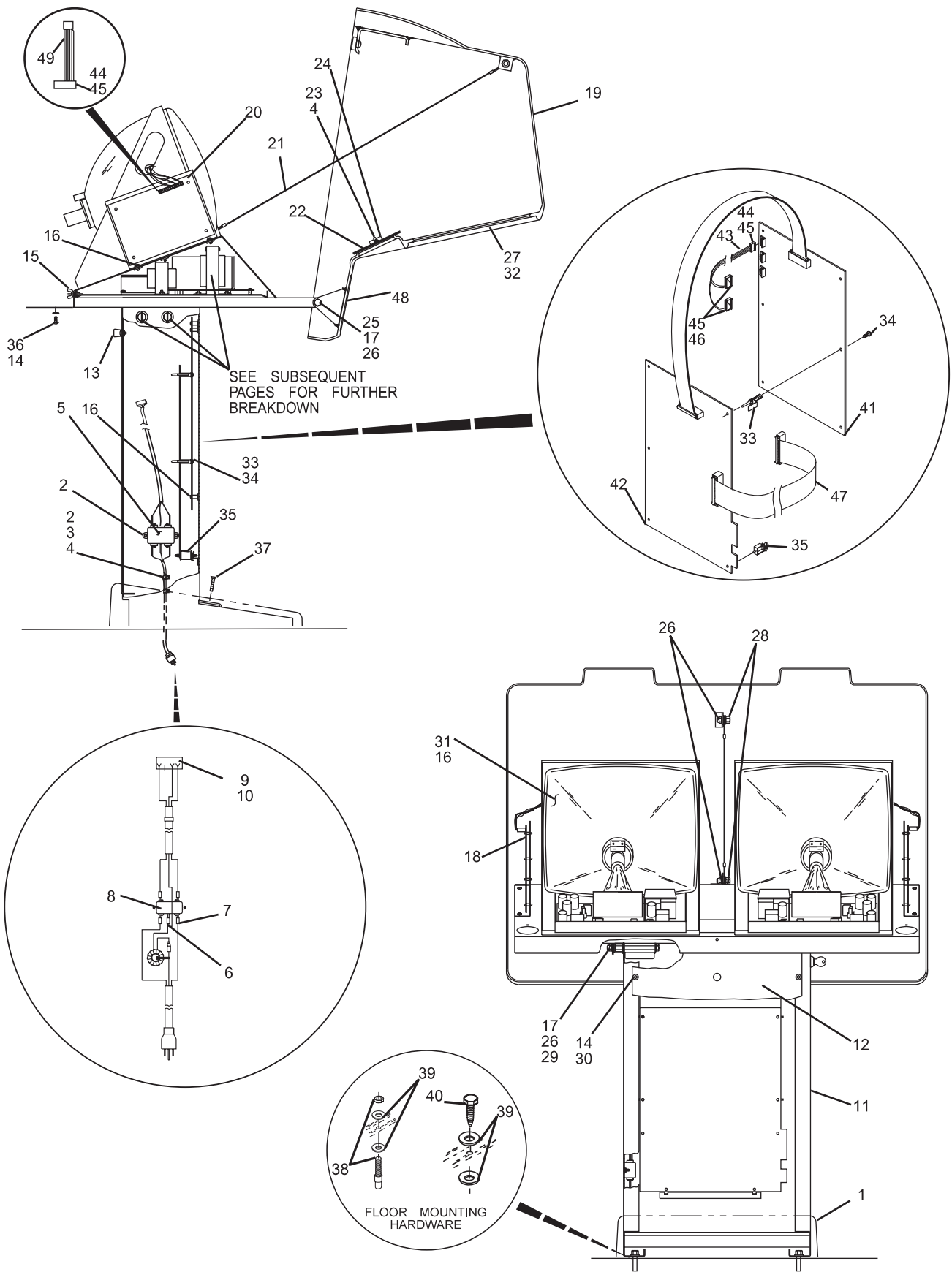


AS-80 to AS-90 Conversion

Index No.	Part No.	Description
1.	57-214260-000	Console Foot
2.	11-124002-001	Electrical Hex Nut (#8-32)
3.	11-605009-000	Rubber Coated Steel Clip
4.	11-190004-001	Plain Washer (#8)
5.	57-215246-000	Power Cord and Filter Assembly
6.	11-612153-000	Insulated Receptacle
7.	11-612152-000	Insulated Receptacle
8.	11-688572-000	RFI Filter
9.	11-696703-000	Connector
10.	11-697185-000	Terminal
11.	57-215253-000	Scorerbase Weldment
12.	57-215311-000	Back Cover Panel Assembly
13.	57-214192-000	Back Cover Knob
14.	11-006178-001	Button Hd. Cap Screw (#1/4-20 x 1/2")
15.	11-045053-001	Thumb Screw (#8-32 Thd.)
16.	11-012058-001	Pan Hd. C. R. Screw w/Lockwasher (#5/16)
17.	11-190012-001	Plain Washer (#5/16)
18.	11-185376-000	Nylon Standoff
19.	57-215240-000	Scorer Console Hood
20.	57-215251-000	Color Decoder PCB Mounting Plate
21.	57-215308-000	Hood Support Assembly
22.	57-860108-002	Keyboard Assembly (Non-Tactile)
	57-860607-002	Keyboard Assembly (Brown Keys)
	57-860608-002	Keyboard Assembly (White Keys)
23.	11-176007-001	Keps Nut (#8-32)
24.	11-698504-000	Flat Cable Mount
25.	11-001266-001	Hex Hd. Mach. Screw (#5/16-18 x 1-1/4")
26.	11-170211-001	Self Locking Nut (#5/16-18)
27.	57-215244-000	Window Blank w/Silk Screen
28.	11-001262-001	Hex Hd. Mach. Screw (#5/16-18 x 3/4")
29.	11-001280-000	Hex Hd. Mach. Screw (#5/16-18 x 4")
30.	11-190010-001	Plain Washer (#1/4)
31.	57-860620-000	13" Color Monitor (Brunswick Repair/Exchange)
32.	11-900062-000	2 Face Tape
33.	11-185382-000	Circuit Board Support
34.	11-010778-001	Pan Hd. C.R. Self Tapping Screw w/Lockwasher (#6-32 x 5/16")
35.	11-185383-000	Circuit Board Support
36.	12-100170-012	Washer
37.	11-014090-009	Screw (#10-24 x 1")
38.	11-111455-000	Hilti Concrete Stud w/Washer and Nut
39.	11-191014-001	Plain Washer (#3/8)
40.	11-070565-002	Lag Screw (#3/8 x 2")
41.	*57-860632-401	CPU Board Assembly (Brunswick Repair/Exchange)
42.	57-860634-000	I/O Board Assembly (Brunswick Repair/Exchange)
43.	57-215303-000	CPU to Color Decoder Cable Assembly
44.	11-697202-000	Connector
45.	11-680322-000	Terminal
46.	11-697205-000	Connector
47.	57-215256-000	I/O to Keyboard Cable Assembly
48.	57-214519-051	Laminate Insert
49.	57-215304-000	Color Decoder to CRT Cable Assembly

* You must contact Brunswick Customer Service to determine the correct software for your center. Call 1-800-YES-BOWL (1-800-937-2695)

AS-K Console



AS-K Console

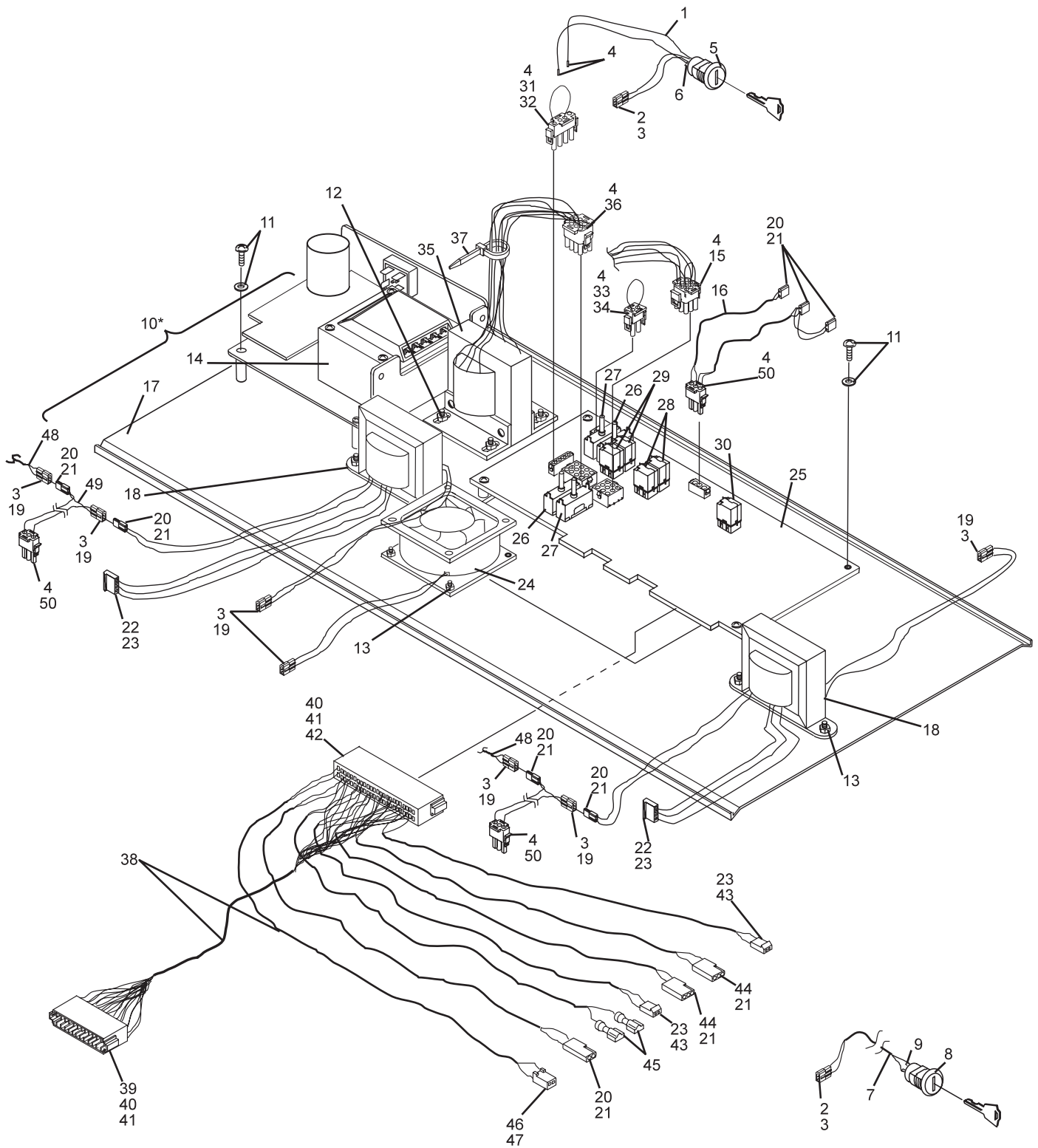
Index No.	Part No.	Description
1.	57-860255-000	A/C to Switch Cable Assembly
2.	11-680101-000	Connector
3.	11-680302-000	Terminal
4.	11-697186-000	Terminal
5.	11-615051-000	Switch Lock
6.	N.A.	Insulated Sleeve
7.	57-214176-000	Mode Switch Cable Assembly
8.	11-615182-000	Key Switch
9.	11-612006-000	Connector
10.	N.A.	Power Panel Assembly (Brunswick Repair/Exchange)
11.	11-012021-001	Pan Hd. C.R. Screw w/Lockwasher
12.	11-176007-001	Keps Nut (#8-32)
13.	11-176005-001	Keps Nut (#6-32)
14.	57-860037-000	Power Supply Assembly (Brunswick Repair/Exchange)
15.	11-696705-000	Connector
16.	57-215306-000	Monitor Power Cable Assembly
17.	57-215254-000	Power Panel
18.	57-215301-000	Isol. Transformer Assembly
19.	11-680116-000	Connector
20.	11-680216-000	Connector
21.	11-680301-000	Terminal
22.	11-697202-000	Connector
23.	11-680322-000	Terminal
24.	57-214372-002	Fan Motor Assembly
25.	57-860166-000	A/C Board (Brunswick Repair/Exchange)
26.	11-696628-000	Circuit Breaker
27.	11-696626-000	Circuit Breaker
28.	11-672651-000	Relay (24 VAC)
29.	11-672652-000	Relay (120 VAC)
30.	11-672650-000	Relay (12 VDC)
31.	57-215010-000	Connector Assembly
32.	11-696703-000	Connector
33.	57-215239-000	Connector Assembly
34.	11-696701-000	Connector
35.	57-215307-000	Transformer Assembly
36.	11-696706-000	Connector
37.	11-603108-000	Cable Tie
38.	57-215250-000	A/C to I/O Board Cable Assembly
39.	11-696810-000	Connector
40.	11-696927-000	Terminal
41.	11-680425-000	Polarizing Key
42.	11-696815-000	Connector
43.	11-697204-000	Connector
44.	11-680201-000	Connector
45.	11-612151-000	Terminal
46.	11-697233-000	Connector
47.	11-680326-000	Terminal
48.	N.A.	CRT Interface Cable Assembly
49.	57-215252-000	AS-K "T" Cable Assembly
50.	11-696702-000	Connector

N.A. = No Longer Available

Associated Interconnecting Cables

57-215396-000	A/C to CCD Processor Cable (Curtain Wall Mounted) (115')
57-214895-000	A/C to CCD Processor Cable (Capping Mounted) (85')
57-215241-000	Main Comline to A/C Cable Assembly

AS-K Power Panel

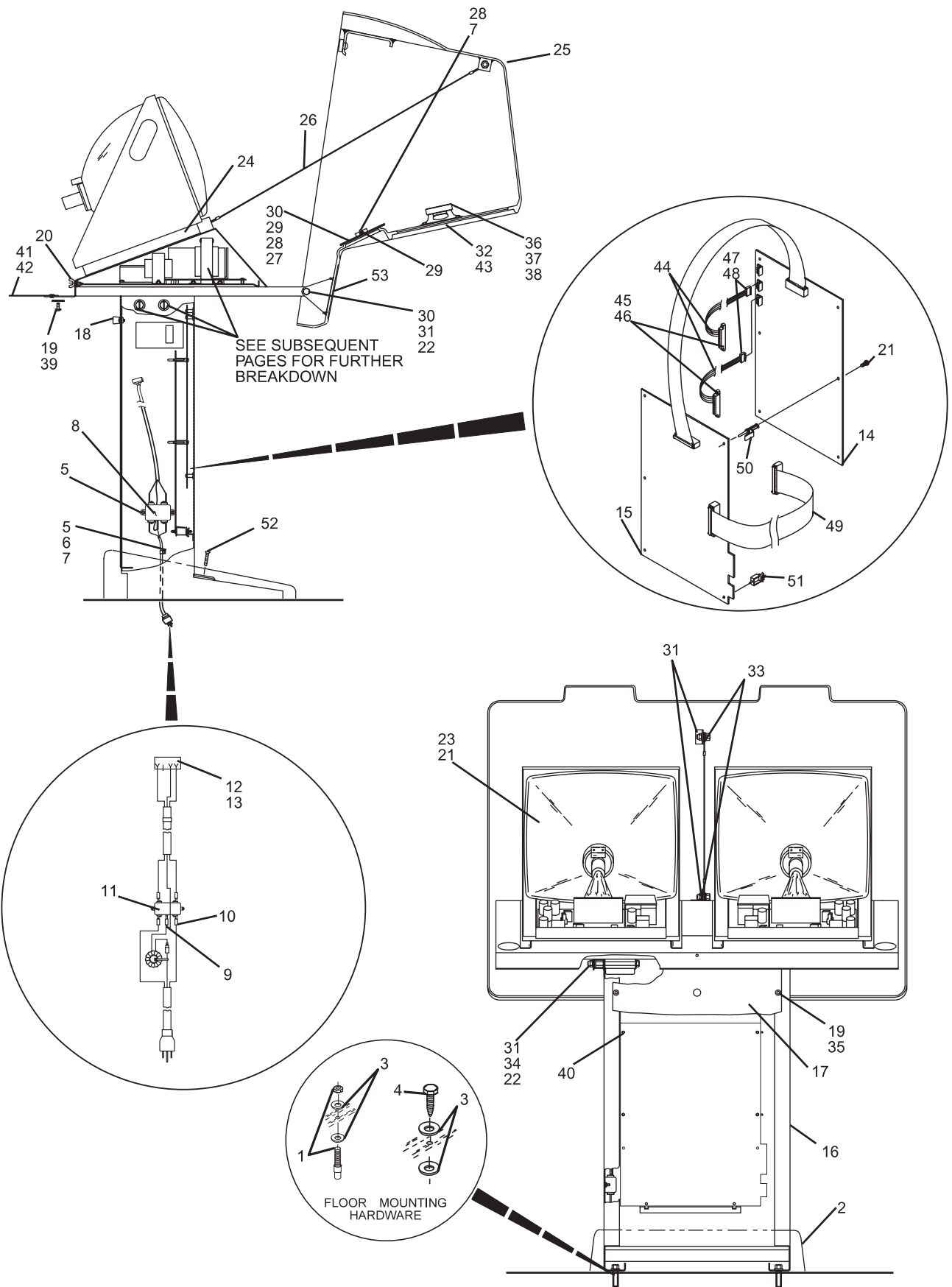


* ASSEMBLY DOES NOT
INCLUDE 38-51

AS-K Power Panel

Index No.	Part No.	Description
1.	11-111455-000	Hilti Concrete Stud w/Washer and Nut
2.	N.A.	Console Foot
3.	11-191014-001	Plain Washer (3/8")
4.	11-070565-002	Lag Screw (3/8" x 2")
5.	11-124002-001	Electrical Hex Nut (#8-32)
6.	11-605009-000	Rubber Coated Steel Clip
7.	11-190004-001	Plain Washer (#8)
8.	57-215246-000	Power Cord and Filter Assembly
9.	11-612153-000	Insulated Receptacle
10.	11-612152-000	Insulated Receptacle
11.	11-688572-000	RFI Filter
12.	11-696703-000	Connector
13.	11-697185-000	Terminal
14.	57-860168-412	CPU Assembly (Brunswick Repair/Exchange)
15.	57-860634-000	I/O PCB Assembly (Brunswick Repair/Exchange)
16.	57-215253-000	Scorer Base Weldment
17.	57-215311-000	Back Cover Panel Assembly
18.	57-214192-000	Knob
19.	11-006178-001	Button Hd. Cap Screw (1/4"-20 x 1/2")
20.	11-045053-001	Thumb Screw (#8-32 Thd.)
21.	11-012058-001	Pan Hd. C.R. Screw w/Lockwasher
22.	11-190012-001	Plain Washer (#5/16)
23.	57-860602-012	Black and White CRT (Brunswick Repair/Exchange)
24.	57-215376-000	CRT Mounting Plate
25.	57-215240-000	Scorer Console Hood
26.	57-215308-000	Hood Support Assembly
27.	57-860607-002	Keyboard Backing Plate Assembly
28.	11-176007-001	Keps Nut (#8-32)
29.	11-698504-000	Flat Cable Mount
30.	11-001266-001	Hex Hd. Mach. Screw (#5/16-18 x 1/4")
31.	11-170211-001	Self Locking Nut (#5/16-18)
32.	57-215382-000	Window Blank w/Silk Screen
	57-860626-000	Speaker Screen (package of 10)
33.	11-001262-000	Hex Hd. Mach. Screw ((#5/16-18 x 3/4")
34.	11-001280-000	Hex Hd. Mach. Screw (#5/16-18 x 4")
35.	11-190010-001	Plain Washer (#1/4)
36.	57-862905-000	Speaker
37.	11-014024-001	Flat Hd. C.R. Screw (#6-32 x 1/2")
38.	11-176005-001	Keps Nut (#6-32)
39.	12-100170-012	Washer
40.	11-012520-001	Pan Hd. C.R. Screw w/Lockwasher
41.	57-215336-000	Tab
42.	11-293507-000	Rivet
43.	11-900062-000	Tape
44.	57-214172-000	CPU to 12" Monitor Cable Assembly
45.	11-612777-000	Terminal
46.	11-614607-000	Connector
47.	11-697202-000	Connector
48.	11-680322-000	Terminal
49.	57-215256-000	I/O to Keyboard Cable Assembly
50.	11-185382-000	PCB Support
51.	11-185383-000	PCB Support
52.	11-014090-009	Screw (#10-24 x 1")
53.	57-214519-051	Laminate Insert

AS-90 Console



AS-90 Console

Index No.	Part No.	Description	Index No.	Part No.	Description
1.	57-215227-000	A/C to Switch Lock Cable Assembly	28.	57-214372-002	Fan Motor Assembly
2.	N.A.	Connector	29.	11-680116-000	Connector
3.	11-692091-000	Terminal	30.	57-860166-000	A/C PCB Assembly (Brunswick Repair/Exchange)
4.	11-697201-000	Connector	31.	57-215239-000	Connector
5.	11-680322-000	Terminal	32.	11-696701-000	Connector
6.	11-615051-000	Switch Lock	33.	11-680326-000	Terminal
7.	N.A.	Insulated Sleeve	34.	11-696705-000	Connector
8.	N.A.	Connector	35.	11-612151-000	Terminal
9.	57-214176-000	Mode Switch Cable Assembly	36.	11-696626-000	Circuit Breaker
10.	11-615182-000	Switch Key	37.	11-696628-000	Circuit Breaker
11.	11-680101-000	Connector	38.	11-672650-000	Relay (12 VDC)
12.	11-680302-000	Terminal	39.	11-672651-000	Relay (24 VAC)
13.	11-612006-000	Connector	40.	11-672652-000	Relay (120 VAC)
14.	*57-215373-400	Power Panel AS-90 Power Supply (Brunswick Repair/Exchange)	41.	57-215237-000	Connector Assembly
15.	11-012021-001	Pan Hd. C.R. Screw w/Lockwasher	42.	11-696703-000	Connector
16.	57-215228-000	Transformer Assembly	43.	57-215374-000	Monitor Power Cable Assembly
17.	11-696706-000	Connector	44.	11-680205-000	Connector
18.	11-697186-000	Terminal	45.	11-680311-000	Terminal
19.	11-692202-000	Connector	46.	11-696702-000	Connector
20.	11-692090-000	Terminal	47.	11-680216-000	Connector
21.	11-603108-000	Cable Tie	48.	11-680301-000	Terminal
22.	11-697204-000	Connector	49.	57-215250-000	A/C to I/O Board Cable Assembly
23.	11-176007-001	Keps Nut (#8-32)	50.	11-696815-000	Connector
24.	11-176005-001	Keps Nut (#6-32)	51.	11-696927-000	Terminal
25.	57-860037-000	Power Supply Assembly (Brunswick Repair/Exchange)	52.	11-680425-000	Polarizing Key
26.	57-215254-000	Power Panel	53.	11-696810-000	Connector
27.	*57-860358-400	Control PCB Assembly (Brunswick Repair/Exchange)	54.	11-680201-000	Connector
			55.	11-697233-000	Connector

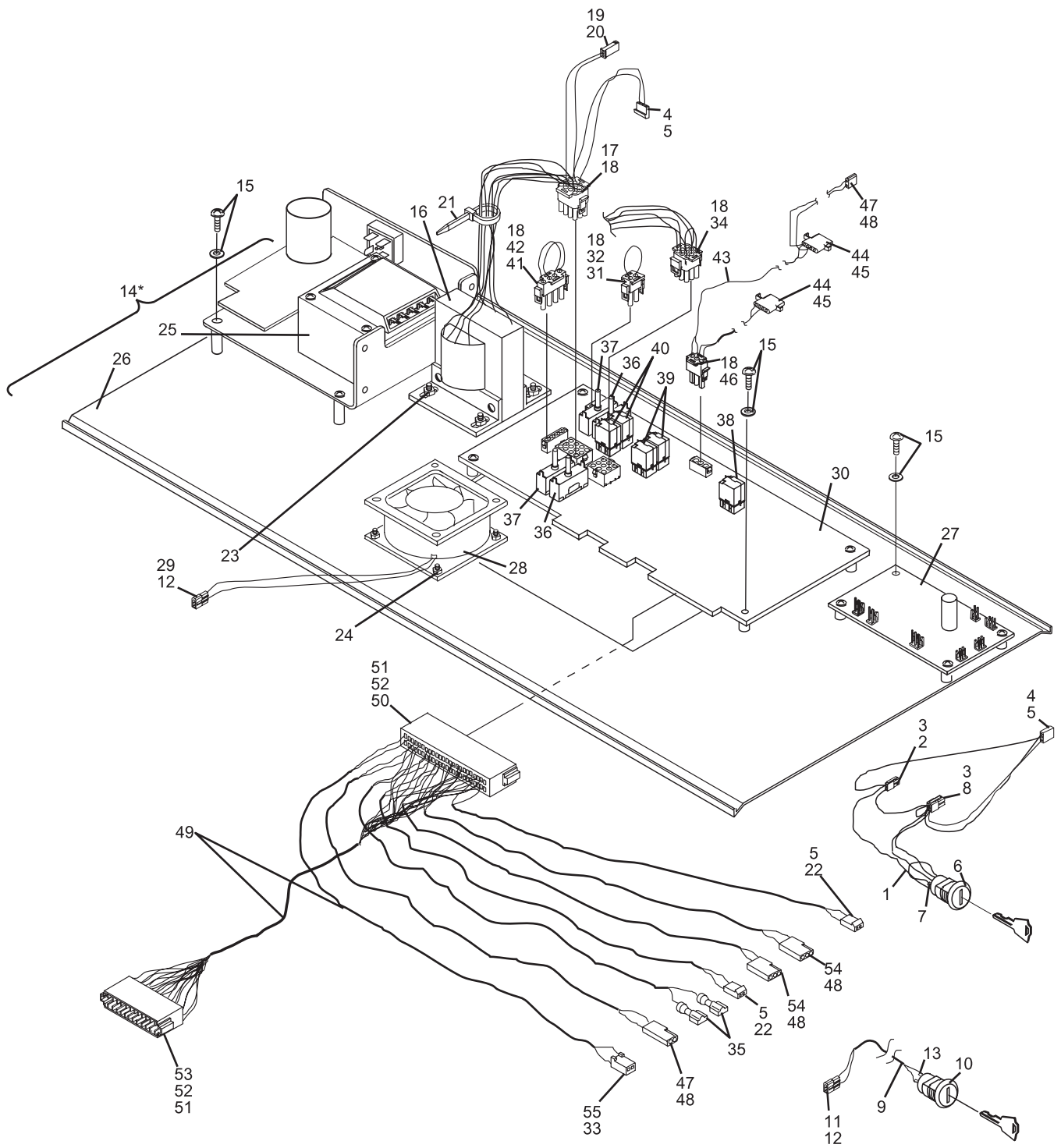
* You must contact Brunswick Customer Service to determine the correct software for your center. Call 1-800-YES-BOWL (1-800-937-2695)

N.A. = No Longer Available

Associated Interconnecting Cables

57-215229-000	A/C to CCD Processor Cable Assembly (Capping Mounted) (85')
57-215421-000	A/C to CCD Processor Cable Assembly (Curtain Wall Mounted) (115')
57-215241-000	Main Comline to A/C Cable Cable Assembly

AS-90 Power Panel



* ASSEMBLY DOES NOT
INCLUDE 43-55

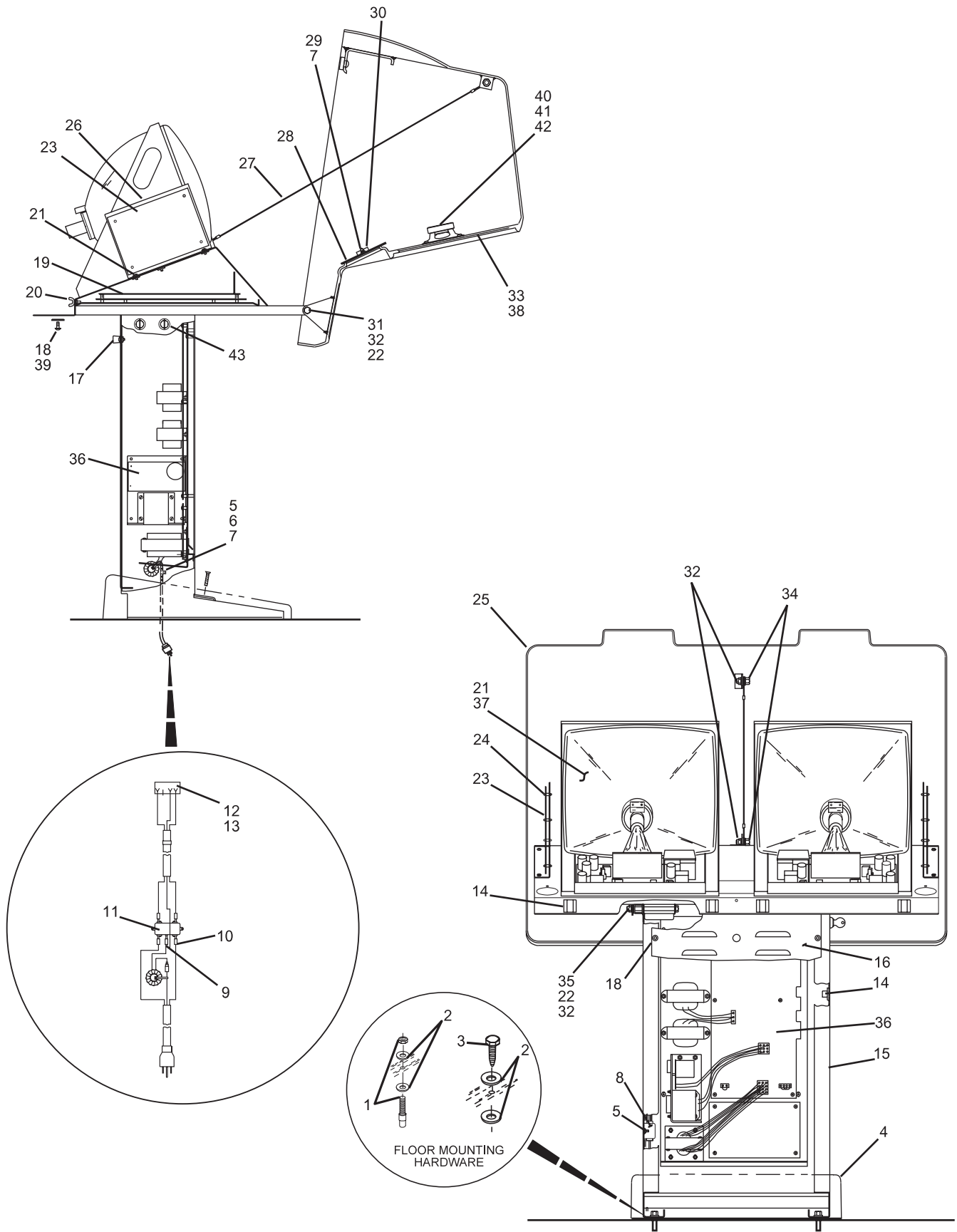
AS-90 Power Panel

Index No.	Part Number	Description
1.	11-111455-000	Hilti Stud w/Washer
2.	11-191014-001	Plain Washer (#3/8)
3.	11-070565-002	Lag Screw (#3/8 x 2")
4.	N.A.	Console Foot
5.	11-124002-001	Electrical Hex Nut
6.	11-605009-000	Rubber Coated Steel Clip
7.	11-190004-001	Plain Washer (#8)
8.	57-215531-000	Power Cord and Filter Assembly
9.	11-612153-000	Insulated Receptacle
10.	11-612152-000	Insulated Receptacle
11.	11-688572-000	RFI Filter
12.	11-696703-000	Connector
13.	11-697185-000	Terminal
14.	11-603127-000	Adjustable Releasable Clamp
15.	57-215253-000	Scorer Base
16.	57-215311-000	Scorer Base Cover
17.	57-214192-000	Door Cover Knob
18.	11-006178-001	Button Hd. Cap Screw (#1/4-20 x 1/2")
19.	*N.A.	Upper Panel Assembly
20.	11-045053-001	Thumb Screw (#8-32)
21.	11-012058-001	Pan Hd. C. R. Screw w/Lockwasher
22.	11-190012-001	Plain Washer (#5/16)
23.	*57-860688-400	Color Decoder PCB Assembly (Brunswick Repair/Exchange)
24.	11-185376-000	Nylon PCB Support
25.	57-215240-000	Scorer Console Hood
26.	N.A.	Mounting Plate Color Decoder
27.	57-215308-000	Hood Support Assembly
28.	57-860607-002	Keyboard Assembly (Brown Keys)
	57-860608-002	Keyboard Assembly (White Keys)
	57-861297-000	Keyboard Assembly (Grey Keys)
29.	11-176007-001	Keps Nut (#8-32)
30.	11-698504-000	Flat Cable Mount
31.	11-001266-001	Hex Hd. Mach. Screw (#5/16-18 x 3/4")
32.	11-170211-001	Self Locking Nut (#5/16-18)
33.	68-100616-000	Window Blank
34.	11-001262-001	Hex Hd. Mach Screw (#5/16-18 x 1/4")
35.	11-001280-000	Hex Hd. Mach Screw (#5/16-18)
36.	*N.A.	Lower Power Panel Assembly
37.	57-860620-000	Monitor 13" Color (Brunswick Repair/Exchange)
	57-860606-000	"Z" Axis Monitor Video Output Board
38.	11-900062-000	Two Face Tape
39.	12-100170-012	Washer
40.	57-862905-000	Speaker
41.	11-014024-001	Pan Hd. C.R. Mach. Screw
42.	11-176005-001	Keps Nut (#6-32)
43.	57-214176-000	Mode Switch

N.A. = No Longer Available

* You must contact Brunswick Customer Service to determine the correct software for your center. Call 1-800-YES-BOWL (1-800-937-2695)

AS-90 COLOR CONSOLE



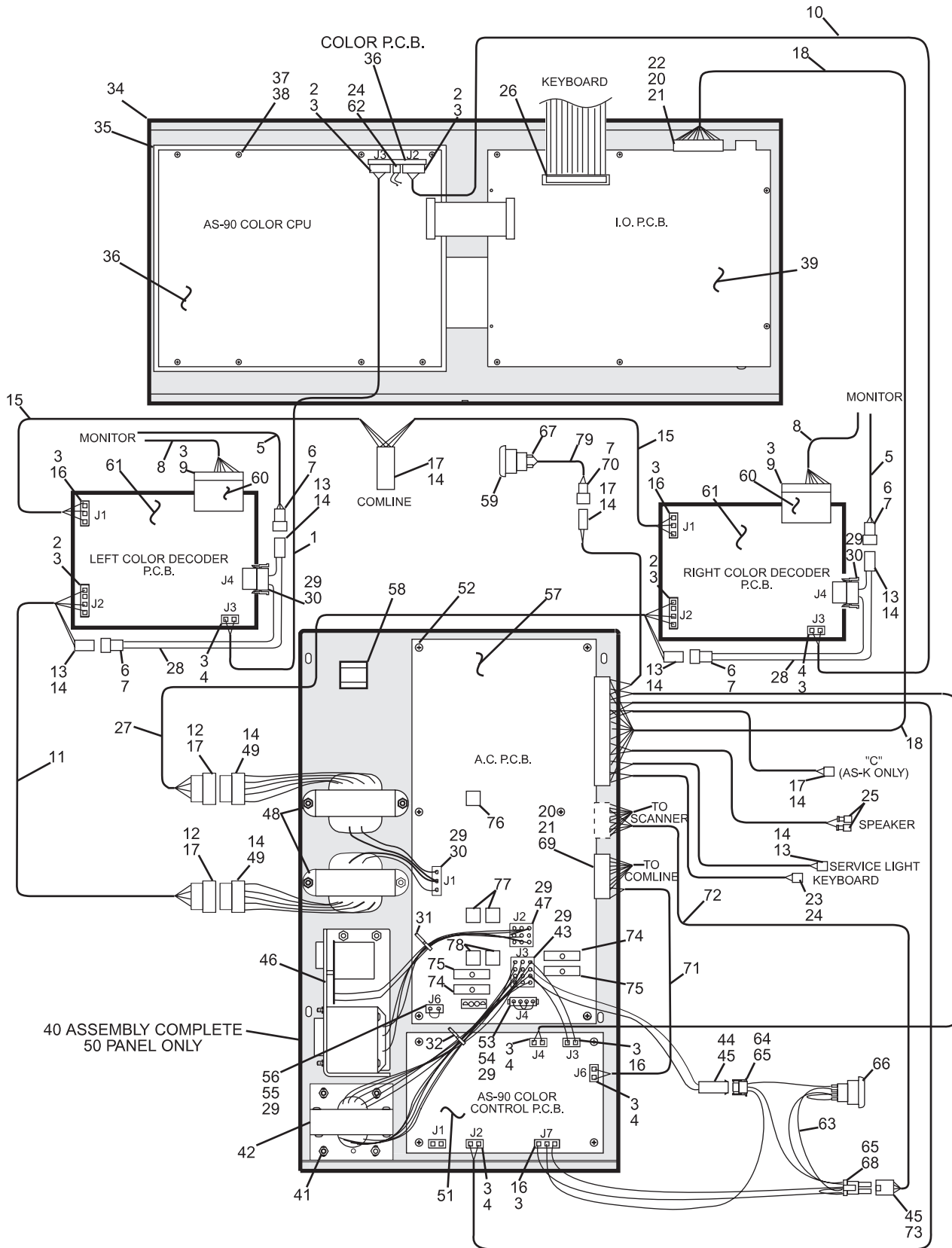
AS-90 COLOR CONSOLE

Index No.	Part Number	Description	Index No.	Part Number	Description
1.	57-215532-000	AS-90 Color to Color Decoder Cable Assembly	40.	N.A.	Lower Power Panel Assembly
2.	11-697202-000	Connector	41.	11-176005-001	Keps Nut (#6-32)
3.	11-680322-000	Terminal	42.	57-215534-000	Transformer Assembly
4.	11-697204-000	Connector	43.	11-696706-000	Connector
5.	N.A.	CRT Interface Cable Assembly	44.	11-692202-000	Connector
6.	11-680116-000	Connector	45.	11-692090-000	Terminal
7.	11-680302-000	Terminal	46.	57-860037-000	Power Supply Assembly (Brunswick Repair/Exchange)
8.	57-215304-000	Color Decoder to CRT Cable Assembly	47.	11-696705-000	Connector
9.	11-697206-000	Connector	48.	57-215302-000	Transformer
10.	57-215508-000	AS-90 Color to Color Decoder Cable Assembly	49.	11-680217-000	Connector
11.	57-215530-000	Left Isol. Transformer to Color Decoder Cable Assembly	50.	57-215528-000	Lower Power Panel
12.	11-680117-000	Connector	51.	57-860638-400	AS-90 Color Control PCB Assembly (Brunswick Repair/Exchange)
13.	11-680216-000	Connector	52.	11-012021-001	Pan Hd. C.R. w/ LockWasher (#6-32 x 5/16)
14.	11-680301-000	Terminal	53.	57-215237-000	A/C Jumper Assembly
15.	57-215513-000	AS-90 Color to Comline Cable Assembly	54.	11-696703-000	Connector
16.	11-697201-000	Connector	55.	57-215239-000	A/C Jumper Assembly
17.	11-680201-000	Terminal	56.	11-696701-000	Connector
18.	57-215533-000	A/C to I/O PCB	57.	57-860166-000	A/C PCB Assembly (Brunswick Repair/Exchange)
19.	11-696815-000	Connector	58.	11-603127-000	Adjustable Releasable Clamp
20.	11-696927-000	Terminal	59.	11-615182-000	Key Switch
21.	11-680425-000	Polarizing Key	60.	57-860627-000	Video Buffer PCB Assembly (Brunswick Repair/Exchange)
22.	11-696810-000	Connector	61.	*57-860688-400	Color Decoder PCB Assembly (Brunswick Repair/Exchange)
23.	11-697233-000	Connector	62.	11-697231-000	Connector
24.	11-680326-000	Terminal	63.	57-215535-000	A/C to Switch Lock Cable Assembly
25.	11-612151-000	Terminal	64.	N.A.	Connector
26.	57-215256-000	Keyboard to I/O PCB Cable Assembly	65.	11-692091-000	Terminal
27.	57-215536-000	Right Isol. Transformer to Color Decoder Cable Assembly	66.	11-615051-000	Switch Lock
28.	57-215252-000	AS-K "T" and AS-90 Color Decoder Cable Assembly	67.	11-612006-000	Solderless Connect
29.	11-697186-000	Terminal	68.	N.A.	Connector
30.	11-696702-000	Connector	69.	11-696803-000	Connector
31.	11-603108-000	Cable Tie	70.	11-680101-000	Connector
32.	11-603105-000	Cable Tie	71.	57-215241-000	Manager's Control Buss Tap Cable Assembly
33.	*N.A.	Upper Panel AS-90 Color Assembly	72.	57-215236-000	A/C to Switch Lock Cable Assembly
34.	57-215527-000	Upper Console Panel	73.	11-692204-000	Connector
35.	N.A.	AS-90 PBC Shield	74.	11-696626-000	Circuit Breaker
36.	57-860633-4xx	CPU PCB Assembly (Brunswick Repair/Exchange)	75.	11-696628-000	Circuit Breaker
37.	11-012020-001	Pan Hd. C.R. Screw w/Lockwasher (#6-32 x 1/4")	76.	11-672650-000	Relay (12 VDC)
38.	11-185321-000	Standoff Male to Female	77.	11-672651-000	Relay (24 VAC)
39.	57-860634-000	I/O PCB Assembly (Brunswick Repair/Exchange)	78.	11-672652-000	Relay (120 VAC)
			79.	57-214176-000	Mode Switch Cable Assembly

N.A. = No Longer Available

* You must contact Brunswick Customer Service to determine the correct software for your center. Call 1-800-YES-BOWL (1-800-937-2695)

AS-90 Color Console Electrical Panels and Cabling



AS-90 Color Console Electrical Panels and Cabling

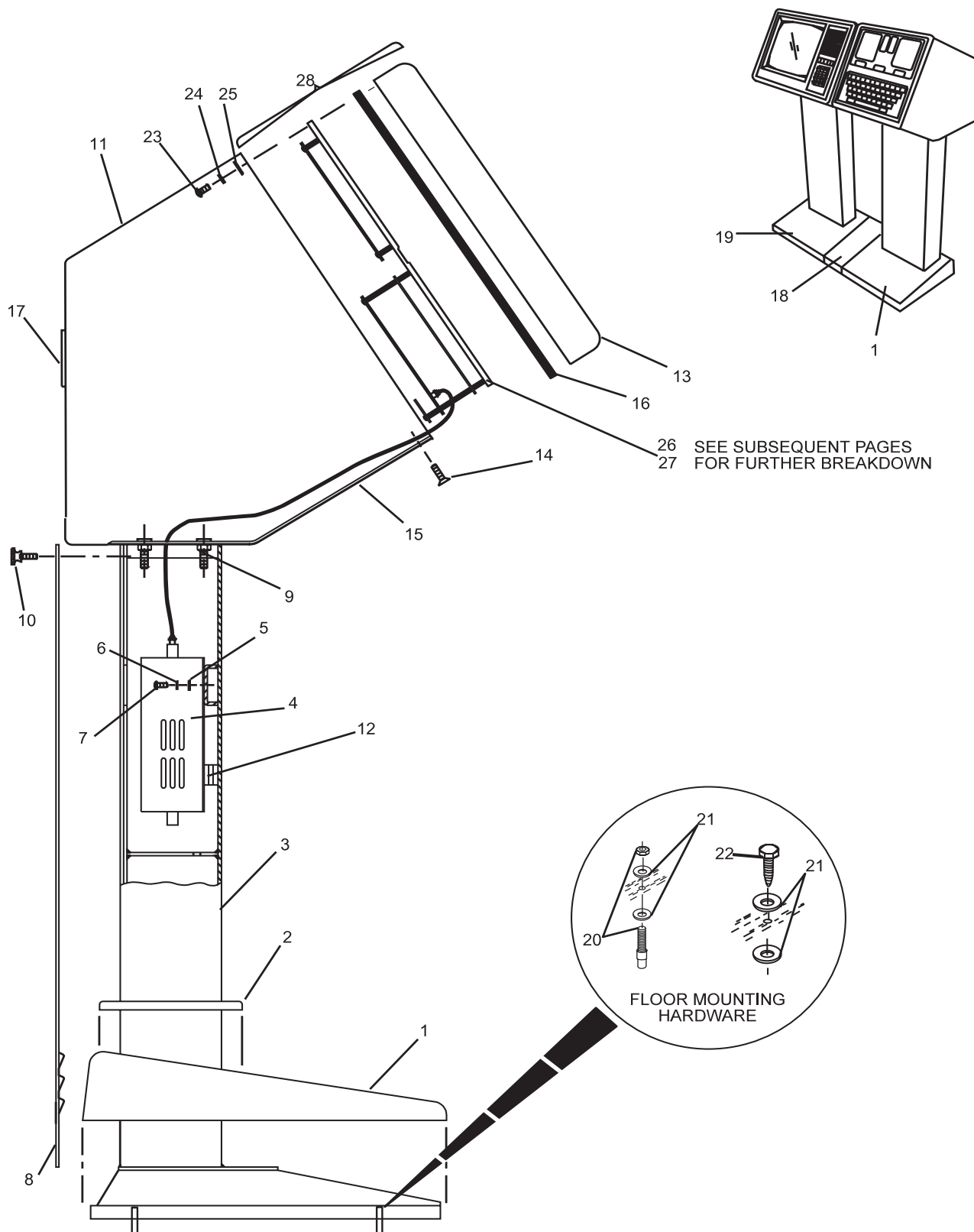
Index No.	Part No.	Description
1.	68-100451-002	Foot Cover - R.H.
2.	68-100411-000	Foot Bezel
3.	68-100351-000	Coach and Playpad Pedestal
4.	68-860036-000	Playpad Power Supply Assembly (Brunswick Repair/Exchange)
5.	11-190004-001	Washer (#8)
6.	11-195008-001	Lockwasher (#8)
7.	11-012308-001	Mach. Screw (#8-32-3/8")
8.	68-100526-000	Rear Panel Cover
9.	11-176000-001	Keps Nut (#1/4-20)
10.	57-214133-000	Finger Screw (#10-24 x 1/2")
11.	68-100353-000	Playpad Cover
12.	11-679604-000	Vibration Insulation (1/4" x 3/4" x 16")
13.	68-100241-000	Bezel
14.	11-014108-001	Flat Hd. Screw (#10-32 x 3/4")
15.	68-100556-000	Frame
16.	68-860079-000	Playpad Gasket
17.	68-100553-000	Playpad Grill
18.	68-100452-000	Partition
19.	68-100451-003	Foot Cover - L.H.
20.	11-111455-000	Hilti Concrete Stud w/Washer and Nut
21.	11-191014-001	Plain Washer (3/8")
22.	11-070565-002	Lag Screw (3/8" x 2")
23.	11-012312-001	Screw Pan Hd. C.R. Mach. Screw (#8-32 x 5/8")
24.	11-198002-001	Lockwasher (#8 External Tooth)
25.	68-100462-000	Mounting Clip
26.	*68-860088-401	Playpad Keypad Assembly (Japanese)
27.	*68-860065-400	Playpad Keypad Assembly (English)
28.	*68-860087-401	Playpad Console Assembly (Japanese) - Complete

* You must contact Brunswick Customer Service to determine the correct software for your center. Call 1-800-YES-BOWL (1-800-937-2695)

Associated Interconnecting Cables

68-100215-000	Local Comline "Y" Cable Assembly (1')
68-100367-000	External Power "Out" Cable Assembly (from Playpad Transformer to Playpad PCB)
68-100477-000	Service Light Cable (GS-92 Pinsetter only)
68-100330-000	Local Comline Cable Assembly (110')
68-100327-000	Local Comline Cable Assembly (15')

BowlerVision Playpad Console (1988-1991)



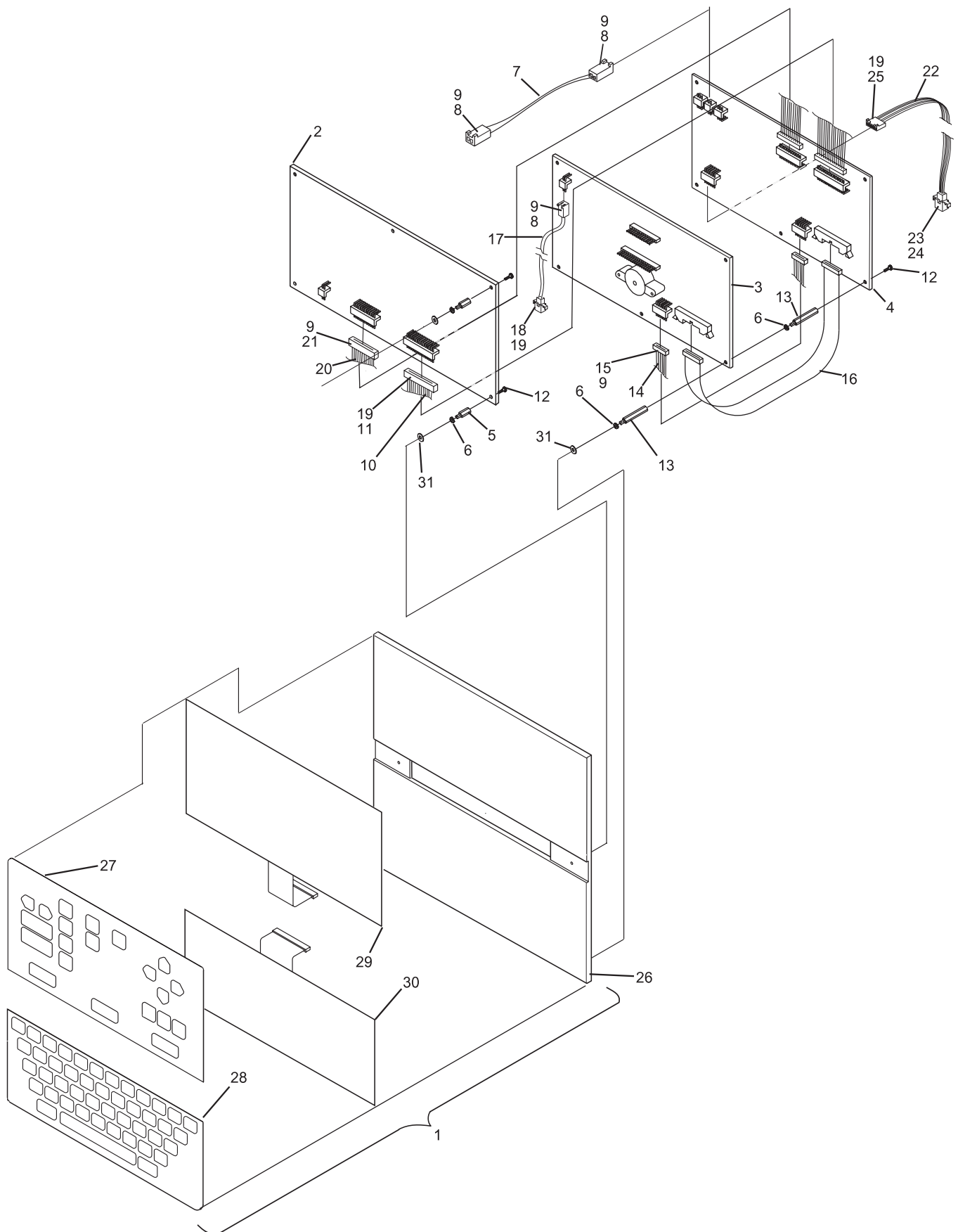
BowlerVision Playpad Console (1988-1991)

Index No.	Part No.	Description
1.	68-100605-000	Playpad Keypad Assembly (English) (Brunswick Repair/Exchange)
	68-100562-000	Playpad Keypad Assembly (Japanese NBK Repair/Exchange)
2.	N.A.	LED PCB Assembly (Brunswick Repair/Exchange)
3.	*68-100026-400	Control 1 PCB Assembly (English) (Brunswick Repair/Exchange)
	*68-100558-401	Control 1 PCB Assembly (Japanese NBK Repair/Exchange)
4.	N.A.	Control 2 PCB Assembly (Brunswick Repair/Exchange)
5.	11-185317-000	Spacer
6.	11-198001-001	Lockwasher (External Tooth)
7.	68-100224-000	Cable Assembly
8.	11-697233-000	Connector
9.	11-680326-000	Terminal
10.	68-100227-000	Cable Assembly
11.	11-697613-000	Connector
12.	11-017041-001	Round Hd. C. R. Screw (#6-32 x 3/8")
13.	11-185318-000	Spacer
14.	68-100225-000	Cable Assembly
15.	11-697239-000	Connector
16.	68-100248-000	Ribbon Cable Assembly
17.	68-100478-000	Service Light Cable Assembly
18.	11-680116-000	Connector
19.	11-680302-000	Terminal
20.	68-100226-000	Cable Assembly
21.	11-697242-000	Connector
22.	68-100367-000	Cable Assembly
23.	11-697205-000	Connector
24.	11-680322-000	Terminal
25.	11-680107-000	Connector
26.	68-100283-000	Playpad Backing Plate
27.	N.A.	Upper Keyboard Membrane Overlay (English)
	N.A.	Upper Keyboard Membrane Overlay (Japanese)
28.	N.A.	Lower Keyboard Membrane Overlay (English)
	N.A.	Lower Keyboard Membrane Overlay (Japanese)
29.	N.A.	Upper Keyswitch Array
30.	N.A.	Lower Keyswitch Array (English)
	N.A.	Lower Keyswitch Array (Japanese)
31.	11-192009-000	Nylon Washer (.156 ID. x .31 O.D.)

* You must contact Brunswick Customer Service to determine the correct software for your center. Call 1-800-YES-BOWL (1-800-937-2695)

N.A. = No Longer Available

BowlerVision Playpad Components (1988-1991)



BowlerVision Playpad Components (1988-1991)

Index No.	Part No.	Description
1.	68-100351-000	Coach Frame
2.	68-100427-000	CRT Frame
3.	68-860037-000	BNC to "DIN" Type Adapter (Brunswick Repair/Exchange)
4.	*57-860273-000	Monitor Assembly (Brunswick Repair/Exchange)
5.	11-603108-000	Tie Wrap
6.	11-013098-001	Pan Hd. C. R. Mach. Screw (#10-32 x 5/8")
7.	11-190006-001	Washer (#10)
8.	68-100532-000	CRT Cover
9.	11-014108-001	Flat Hd. C. R. Mach. Screw (#10-32 x 3/4")
10.	68-100451-003	Foot Cover L.H.
11.	68-100411-000	Foot Bezel
12.	11-176000-001	Keps Nut (#1/4-20)
13.	57-214133-000	Finger Screw ((#10-24 x 1/2")
14.	68-100526-000	Rear Panel Cover
15.	68-100525-000	Coach Keypad Power Cord
16.	68-100530-000	Spring Clip
17.	68-100301-026	"NEXT" Keycap
18.	68-100301-025	"INTERCOM" Keycap
19.	68-100301-024	"MENU" Keycap
20.	68-100301-023	"BACK" Keycap
21.	68-100301-022	"ENTER" Keycap
22.	68-100301-021	"CANCEL" Keycap
23.	68-100301-020	"0" Keycap
24.	68-100301-019	"9" Keycap
25.	68-100301-018	"8" Keycap
26.	68-100301-017	"7" Keycap
27.	68-100301-016	"6" Keycap
28.	68-100301-015	"5" Keycap
29.	68-100301-014	"4" Keycap
30.	68-100301-013	"3" Keycap
31.	68-100301-012	"2" Keycap
32.	68-100301-011	"1" Keycap
33.	68-100552-000	Large Coach Grill
34.	68-100553-000	Small Coach Grill
35.	11-111455-000	Hilti Concrete Stud w/Washer and Nut
36.	11-191014-001	Plain Washer (3/8")
37.	11-070565-002	Lag Screw (3/8" x 2")
38.	**68-860017-402	Coach R/S232 Comline Box (Brunswick Repair/Exchange)

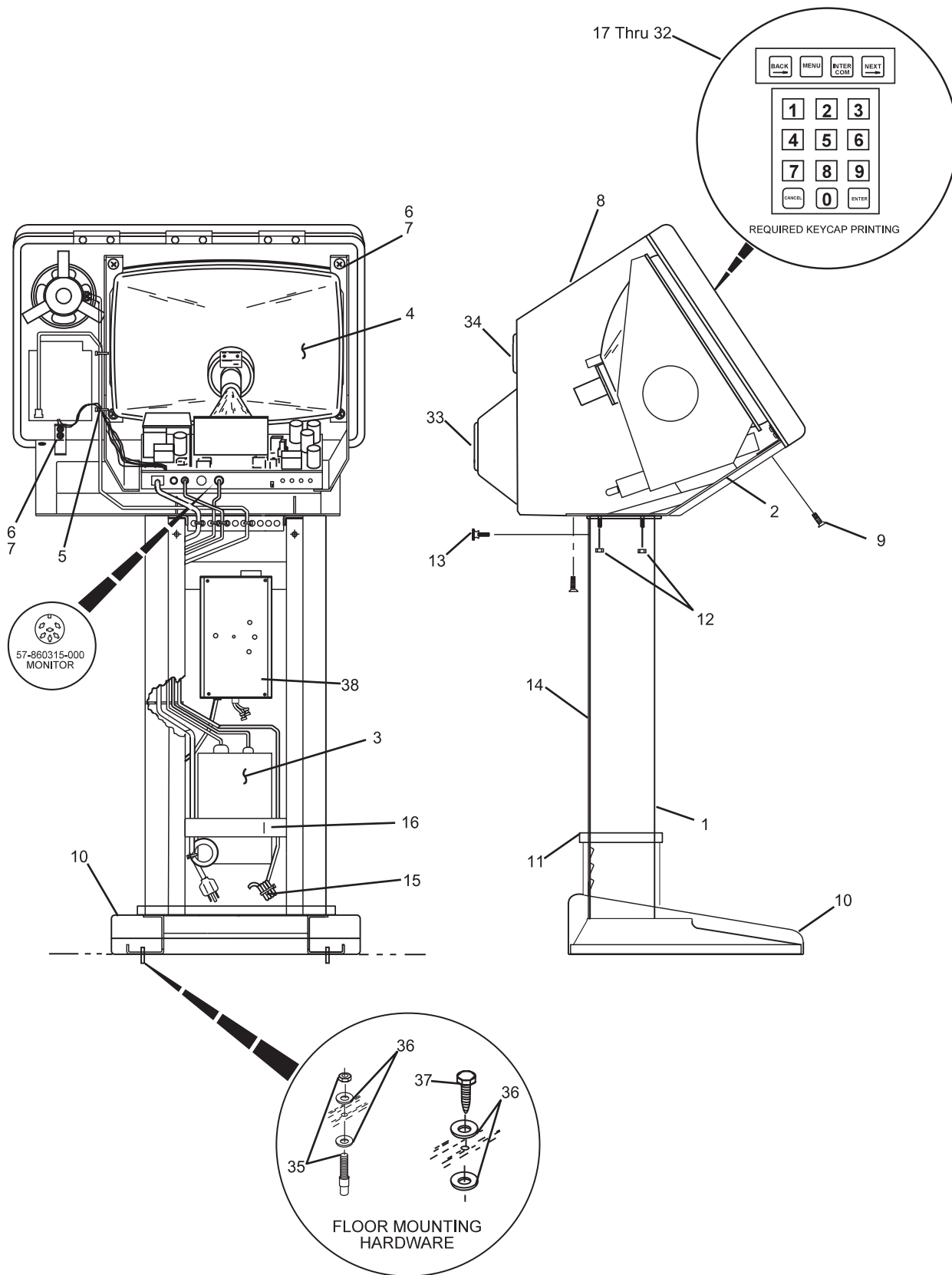
* When replacing 57-860315-000 monitor, order 57-860273-000 monitor and 68-100579-000 BNC to "D" type adapter. (Will replace Index No. 3)

** You must contact Brunswick Customer Service to determine the correct software for your center. Call 1-800-YES-BOWL (1-800-937-2695)

Associated Interconnecting Cables

68-100467-000	RGBSA Video Coax Cable Assembly (from RGB Din Box Adapter to Lane Pair Video Switcher)
68-100325-000	Coach Keypad Power Cord (from Coach Keypad to Power Supply in base)
68-100327-000	Local Comline Cable Assembly (15')

BowlerVision Coach (1988-1991)

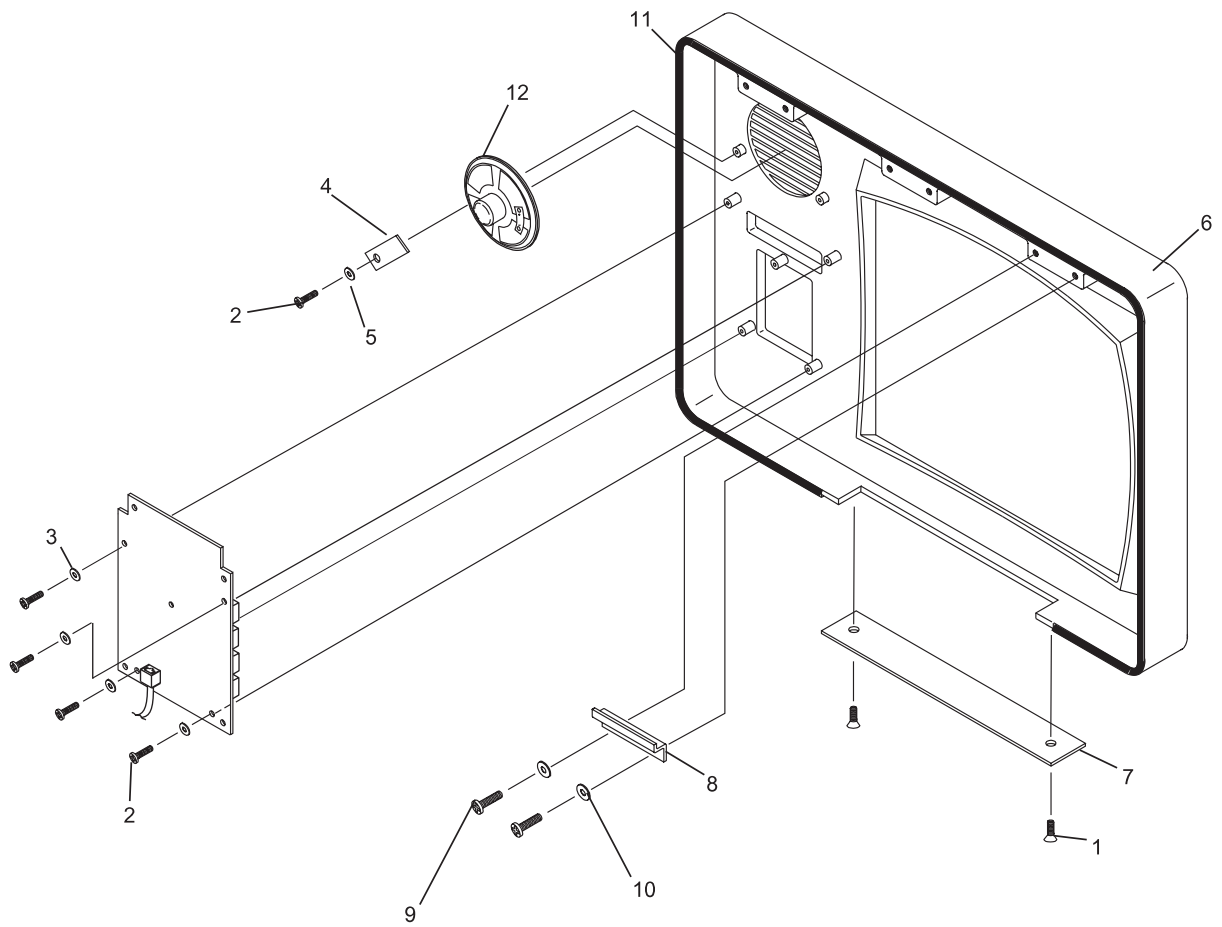


BowlerVision Coach (1988-1991)

Index No.	Part No.	Description
1.	11-014061-004	Flat Hd. C.R. Mach. Screw (#8-32 x 5/16")
2.	11-012254-001	Pan Hd. C.R. Mach. Screw (#4-40 x 3/8")
3.	11-198000-001	External Washer (#4)
4.	68-100527-000	Speaker Clip
5.	11-190000-001	Washer (#4)
6.	N.A.	Front Bezel
7.	68-100529-000	Bezel Plate
8.	68-100528-000	Bezel Bracket
9.	11-012308-001	Pan Hd, C.R. Mach. Screw (#8-32 x 3/8")
10.	11-190004-001	Washer (#8)
11.	68-860078-000	Gasket
12.	N.A.	Speaker

N.A. = No Longer Available

BowlerVision Coach Bezel (1988-1991)



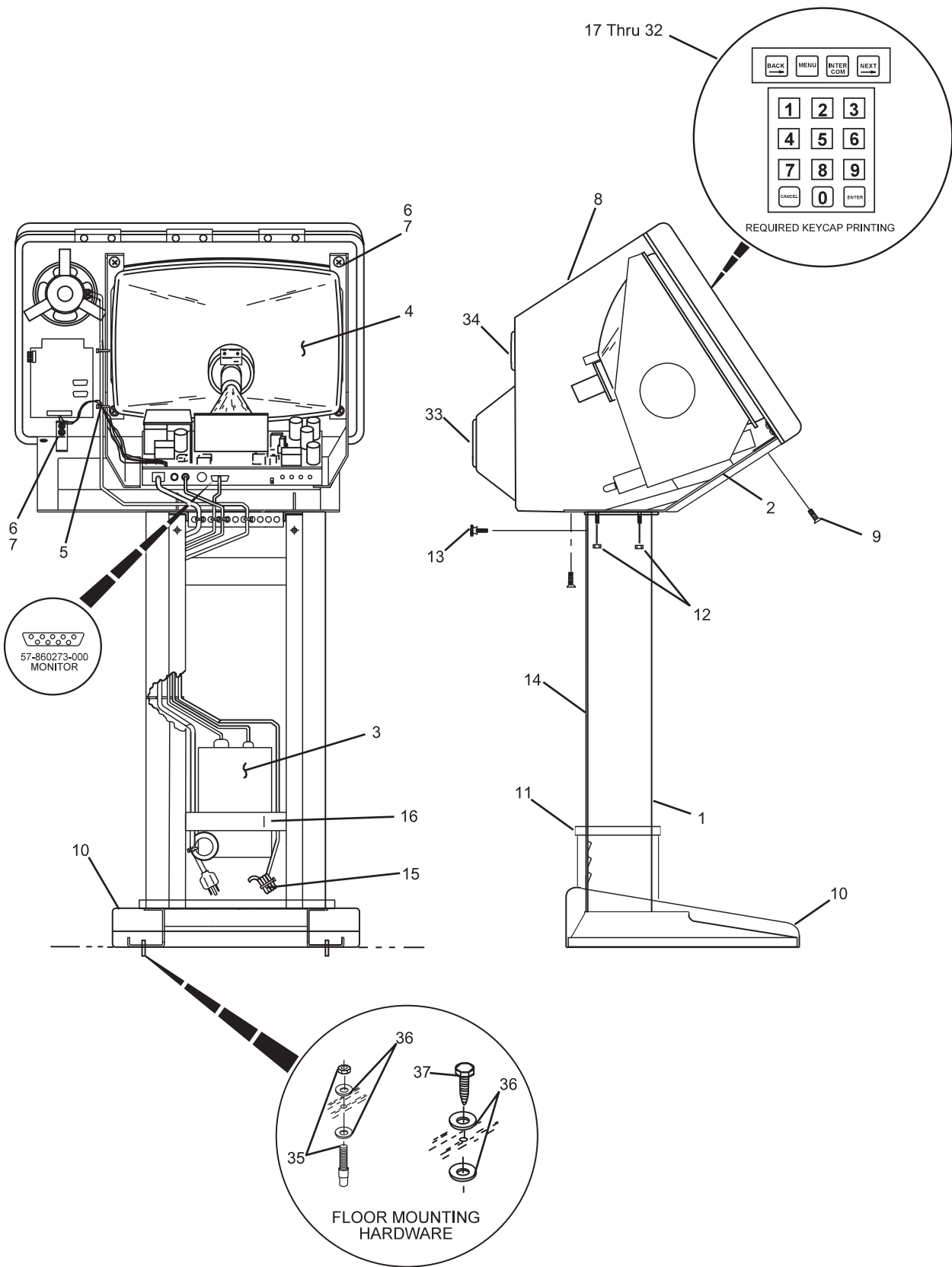
BowlerVision Coach Bezel (1988-1991)

Index

No.	Part No.	Description
1.	68-100351-000	Coach Frame
2.	68-100427-000	CRT Frame
3.	68-860109-000	BNC to D Type Adapter Assembly (Brunswick Repair/Exchange)
4.	57-860273-000	Monitor Assembly (Brunswick Repair/Exchange)
5.	11-603108-000	Tie Wrap
6.	11-013098-001	Pan Hd. C. R. Mach. Screw (#10-32 x 5/8")
7.	11-190006-001	Washer (#10)
8.	68-100532-000	CRT Cover
9.	11-014108-001	Flat Hd. C. R. Mach. Screw (#10-32 x 3/4")
10.	68-100451-003	Foot Cover - L.H.
11.	68-100411-000	Foot Bezel
12.	11-176000-001	Keps Nut
13.	57-214133-000	Finger Screw (#10-24 x 1/2")
14.	68-100526-000	Rear Panel Cover
15.	68-100525-000	Coach Keypad Power Cord
16.	68-100530-000	Spring Clip (#8)
17.	68-100393-016	"NEXT" Keycap
18.	68-100393-015	"INTERCOM" Keycap
19.	68-100393-014	"MENU" Keycap
20.	68-100393-013	"BACK" Keycap
21.	68-100393-012	"ENTER" Keycap
22.	68-100393-011	"CANCEL" Keycap
23.	68-100393-010	"0" Keycap
24.	68-100393-009	"9" Keycap
25.	68-100393-008	"8" Keycap
26.	68-100393-007	"7" Keycap
27.	68-100393-006	"6" Keycap
28.	68-100393-005	"5" Keycap
29.	68-100393-004	"4" Keycap
30.	68-100393-003	"3" Keycap
31.	68-100393-002	"2" Keycap
32.	68-100393-001	"1" Keycap
33.	68-100552-000	Large Coach Grill
34.	68-100553-000	Small Coach Grill
35.	11-111455-000	Hilti Concrete Stud wWasher and Nut
36.	11-191014-001	Plain Washer (3/8")
37.	11-070565-002	Lag Screw (3/8" x 2")

Associated Interconnecting Cables

68-100467-000	RGBSA Video Coax Cable Assembly (from RGB "D" Adapter to Lane Pair Video Switcher) (110')
68-100327-000	Local Comline Cable Assembly (15')
68-100525-000	Coach Keypad Power Cord
68-100215-000	Comline "Y" Cable Assembly
68-100550-000	Intercom Cable Assembly (Optional)



BowlerVision Coach (1991-Later)

Index No.	Part No.	Description
1.	11-014061-004	Flat Hd. C.R. Mach. Screw (#8-32 x 5/16")
2.	*68-860153-000	Coach Control PCB (Brunswick Repair/Exchange)
3.	11-012254-001	Pan Hd. C.R. Mach. Screw (#4-40 x 3/8")
4.	11-198000-001	External Washer (#4)
5.	68-100527-000	Speaker Clip
6.	11-190000-001	Washer (#4)
7.	N.A.	Front Bezel
8.	68-100529-000	Bezel Plate
9.	68-100528-000	Bezel Bracket
10.	11-012308-001	Pan Hd, C.R. Mach. Screw (#8-32 x 3/8")
11.	11-190004-001	Washer (#8)
12.	11-185381-000	PCB Support
13.	68-100520-000	Coach Keypad PCB (Brunswick Repair/Exchange)
14.	68-860078-000	Gasket
15.	68-100522-000	Coach Keypad Cable Assembly
16.	11-697218-000	Terminal
17.	11-680326-000	Terminal
18.	N.A.	Speaker

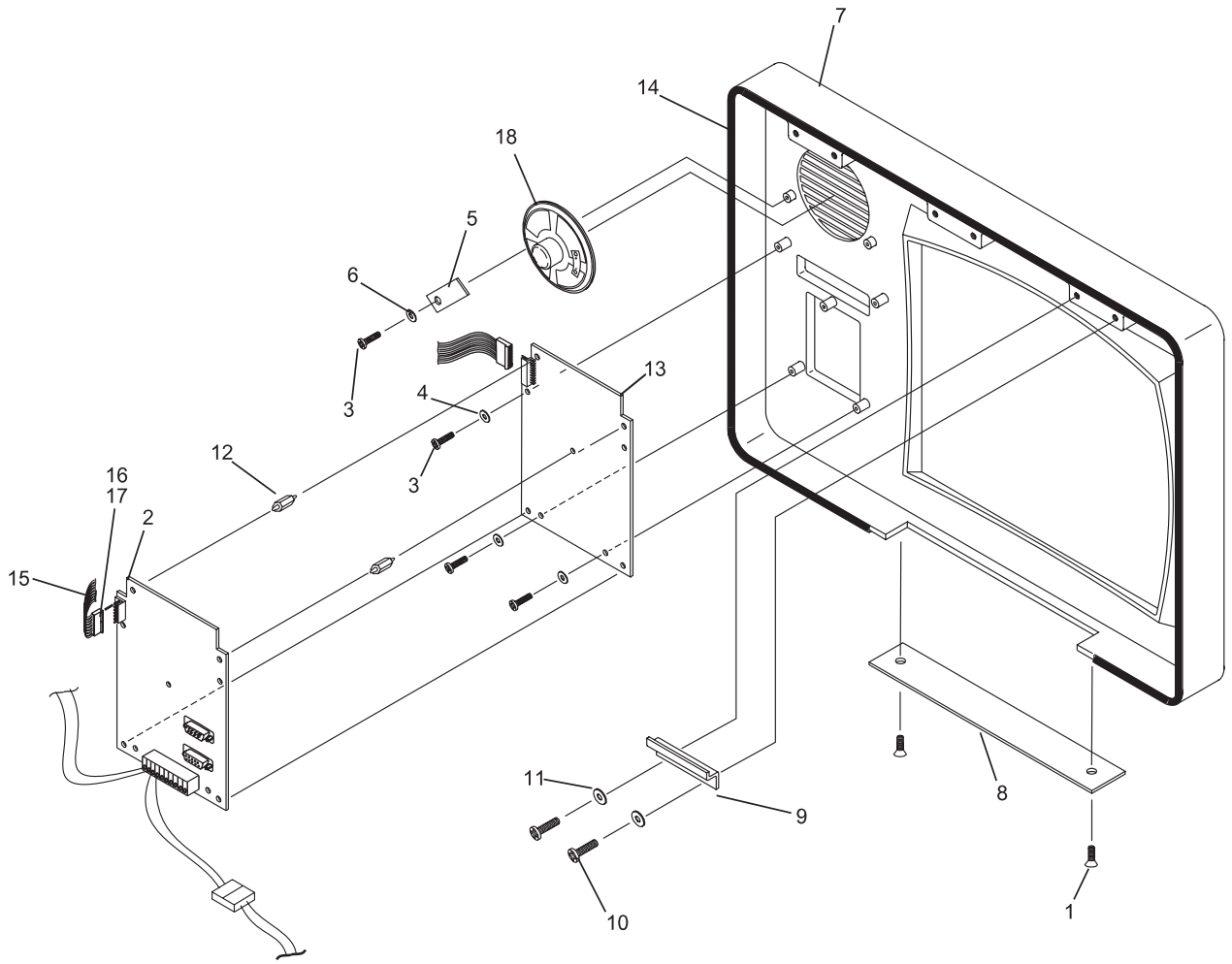
* You must contact Brunswick Customer Service to determine the correct software for your center. Call 1-800-YES-BOWL (1-800-937-2695)

N.A. = No Longer Available

Associated Interconnecting Cables

68-100525-000	Coach Keypad Power Cord (from Keypad to Power Supply)
68-100550-000	Intercom Cable Assembly (Optional)

BowlerVision Coach Bezel (1991 and Later)



BowlerVision Coach Bezel (1991 and Later)

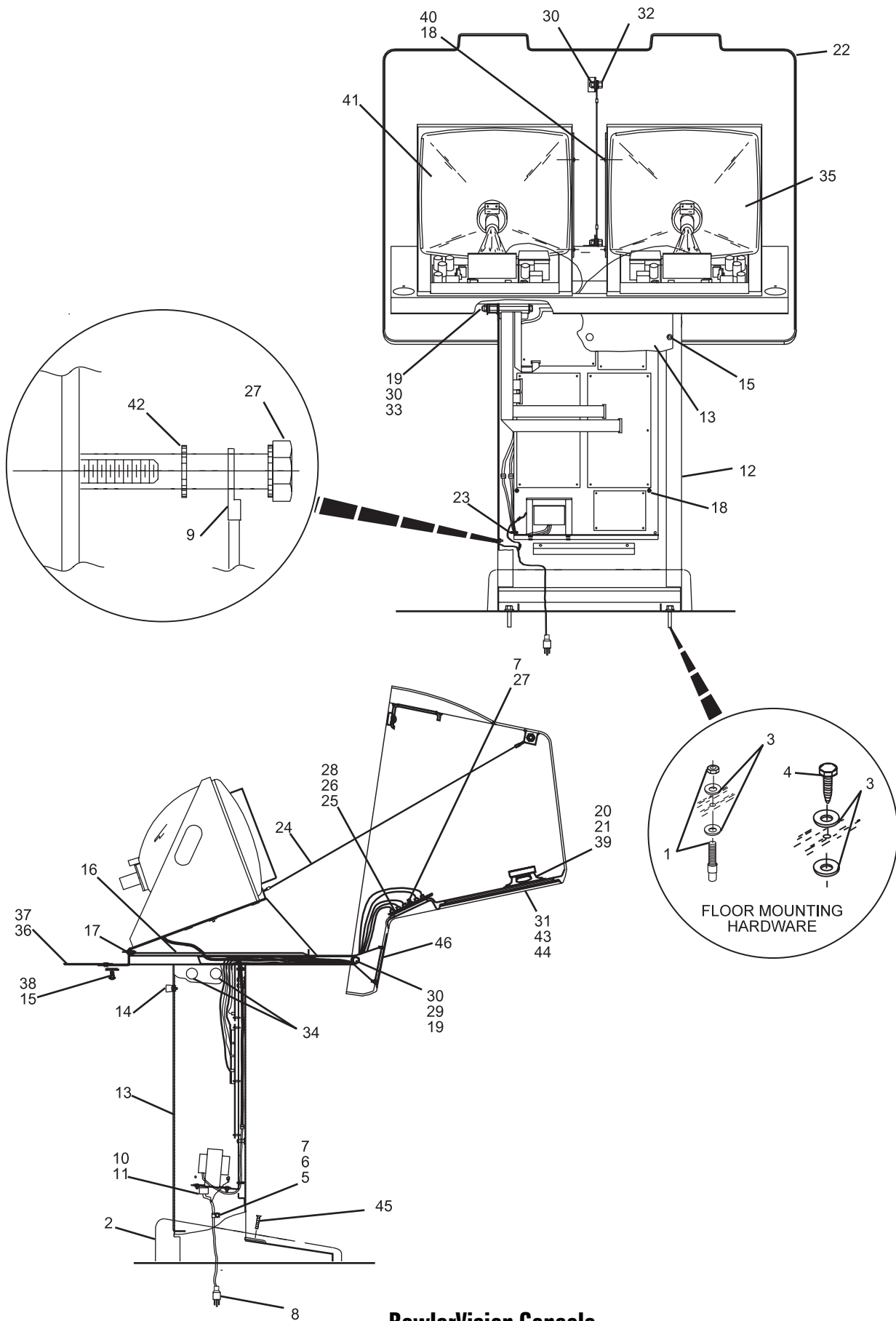
Index No.	Part No.	Description
1.	11-111455-000	Hilti Concrete Stud w/Washer and Nut
2.	N.A.	Console Foot
3.	11-191014-001	Plain Washer (3/8")
4.	11-070565-002	Lag Screw (3/8" x 2")
5.	11-124002-001	Electrical Hex Nut (#8-32)
6.	11-605009-000	Rubber Coated Steel Clip
7.	11-190004-001	Plain Washer (#8)
8.	17-213808-091	Cord Set
9.	11-612010-000	Terminal
10.	11-696701-000	Connector
11.	11-697185-000	Terminal
12.	57-215253-000	Scorer Base Weldment
13.	57-215311-000	Back Cover Assembly
14.	57-214192-000	Back Cover Door - Knob
15.	11-006178-001	Button Hd. Cap Screw (#1/4-20 x 1/2")
16.	68-100744-000	Upper Console Panel
17.	11-012310-001	Pan Hd. C. R. Screw (#8-32 x 1/2")
18.	11-012058-001	Pan Hd. Cap C. R. w/Lockwasher (#8-32 x 3/8")
19.	11-190012-001	Plain Washer (#5/16)
20.	11-014024-001	Flat Hd. C. R. Screw (#6-32 x 1/2")
21.	11-176005-001	Keps Nut (#6-32)
22.	57-215240-000	Scorer Console Hood
23.	11-603108-000	Cable Tie
24.	57-215308-000	Hood Support Assembly
25.	68-100646-000	Backing Plate
26.	68-860146-000	Key Board Assembly
27.	11-176007-001	Keps Nut (#8-32)
28.	68-100635-000	PCB Shield
29.	11-001266-001	Hex Hd. Mach. Screw
30.	11-170211-001	Self Lock Nut (#5/16-18)
31.	68-100616-000	BowlerVision Window Assembly
32.	11-001262-001	Hex Hd. Mach. Screw (#5/16 x 3/4")
33.	11-001280-000	Hex Hd. Mach. Screw (#5/16 x 4")
34.	11-607050-000	Double "D" Plug
35.	57-215431-000	13" Color Monitor - L.H. (Brunswick Repair/Exchange)
36.	57-215336-000	Tab
37.	11-293507-000	Rivet (3/16" Dia. x .12)
38.	12-100170-012	Washer (1" Dia.)
39.	57-862905-000	Speaker
40.	68-100608-000	Speaker Shield
41.	57-860620-010	13" Color Monitor - R.H. (Brunswick Repair/Exchange)
42.	11-198002-001	External Tooth Lockwasher
43.	57-215281-091	Speaker Screen
44.	11-900062-000	Tape
45.	11-014090-009	Flat Hd. C. R. Mach. Screw (#10-20 x 1")
46.	57-214519-051	Laminate Insert

N.A. = No Longer Available

Associated Interconnecting Cables

68-300234-000	Local Comline Cable Assembly (BowlerVision with A-2 Pinsetter only)
68-300239-000	Playpad Service Light Cable Assembly (J6 on A/P Controller)
68-100467-000	RGBSA Video Cable Assembly (BowlerVision Console to Video Switcher)
68-100656-000	Lower Right Fourth Monitor Video Cable Assembly

BowlerVision Console



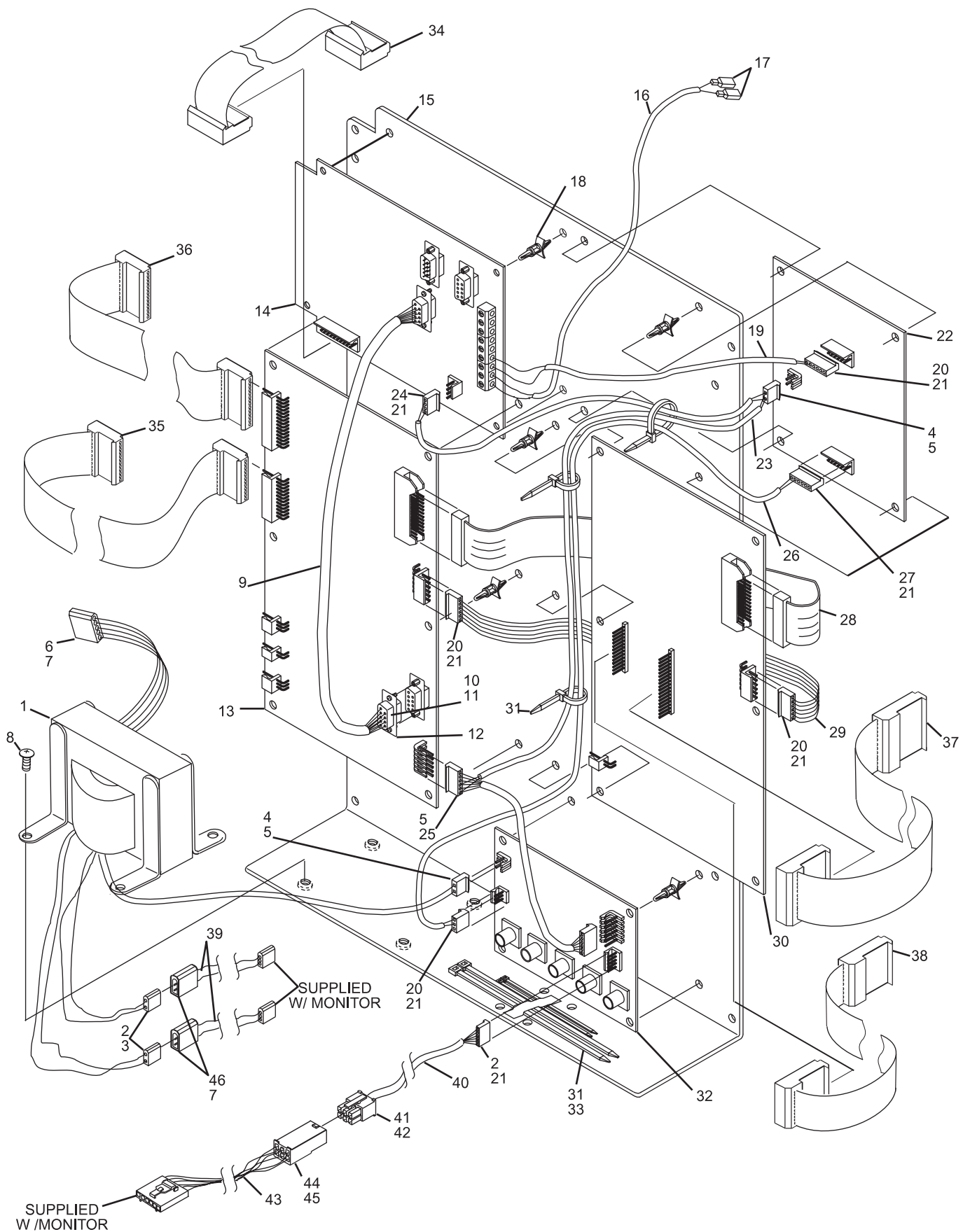
BowlerVision Console

Index No.	Part No.	Description
1.	68-860147-000	BowlerVision Transformer Assembly
2.	11-680216-000	Connector
3.	11-680301-000	Terminal
4.	11-697204-000	Connector
5.	11-680322-000	Terminal
6.	11-680117-000	Connector
7.	11-680302-000	Terminal
8.	11-012058-001	Pan Hd. C.R. Screw w/Internal Lockwasher (8-32 x 3/8")
9.	68-100636-000	Control 2 to Coach Cable Assembly
10.	11-680985-000	Connector
11.	11-680981-000	Terminal
12.	11-680988-000	Screw Retainer
13.	68-860150-000	Playpad Control 2 PCB Assembly (Brunswick Repair/Exchange)
14.	68-860153-000	Coach Control P.C.B. Assembly (Brunswick Repair/Exchange)
15.	68-100719-000	BowlerVision Console Power Panel
16.	68-100644-000	Terminal Block to Speaker Cable Assembly
17.	11-612151-000	Terminal
18.	11-185376-000	PCB Locking Support
19.	68-100642-000	Audio Amp to Terminal Cable Assembly
20.	11-697239-000	Connector
21.	11-680326-000	Terminal
22.	68-860151-000	Audio Amplifier PCB Assembly (Brunswick Repair/Exchange)
23.	68-100741-000	Power Out Cable Assembly
24.	11-697238-000	Connector
25.	11-697205-000	Connector
26.	68-100739-000	Audio Amp to BowlerVision Cable Assembly
27.	11-697237-000	Connector
28.	68-100623-000	Control Board Interconnect Ribbon Cable Assembly
29.	68-100622-000	Control 2 to Control 1 Cable Assembly
30.	*68-100026-400	Playpad Control 1 PCB Assembly (Brunswick Repair/Exchange)
31.	11-603108-000	Cable Tie
32.	68-860148-000	BowlerVision PCB Assembly (Brunswick Repair/Exchange)
33.	11-603105-000	Cable Tie
34.	68-100747-000	Ribbon Cable Assembly
35.	68-100748-000	Keyboard to Coach Control Ribbon Cable Assembly
36.	68-100750-000	Ribbon Cable Assembly
37.	68-100737-000	Ribbon Cable Assembly
38.	68-100749-000	Ribbon Cable Assembly
39.	N.A.	CRT Interface Cable Assembly
40.	68-100738-000	Video Input to Monitor Cable Assembly
41.	11-692306-000	Connector
42.	11-692091-000	Terminal
43.	68-100657-000	To CRT Cable Assembly
44.	N.A.	Connector
45.	11-692090-000	Terminal
46.	11-680116-000	Connector

* You must contact Brunswick Customer Service to determine the correct software for your center. Call 1-800-YES-BOWL (1-800-937-2695)

N.A. = No Longer Available

BowlerVision Console Power Panel Assembly



BowlerVision Console Power Panel Assembly

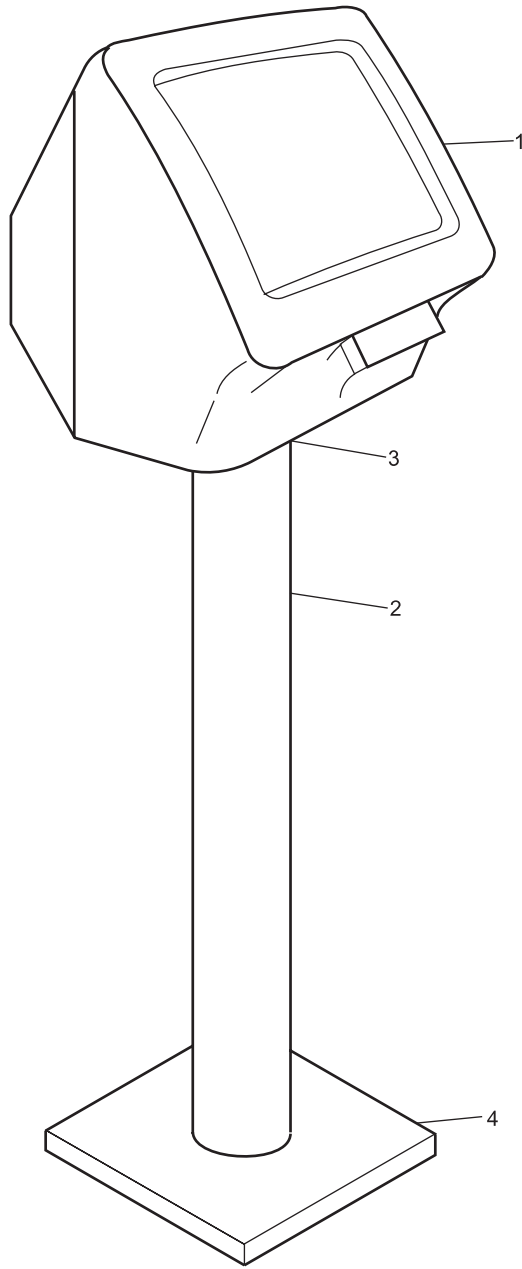
Index

No.	Part No.	Description
1.	57-860390-000	Bowler Express Lane Terminal
2.	57-860379-000	Chrome Mounting Pole
3.	57-860418-000	Chrome Mounting Pole Hardware
4.	57-860014-000	Floor Mounting Hardware

Associated Interconnecting Cables

27-619042-000	Office Computer to Terminal Data Cable (Four Conductor Phone Cable)
---------------	---

**Bowler Express Lane Terminal
or Concourse Unit**



**Bowler Express Lane Terminal
or Concourse Unit**

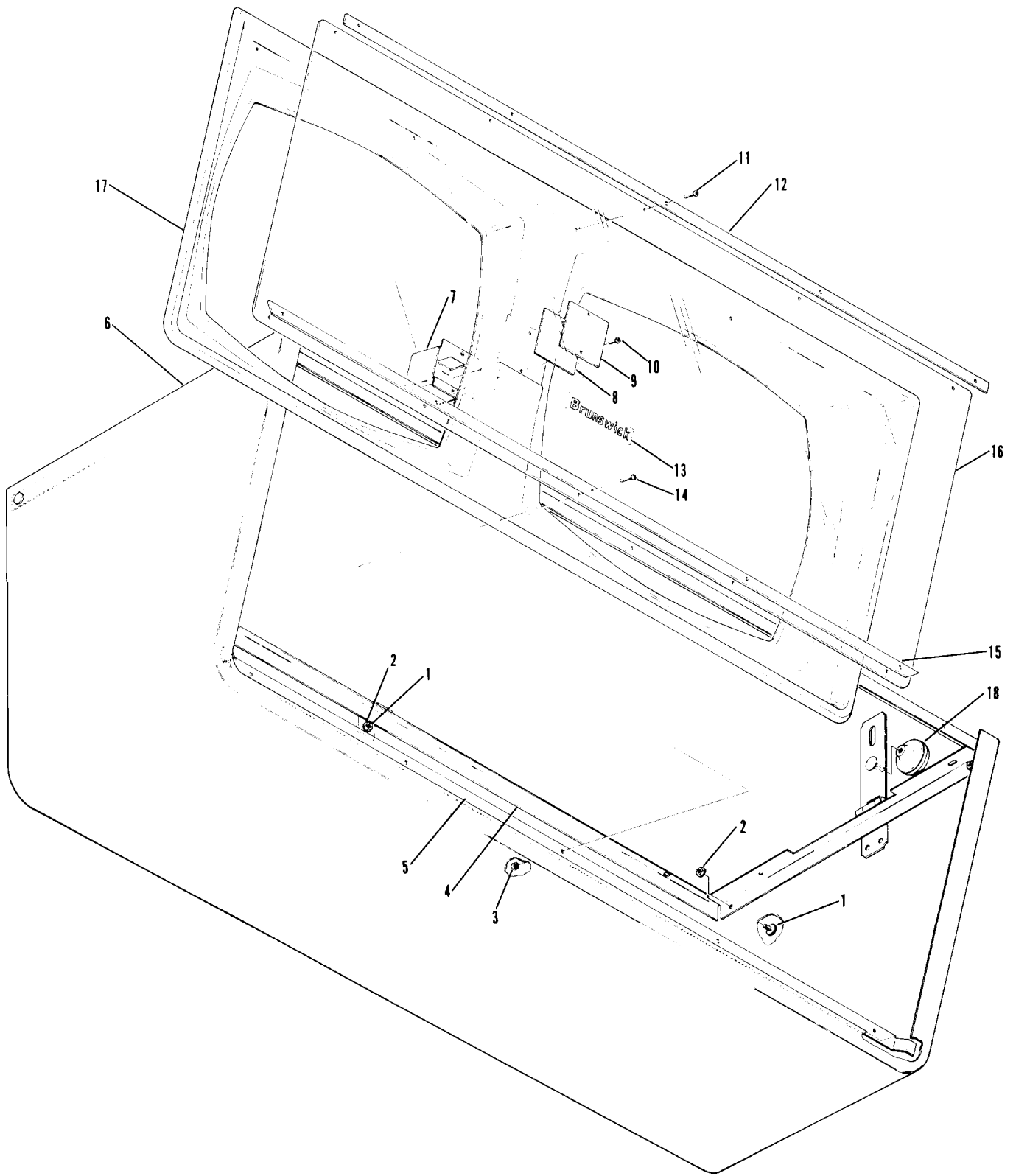
Section D

OVERHEADS

Index No.	Part No.	Description
1.	54-100107-000	T. Hd. Nib Screw (1/4-20 x 9/16")
2.	11-176000-001	Keps Nut (1/4-20)
3.	11-176007-001	Keps Nut (#8-32)
4.	N.A.	Cabinet Frame Weldment
5.	N.A.	Mounting Strap
6.	57-214063-000	Overhead Cabinet Only
7.	N.A.	Service Light Housing
8.	N.A.	Red Filter
9.	N.A.	Lens
10.	N.A.	Round Hd. C.R. Screw (#6-32 x 1/2")
11.	N.A.	Round Hd. C.R. Screw (#8-32 x 1/2")
12.	N.A.	Upper Metal Strip
13.	57-214132-000	"Brunswick" Decal
14.	N.A.	Round Hd. Self Tapping Screw (#8-32 x 3/4")
15.	N.A.	Bottom Metal Strip
16.	57-860073-000	Window
17.	N.A.	Face
18.	11-670101-000	Control Ball

N.A. = No Longer Available

B & W Overhead Cabinet & Face Assembly



B & W Overhead Cabinet & Face Assembly

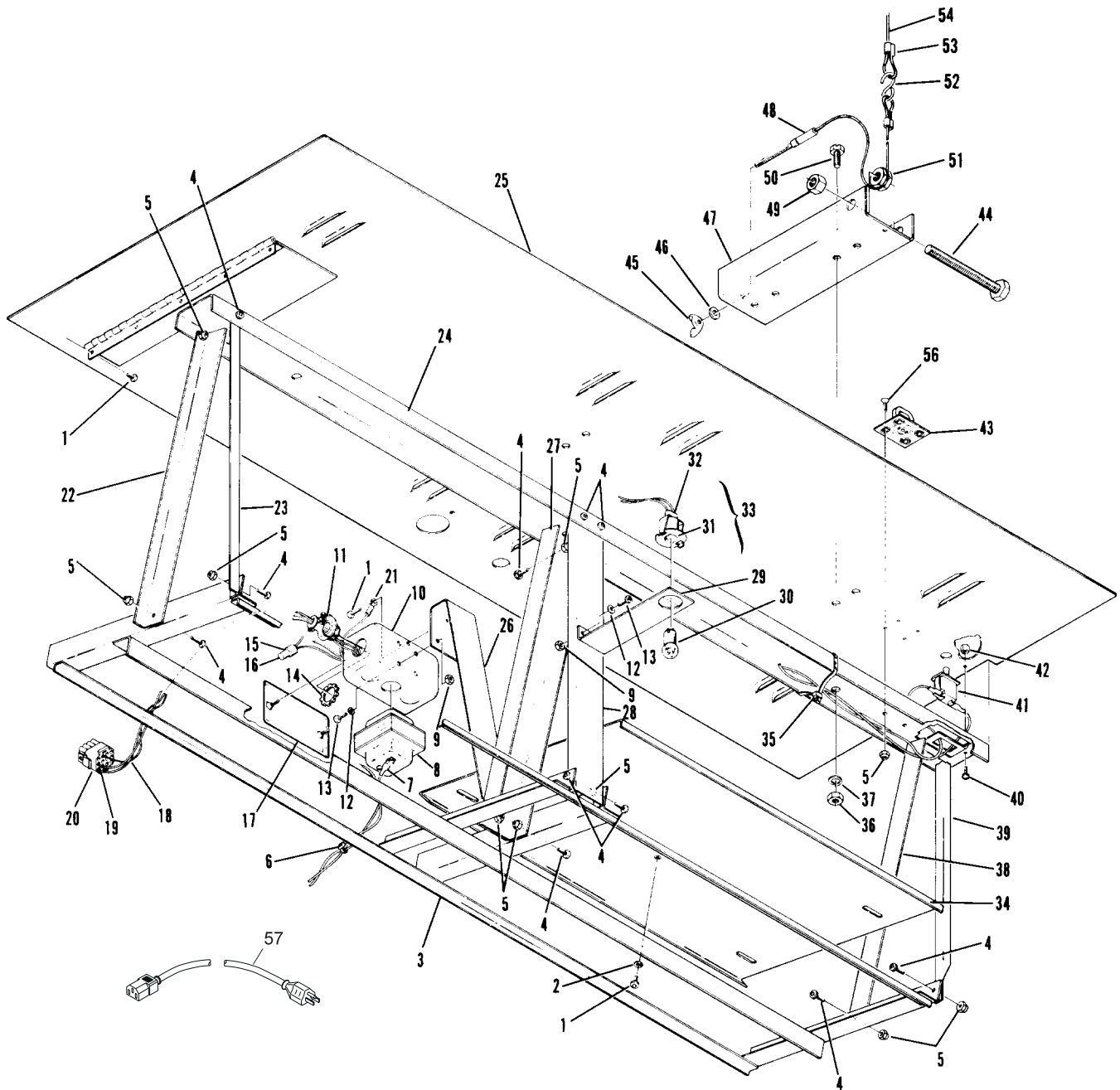
Index No.	Part No.	Description
1.	11-010779-000	Hex Hd. Screw w/Washer (#10-32 x 3/8")
2.	11-195010-001	Lockwasher (#10)
3.	N.A.	CRT Support Assembly
4.	N.A.	Round Hd. C.R. Screw (#10-24 x 1/2")
5.	11-170005-001	Self Locking Nut (#10-24)
6.	11-603108-000	Cable Tie
7.	11-612008-000	Terminal
8.	53-520233-000	Transformer Only (24 Volt 50-60 Hz)
9.	11-125003-001	Hex Nut (#8-32)
10.	11-686001-000	Outlet Box
11.	11-602101-000	Cord Grip
12.	11-198001-001	External Tooth Lockwasher (#6)
13.	11-013060-001	Pan Hd. C.R. Screw (#8-32 x 1/2")
14.	11-602002-001	Electrical Locknut (1/2)
15.	11-609501-000	Large Wire Connector
16.	11-609502-000	Small Wire Connector
17.	11-686101-000	Outlet Box Cover
18.	57-214178-000	Cable Assembly
19.	11-697187-000	Terminal
20.	11-696706-000	Connector
21.	11-612007-000	Terminal
22.	N.A.	L.H. Angle
23.	N.A.	L.H. Angle
24.	N.A.	Main Channel Assembly
25.	N.A.	Top Cover
26.	N.A.	Center Brace
27.	N.A.	Center Channel
28.	N.A.	Center Channel
29.	N.A.	Light Bracket
30.	11-675503-000	Lamp (#1252)
31.	53-860611-000	Lamp Socket Only
32.	11-612201-000	Contact
33.	57-214242-000	Service Lamp Socket Assembly
34.	57-214079-000	CRT Adapter Plate
35.	11-603106-000	Cable Tie
36.	11-125102-001	Hex Nut (5/16-18)
37.	11-195015-001	Lockwasher
38.	N.A.	R.H. Angle
39.	N.A.	R.H. Angle
40.	11-017521-001	Round Hd. Sems Screw (#6-32 x 5/16")
41.	11-697142-000	Interlock Switch
42.	N.A.	Hex Spacer (#6-32 x 1/4")
43.	57-214082-003	Hasp Staple
44.	N.A.	Hex Hd. Cap Screw (1/2-13 x 4-1/2")
45.	11-149051-001	Wing Nut (#10-32)
46.	11-190006-001	Plain Washer (#10)
47.	N.A.	Hanger Bracket
48.	57-214098-000	Cable Assembly
49.	11-125108-001	Hex Nut (1/2-13)
50.	N.A.	Hex Hd. Screw (5/16-18 x 3/4")
51.	57-214097-000	Special Nut
52.	N.A.	"S" Hook
53.	57-214216-000	Oval Sleeve
54.	57-214514-000	Cable
55.	00-000000-000	Intentionally Blank
56.	11-014084-001	Flat Hd. C.R. Screw (#10-24 x 1/2")
57.	11-602252-000	Extension Cord

N.A. = No Longer Available

Associated Interconnecting Cables

57-214181-000	Service Lamp Cable
57-214180-000	75 ohm Coax Cable

B & W Overhead Cabinet Inside Frame Assembly

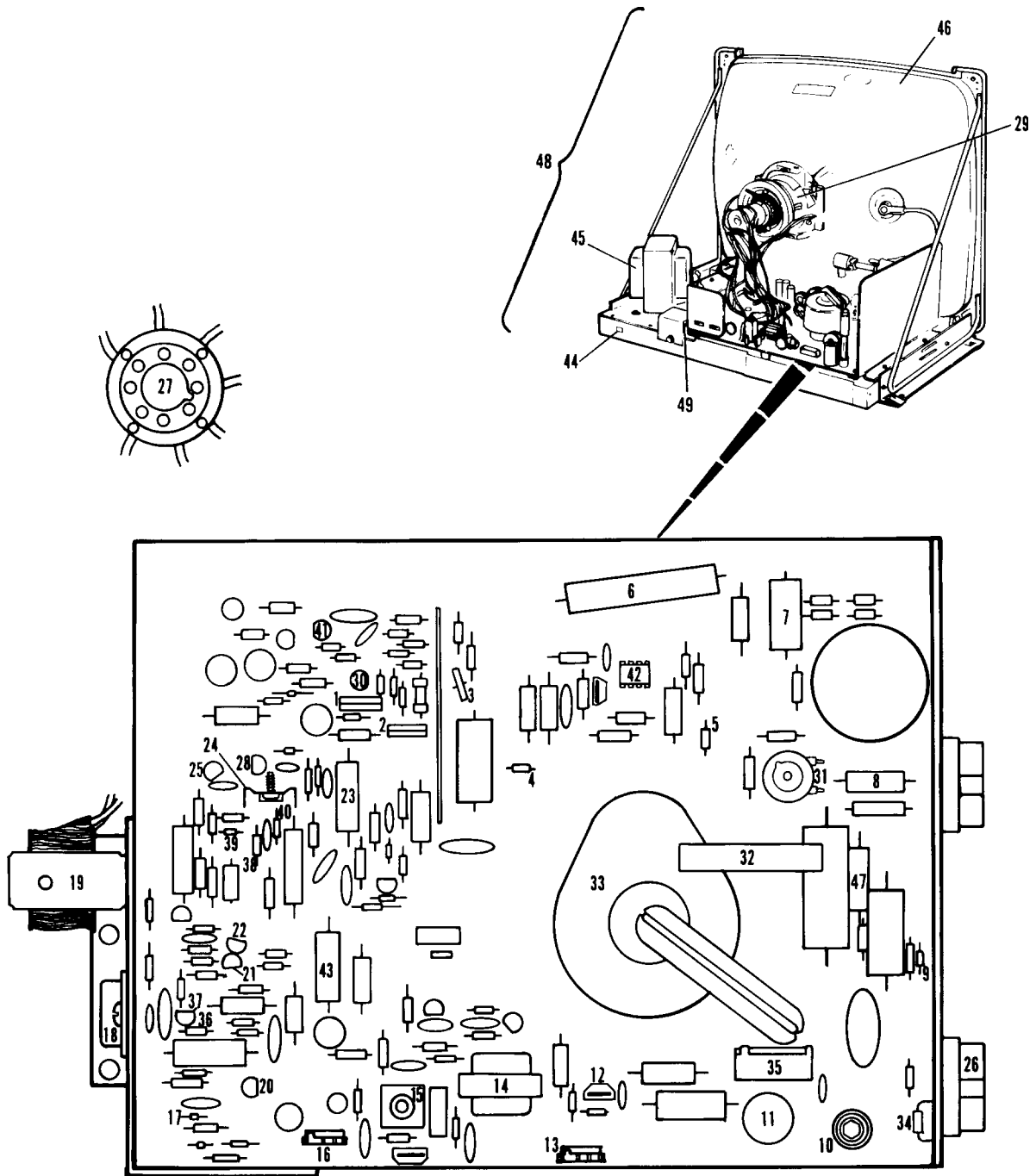


B & W Overhead Cabinet Inside Frame Assembly

Index No.	Part No.	Description
1.	N.A.	Control 100K Ohms
2.	57-214012-035	Control
3.	N.A.	Varistor
4.	57-214012-012	Zener Diode (IN5231B)
5.	N.A.	Diode (91A05)
6.	N.A.	Resistor Pack 150 Ohms, 10 Watt
7.	N.A.	Resistor Pack 1.5K, 5 Watt
8.	N.A.	Resistor 1.5K Ohm, 3 Watt
9.	N.A.	Diode D1K
10.	N.A.	Coil
11.	N.A.	Coil
12.	57-214012-024	Transistor A5F
13.	N.A.	Control 200K
14.	N.A.	Transformer
15.	N.A.	Coil
16.	57-214012-030	Control
17.	57-214012-006	Diode All
18.	N.A.	Transformer B2V
19.	N.A.	Choke
20.	57-214012-019	Transistor A6H
21.	N.A.	Transistor A6J
22.	57-214012-021	Transistor P2S
23.	N.A.	Resistor 3.9 Ohms, 5 Watt
24.	N.A.	Transistor B1E
25.	57-214012-027	Transformer A8W
26.	N.A.	Transistor B2L
27.	N.A.	CRT Socket
28.	57-214012-022	Transistor A2J
29.	N.A.	Coil
30.	57-214012-028	Transistor A13
31.	N.A.	Control 2.5K
32.	57-214012-010	Rectifier D2Y
33.	N.A.	Transformer
34.	N.A.	Diode D1D
35.	57-214012-034	Control
36.	57-214012-002	Zener Diode 1N5242
37.	57-214012-026	Transistor P2W
38.	57-214012-004	Zener Diode 1N5234B
39.	57-214012-003	Diode A13
40.	57-214012-005	Rectifier 91A02
41.	57-214012-011	MPU6027
42.	57-214012-013	Ref. AMPT3F
43.	57-214012-031	Resistor 100 Ohm, 5 Watt
44.	N.A.	Switch
45.	N.A.	Transformer
46.	N.A.	23" CRT
47.	N.A.	Resistor 1.8 Ohm, 2 Watt
48.	94-860001-002	23" CRT Assembly - Complete (Brunswick Repair/ Exchange)
49.	11-684103-000	Fuse (0.8 Amp)

N.A. = No Longer Available

B & W 23" CRT Assembly (Motorola)

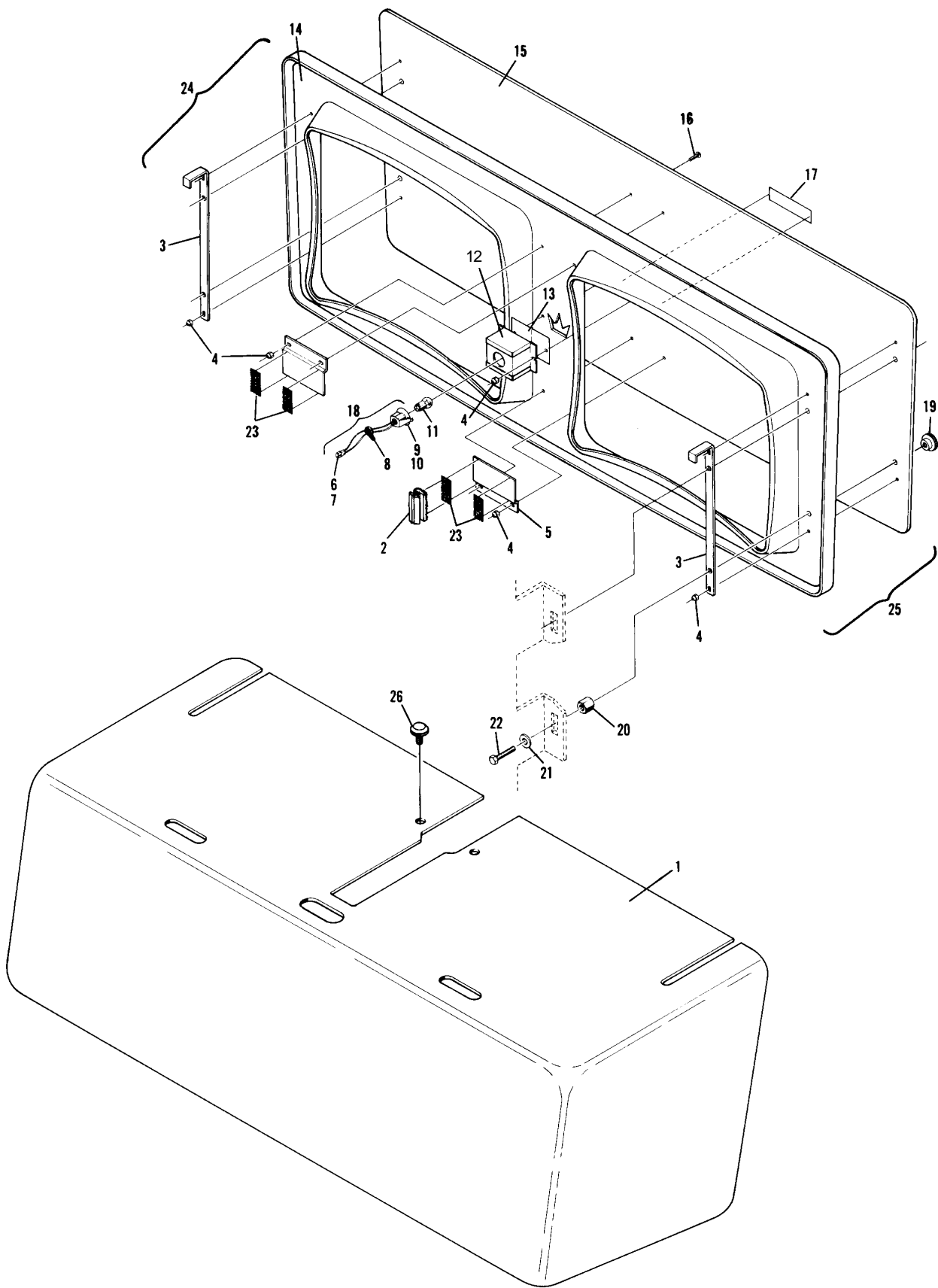


B & W 23" CRT Assembly (Motorola)

Index No.	Part No.	Description
1.	57-860144-000	Overhead Cabinet
2.	N.A.	Hook Fastener
3.	57-214426-010	End Bracket
4.	11-170004-001	Self-Locking Nut (#8-32)
5.	57-214424-000	Strike
6.	11-680116-000	Connector
7.	11-680302-000	Terminal
8.	11-603108-000	Cable Tie
9.	53-860611-000	Socket Assembly
10.	11-612201-000	Button Contact
11.	11-675503-000	Lamp (#1252)
12.	57-214382-000	Light Housing
13.	N.A.	Red Filter
14.	57-214348-010	Faceplate
15.	57-214362-010	Faceplate (for Units w/Knobs)
16.	11-012312-000	Pan Hd. C.R. Screw (#8-32 x 5/8")
17.	57-214132-000	"Brunswick" Decal
18.	57-214366-051	Service Lamp Socket Assembly
19.	57-214527-000	Plastic Knob
20.	57-214526-000	Spacer Nut
21.	11-190010-001	Plain Washer (1/4")
22.	11-010139-001	Hex Hd. Screw (1/4-20 x 1-1/4")
23.	57-214513-000	Loop Fastener
24.	N.A.	Colorvision Faceplate Modification Kit
25.	N.A.	Faceplate Assembly
26.	57-214506-000	Knob Assembly

N.A. = No Longer Available

25" Color Overhead Cabinet Assembly



25" Color Overhead Cabinet Assembly

Index No.	Part No.	Description
1.	*57-214216-000	Oval Sleeve
2.	57-214514-000	Aircraft Cable
3.	57-214380-000	"J" Bolt
4.	11-125102-001	Hex Nut (5/16-18)
5.	11-170009-001	Self-Locking Nut (5/16-18)
6.	57-860130-000 N.A.	Composite Video PCB Assembly Composite Video PCB Assembly for use in Europe, Australia, and New Zealand.
7.	57-860128-000	Video Output PCB Assembly
8.	57-860131-302 57-860197-303	Color Decoder PCB Assembly (w/o Source Command) (Brunswick Repair/Exchange) Color Decoder PCB Assembly (w/Source Command) (Brunswick Repair/Exchange)
9.	N.A.	Signal Process PCB Assembly (Brunswick Repair/Exchange)
10.	57-860129-000	Sweep and High Voltage PCB Assembly (Brunswick Repair/Exchange)
11.	11-685127-000	Fuse Holder
12.	11-685024-000	Fuse (5.0 Amp)
13.	57-214365-000	Transformer
14.	11-696627-000	Circuit Breaker
15.	57-214371-000	Picture Adjustment PCB
16.	**57-860169-302	Colorvision Plus Software Upgrade
17.	57-214270-000	Plastic Cable Sleeve
18.	11-602251-000	Extension Cord
19.	57-214624-000	Split Tubing (1-1/4" Dia. x 24")
20.	57-214015-014	25" Color CRT Picture Tube

N.A. = No Longer Available

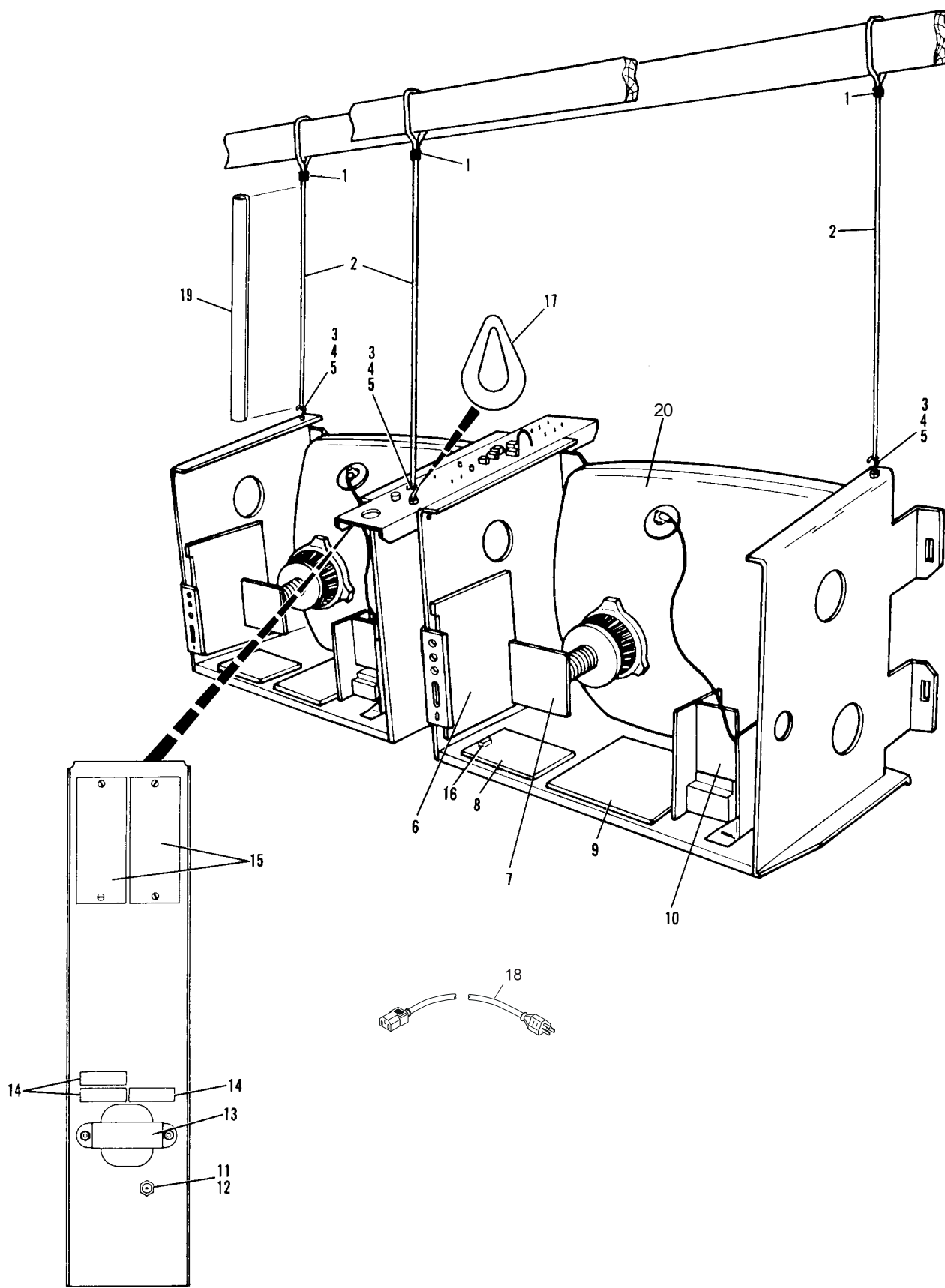
* Sleeve must be crimped using the proper crimping tool
(Micro-Press #51-G-887, 3/32" size)

** For non-Source Command overheads.

Associated Interconnecting Cables

57-214881-000	Comline Daisy Chain Cable
57-214370-000	Coax Daisy Chain Cable
57-214181-000	Service Lamp Cable
57-214180-000	Scorer to Overhead 75 ohm Cable

25" Color Overhead Assembly



25" Color Overhead Assembly

Index

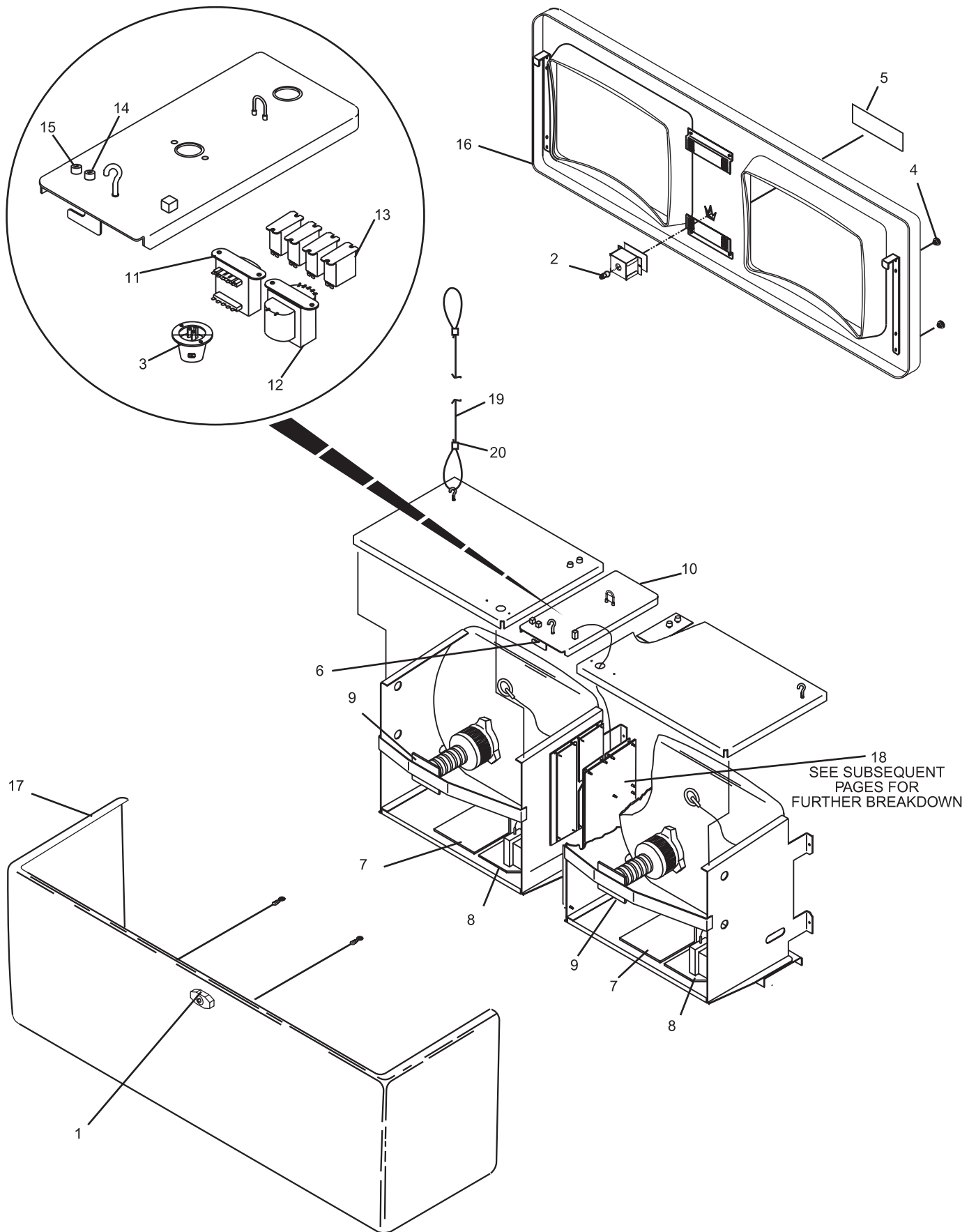
No.	Part No.	Description
1.	68-100483-036	Latch
2.	68-100483-033	Miniature Lamp
3.	68-100483-028	Recessed Plug
4.	68-100483-023	Knurled Knob
5.	68-100483-043	"BRUNSWICK" Nameplate
6.	68-100483-018	Latch Lever
7.	*68-860048-002	Brunswick RGB PCB(Brunswick Repair/Exchange)
8.	68-860048-001	High Voltage PCB (9-754) (Brunswick Repair/Exchange)
9.	*68-860048-003	Neck Board PCB (9-523) (Brunswick Repair/Exchange)
10.	68-100483-002	Control Panel Assembly
11.	68-100483-048	Transformer
12.	57-214365-000	Transformer
13.	68-100483-047	Relay
14.	68-100483-046	Fuse (2.00 Amp, 250V)
15.	11-685012-000	Fuse (.50 Amp, 250V)
16.	68-100483-044	Overhead Faceplate
17.	68-100483-042	Monitor Cabinet
18.	57-860355-000	27" Overhead to AS-80 Interface Assembly (Brunswick Repair/Exchange)
19.	57-214924-000	Aircraft Cable
20.	57-214923-000	Oval Cable Sleeve

* It is necessary to replace both index nos. 7 and 9 together, if either one of these items fail.

Associated Interconnecting Cables

57-215371-000	CPU to 27" Overhead Service Lamp Cable Assembly (Field Assembled)
57-215370-000	CPU to 27" Overhead Scorer Video Coax Cable Assembly (Field Assembled)
57-214881-000	Comline Daisy Chain Cable Assembly
57-214370-000	VCR Video Daisy Chain Cable Assembly

27" Overhead (Model F4)



27" Overhead (Model F4)

Index No.	Part No.	Description
1.	57-860355-000	27" Overhead to AS-80 Interface Assembly (Brunswick Repair/Exchange)
2.	N.A.	Mounting Plate
3.	*57-860197-303	Color Decoder PCB Assembly (Brunswick Repair/Exchange)
4.	68-100228-010	RGB Converter PCB Assembly (Brunswick Repair/Exchange)
5.	57-860636-000	27" to AS-80 Interface PCB Assembly (Brunswick Repair/Exchange)
6.	11-185376-000	1/4" Nylon Locking Standoff
7.	N.A.	RGBS - 27" Overhead to AS-80 Cable Assembly
8.	11-697206-000	Connector
9.	11-680322-000	Terminal
10.	57-215119-000	Power Control 27" Overhead to AS-80 Cable Assembly
11.	11-697233-000	Connector
12.	11-680326-000	Terminal
13.	11-696702-000	Connector
14.	11-697186-000	Terminal
15.	11-603108-000	Cable Tie
16.	57-215117-000	15V C.T. - 27" Overhead to AS-80 Cable Assembly
17.	11-697238-000	Connector
18.	11-697202-000	Connector
19.	57-215142-000	27" Overhead to AS-80 Cable Assembly
20.	11-696265-000	BNC Connector
21.	57-215141-000	RGB Converter - 27" Overhead to AS-80 Cable Assembly
22.	11-697203-000	Connector
23.	11-697205-000	Connector
24.	N.A.	Connector
25.	57-215147-000	Comline Ext. "Y" 27" Overhead to AS-80 Cable Assembly
26.	11-680301-000	Terminal
27.	11-697201-000	Connector
28.	57-215118-000	Power Jumper - 27" Overhead to AS-80 Cable Assembly
29.	57-215143-000	To Zenith 27" Monitor Cable Assembly (24")
	57-215144-000	To Zenith 27" Monitor Cable Assembly (36")
30.	57-215097-000	VHS Cable Assembly
	57-215114-000	VHS Cable Assembly
31.	11-680205-000	Connector
32.	11-685050-000	Fuse (1 Amp, 250V)

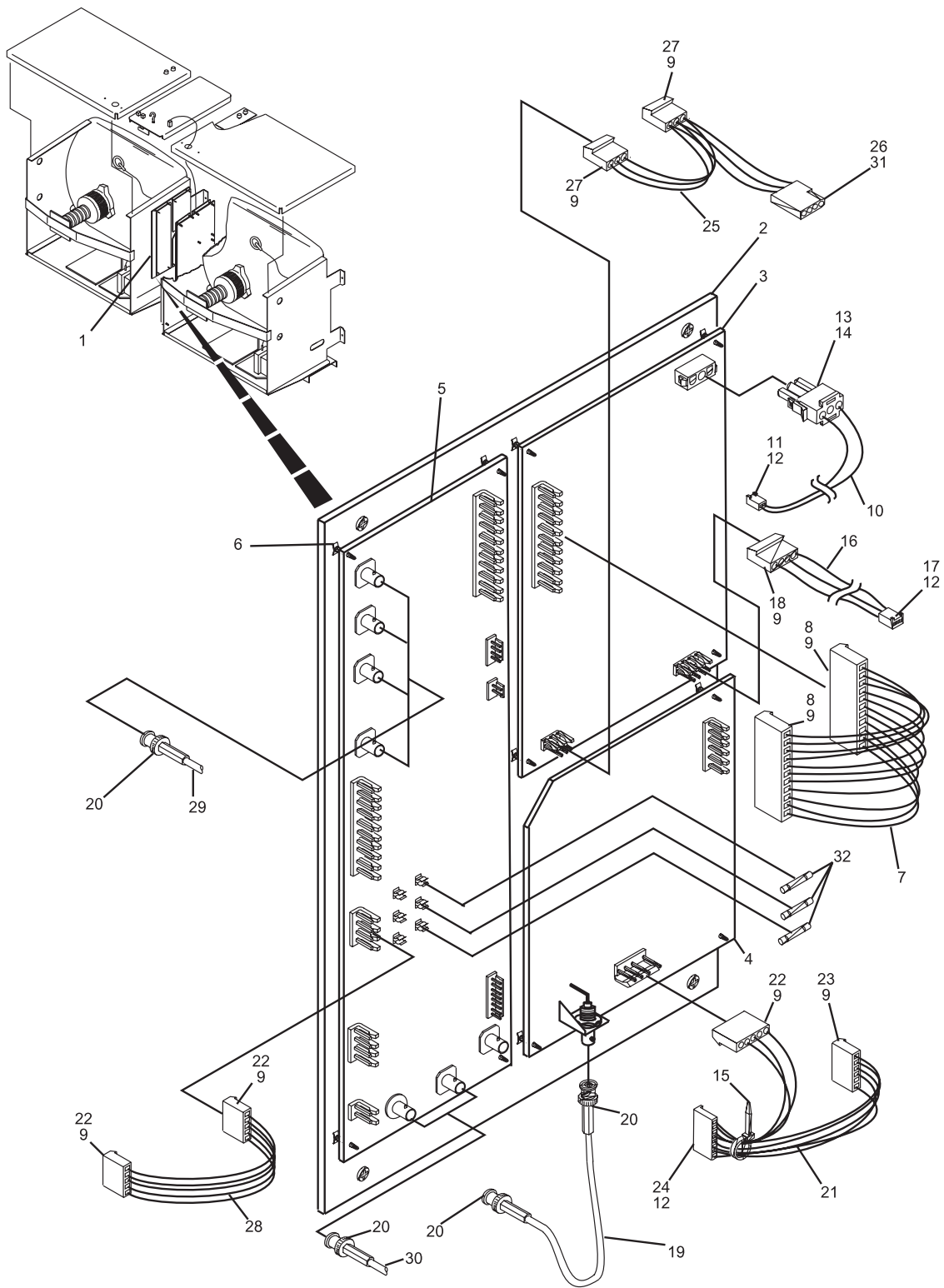
* You must contact Brunswick Customer Service to determine the correct software for your center. Call 1-800-YES-BOWL (1-800-937-2695)

N.A. = No Longer Available

Associated Interconnecting Cables

57-215371-000	CPU to 27" Overhead Service Lamp Cable (Field Assembled)
57-215370-000	CPU to 27" Overhead Scorer Video Coax Cable (Field Assembled)
57-214881-000	Comline Daisy Chain Cable
57-214370-000	VCR Video Daisy Chain Cable

27" Overhead to AS-80 Interface Assembly (Model F4)



27" Overhead to AS-80 Interface Assembly (Model F4)

Index No.	Part No.	Description
1.	68-100483-036	Latch
2.	68-100483-033	Miniature Lamp
3.	68-100483-028	Recessed Plug
4.	68-100483-023	Knurled Knob
5.	68-100483-043	"BRUNSWICK" Nameplate
6.	68-100483-018	Latch Lever
7.	57-860479-002	Processing Module PCB (9-935-02) (Brunswick Repair/Exchange)
8.	57-860479-001	H.V. Power Supply PCB (9-754-05) (Brunswick Repair/Exchange)
9.	57-860479-003	Neck PCB (9-937-002) (Brunswick Repair/Exchange)
10.	68-100483-002	Control Panel Assembly
11.	68-100483-048	Transformer
12.	57-214365-000	Transformer
13.	68-100483-047	Relay
14.	68-100483-046	Fuse (2.00 Amp, 250V)
15.	11-685012-000	Fuse (.50 Amp, 250V)
16.	68-100483-044	Overhead Faceplate
17.	68-100483-042	Monitor Cabinet
18.	**57-215372-401	27" Overhead Video Decoder Assembly (Brunswick Repair/Exchange)
19.	57-214924-000	Aircraft Cable
20.	57-214923-000	Oval Cable Sleeve
21.	*57-860479-000	27" Overhead Spare Parts Kit (Includes two each of item nos. 7 & 8, and 1 each of item no. 9)
22.	57-860480-000	27" Overhead Monitor Assembly
23.	57-860770-401	Monitor Assembly w/Interface in Cabinet

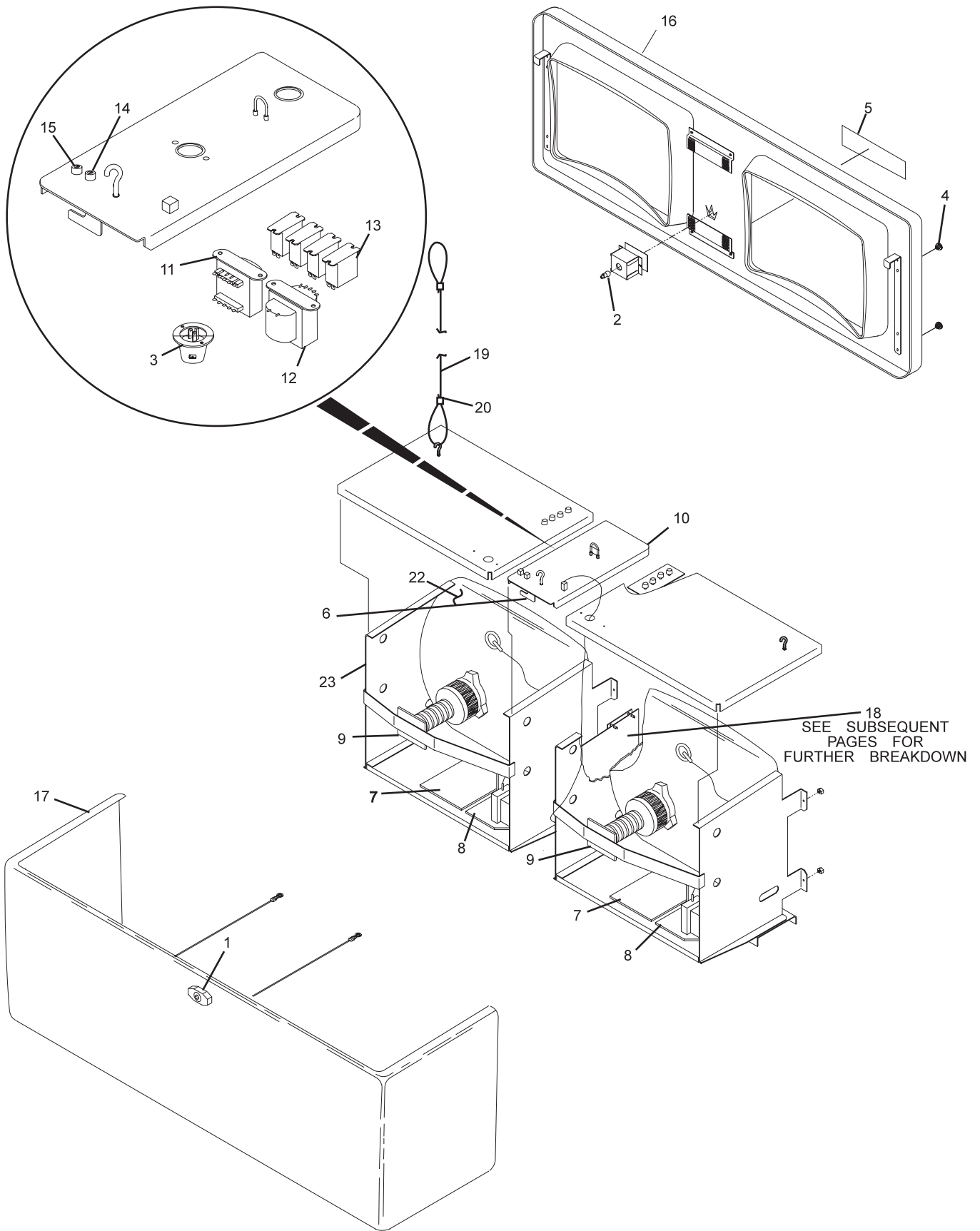
Note: F5 spare parts kit is available, P/N 57-860479-000 this kit consists of :

1 ea.	57-860479-003
2 ea.	57-860479-001
2 ea.	57-860479-002

* Not Illustrated

** You must contact Brunswick Customer Service to determine the correct software for your center. Call 1-800-YES-BOWL (1-800-937-2695)

27" Overhead (Model F5)



27" Overhead (Model F5)

Index No.	Part No.	Description
1.	*57-215372-401	27" Overhead Video Decoder Assembly
2.	N.A.	Mounting Plate
3.	*57-860637-401	Video Decoder PCB Assembly (Brunswick Repair/Exchange)
4.	11-185376-000	Nylon Locking Standoff
5.	57-215365-000	Comline-Video Decoder Cable Assembly
6.	11-697201-000	Connector
7.	11-680322-000	Terminal
8.	11-680205-000	Connector
9.	11-680301-000	Terminal
10.	N.A.	Relay Control-Video Decoder Cable Assembly
11.	11-697202-000	Connector
12.	11-680204-000	Connector
13.	11-680302-000	Terminal
14.	57-215367-000	Transformer Secondary-Video Decoder Cable Assembly
15.	57-215368-000	Video-Video Decoder Cable Assembly
16.	11-697207-000	Connector
17.	11-697205-000	Connector
18.	N.A.	Connector
19.	11-696788-000	Terminal
20.	N.A.	Video Jump Assembly Cable
21.	11-696265-000	Connector
22.	57-215472-000	Power Supply Jumper Cable Assembly
23.	11-697203-000	Connector

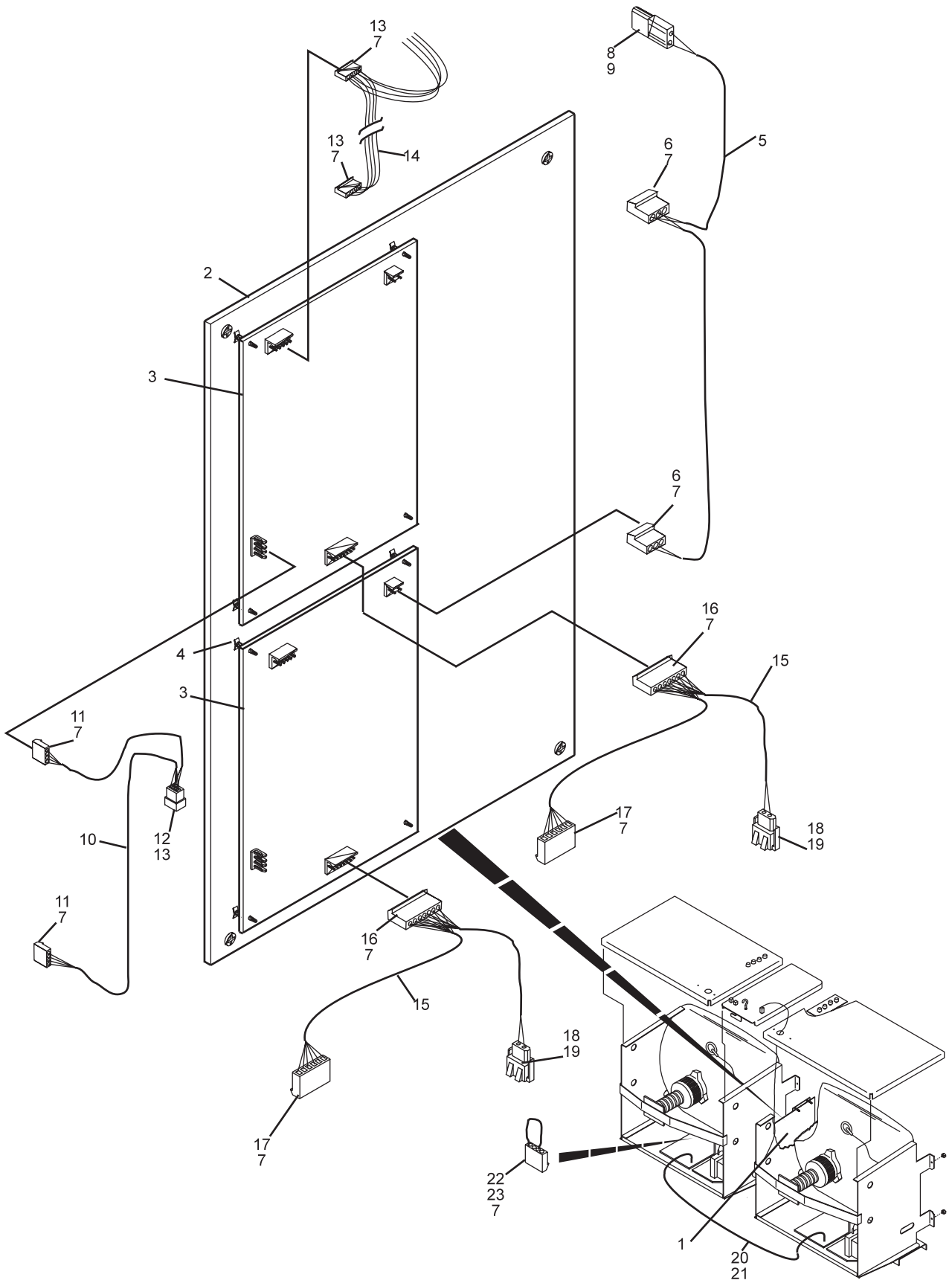
* You must contact Brunswick Customer Service to determine the correct software for your center. Call 1-800-YES-BOWL (1-800-937-2695)

N.A. = No Longer Available

Associated Interconnecting Cables

57-215371-000	CPU to 27" Overhead Service Lamp Cable (Field Assembled)
57-215370-000	CPU to 27" Overhead Scorer Video Coax Cable (Field Assembled)
57-214881-000	Comline Daisy Chain Cable
57-214370-000	VCR Video Daisy Chain Cable

27" Overhead Video Decoder Assembly (Model F5)



27" Overhead Video Decoder Assembly (Model F5)

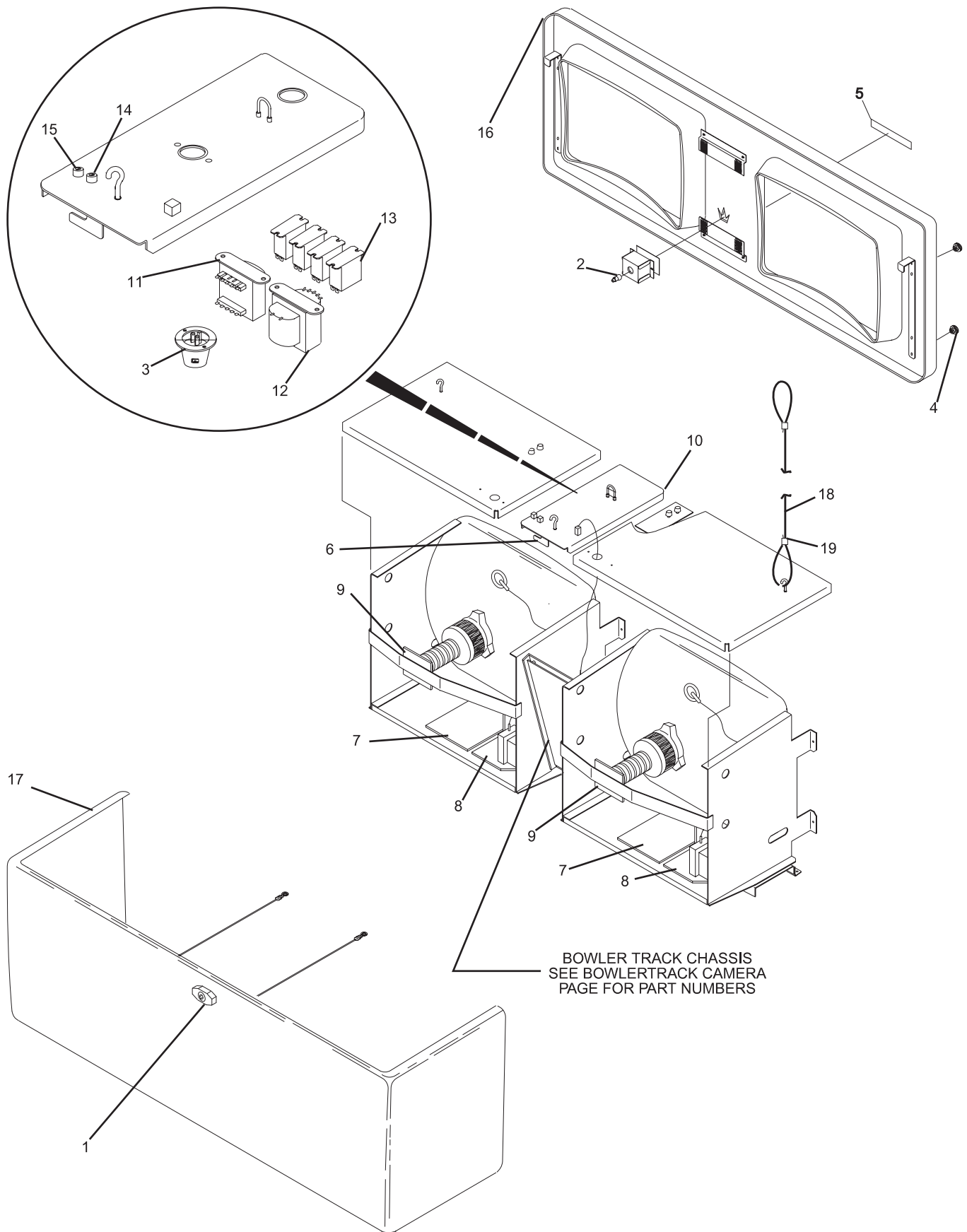
Index

No.	Part No.	Description
1.	68-100483-036	Latch
2.	68-100483-033	Miniature Lamp
3.	68-100483-028	Recessed Plug
4.	68-100483-023	Knurled Knob
5.	68-100483-021	"BOWLERVISION" Nameplate
6.	68-100483-018	Latch Lever
7.	*68-860048-002	Brunswick RGB PCB(Brunswick Repair/Exchange)
8.	68-860048-001	High Voltage PCB (9-754) (Brunswick Repair/Exchange)
9.	*68-860048-003	Neck Board PCB (9-523) (Brunswick Repair/Exchange)
10.	68-100483-002	Control Panel Assembly
11.	68-100483-048	Transformer
12.	57-214365-000	Transformer
13.	68-100483-047	Relay
14.	68-100483-046	Fuse (2.00 Amp, 250V)
15.	11-685012-000	Fuse (.50 Amp, 250V)
16.	68-100483-044	Overhead Faceplate
17.	68-100483-042	Monitor Cabinet
18.	57-214924-000	Aircraft Cable
19.	57-214923-000	Oval Cable Sleeve

* It is necessary to replace both index nos. 7 and 9 together, if either one of these items fail.

Associated Interconnecting Cables

68-100487-000	BowlerVision Overhead RGBS Video Coax Cable Assembly (Left or Right)
68-100386-000	BowlerVision Control Cable Assembly (GS-92 Pinsetter)
68-300230-000	BowlerVision Control Cable Assembly (A-2 Pinsetter)



BowlerVision 27" Overhead

Index

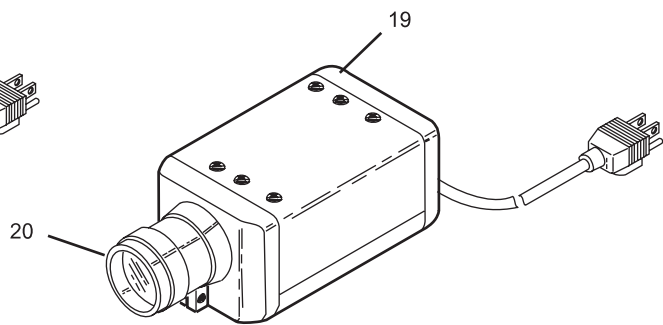
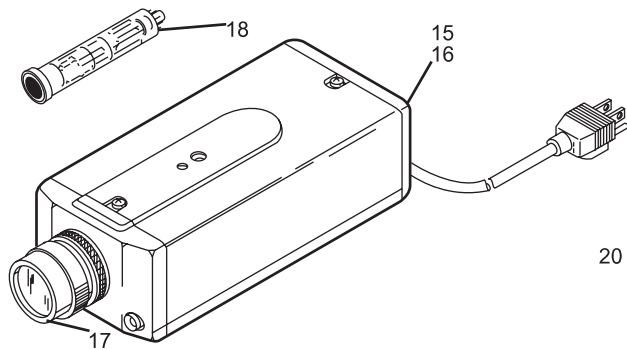
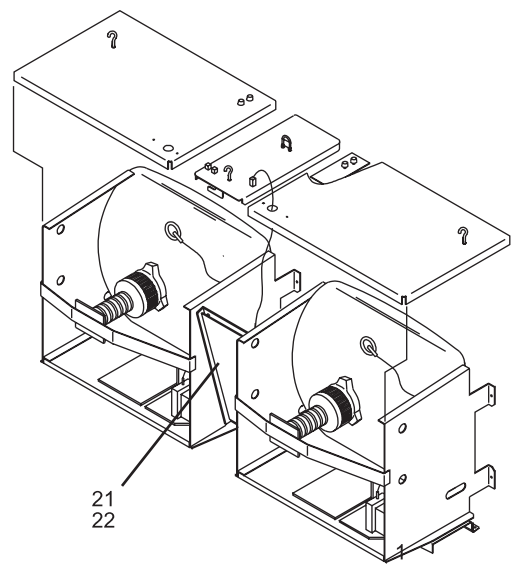
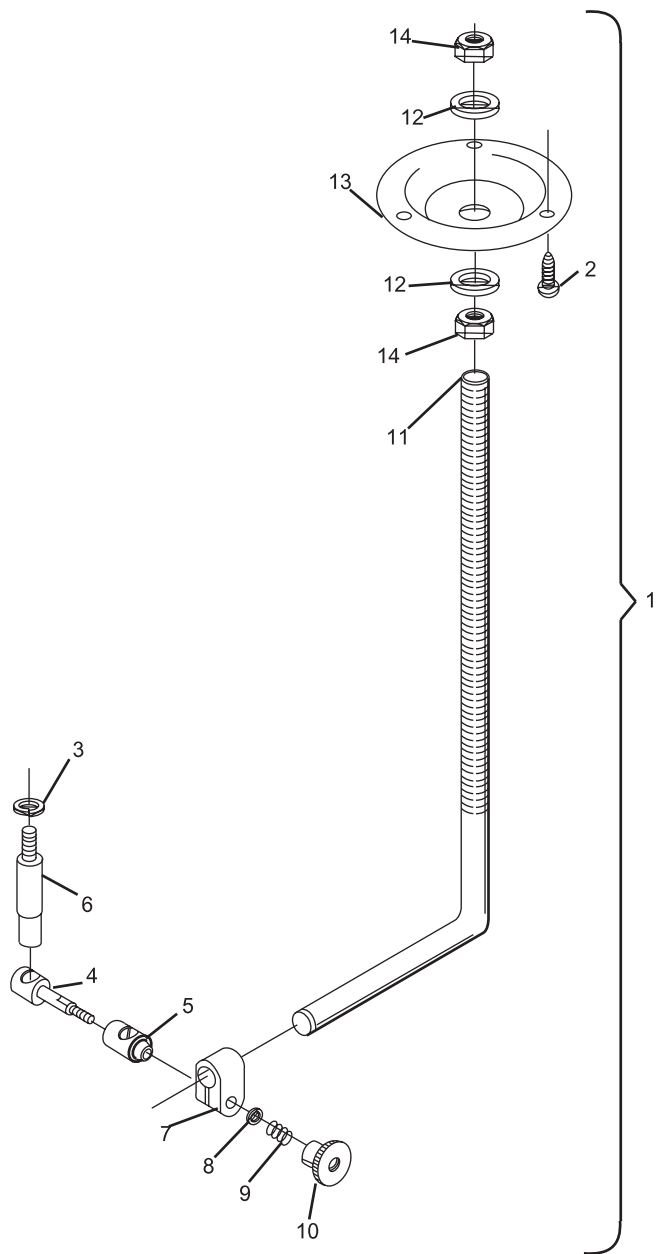
No.	Part No.	Description
1.	68-100292-000	Camera Bracket Assembly
2.	11-082549-001	Pan Hd. C. R. Tapping Screw (#8-32 x 1-1/2")
3.	11-195014-001	Lockwasher (#1/4)
4.	68-100434-000	Pivot Arm
5.	68-100435-000	Pivot Arm Cover
6.	68-100436-000	Mount Arm
7.	68-100437-000	Vise
8.	68-100438-000	Eyelet
9.	68-100439-000	Spring
10.	68-100440-000	Knurled Knob
11.	68-100441-000	"L" Bracket
12.	11-190018-001	Plain Washer (#1/2)
13.	68-100444-000	Base
14.	11-125208-001	Hex Jam Nut (#1/2-13)
15.	68-860041-010	Tube Type Camera With Lens Adjusted (60 Hz)
16.	68-860081-000	Tube Type Camera With Lens Adjusted (50 Hz)
17.	68-860042-000	Camera Lens (12.5 mm)
18.	68-860034-000	Camera Tube
19.	68-860162-000	KP-111u-CCD Solid State CCTV Camera
20.	68-860161-000	Fujnon TV Lens (1:1.4/9mm)
21.	68-860086-402	BowlerTrack Chassis PCB Assembly (Replaces 68-100198-000) (For Use With Tube Type Camera) (Brunswick Repair/ Exchange)
22.	*68-860163-403	BowlerTrack Chassis PCB Assembly (For Use With CCD Camera) (Brunswick Repair/ Exchange)

* You must contact Brunswick Customer Service to determine the correct software for your center. Call 1-800-YES-BOWL (1-800-937-2695)

Associated Interconnecting Cables

68-100503-000	Video Cable Assembly (from Camera to BowlerTrack Chassis)
68-100330-000	Local Comline Cable Assembly ("D" Connector to Gamemaker) (110')

BowlerTrack System



BowlerTrack System

Section E

CONTROL DESK

Index No.	Part No.	Description	Index No.	Part No.	Description
1.	57-214469-002	Keyboard Assembly (Brunswick Repair/Exchange)		*** N.A.	Keyboard Cap "O"
2.	57-214469-009	Keyboard Decal		*** N.A.	Keyboard Cap "P"
3.	*** N.A.	Keyboard Cap "Arrow Up"		*** N.A.	Keyboard Cap "Q"
4.	57-214469-049	Keyboard Cap "Arrow Right"		*** N.A.	Keyboard Cap "R"
5.	*** N.A.	Keyboard Cap "Arrow Left"		*** N.A.	Keyboard Cap "S"
6.	*** N.A.	Keyboard Cap "Arrow Down"		*** N.A.	Keyboard Cap "T"
7.	*** N.A.	Keyboard Cap "0"		*** N.A.	Keyboard Cap "U"
	*** N.A.	Keyboard Cap "1"		*** N.A.	Keyboard Cap "V"
	*** N.A.	Keyboard Cap "2"		*** N.A.	Keyboard Cap "W"
	*** N.A.	Keyboard Cap "3"		*** N.A.	Keyboard Cap "X"
	*** N.A.	Keyboard Cap "4"		*** N.A.	Keyboard Cap "Y"
	*** N.A.	Keyboard Cap "5"	11.	N.A.	Keyboard Cap "Z"
	*** N.A.	Keyboard Cap "6"			CRT Assembly (Brunswick Repair/Exchange)
	*** N.A.	Keyboard Cap "7"	12.	*57-214125-8XX	Eprom PCB and CPU PCB Assemblies (Brunswick Repair/Exchange)
	*** N.A.	Keyboard Cap "8"			Key and Lock Reset
	*** N.A.	Keyboard Cap "9"	13.	N.A.	Console Hood
8.	57-214469-054	Keyboard Cap "Enter/Return"	14.	N.A.	Handset Holder
9.	*** N.A.	Keyboard Cap "Blank"	15.	57-214469-007	Printer Decal
10.	57-214469-011	Keyboard Cap "A"	16.	N.A.	Printer Assembly (Brunswick Repair/Exchange)
	*** N.A.	Keyboard Cap "B"	17.	* N.A.	Keyboard Switch
	*** N.A.	Keyboard Cap "C"	18.	**N.A.	Handset Assembly (Brunswick Repair/Exchange)
	*** N.A.	Keyboard Cap "D"	19.	57-214332-000	Screw (#6-32 x 3/8")
	*** N.A.	Keyboard Cap "E"	20.	11-012272-001	Screw (#6-32 x 2")
	57-214469-016	Keyboard Cap "F"	21.	11-012284-001	Keps Nut (#6-32)
	*** N.A.	Keyboard Cap "G"	22.	11-176005-001	Fan Grill
	*** N.A.	Keyboard Cap "H"	23.	N.A.	Fan Only
	*** N.A.	Keyboard Cap "I"	24.	57-214491-000	Fan Kit - Complete
	57-214469-020	Keyboard Cap "J"	25.	N.A.	Keycap Decals - Complete Set
	*** N.A.	Keyboard Cap "K"	26.	57-215001-000	
	*** N.A.	Keyboard Cap "L"			
	*** N.A.	Keyboard Cap "M"			
	57-214469-024	Keyboard Cap "N"			

* Contact Electronic Repair Center, Muskegon, MI for latest software, exchange board, or exchange unit.

** Not Illustrated

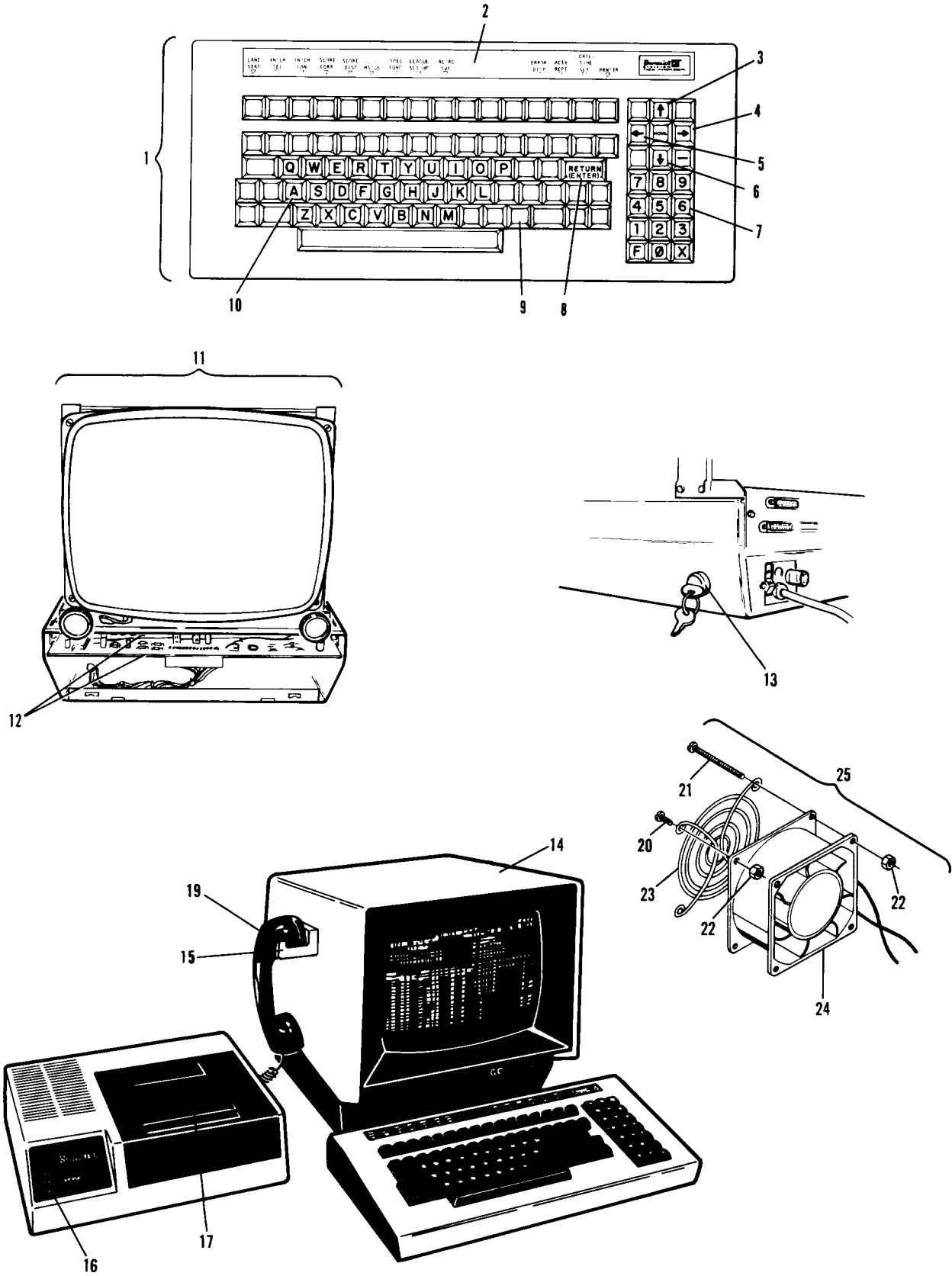
*** Replaced by item 26.

N.A. = No Longer Available

Associated Interconnecting Cables

57-214182-000	Manager's Control Adaptor Cable
N.A.	Office Computer Interface Cable

B & W Manager's Control



B & W Manager's Control

Index No.	Part No.	Description
1.	* N.A.	Transformer
2.	57-214204-000	Printer Paper (Pkg. of 50 Rolls)
3.	57-214081-000	Paper Spindle Assembly
4.	*** N.A.	Printer Cover
5.	57-860068-000	Microprinter Mechanism Assembly (Brunswick Repair/Exchange)
6.	* N.A.	Cabinet Top Unit
7.	* N.A.	Cabinet Lower Unit
8.	* N.A.	Input Cable Assembly
9.	**57-214329-031	Fuse (1.0 Amp)
10.	**57-214329-032	Fuse (0.5 Amp)
11.	**57-214329-033	Fuse Holder

N.A. = No Longer Available

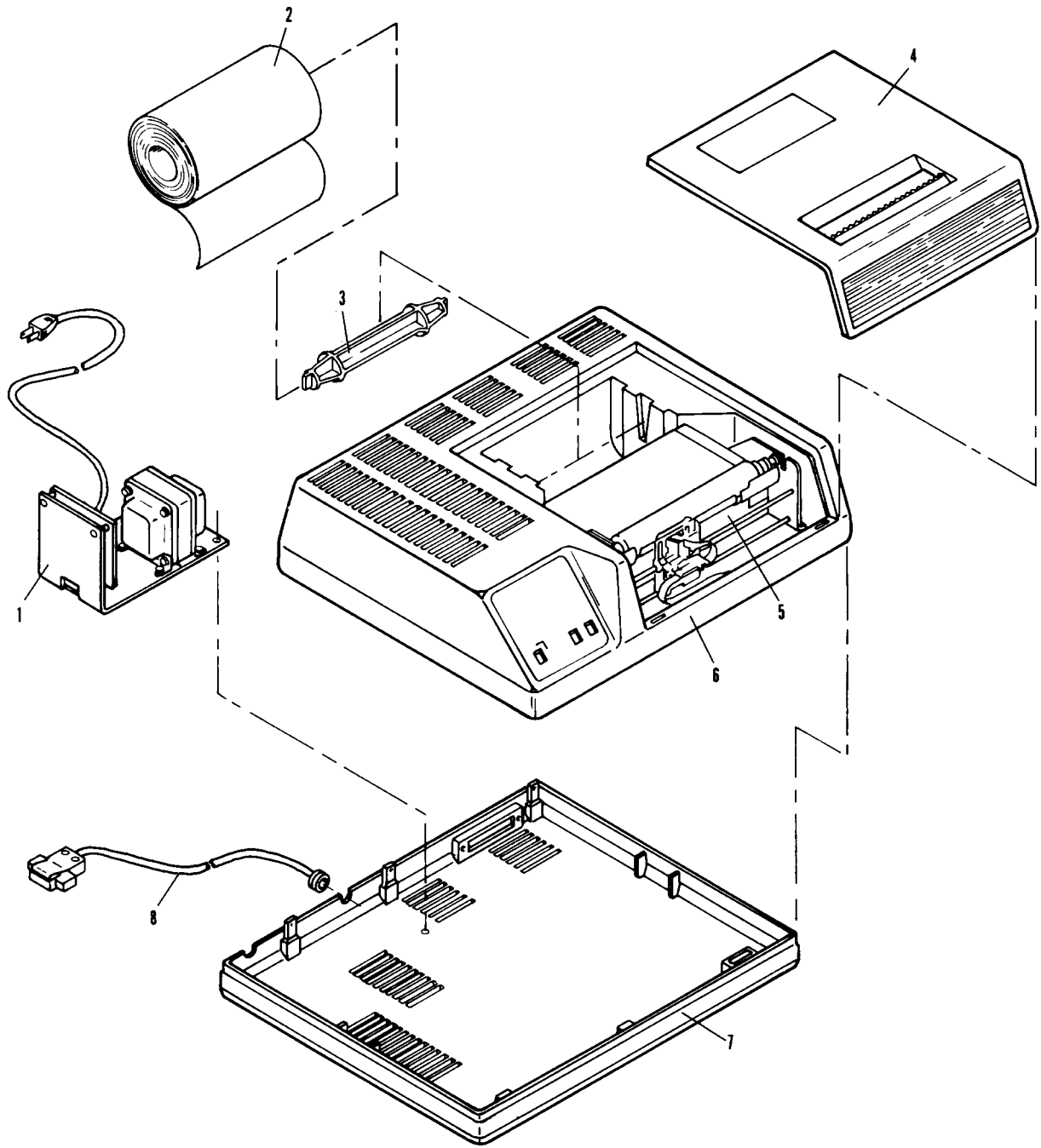
* Contact Electronic Repair Center, Muskegon, MI for service unit.

** Not Illustrated

*** Covers are no longer available. A repair kit has been developed to repair old cover. P/N 57-860328-000. Kit consists of:

1 ea.	Mounting Hardware
2 ea.	Replacement Tabs
1 ea.	Paper Cutter

B & W Manager's Control Printer Cabinet



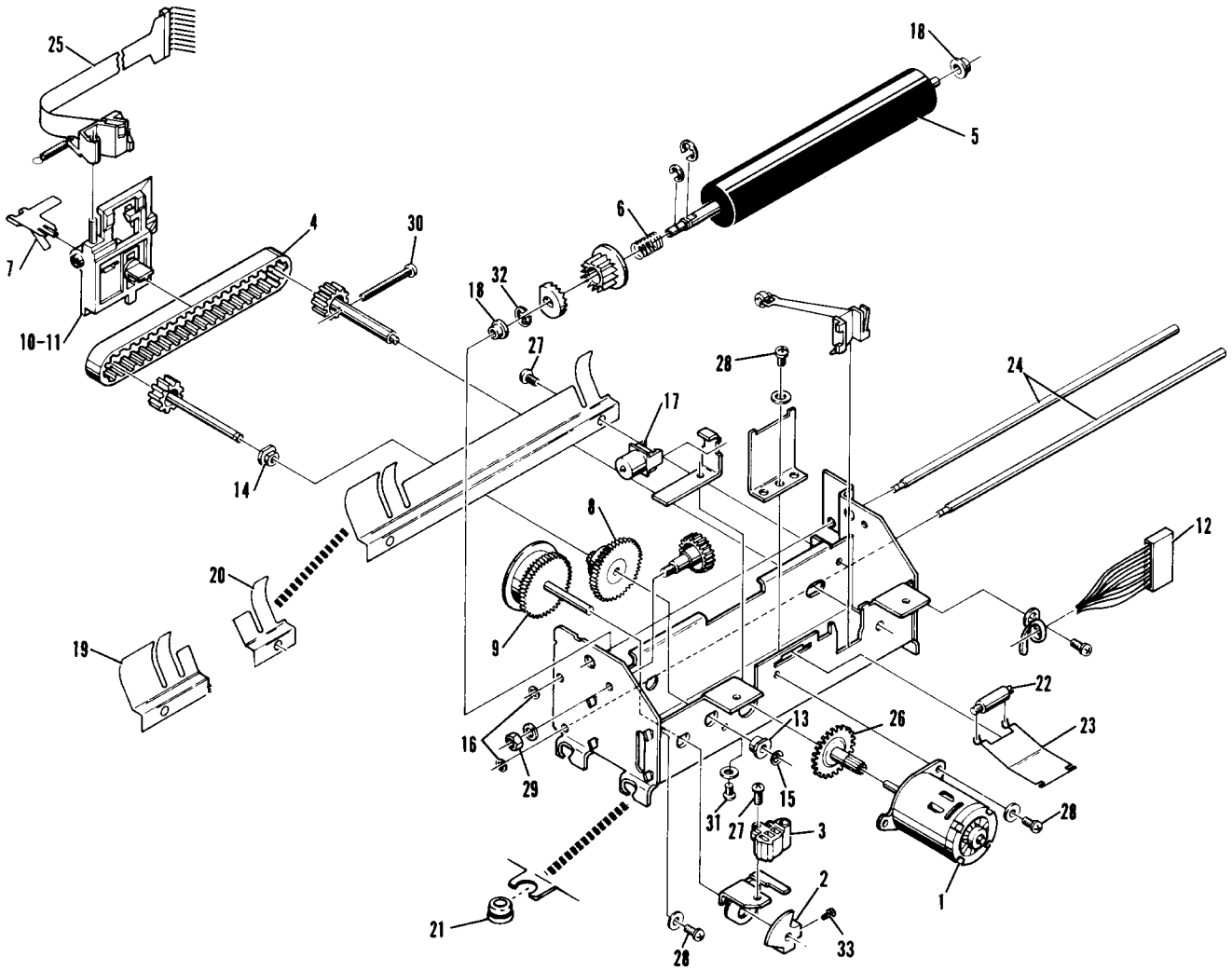
B & W Manager's Control Printer Cabinet

Index No.	Part No.	Description
1.	N.A.	Motor
2.	N.A.	Disc
3.	N.A.	Phototransistor
4.	N.A.	Belt
5.	N.A.	Platen
6.	N.A.	Spring
7.	N.A.	Clip
8.	57-214329-009	Gear "B"
9.	57-214329-010	Cam Gear
10.	N.A.	Slider
11.	*N.A.	Slider Pin
12.	N.A.	Connector
13.	57-214329-014	Bearing "C"
14.	57-214329-015	Bearing "B"
15.	57-214329-016	3 mm Ring
16.	57-214329-017	2 mm Ring
17.	N.A.	Coil Assembly
18.	57-214329-019	Bearing "A"
19.	57-214329-020	R.H. Paper Guide
20.	N.A.	L.H. Paper Guide
21.	57-214329-022	Rubber Foot
22.	N.A.	Roller "C"
23.	N.A.	Roller Holder
24.	N.A.	Slider Shaft
25.	57-214249-000	Print Head
26.	57-214329-037	Pulse Gear
27.	57-214329-038	Screw
28.	N.A.	Screw
29.	N.A.	Hex Nut
30.	N.A.	Screw
31.	N.A.	Screw
32.	N.A.	E-Ring
33.	57-214329-044	Set Screw

* Not Illustrated

N.A. = No Longer Available

AS-80 Console and B & W Manager's Control Printer



**AS-80 Console and
B & W Manager's Control Printer**

Index

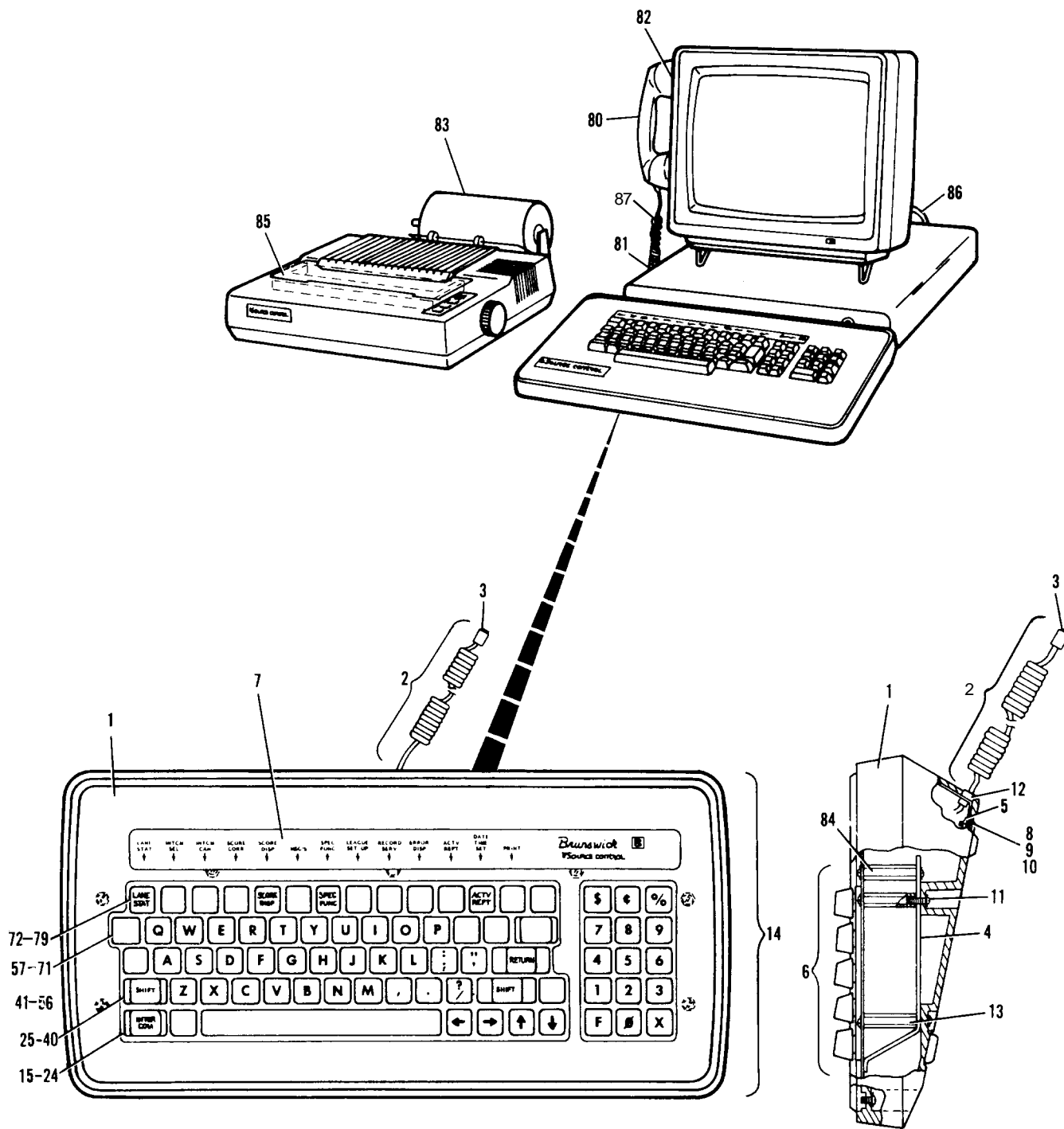
Index No.	Part No.	Description
1.	57-214741-000	Keyboard Enclosure
2.	57-214743-000	Keyboard Cable Assembly
3.	N.A.	Connector
4.	57-214712-000	Mounting Plate
5.	57-214713-000	Connector Mounting Bracket
6.	N.A.	Keyboard PCB Assembly
7.	N.A.	Keyboard Decal
8.	11-012274-001	Pan Hd. C.R. Screw (#6-32 x 1/2")
9.	11-190002-001	Plain Washer (#6)
10.	11-176005-001	Keps Nut (#6-32)
11.	11-017041-001	Round Hd. Sems C.R. Screw (#6-32 x 3/8")
12.	11-611005-000	Strain Relief Bushing
13.	11-185306-000	Hex Threaded Spacer (#6-32 x 1")
14.	57-860554-000	Keyboard Assembly - Complete (Brunswick Repair/Exchange)
15.	N.A.	Keycap "Inter Com"
16.	N.A.	Keycap "Blank"
17.	N.A.	Keycap "Space Bar"
18.	57-214754-005	Keycap "Arrow Left"
19.	57-214754-006	Keycap "Arrow Right"
20.	57-214754-007	Keycap "Arrow Up"
21.	57-214754-008	Keycap "Arrow Down"
22.	N.A.	Keycap "F"
23.	N.A.	Keycap "O"
24.	N.A.	Keycap "X"
25.	N.A.	Keycap Small "Shift"
26.	N.A.	Keycap "Z"
27.	N.A.	Keycap "X"
28.	N.A.	Keycap "C"
29.	N.A.	Keycap "V"
30.	N.A.	Keycap "B"
31.	N.A.	Keycap "N"
32.	N.A.	Keycap "M"
33.	N.A.	Keycap "Comma"
34.	N.A.	Keycap "Period"
35.	N.A.	Keycap "?" and "/"
36.	N.A.	Keycap Large "Shift"
37.	N.A.	Keycap "Blank"
38.	57-214755-017	Keycap "1"
39.	57-214755-018	Keycap "2"
40.	N.A.	Keycap "3"
41.	N.A.	Keycap "Blank"
42.	N.A.	Keycap "A"
43.	N.A.	Keycap "S"
44.	N.A.	Keycap "D"
45.	N.A.	Keycap "F"
46.	N.A.	Keycap "G"
47.	N.A.	Keycap "H"
48.	N.A.	Keycap "J"
49.	N.A.	Keycap "K"
50.	N.A.	Keycap "L"
51.	N.A.	Keycap ; and ;
52.	N.A.	Keycap " and ' "
53.	57-214756-016	Keycap "Return"
54.	N.A.	Keycap "4"
55.	N.A.	Keycap "5"
56.	N.A.	Keycap "6"
57.	N.A.	Keycap "Blank"
58.	N.A.	Keycap "Q"
59.	N.A.	Keycap "W"
60.	N.A.	Keycap "E"
61.	N.A.	Keycap "R"
62.	N.A.	Keycap "T"
63.	N.A.	Keycap "Y"
64.	N.A.	Keycap "U"
65.	N.A.	Keycap "I"
66.	N.A.	Keycap "O"
67.	57-214757-014	Keycap "P"
68.	N.A.	Keycap Large "Blank"
69.	N.A.	Keycap "7"
70.	N.A.	Keycap "8"
71.	N.A.	Keycap "9"
72.	57-214758-002	Keycap "Lane Stat"
73.	N.A.	Keycap "Blank"
74.	57-214758-004	Keycap "Score Disp"
75.	57-214758-005	Keycap "Spec Func"
76.	57-214758-006	Keycap "Actv Rept"
77.	N.A.	Keycap "\$"
78.	N.A.	Keycap "c"
79.	N.A.	Keycap "%"
80.	57-214717-000	Handset Assembly (Brunswick Repair/Exchange)
81.	11-697247-000	Connector
82.	57-214718-000	Handset Holder
83.	57-860286-000	Printer Paper (Pkg. of 2 Rolls)
84.	11-185313-000	Hex Threaded Spacer (#6-32 x 7/8")
85.	57-860189-000	Printer Ribbon Cartridge
86.	57-214951-000	Magnavox Cable Assembly
87.	11-680730-000	Handset Cable Assembly
88.	N.A.	Keycap Decals - Complete Set (Cream w/Black Decals)
89.	N.A.	Keycap Decals - Complete Set (Gray w/White Characters)

N.A. = No Longer Available

Associated Interconnecting Cables

57-214182-000 Manager's Control Adapter Cable
Printer Cable

Source Control



Source Control

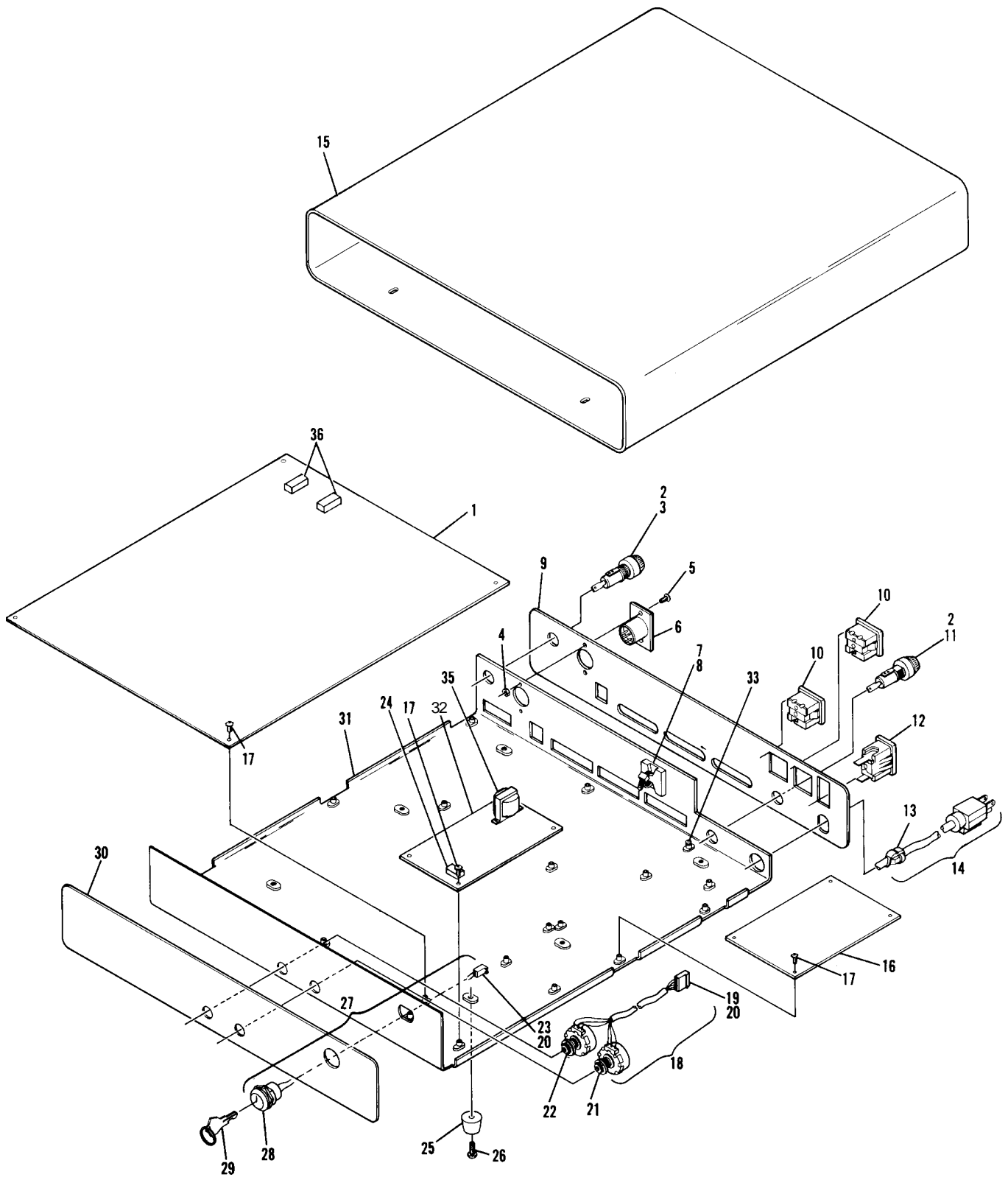
Index No.	Part No.	Description
1.	57-860282-507	Main Logic PCB Assembly (for Panasonic Monitors) (Brunswick Repair/Exchange)
	57-860319-507	Main Logic PCB Assembly (for Magnavox Monitors) (Brunswick Repair/Exchange)
2.	11-685126-000	Fuse Holder
3.	11-684011-000	Slo Blo Fuse (0.5 Amp)
4.	11-124000-001	Electrical Hex Nut (#4-40)
5.	11-014002-001	Flat Hd. C.R. Screw (#4-40 x 3/8")
6.	11-697248-000	XLR Connector
7.	11-697051-000	Mounting Clamp
8.	11-603105-000	Cable Tie
9.	57-214723-000	Rear Plate
10.	11-690537-000	Power Receptacle
11.	11-685019-000	Fast Blo Fuse (4.0 Amp)
12.	11-615476-000	Power Switch
13.	11-611009-000	Strain Relief Bushing
14.	57-214733-000	Line Cord Cable Assembly
15.	57-214726-000	Cabinet
16.	57-214705-010	Power Supply (Brunswick Repair/Exchange)
17.	11-017041-001	Round Hd. C.R. Sems Screw (#6-32 x 3/8")
18.	57-214707-000	Audio Cable Assembly
19.	11-697232-000	Connector
20.	11-680326-000	Terminal
21.	11-693513-000	Variable Resistor 10K Ohm, 2 Watt
22.	11-693512-000	Variable Resistor 1K Ohm, 2 Watt
23.	11-697231-000	Connector
24.	11-696603-000	Relay SPDT
25.	57-214708-000	Bumper Foot
26.	11-012274-001	Pan Hd. C.R. Screw (#6-32 x 1/2")
27.	57-214701-000	Key Switch Cable Assembly
28.	11-697249-000	Key Switch
29.	11-697249-002	Replacement Key Only
30.	57-214724-000	Front Plate
31.	57-214725-000	Chassis Assembly
32.	57-860289-000	Audio PCB Assembly (Brunswick Repair/Exchange)
33.	11-017043-001	Round Hd. C.R. Sems Screw (#6-32 x 1/2")
34.	*11-199002-001	Internal Tooth Lockwasher (#8)
35.	11-697107-000	Transformer
36.	11-614350-000	Relay 24 Volt DPDT

* Not Illustrated

Associated Interconnecting Cables

57-214182-000	Manager's Control Adapter Cable
67-860231-000	Office Computer Interface Cable

Source Control Chassis

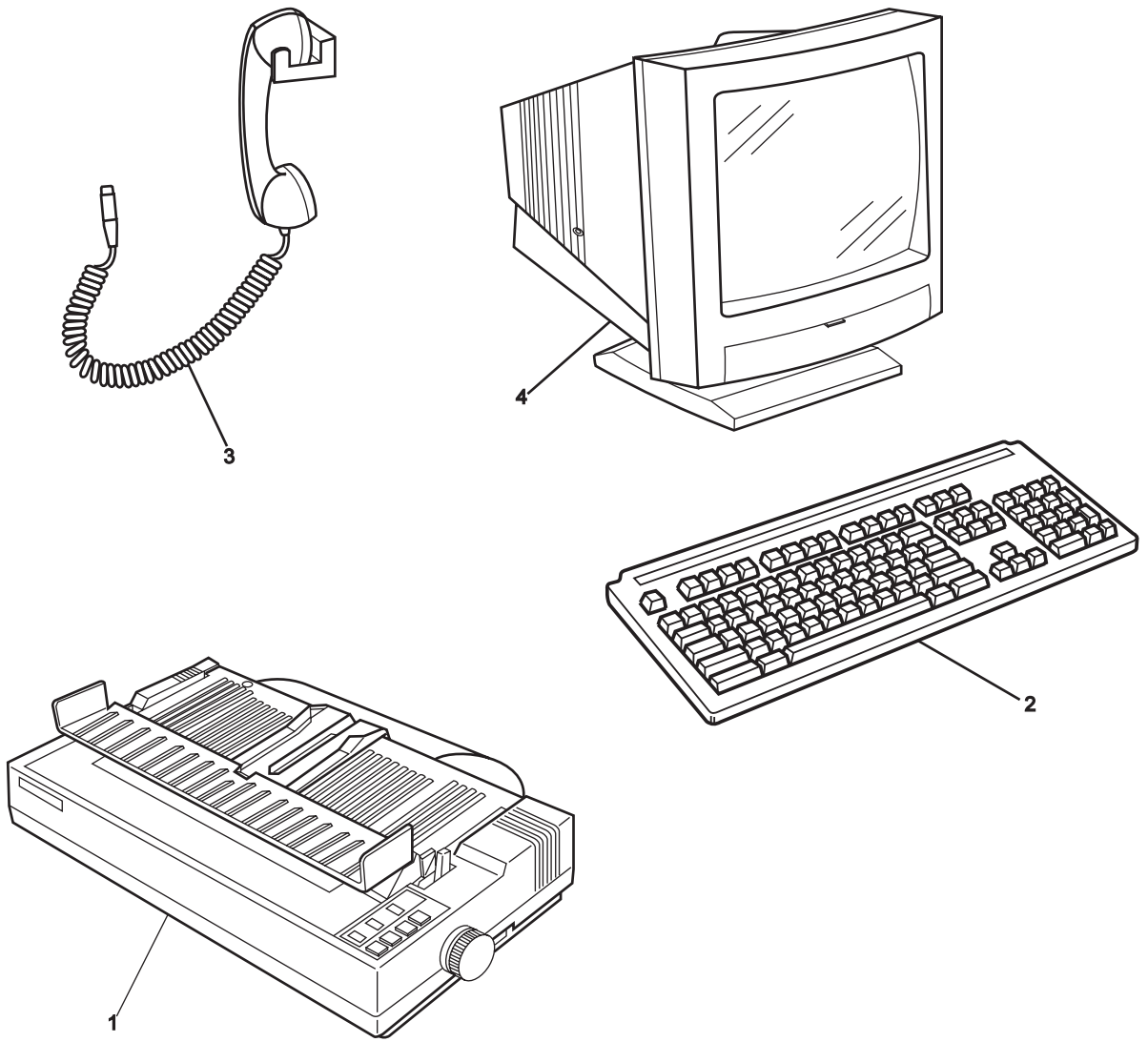


Source Control Chassis

Index No.	Part No.	Description
1.	57-860278-000	Manager's Control Printer Assembly (Brunswick Repair/Exchange)
2.	57-860554-000	Keyboard Assembly (Brunswick Repair/Exchange)
3.	57-860320-000	Handset - Adapter Cables & Hardware Package
4.	57-860273-000	Monitor (Brunswick Repair/Exchange)
5.	*57-860286-000	Computer Printer Roll Paper

* Not Illustrated

1.5 Manager's Control Printer, Keyboard, and Handset



**1.5 Manager's Control Printer,
Keyboard, and Handset**

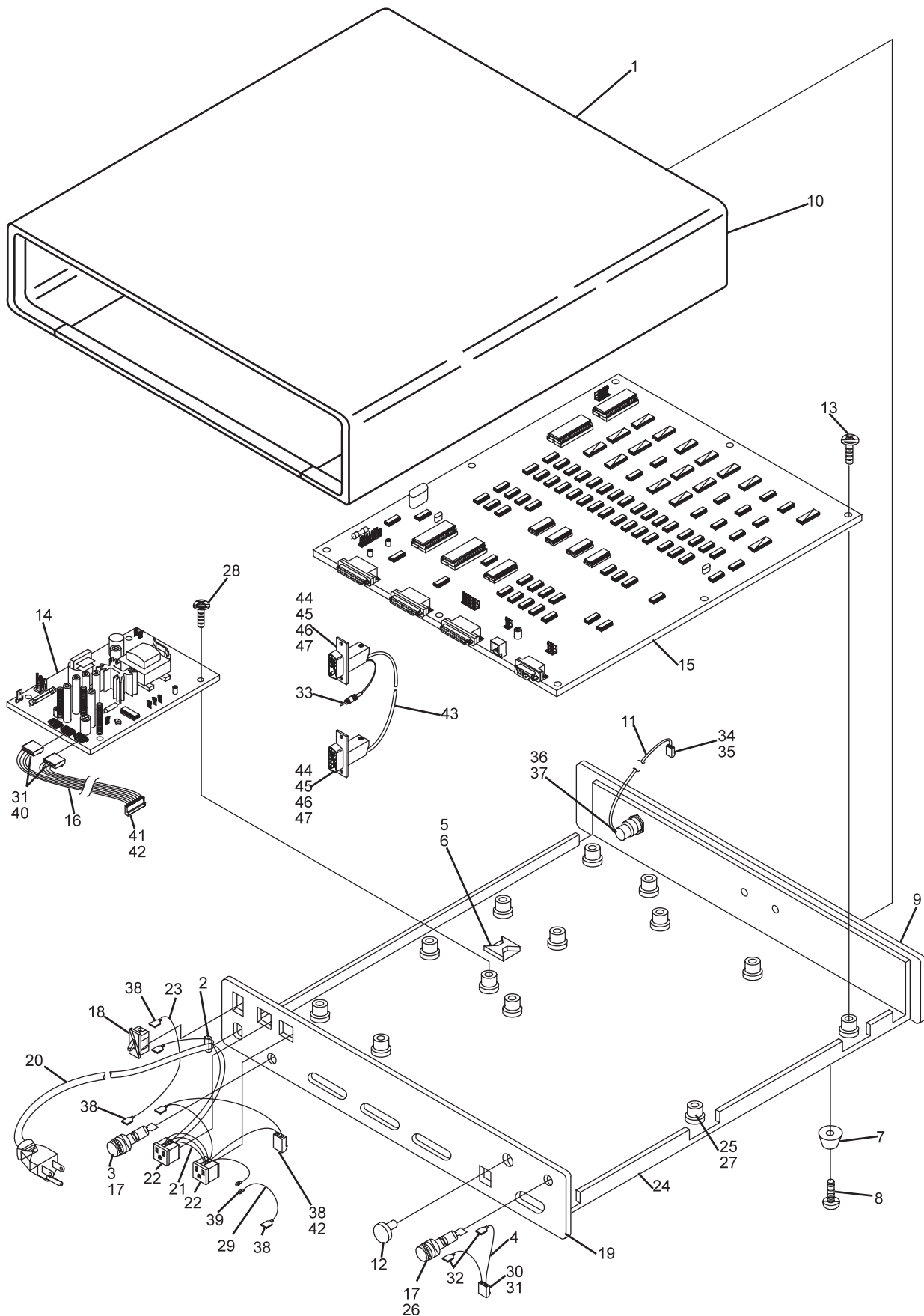
Index No.	Part No.	Description
1.	57-860555-401	MC 1.5 Chassis for AS-K (Brunswick Repair/Exchange)
2.	11-611009-000	Strain Relief Bushing
3.	11-684007-000	Slo Blo Fuse (4.0 Amp)
4.	N.A.	Com Line Cable Assembly
5.	11-697051-000	Mounting Clamp
6.	11-603105-000	Tie Wrap
7.	57-214708-000	Bumper Foot
8.	11-012274-001	Pan Hd. C.R. Screw (#6-32 x 1/2")
9.	57-214724-000	Front Plate
10.	57-214726-000	Cabinet
11.	57-214701-000	Key Switch Cable Assembly
12.	N.A.	Nylon Plug
13.	11-017041-001	Screw w/ Ext. Tooth Lockwasher (#6-32 x .38")
14.	57-214705-010	Power Supply Assembly (Brunswick Repair/Exchange)
15.	N.A.	Main Logic PCB Univ. (AS-K, AS90) (Brunswick Repair/Exchange)
16.	57-214727-000	Power Cable
17.	11-685126-000	Fuse Holder
18.	11-615476-000	Switch
19.	57-214723-000	Rear Plate
20.	57-214733-000	Power Cord Assembly
21.	57-214732-000	A/C Power Cable Assembly
22.	11-690542-000	Power Receptacle
23.	57-214734-000	Switch Cable Assembly
24.	57-214725-000	Control Chassis
25.	11-199002-001	Int. Tooth Lockwasher
26.	11-684011-000	Fuse (0.5 Amp)
27.	11-611526-000	Shoulder Bushing
28.	11-017043-001	Screw w/ Ext. Lockwasher (#6-32 x 1/2")
29.	57-214996-000	Green Ground Cable Assembly
30.	11-697236-000	Connector
31.	11-680326-000	Terminal
32.	11-612253-000	Faston
33.	11-681300-000	Phono Plug
34.	11-697231-000	Connector
35.	11-680323-000	Terminal
36.	11-697249-002	Key
37.	11-697249-000	Key Switch
38.	11-612152-000	Receptacle
39.	11-612006-000	Terminal
40.	11-697234-000	Connector
41.	11-697208-000	Connector
42.	11-680322-000	Terminal
43.	57-215318-000	Magnavox Monitor Stereo Cable Assembly
44.	11-680985-000	Connector
45.	11-680980-000	Cover
46.	11-680981-000	Terminal
47.	11-680988-000	Retaining Screw

N.A. = No Longer Available

Associated Interconnecting Cables

57-214182-000	Manager's Control Adapter Cable
67-860231-000	Office Computer Interface Cable

MC 1.5 Chassis for AS-K



MC 1.5 Chassis for AS-K

Index No.	Part No.	Description
1.	N.A.	MC 1.5 Chassis Assembly for AS-90 (Brunswick Repair/Exchange)
2.	11-611009-000	Strain Relief Bushing
3.	11-684007-000	Slo-Blo Fuse (4.0 Amp)
4.	N.A.	Com Line Cable Assembly
5.	11-697051-000	Mounting Clamp
6.	11-603105-000	Tie Wrap
7.	57-214708-000	Bumper Foot
8.	11-012274-001	Pan Hd. C.R. Screw (#6-32 x 1/2")
9.	57-214724-000	Front Plate
10.	57-214726-000	Cabinet
11.	57-214701-000	Key Switch Cable Assembly
12.	57-214730-000	Handset Cable Assembly
13.	11-017041-001	Screw w/ Ext. Tooth Lockwasher (#6-32 x 3/8")
14.	57-214705-010	Power Supply Assembly (Brunswick Repair/Exchange)
15.	*N.A.	Main Logic PCB (Brunswick Repair/Exchange)
16.	57-214727-000	Power Cable
17.	11-685126-000	Fuse Holder
18.	11-615476-000	Switch
19.	57-214723-000	Rear Plate
20.	57-214733-000	Power Cord Assembly
21.	57-214732-000	A/C Power Cable Assembly
22.	11-690542-000	Power Receptacle
23.	57-214734-000	Switch Cable Assembly
24.	57-214725-000	Control Chassis
25.	11-199002-001	Int. Tooth Lockwasher
26.	11-684011-000	Fuse (0.5 Amp)
27.	11-611526-000	Shoulder Bushing
28.	11-017043-001	Screw w/ Ext. Tooth Lockwasher (#6-32 x 1/2")
29.	57-214996-000	Green Ground Cable Assembly
30.	57-860289-000	Audio Board PCB Assembly (Brunswick Repair/Exchange)
31.	57-214728-000	Audio Logic Cable Assembly
32.	57-214707-000	Audio Cable Assembly
33.	11-124000-001	Hex Nut (#4-40)
34.	11-014002-001	Flat Hd. C.R. Screw (#4-40 x 3/8")
35.	11-697236-000	Connector
36.	11-680326-000	Terminal
37.	11-612253-000	Faston
38.	11-681300-000	Phono Plug
39.	11-697231-000	Connector
40.	11-680323-000	Terminal
41.	11-697249-002	Key
42.	11-697249-000	Key Switch
43.	11-697234-000	Connector
44.	11-697248-000	Connector
45.	11-612152-000	Receptacle
46.	11-612006-000	Terminal
47.	11-697235-000	Connector
48.	11-697232-000	Connector
49.	11-693513-000	Potentiometer (10K)
50.	11-693512-000	Potentiometer (1K)
51.	11-680988-000	Retaining Screw
52.	11-697208-000	Connector
53.	11-680322-000	Terminal
54.	57-215318-000	Magnavox Monitor Stereo Cable Assembly
55.	11-680985-000	Connector
56.	11-680980-000	Cover
57.	11-680981-000	Terminal

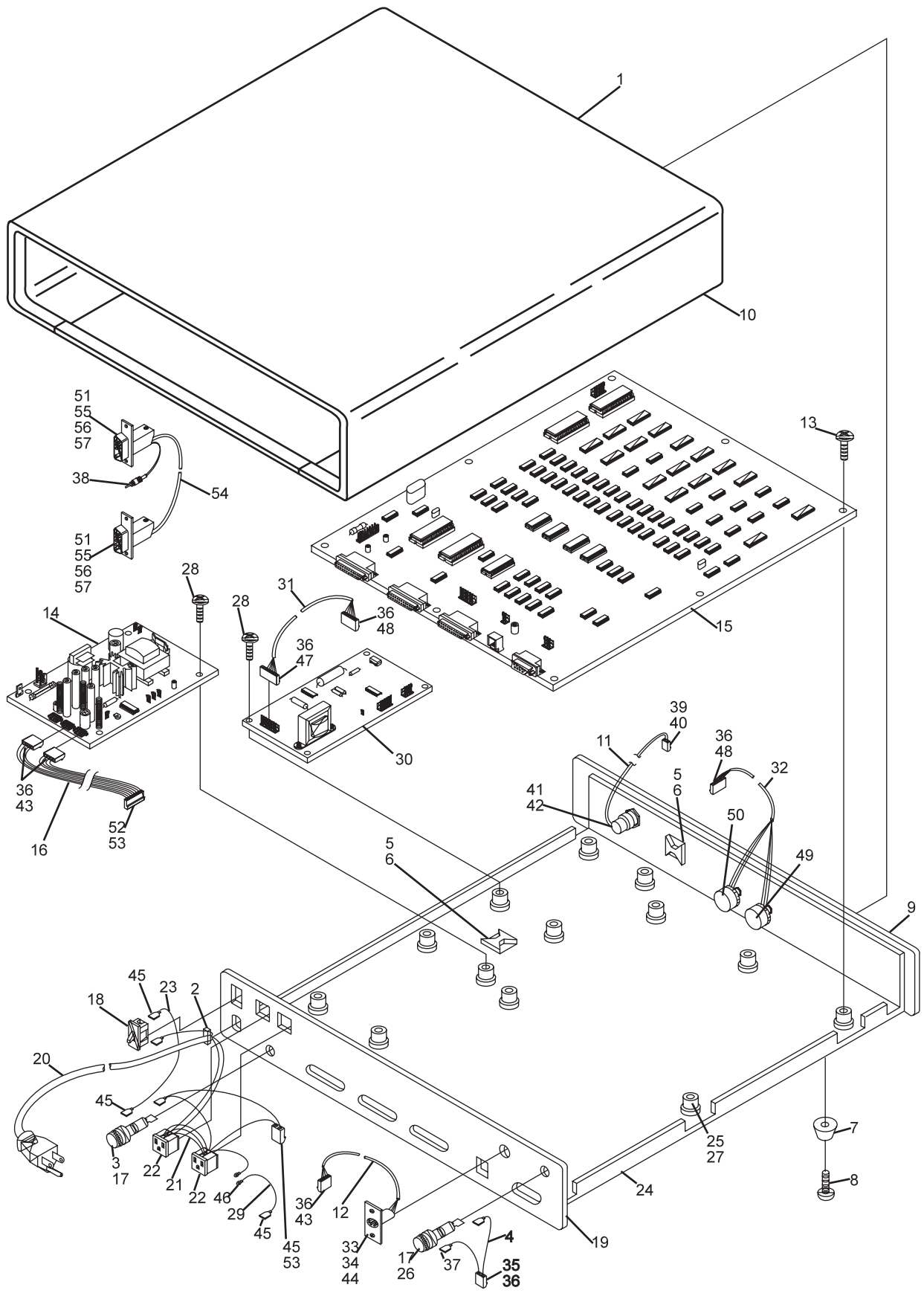
N.A. = No Longer Available

* You must contact Brunswick Customer Service to determine the correct software for your center. Call 1-800-YES-BOWL (1-800-937-2695)

Associated Interconnecting Cables

57-214182-000	Manager's Control Adapter Cable
67-860231-000	Office Computer Interface Cable

MC 1.5 Chassis for AS-90



MC 1.5 Chassis for AS-90

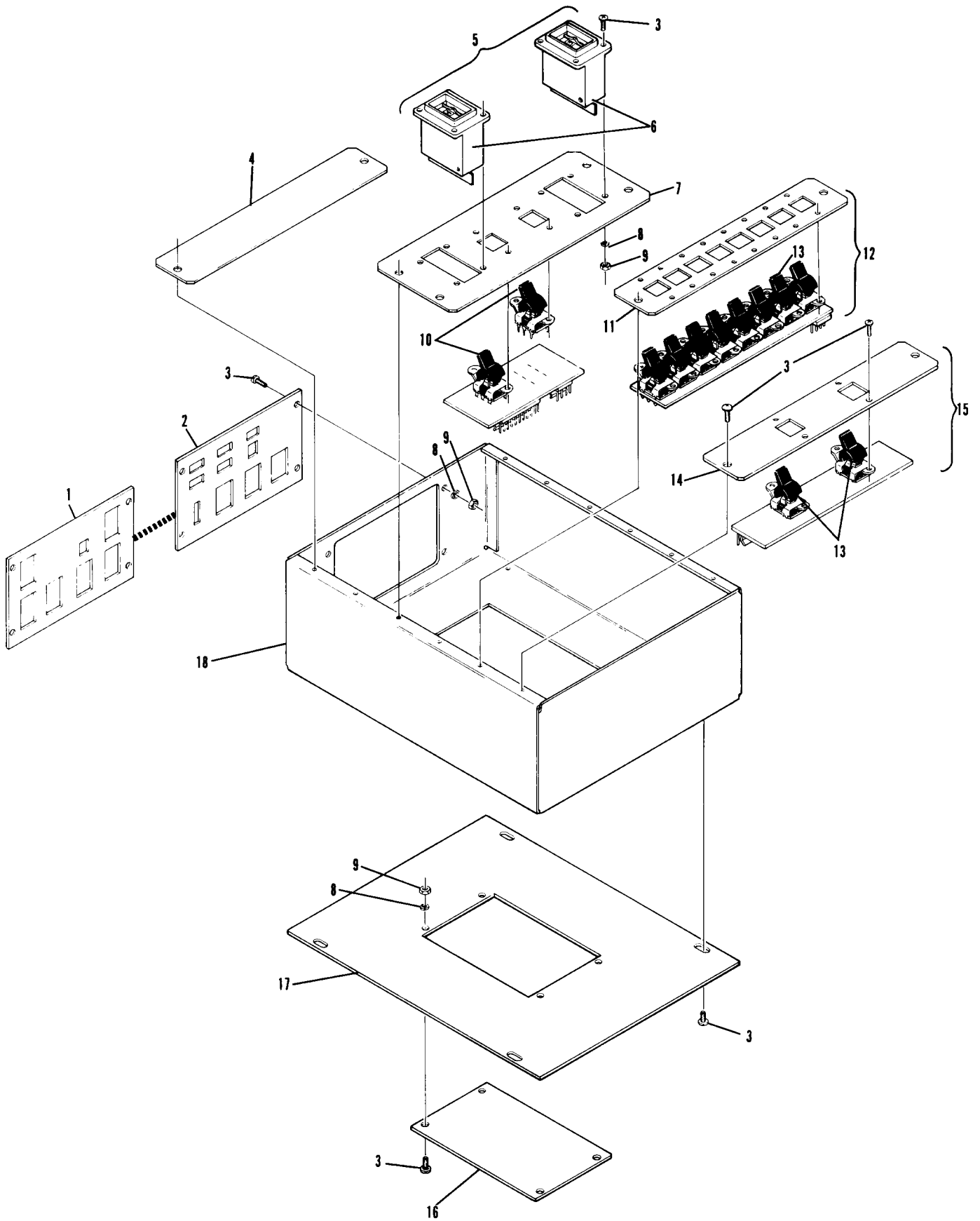
Index No.	Part No.	Description
1.	N.A.	Expansion Connector Plate
2.	N.A.	Connector Plate
3.	11-024045-001	T.Hd. C.R. Screw (#6-32 x 3/8")
4.	N.A.	Switch Plate (Blank)
5.	N.A.	Color Select PCB Assembly
6.	17-202241-000	Coded Switch
7.	N.A.	Switch Plate Only
8.	11-195006-001	Lockwasher (#6)
9.	11-125001-001	Hex Nut (#6-32)
10.	11-674969-000	Rocker Switch
11.	N.A.	Switch Plate - 8 Hole
12.	N.A.	Selection Board Assembly
13.	11-674968-000	Rocker Switch
14.	N.A.	Switch Plate - 2 Hole
15.	N.A.	Master Switch Plate Assembly
16.	N.A.	Blank Cover
17.	N.A.	Back Cover
18.	N.A.	Control Box Only

N.A. = No Longer Available

Associated Interconnecting Cables

57-214417-003	VCR Audio Cable (One to each Scorer Console)
57-214417-002	Single Video Control Cable (One to each Overhead)
57-214415-000	Video Select Control Cable (to End Overhead)
57-214433-000	Color Select Cable (to End Overhead)
57-214486-000	Video All Select (to End Overhead)
57-214484-000	Audio to House P.A.

Colorvision Control Box Assembly

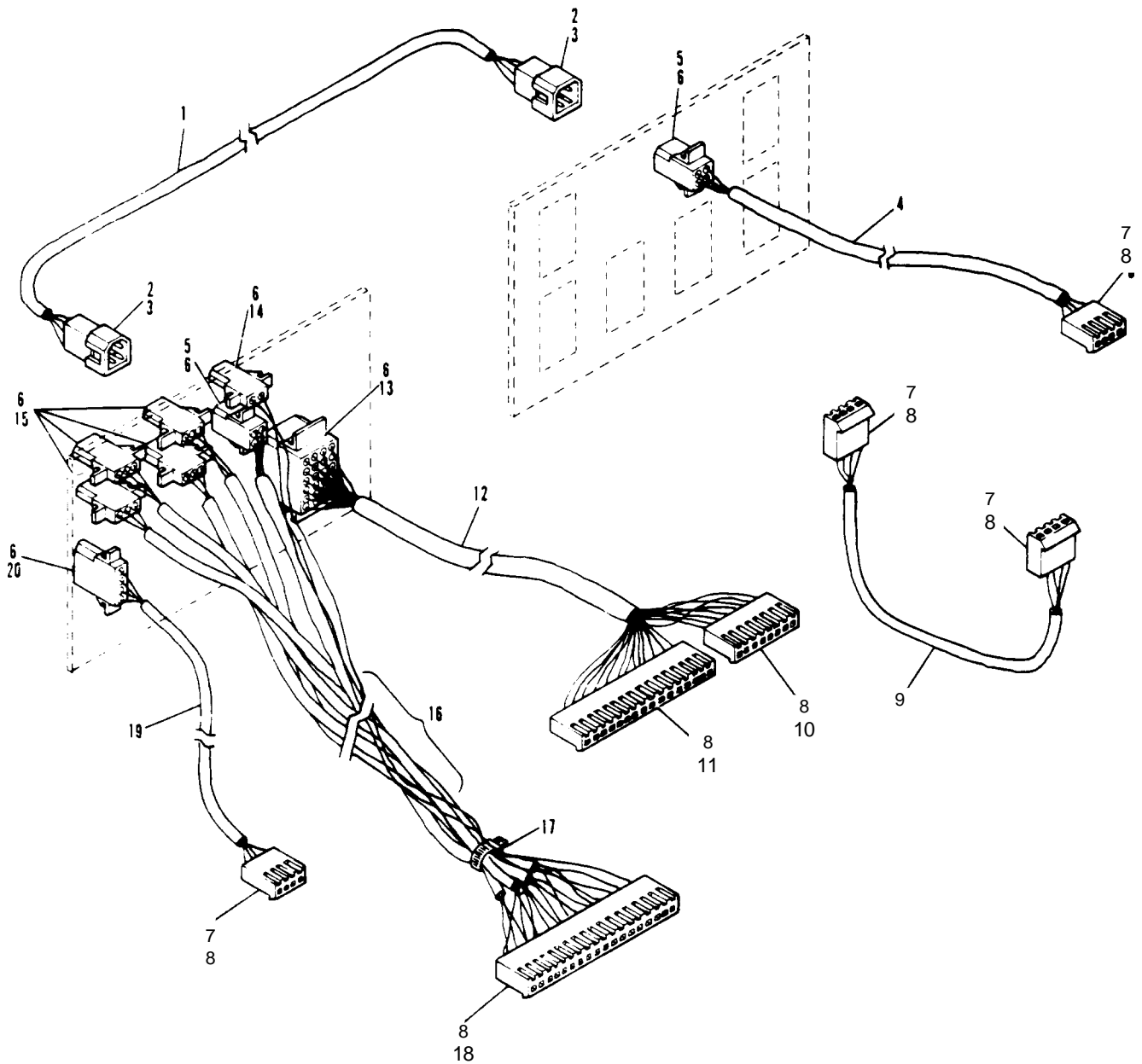


Colorvision Control Box Assembly

Index No.	Part No.	Description
1.	N.A.	Expansion Interconnect Cable
2.	11-680119-000	Connector Plug
3.	11-680302-000	Terminal
4.	N.A.	Manager's Control Expansion Cable
5.	11-680219-000	Connector
6.	11-680301-000	Terminal
7.	11-697202-000	Connector
8.	11-680322-000	Terminal
9.	N.A.	Switch Board Interconnect Cable
10.	11-697208-000	Connector
11.	11-697209-000	Connector
12.	57-214402-000	Control Box Cable Assembly
13.	N.A.	Connector
14.	N.A.	Connector
15.	11-680203-000	Connector
16.	57-214400-000	Control Box Master Switch Cable
17.	11-603108-000	Cable Tie
18.	11-697210-000	Connector
19.	57-214433-000	Color Select Switch Cable
20.	N.A.	Connector

N.A. = No Longer Available

Colorvision Control Box Cable Assemblies

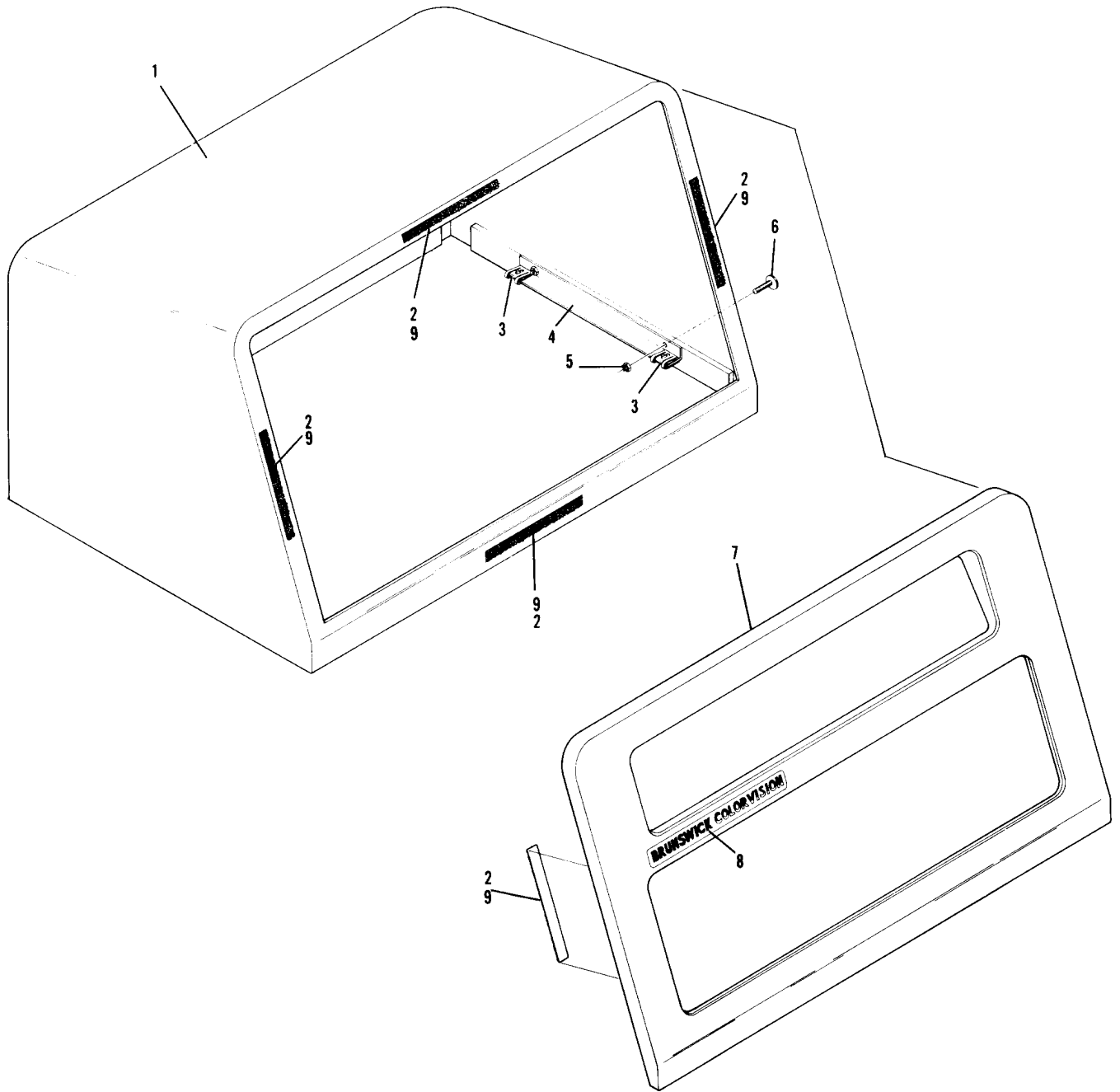


Colorvision Control Box Cable Assemblies

Index No.	Part No.	Description
1.	N.A.	Switch Box Hood Assembly
2.	N.A.	Velcro Loop
3.	57-214276-003	Key #4 Toolhead
4.	57-214473-000	Hood Mounting Bracket
5.	11-176000-001	Keps Nut (1/4-20)
6.	54-100107-002	Nib Screw (1/4-20 x 1-1/8")
7.	57-214477-000	Hood Faceplate
8.	57-214619-000	Colorvision Decal
9.	N.A.	Velcro Hook

N.A. = No Longer Available

Colorvision Video Control Console Cabinet



Colorvision Video Control Console Cabinet

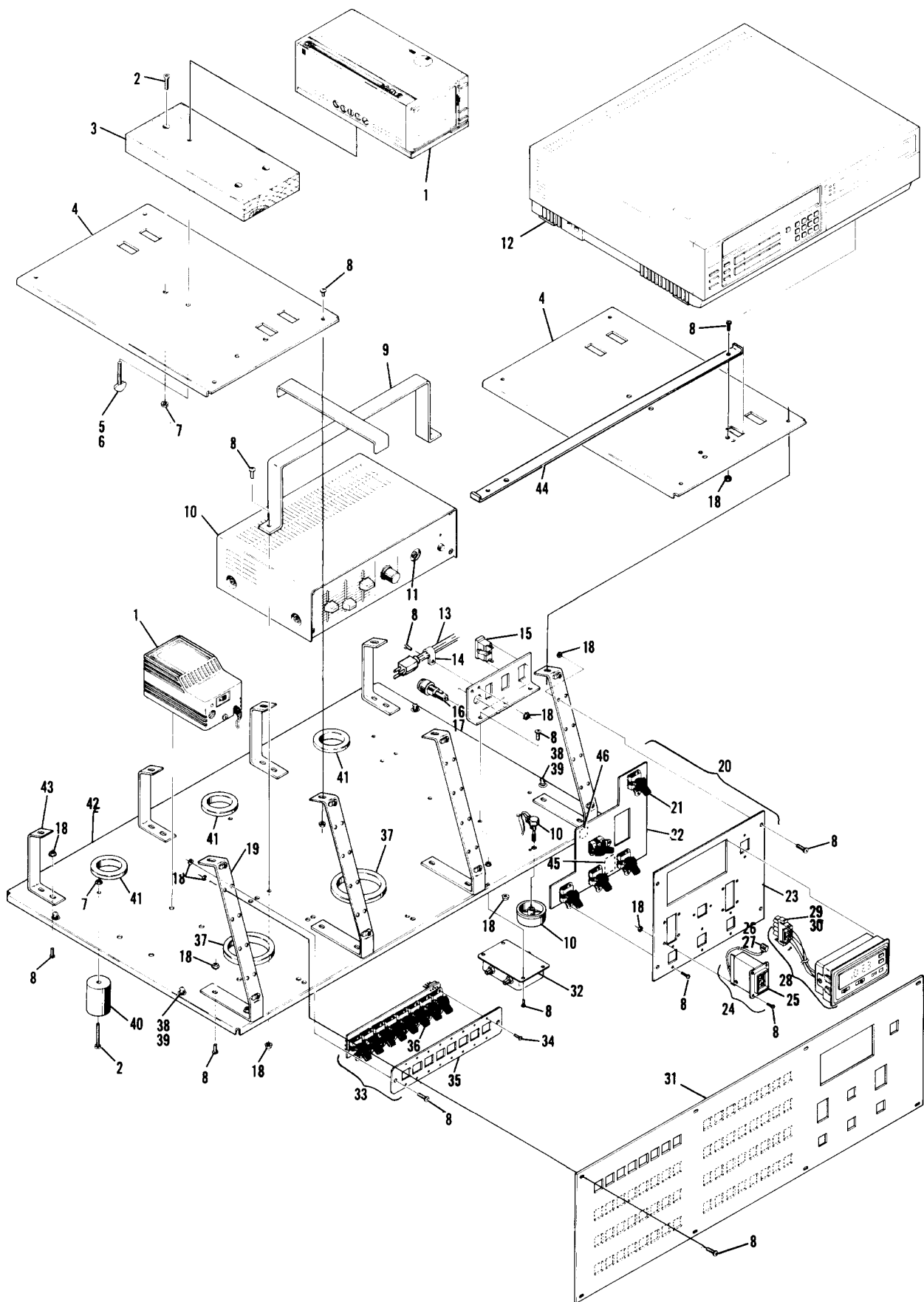
Index No.	Part No.	Description
1.	N.A.	Monitor Assembly w/AC Adapter (Brunswick Repair/Exchange)
2.	N.A.	Pan Hd. C.R. Screw (#10-32 x 1-1/2")
3.	N.A.	Monitor Mounting Block
4.	N.A.	Monitor Mounting Plate
5.	11-045022-001	Wing Bolt (1/4-20 x 1-1/2")
6.	11-176000-001	Keps Nut (1/4-20)
7.	11-176008-001	Keps Nut (#10-32)
8.	11-012272-001	Pan Hd. C.R. Screw (#6-32 x 3/8")
9.	N.A.	Amplifier Retaining Clamp
10.	N.A.	Amplifier Assembly (Brunswick Repair/Exchange)
11.	11-651019-000	Grommet
12.	57-860174-000	Front Loading VCR (Brunswick Repair/Exchange)
13.	17-600752-000	Service Cord Assembly
14.	11-605013-000	Cable Clamp
15.	N.A.	Receptacle
16.	11-685127-000	Fuse Holder
17.	11-684104-000	Slo Blo Fuse (1 Amp)
18.	11-176005-001	Keps Nut (#6-32)
19.	57-214610-000	Front Mounting Bracket
20.	N.A.	Power Panel Assembly (Brunswick Repair/Exchange)
21.	11-674969-000	Rocker Switch
22.	N.A.	Colorvision PCB Assembly
23.	N.A.	Color Select Switch Plate
24.	N.A.	Color Select Switch Assembly
25.	17-202241-000	Coded Switch Only
26.	N.A.	Connector
27.	11-680326-000	Terminal
28.	N.A.	Clock Assembly - Complete
29.	11-696703-000	Connector
30.	11-697185-000	Terminal
31.	N.A.	Front Switch Plate (8 Switch)
	N.A.	Front Switch Plate (16 Switch)
	57-214615-024	Front Switch Plate (24 Switch)
	N.A.	Front Switch Plate (32 Switch)
	N.A.	Front Switch Plate (40 Switch)
	57-214615-048	Front Switch Plate (48 Switch)
	N.A.	Front Switch Plate (56 Switch)
	N.A.	Front Switch Plate (64 Switch)
32.	57-214612-000	TV/VCR Switch
33.	N.A.	Selection Board Assembly - Complete
34.	N.A.	T. Hd. C.R. Screw (#6-32 x 3/8")
35.	N.A.	Switch Plate
36.	11-674968-000	Rocker Switch
37.	N.A.	Grommet (2-1/2")
38.	N.A.	Quarter Turn Fastener Stud
39.	11-537016-001	Retaining Ring
40.	N.A.	Rubber Foot
41.	N.A.	Grommet (1-1/2")
42.	N.A.	Base Plate
43.	N.A.	Rear Mounting Bracket
44.	57-214631-000	VCR Bracket
45.	11-697106-000	Transformer
46.	11-672519-000	Relay 12 Volt 3PDT

N.A. = No Longer Available

Associated Interconnecting Cables

57-214417-003	VCR Audio Cable (One to each Scorer Console)
57-214417-002	Single Video Control Cable (One to each Overhead)
57-214415-000	Video Select Control Cable (to End Overhead)
57-214433-000	Color Select Cable (to End Overhead)
57-214486-000	Video All Select Cable (to End Overhead)
57-214484-000	Audio to House P.A. Cable TV/Antenna Input (Bulk Cable - 75ohm coax with F59 connector)
57-214413-000	VCR to Overhead (Video) Cable

Colorvision Video Control Console



Colorvision Video Control Console

Index

No.	Part No.	Description
1.	57-214852-000	Power Supply Assembly
2.	11-693514-000	Potentiometer 100K Ohm
3.	11-001734-001	Screw
4.	57-214701-000	Keyswitch Key Assembly
5.	11-684013-000	Slo Blo Fuse (2.0 Amp)
6.	11-615477-000	Knob
7.	N.A.	Bridge Rectifier
8.	57-214860-003	Transformer 20 Volt
9.	57-214860-002	Transformer 10 Volt
10.	* N.A.	Mother Board
11.	57-214875-002	Guide Rail
12.	57-214875-009	PCB Retainer
13.	**57-860324-403	CPU Assembly (Brunswick Repair/Exchange)
14.	57-860323-625	DTS Interface Assembly (Brunswick Repair/Exchange)
15.	11-675428-000	Neon Lamp
16.	57-860193-000	Relay PCB (Brunswick Repair/Exchange)
17.	* N.A.	Bypass PCB
18.	11-615476-000	On/Off Switch
19.	11-697249-002	Replacement Key Only

N.A. = No Longer Available

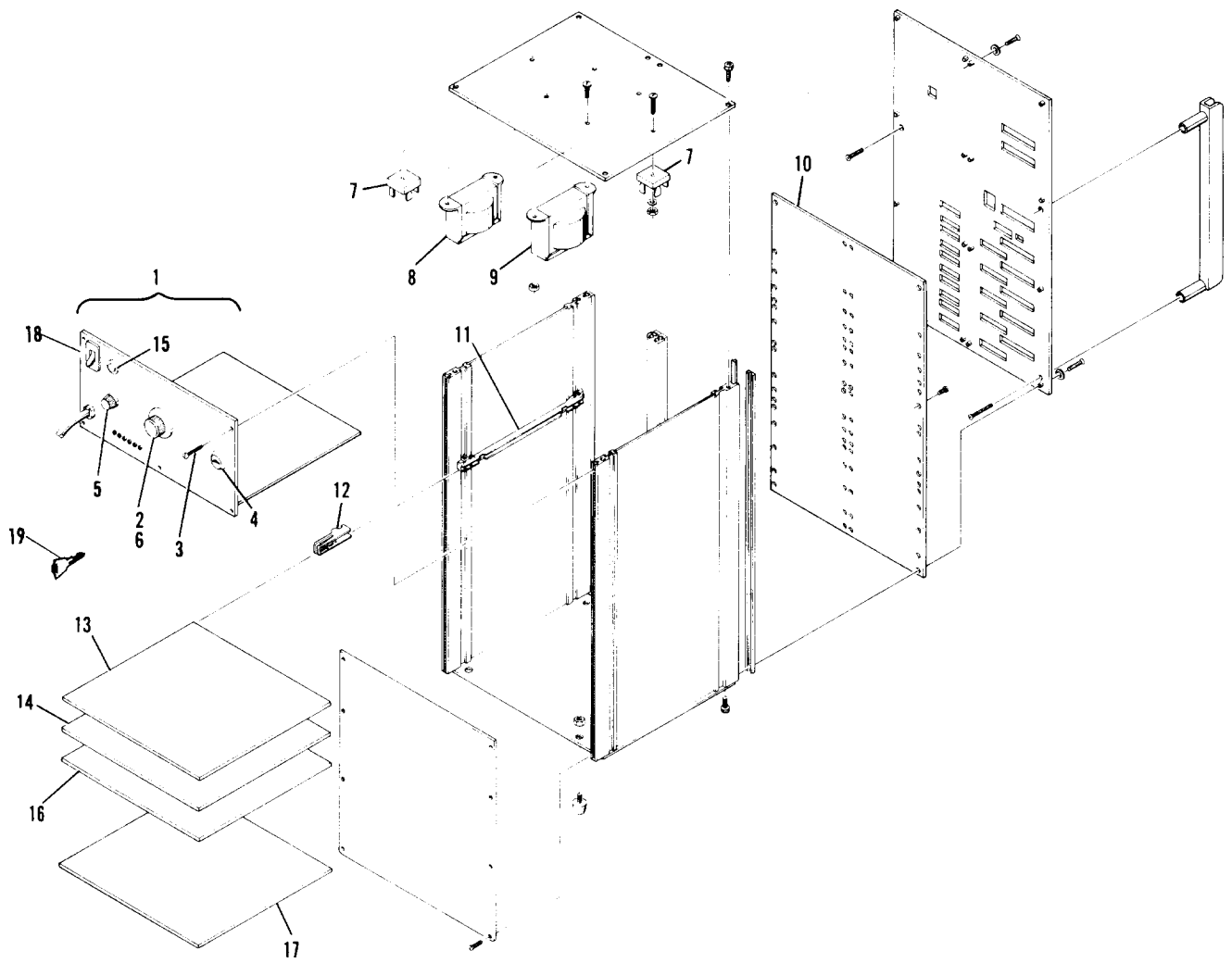
* Contact Electronic Repair Center, Muskegon, MI.

** You must contact Brunswick Customer Service to determine the correct software for your center. Call 1-800-YES-BOWL (1-800-937-2695)

Associated Interconnecting Cables

57-214580-000	Automatic Scorer Control Cable Assembly (One to each Console)
57-214883-000	Source Terminal (DTS) to Source Command Cable Assembly
57-214581-000	Automatic Pinsetter Control Cable Assembly (to A/P Control Box)
57-214858-000	VCR to Source Command Audio Cable Assembly
57-214582-000	AS-80 Console Audio Cable Assembly
57-214584-000	Source Control (MCC) Comline Jumper Cable Assembly
57-214583-000	Overhead Comline Cable Assembly (to End Overhead)
57-214182-000	Comline Adapter Cable Assembly
57-214743-010	Keypad Cable Assembly
57-214910-000	A/P Control Cable Assembly (to AMF Source Command Interface Box)

Source Command

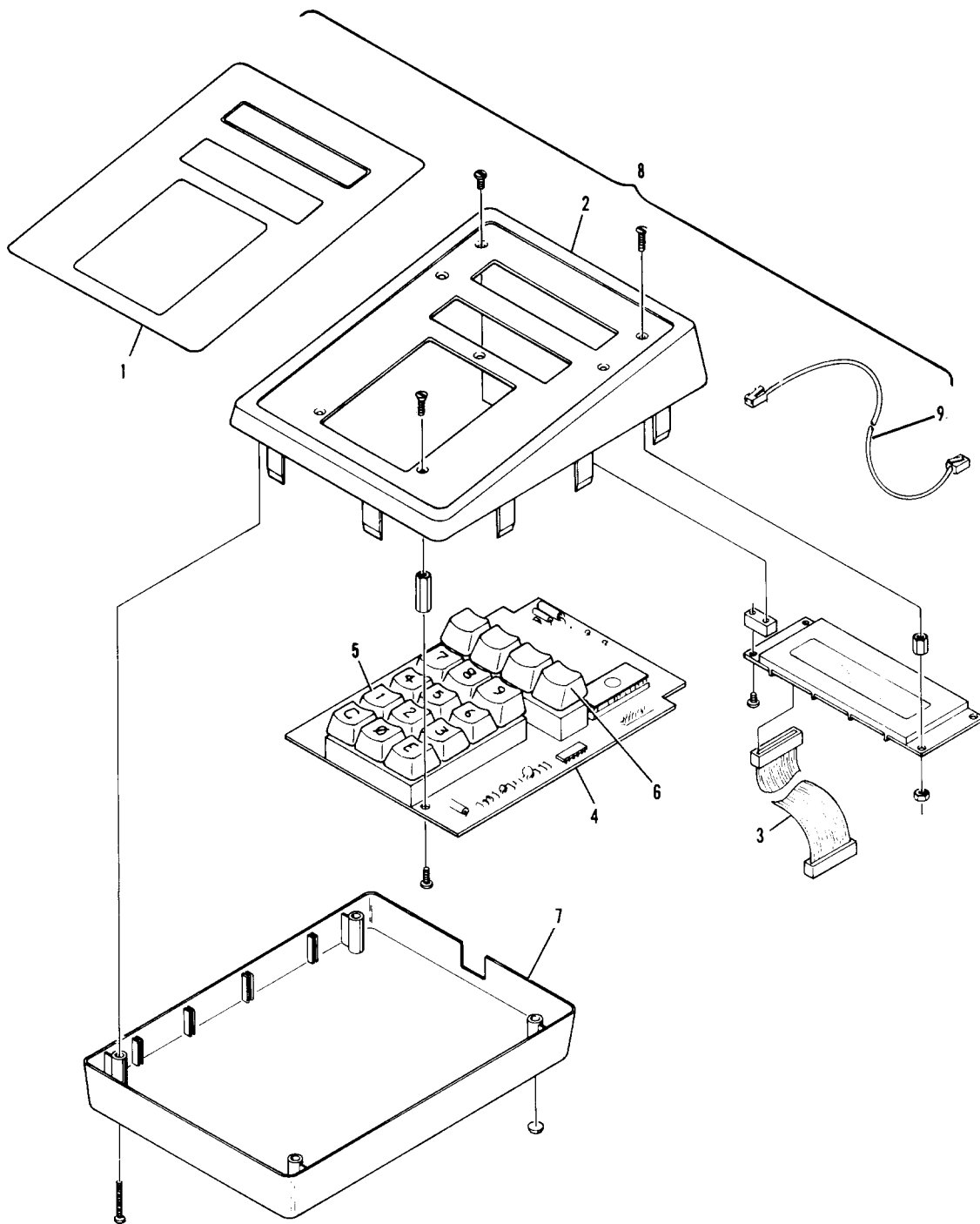


Source Command

Index No.	Part No.	Description
1.	N.A.	Keypad Decal
2.	N.A.	Top
3.	N.A.	Ribbon Cable Assembly - Complete
4.	N.A.	PCB Assembly - Complete
5.	N.A.	Keycap "C"
	N.A.	Keycap "0"
	N.A.	Keycap "E"
	N.A.	Keycap "1"
	N.A.	Keycap "2"
	N.A.	Keycap "3"
	N.A.	Keycap "4"
	N.A.	Keycap "5"
	N.A.	Keycap "6"
	N.A.	Keycap "7"
	N.A.	Keycap "8"
	N.A.	Keycap "9"
6.	N.A.	Keycap "Blank"
7.	N.A.	Bottom
8.	57-214851-000	Keypad Assembly - Complete (Brunswick Repair/Exchange)
9.	57-214743-010	Cable Assembly

N.A. = No Longer Available

Source Command Keypad



Source Command Keypad

Index

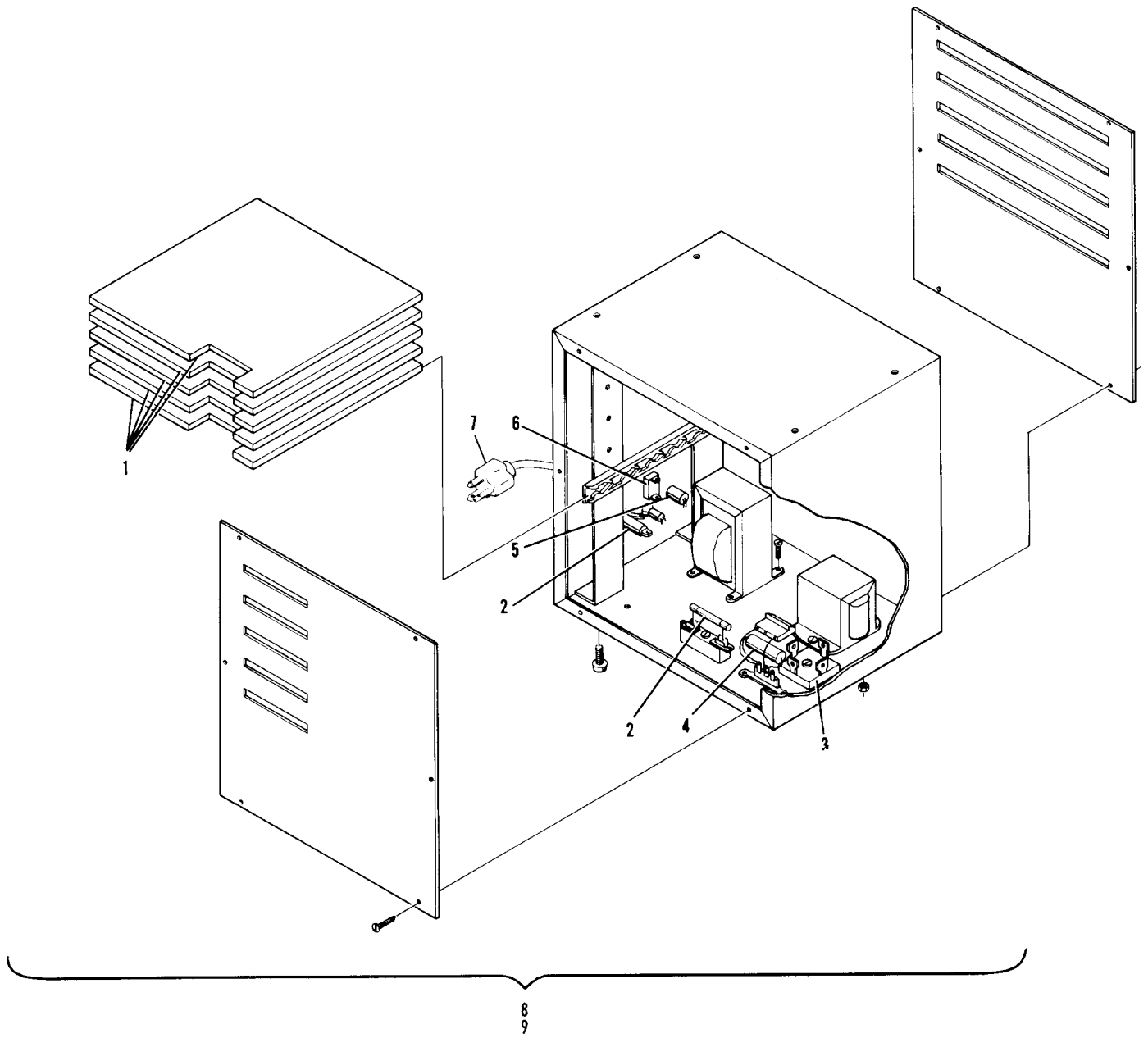
No.	Part No.	Description
1.	N.A.	PCB Assembly - Complete (Brunswick Repair/Exchange)
2.	11-685021-000	Fuse (2.0 Amp)
3.	N.A.	Bridge Rectifier
4.	11-696119-000	Capacitor
5.	N.A.	Light
6.	11-615476-000	Switch
7.	17-600752-000	Power Cord Assembly
8.	57-860231-000	AMF Interface Assembly - Complete (16 Lanes) (Brunswick Repair/Exchange)
9.	57-860314-000	AMF Interface Assembly - Complete (32 Lanes) (Brunswick Repair/Exchange)

N.A. = No Longer Available

Associated Interconnecting Cables

57-214910-000	Pinsetter Control Cable Assembly (to Source Command APC)
57-214913-000	AMF Pinspotter Control Cable Assembly (to AMF Switch Box)
57-214912-000	AS-80 Console Control Cable Assembly (One to each Console)

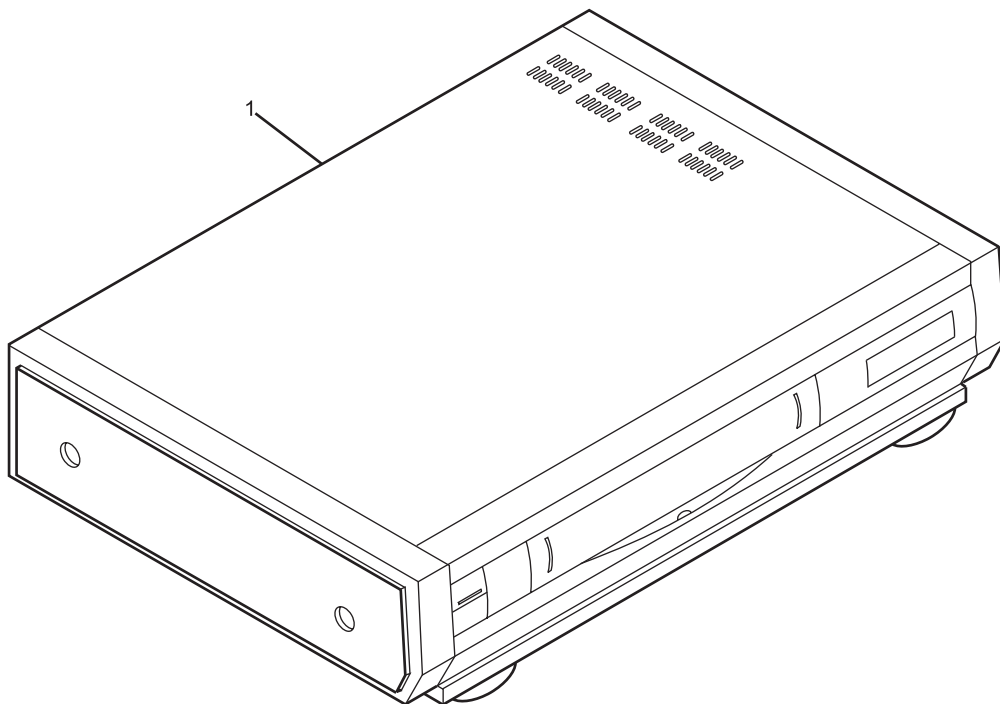
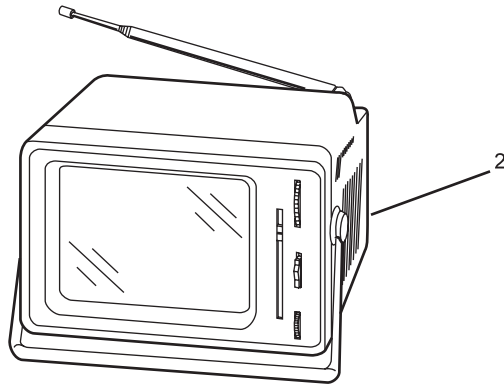
AMF Interface (for Source Command)



AMF Interface (for Source Command)

Index No.	Part No.	Description
1.	57-860174-000	Manager's VCR (Brunswick Repair/Exchange)
2.	57-860173-000	Audiovox 6" Color TV/Monitor (Model AVT-600) (Brunswick Repair/Exchange)

Manager's Video Cassette Recorder and TV/Monitor



Manager's Video Cassette Recorder and TV/Monitor

Index

No.	Part No.	Description
1.	*68-860006-4xx	BowlerVision MCD Computer (Brunswick Repair/Exchange)
2.	*68-860076-4xx	BowlerVision MCD Computer (BNC Version) (Brunswick Repair/Exchange)
3.	68-100143-000	Line Cord
4.	11-685028-000	Fuse (1.8 Amp)
5.	N.A.	Bumper Pad
6.	68-860024-000	Hayes Modem

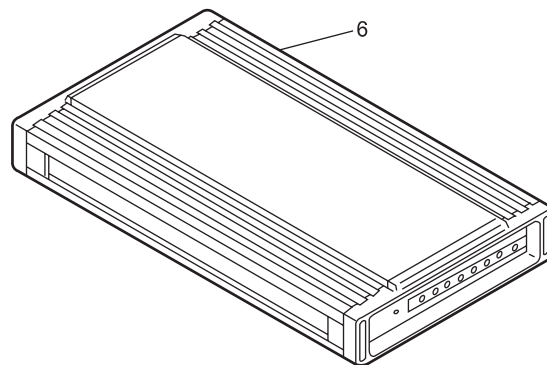
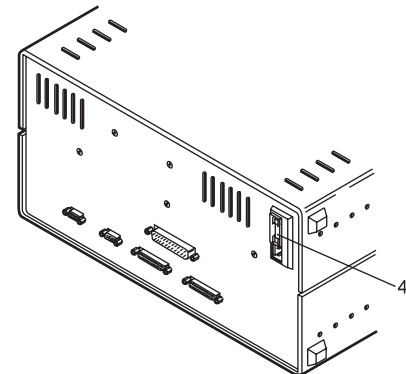
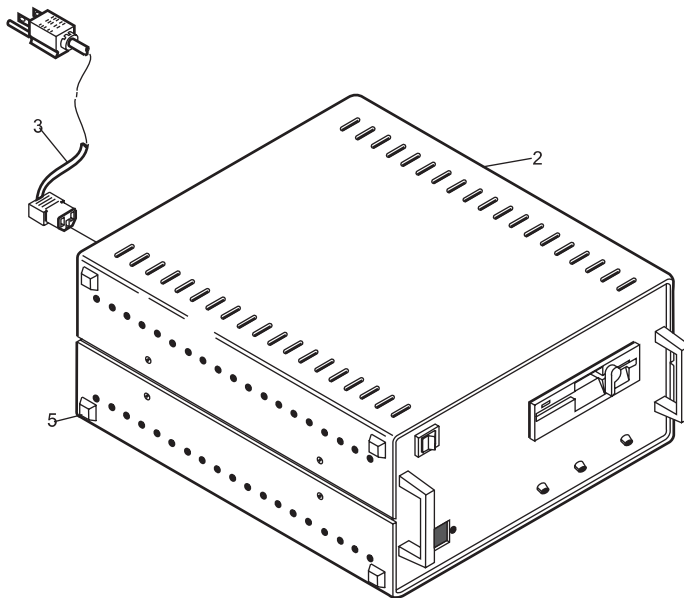
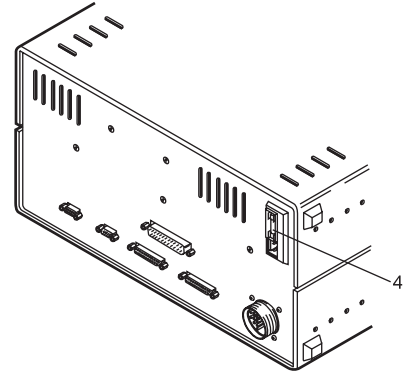
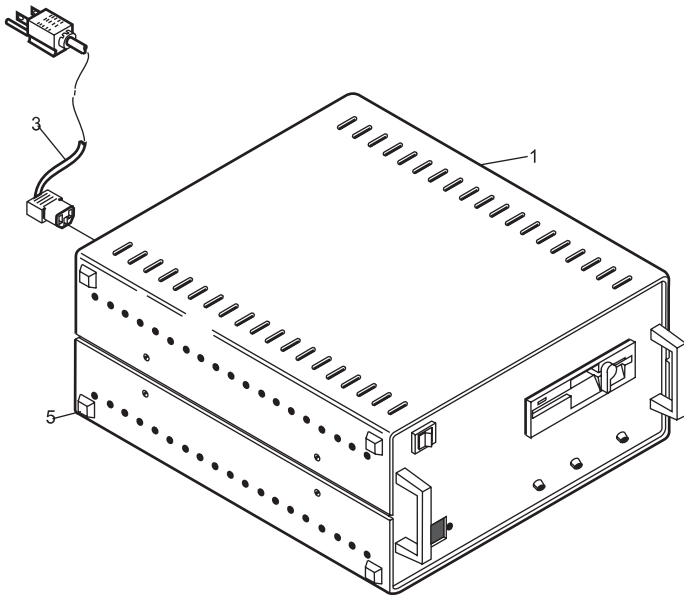
N.A. = No Longer Available

* You must contact Brunswick Customer Service to determine the correct software for your center. Call 1-800-YES-Bowl (1-800-937-2695).

Associated Interconnecting Cables

68-100210-000	Modem Ribbon Cable Assembly
68-100282-000	Master Comline Cable Assembly (Field Assembled)
68-100215-000	Local Comline "Y" Cable Assembly
68-100322-000	Local Comline Cable Assembly (1')
68-100211-000	Local Comline Cable Assembly (3')
68-100327-000	Local Comline Cable Assembly (15')
68-100325-000	RJ11 Adapter (to Wyse Computer)
27-619042-000	LRS Interface 4-Conductor Bulk Cable (Field Assembled)

BowlerVision MCD Computer and Modem



BowlerVision MCD Computer and Modem

Index

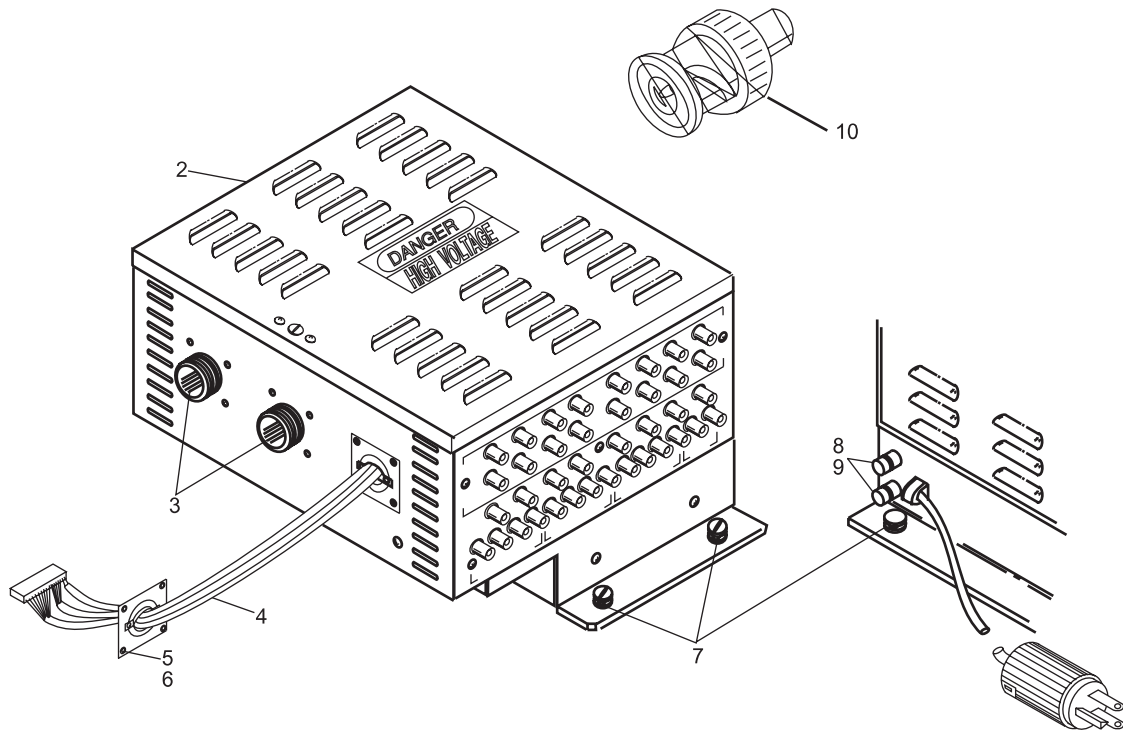
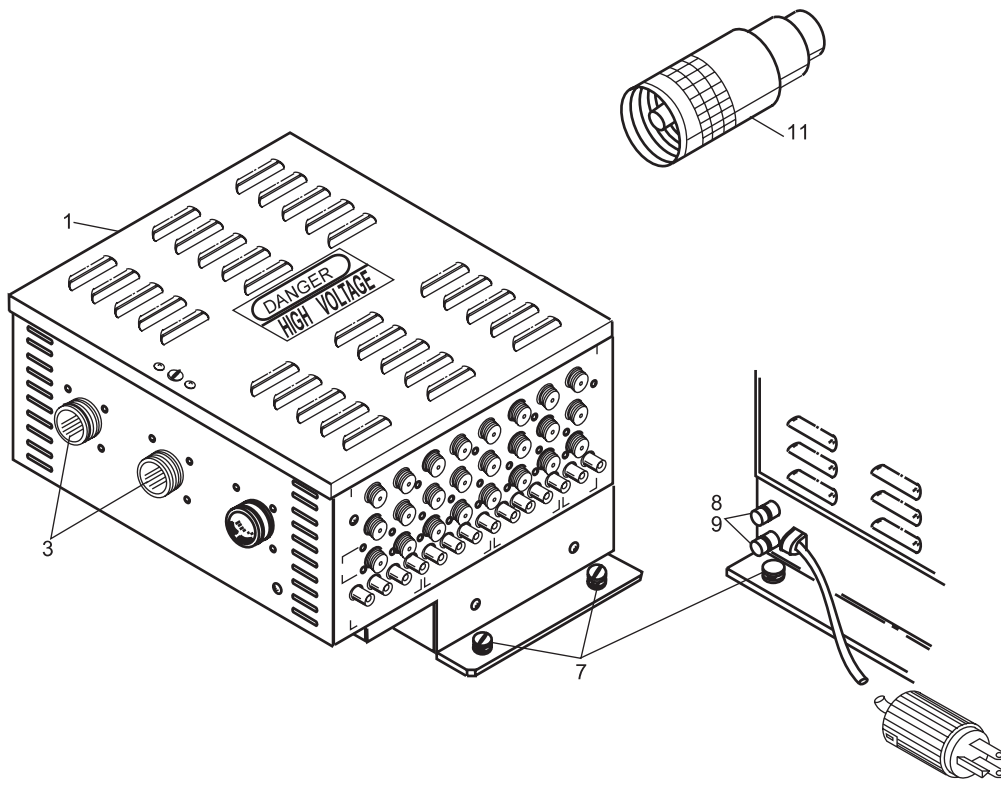
No.	Part No.	Description
1.	68-100400-000	Video Switcher (UHF - 115 VAC) (Brunswick Repair/Exchange)
2.	68-860072-000	Video Switcher (BNC - 115 VAC, 3 Monitor) (Brunswick Repair/Exchange)
3.	N.A.	Terminal
4.	68-100494-000	Cable Assembly
5.	11-176005-001	Keps Nut (#6-20)
6.	11-012274-001	Screw (#6-32 x 1/2")
7.	11-601800-000	Quick Lock Stud
8.	11-685126-000	Fuse Holder
9.	11-684011-000	Fuse
10.	11-696268-000	75 ohm Terminator (BNC style)
11.	11-696267-000	75 ohm Terminator (UHF style)

N.A. = No Longer Available

Associated Interconnecting Cables

68-100494-020	Fourth Monitor Video Cable Assembly
68-100503-000	Score Correct Cable Assembly (Field Assembled)
68-100503-000	Global Video Cable Assembly (Field Assembled)
68-100287-000	Global Audio Cable Assembly (to first Lane Pair Video Switcher) (Field Assembled)
68-100311-000	Audio "Out" Cable Assembly (Field Assembled)

Manager's Control Desk Video Switcher



Manager's Control Desk Video Switcher

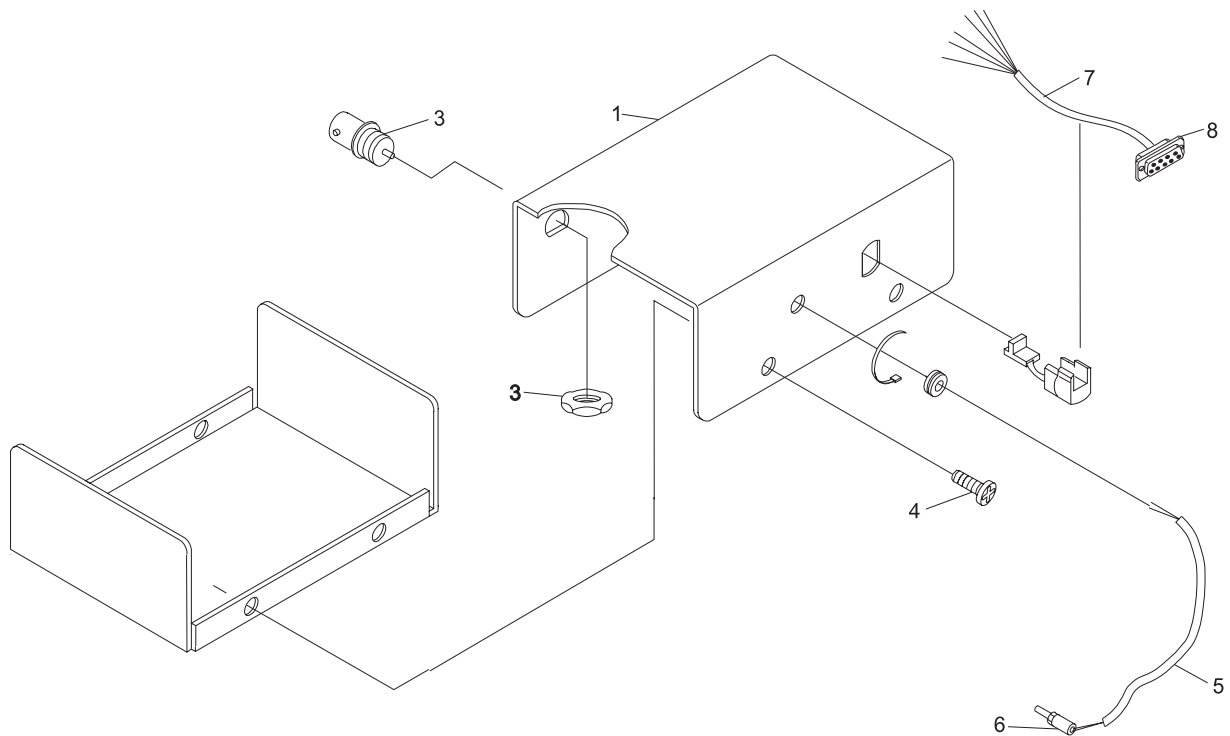
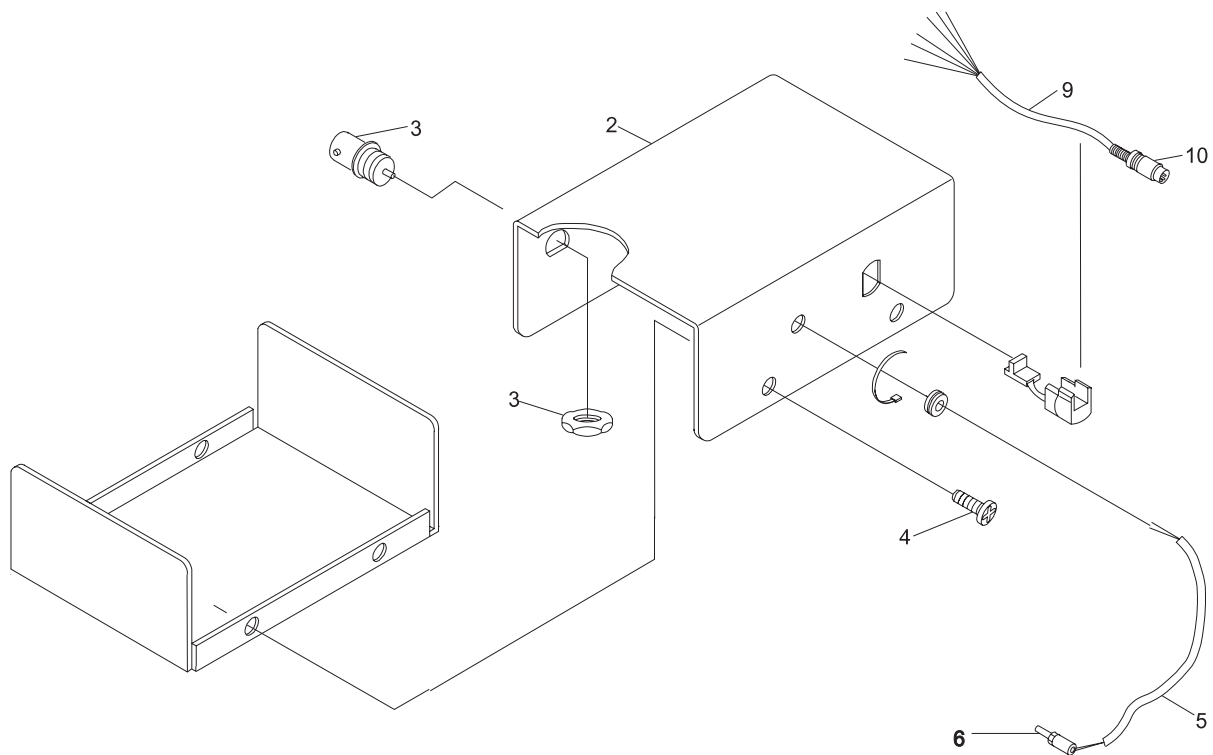
Index No.	Part No.	Description
1.	68-860109-000	BNC To "D" Type Adapter Assembly (Brunswick Repair/Exchange)
2.	68-860037-000	BNC To Din Adapter Assembly (Brunswick Repair/Exchange)
3.	N.A.	BNC Bulkhead Connector
4.	11-012270-001	Screw (#6-32 x 1/4")
5.	68-100372-000	Audio Cable Assembly
6.	11-681300-000	RCA Male Connector
7.	68-100578-000	"D" Type Cable Assembly
8.	11-680985-000	"D" Type Connector
9.	68-100371-000	Din Cable Assembly
10.	N.A.	Din Connector

N.A. = No Longer Available

Associated Interconnecting Cables

68-100503-000	Monitor Video Cable Assembly (Field Assembled)
---------------	--

BNC to MCD Monitor Adapter



BNC to MCD Monitor Adapter

Index No.	Part No.	Description
1.	68-100605-000	Playpad Keypad Assembly (English) (Brunswick Repair/Exchange)
	68-100562-000	Playpad Keypad Assembly (Japanese)
2.	N.A.	LED PCB Assembly (Brunswick Repair/Exchange)
3.	*68-100026-400	Control 1 PCB Assembly (English) (Brunswick Repair/Exchange)
	*68-100558-401	Control 1 PCB Assembly (Japanese)
4.	N.A.	Control 2 PCB Assembly (Brunswick Repair/Exchange)
5.	11-185317-000	Spacer
6.	11-198001-001	External Tooth Lockwasher
7.	68-100224-000	Cable Assembly
8.	11-697233-000	Connector
9.	11-680326-000	Terminal
10.	68-100227-000	Cable Assembly
11.	11-697613-000	Connector
12.	11-017041-001	Round Hd. C. R. Screw (#6-32 x 3/8")
13.	11-185318-000	Spacer
14.	68-100225-000	Cable Assembly
15.	11-697239-000	Connector
16.	68-100248-000	Ribbon Cable Assembly
17.	68-100478-000	Service Light Cable Assembly
18.	11-680116-000	Connector
19.	11-680302-000	Terminal
20.	68-100226-000	Cable Assembly
21.	11-697242-000	Connector
22.	68-100367-000	Cable Assembly
23.	11-697205-000	Connector
24.	11-680322-000	Terminal
25.	11-680107-000	Connector
26.	N.A.	Playpad Backing Plate
27.	N.A.	Upper Keyboard Membrane Overlay (English)
	N.A.	Upper Keyboard Membrane Overlay (Japanese)
28.	N.A.	Lower Keyboard Membrane Overlay (English)
	N.A.	Lower Keyboard Membrane Overlay (Japanese)
29.	N.A.	Upper Keyswitch Array
30.	N.A.	Lower Keyswitch Array (English)
	N.A.	Lower Keyswitch Array (Japanese)
31.	11-192009-000	Nylon Washer (.156 I.D. x .31 O.D.)
32.	68-860004-000	Power Supply Assembly (12 Volt - 3.4 Amp) (Brunswick Repair/Exchange)
33.	11-685127-000	Fuse Holder
34.	11-684018-000	Fuse (125 Volt - 1/2 Amp)
35.	N.A.	Bumper Pad
36.	68-100143-000	Line Cord
37.	11-685126-000	Fuse Holder
38.	11-685012-000	Fuse (1/2 Amp)
39.	11-176005-001	Keps Nut (#6-32)
40.	N.A.	Frame Assembly
41.	N.A.	Washer Nylon
42.	68-860114-400	Manager's Playpad Assembly (External Power Supply)
43.	68-860106-400	Manager's Playpad Assembly (Internal Power Supply)

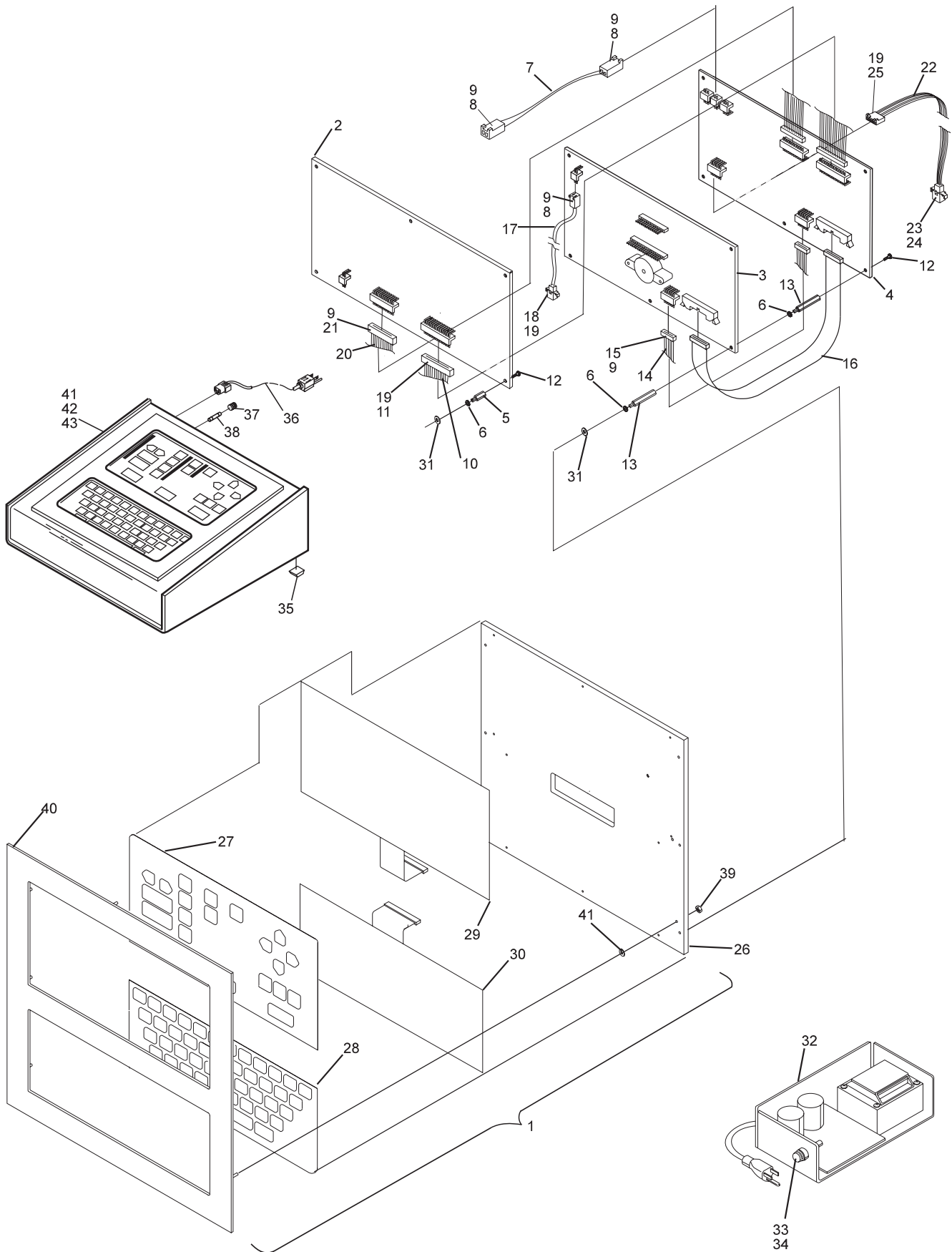
N.A. = No Longer Available

* You must contact Brunswick Customer Service to determine the correct software for your center. Call 1-800-YES-BOWL (1-800-937-2695)

Associated Interconnecting Cables

68-100209-000	Local Comline Terminator
68-100322-000	Local Comline Cable Assembly (1')
68-100211-000	Local Comline Cable Assembly (3')
68-100327-000	Local Comline Cable Assembly (15')

MCD Playpad



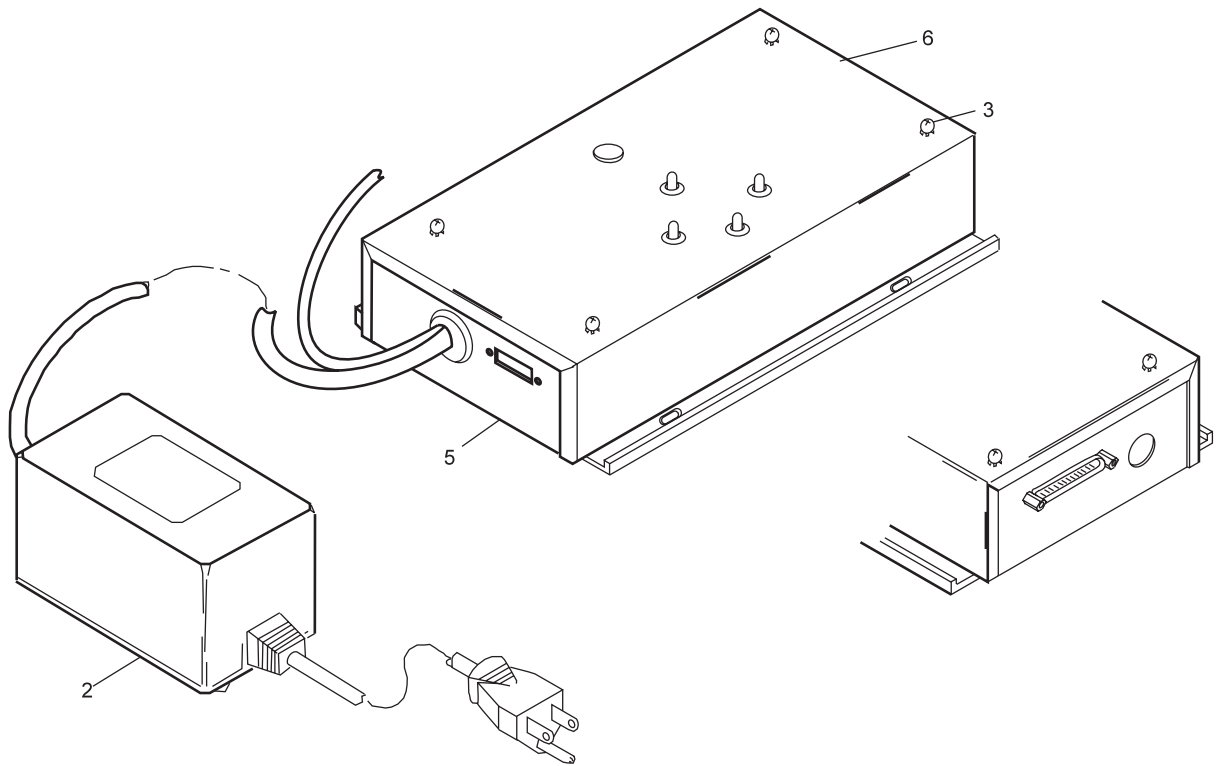
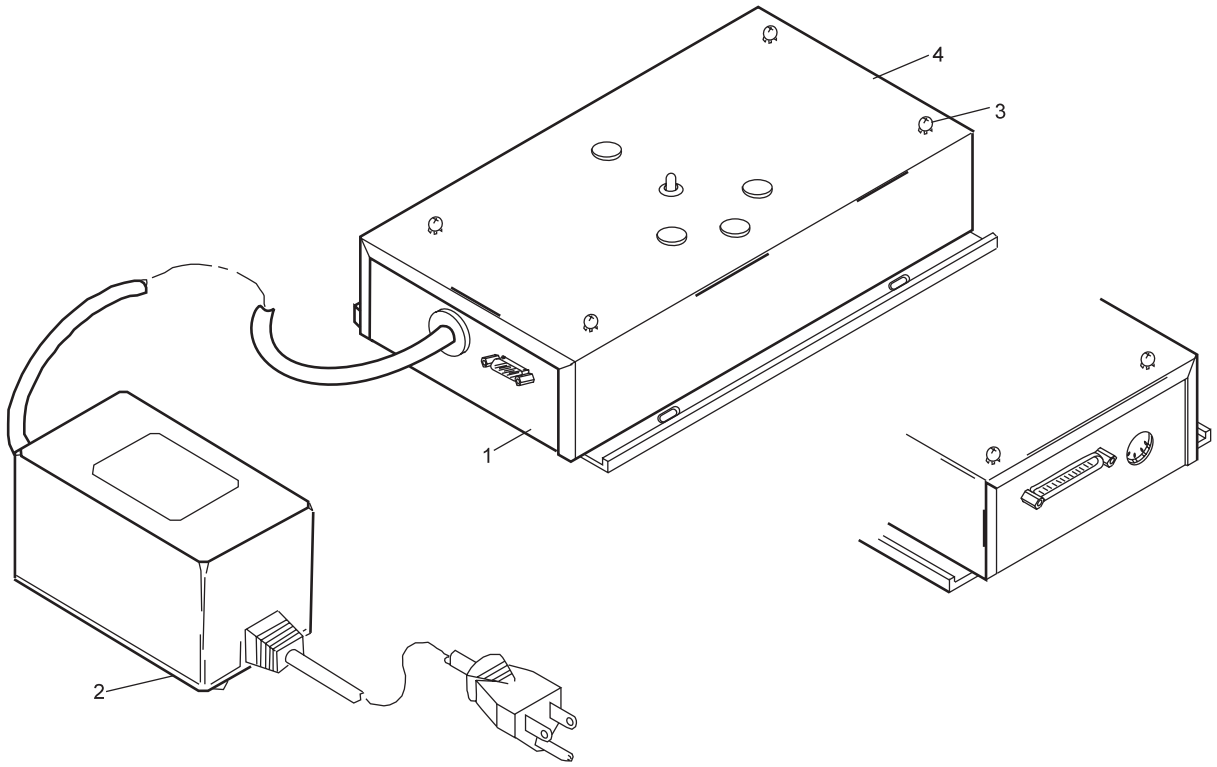
MCD Playpad

Index No.	Part No.	Description
1.	68-860017-402	Local Comline Adapter (Brunswick Repair/Exchange)
2.	68-100083-000	External Power Supply
3.	11-017041-001	Rd. Hd. C. R. Screw w/ Lockwasher (#6-32 x 3/8")
4.	N.A.	Cover
5.	68-860016-400	DTS Interface (Brunswick Repair/Exchange)
6.	N.A.	Cover

Associated Interconnecting Cables

68-100297-000	Laser Disk Player to RS232 Comline Cable Assembly
68-100322-000	Local Comline Cable Assembly (1')
68-100211-000	Local Comline Cable Assembly (3')
68-100327-000	Local Comline Cable Assembly (15')
68-100334-000	Printer to RS232 Comline Cable Assembly
27-619042-000	Cash Interface Cable Assembly (Field Assembled)
68-100325-000	RJ11 Adapter
68-100333-000	DTS to RS232 Comline Cable Assembly

BowlerVision Local Comline Adapter (RS232) and DTS Interface



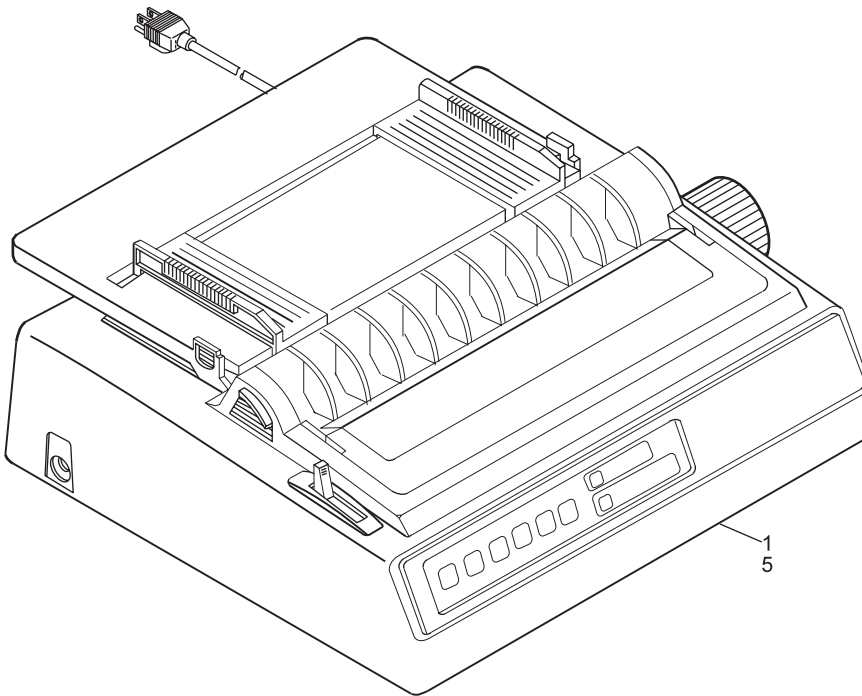
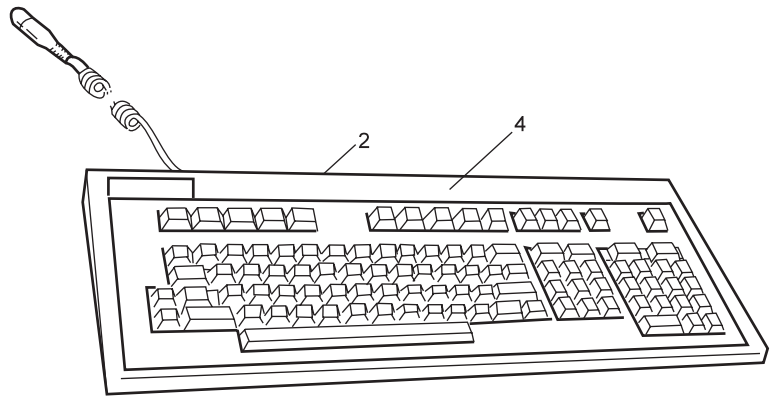
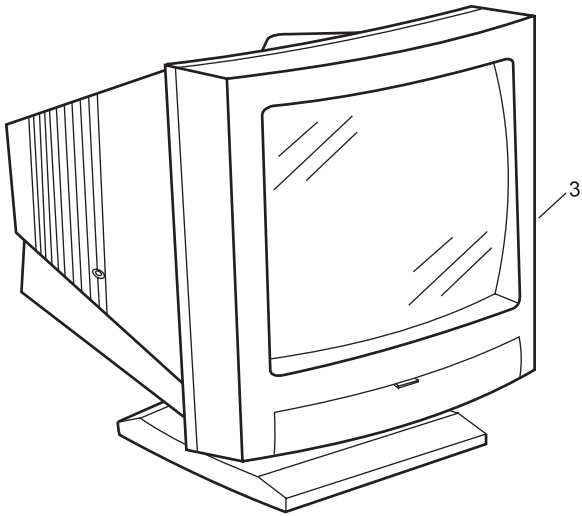
**BowlerVision Local Comline Adapter (RS232)
and DTS Interface**

Index

No.	Part No.	Description
1.	68-860009-010	Bowlervision Printer (Brunswick Repair/Exchange)
2.	68-860011-000	BowlerVision Keyboard (Brunswick Repair/Exchange)
3.	57-860273-000	BowlerVision Monitor (Brunswick Repair/Exchange)
4.	68-100285-000	MCD Keyboard Label
5.	57-860612-000	Ribbon

Associated Interconnecting Cables

68-100334-000	Printer to RS232 Comline Cable Assembly
---------------	---



Bowlvision Printer, Keyboard, and Monitor

Index No.	Part No.	Description
1.	57-860366-000	Control Desk Cash Drawer (with Keys)
2.	57-860564-000	Cash Drawer Insert
3.	57-860368-000	Control Desk Terminal
4.	57-860367-000	Control Desk Keyboard
5.	N.A.	Mylar Strip
6.	57-860367-040	Lane Off
7.	57-860367-041	Lane On
8.	57-860367-042	Rate
9.	57-860367-043	Prepaid
10.	57-860367-064	Payment Type
11.	N.A.	Shoes
12.	57-860367-037	Rate B
13.	57-860367-038	Senior Rate
14.	57-860367-039	Junior Rate
15.	57-860367-058	Rate C
16.	57-860367-059	Rate D
17.	57-860367-060	League
18.	57-860367-096	Thru
19.	57-860367-103	Reset
20.	57-860367-104	Plu
21.	57-860367-105	Cash
22.	57-860367-093	Void
23.	57-860367-076	Tax Xcpt
24.	57-860367-077	Adjust
25.	57-860367-078	Trouble Call
26.	57-860367-055	Tourn
27.	57-860367-056	Pract
28.	57-860367-023	Master Reset
29.	57-860367-024	Shift Report
30.	57-860367-025	Emerg Off
31.	57-860367-026	Paid Out
32.	57-860367-027	Lane Term
33.	57-860367-028	Concourse
34.	57-860367-029	Debts !
35.	57-860367-030	Table "
36.	57-860367-031	Xfer #
37.	57-860367-032	Hold \$
38.	57-860367-033	Sheet %
39.	57-860367-034	Show -
40.	57-860367-035	Games +
41.	57-860377-000	Control Desk Receipt Printer Package (with Convertor Box)
42.	57-860377-001	Control Desk Receipt Printer
43.	57-860377-002	Receipt Printer Convertor Box
44.	57-860377-003	Power Supply
45.	57-860412-000	Roll of Paper
46.	57-860757-000	Receipt printer Ribbon

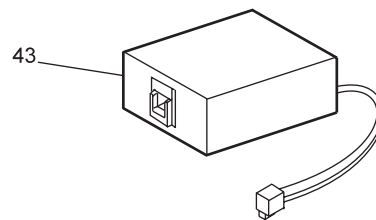
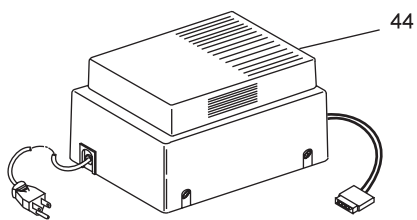
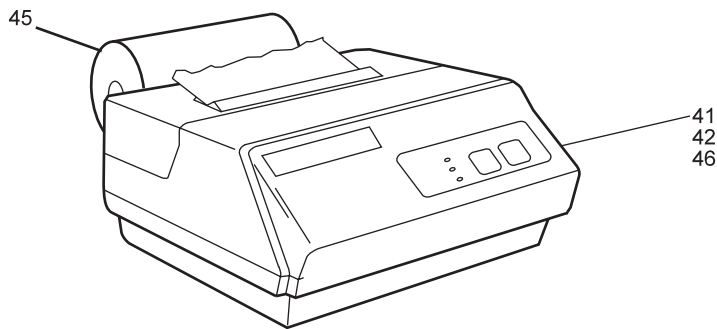
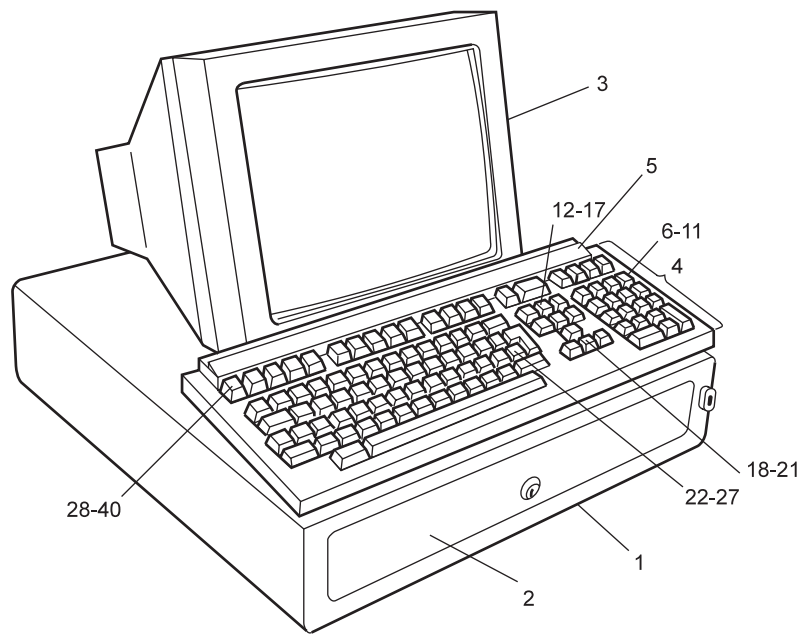
N.A. = No Longer Available

Associated Interconnecting Cables

57-215284-000	Data Cable to Wyse Computer
N.A.	Data Cable (Monitor to Receipt Printer)
N.A.	Control Desk Terminal to Receipt Printer Convertor Box

Command Network

Control Desk Cash Drawer, Terminal, and Keyboard and Control Desk Receipt Printer with Convertor Box



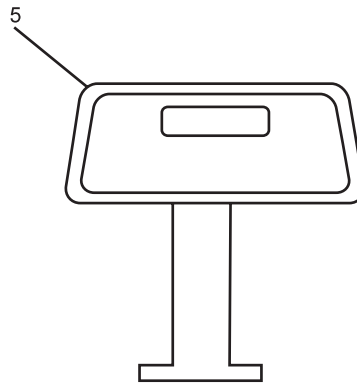
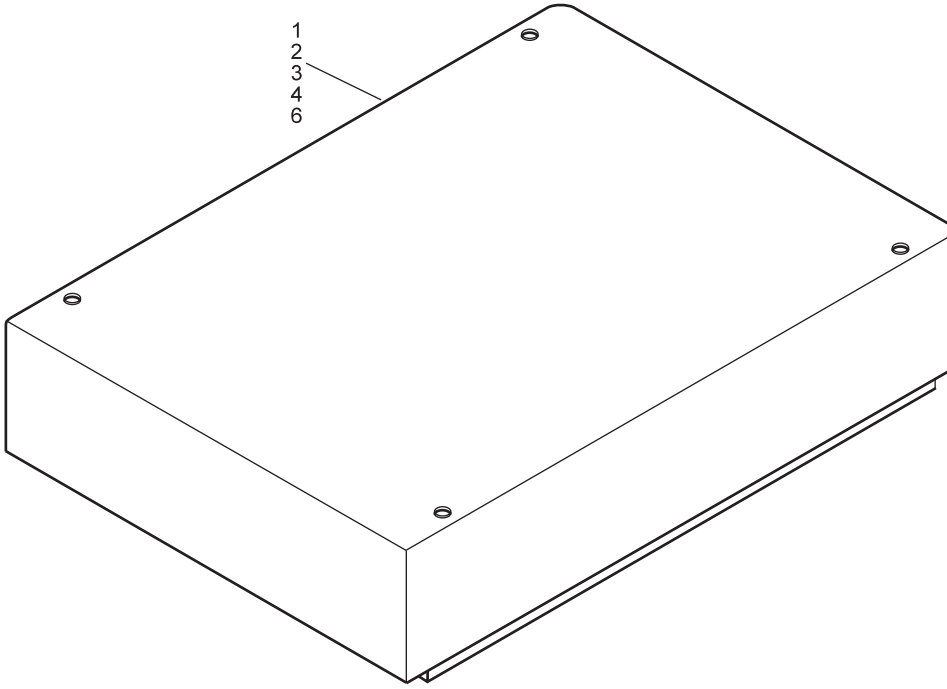
**Command Network
Control Desk Cash Drawer, Terminal, and Keyboard
and Control Desk Receipt Printer with Convertor Box**

Index No.	Part No.	Description
1.	57-860370-032	Lane Interface Unit (Up to 32 Lanes) (Brunswick Repair/Exchange)
2.	57-860370-064	Lane Interface Unit (Up to 64 Lanes) (Brunswick Repair/Exchange)
3.	57-860370-096	Lane Interface Unit (Up to 96 Lanes) (Brunswick Repair/Exchange)
4.	57-860370-128	Lane Interface Unit (Up to 128 Lanes) (Brunswick Repair/Exchange)
5.	57-860393-000	Control Desk Customer Display
6.	57-860826-000	LIU Frame Meter Connection

Associated Interconnecting Cables

57-215284-000	Comline to Wyse Computer Cable Assembly
57-215288-000	6-Conductor Cable to A/P Switch Box

Lane Interface Unit and Customer Display



Lane Interface Unit and Customer Display

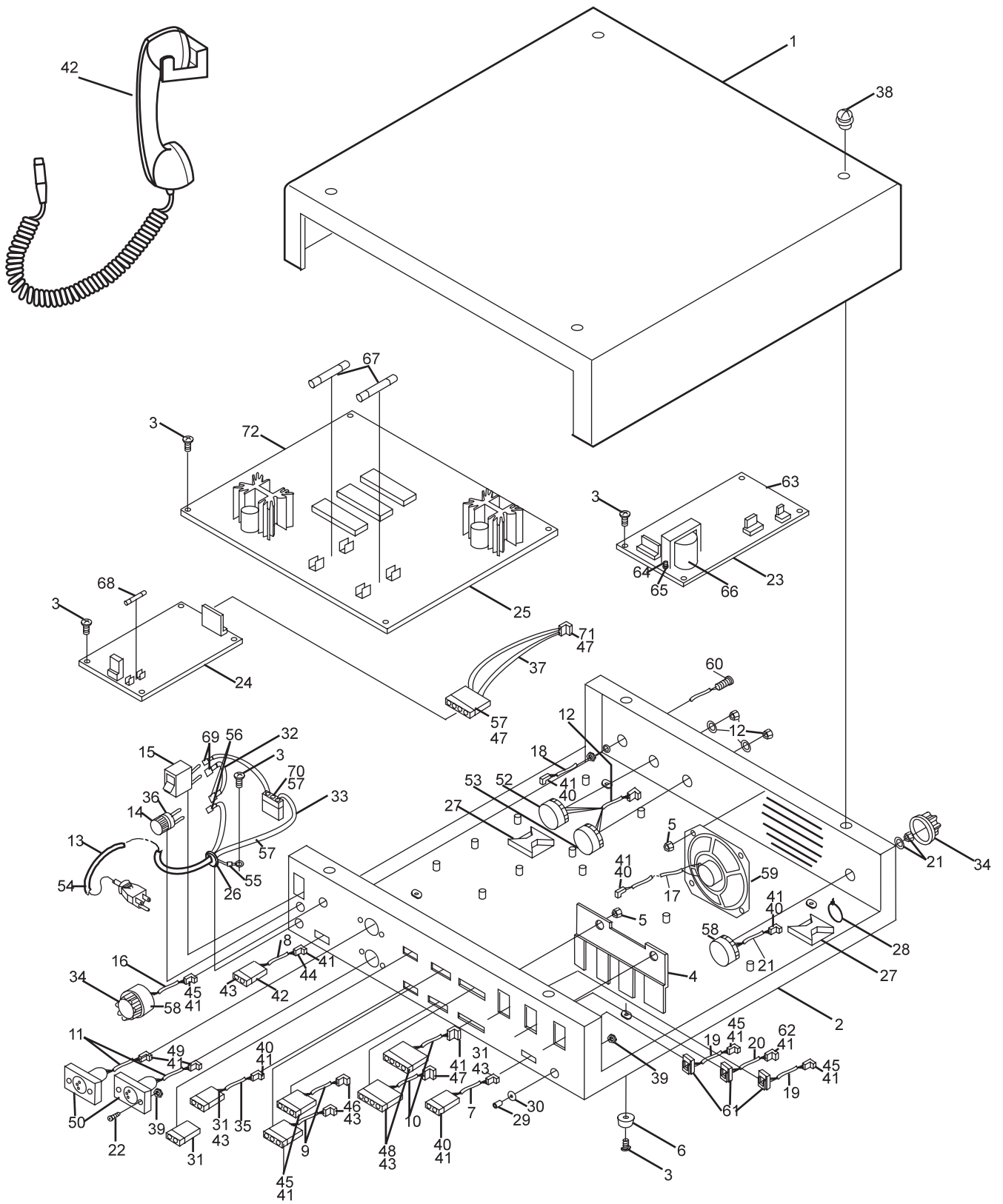
Index No.	Part No.	Description	Index No.	Part No.	Description
1.	N.A.	Cover	39.	11-124000-001	Hex Nut (#4-40)
2.	N.A.	Base	40.	11-697233-000	Connector
3.	11-012274-001	Screw (#6-32 x 1/2")	41.	11-680326-000	Terminal
4.	N.A.	Phone Jack Bracket	42.	57-860320-000	Handset with Adapter Cables and Hardware (Brunswick Repair/Exchange)
5.	11-176009-001	Keps Nut (#4-40)			
6.	57-214708-000	Bumper Pad			
7.	57-215198-000	Cable Assembly			
8.	N.A.	Cable Assembly	43.	11-697186-000	Terminal
9.	57-215197-000	Cable Assembly	44.	N.A.	Connector
10.	57-215196-000	Cable Assembly	45.	11-697237-000	Connector
11.	57-215203-000	Cable Assembly	46.	N.A.	Connector
12.	57-214707-000	Cable Assembly	47.	11-697238-000	Connector
13.	N.A.	Line Cord	48.	N.A.	Connector
14.	11-685126-000	Fuse Holder	49.	11-697234-000	Connector
15.	N.A.	Switch Assembly	50.	11-697248-000	XLR Connector
16.	N.A.	Cable Assembly	51.	11-697232-000	Connector
17.	N.A.	Cable Assembly	52.	11-693512-000	Potentiometer (1K Ohm)
18.	N.A.	Cable Assembly	53.	11-693513-000	Potentiometer (10K Ohm)
19.	N.A.	Cable Assembly			
20.	N.A.	Cable Assembly	54.	17-600870-000	Line Cord
21.	N.A.	Cable Assembly	55.	11-612011-000	Ring Terminal
22.	11-014002-001	Flat Hd. C. R. Screw (#4-40 x 7/16")	56.	11-612152-000	Insulated Receptacle
23.	57-860289-000	PC Board Assembly (Brunswick Repair/Exchange)	57.	11-680322-000	Terminal
24.	57-215193-000	Power Supply Assembly (Brunswick Repair/Exchange)	58.	11-693521-000	Potentiometer
25.	57-860630-000	SIU PCB Assembly	59.	11-690500-000	Speaker
26.	11-611009-000	Strain Relief Bushing	60.	N.A.	LED Light
27.	11-697051-000	Mounting Clamp	61.	N.A.	Phone Jack Assembly
28.	11-603108-000	Cable Tie	62.	11-697216-000	Connector
29.	11-681301-000	Female Phone Jack	63.	N.A.	PC Board
30.	11-192015-000	Nylon Washer	64.	11-012273-001	Screw (#6-32 x 7/16")
31.	11-696710-000	Connector	65.	11-176005-001	Keps Nut (#6)
32.	N.A.	Cable Assembly	66.	11-697107-000	Transformer
33.	N.A.	Cable Assembly	67.	11-685012-000	Fuse (0.5 Amp)
34.	11-615478-000	Knob	68.	11-685052-000	Fast-Blo Fuse (2 Amp)
35.	N.A.	Wire Assembly	69.	11-612151-000	Insulated Receptacle
36.	11-685017-000	Fuse (3.0 Amp)	70.	11-697201-000	Connector
37.	N.A.	Cable Assembly	71.	11-680321-000	Terminal
38.	11-012022-001	Screw w/Int. Lockwasher (#6-32 x 3/8")	72.	N.A.	SIU Board (Brunswick Repair/Exchange)

N.A. = No Longer Available

Associated Interconnecting Cables

N.A.	Intercom Out to Scorer Console Cable Assembly
N.A.	Comline to Scorer Console Cable Assembly
N.A.	Audio Out to Scorer Console Cable Assembly
N.A.	Overhead Comline Out to End Overhead Cable Assembly
57-215284-000	PC/SIU Overhead to Wyse Computer Cable Assembly
57-215284-000	PC/SIU Comm A to Wyse Computer Cable Assembly
57-215284-000	PC/SIU Comm B to Wyse Computer Cable Assembly
N.A.	Audio In from VCR Cable Assembly

Scorer Interface Unit



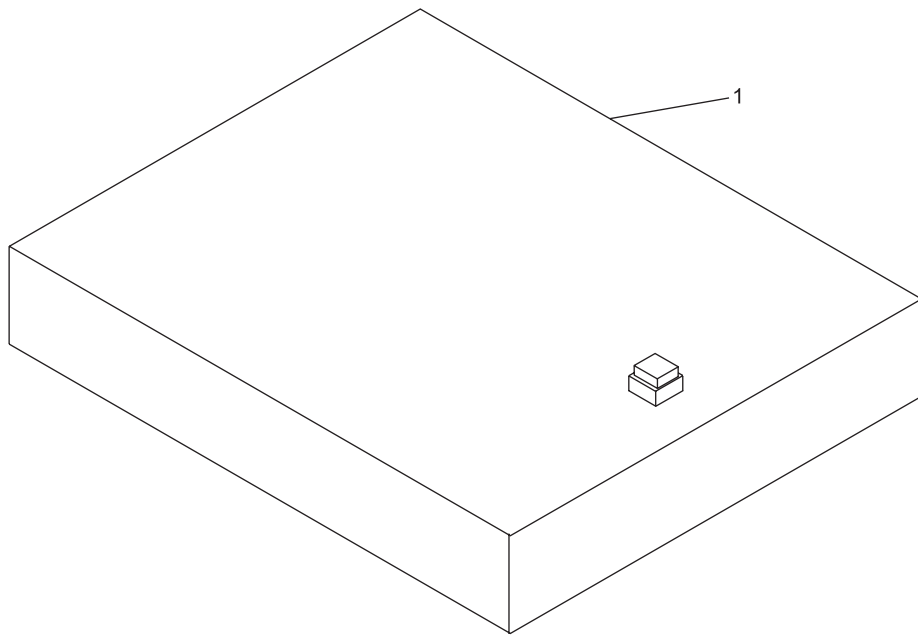
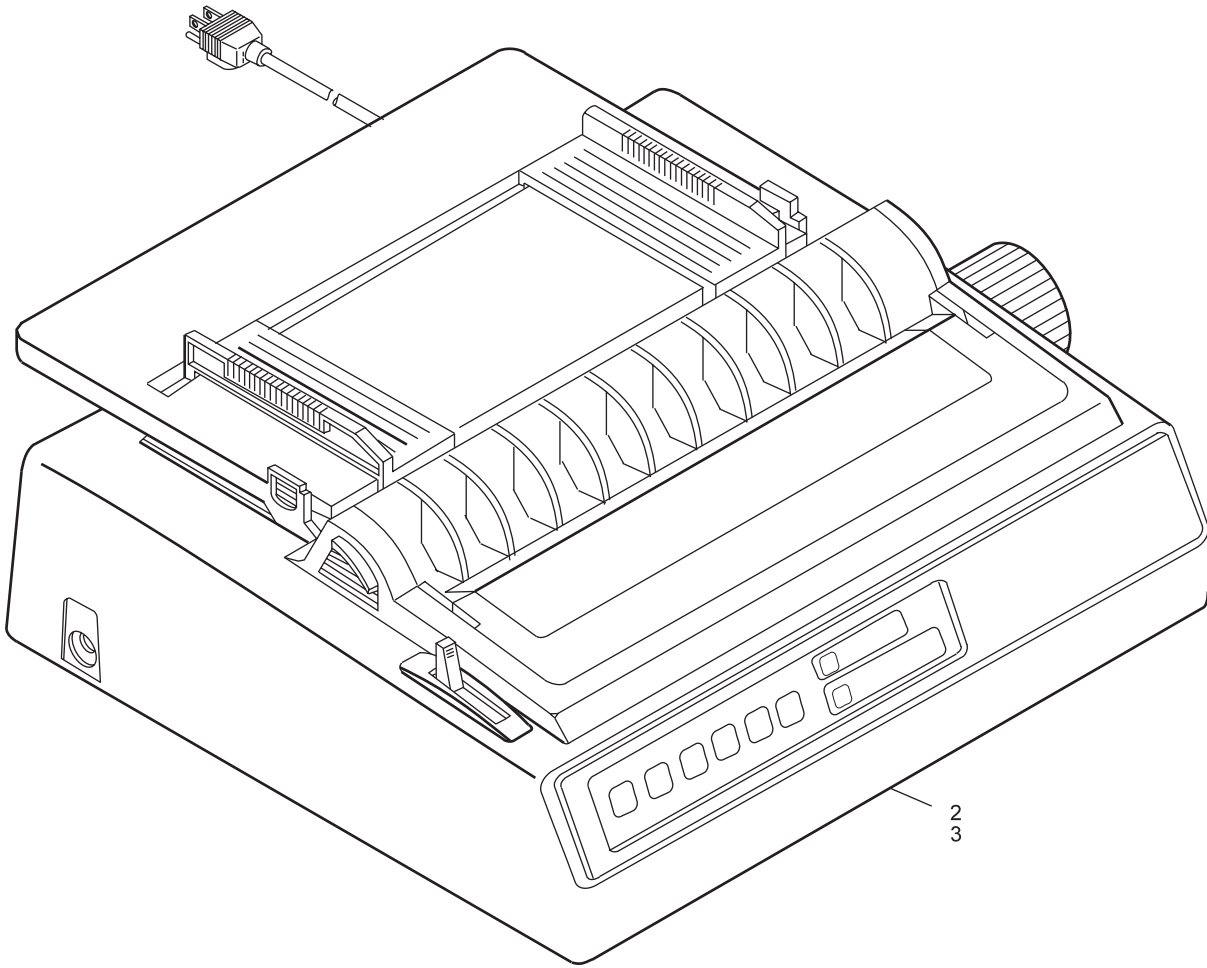
Scorer Interface Unit

Index No.	Part No.	Description
1.	57-860394-000	Bowler Express Trouble Call Signal Unit
2.	57-860619-000	Scoresheet Printer (Okidata 320) (Brunswick Repair/Exchange)
3.	57-860612-000	Ribbon

Associated Interconnecting Cables

57-215284-000	Data from Wyse Computer Cable Assembly
---------------	--

Bowler Express Trouble Call Signal Unit and Scoresheet Printer



**Bowler Express Trouble Call Signal Unit
and Scoresheet Printer**

Section F

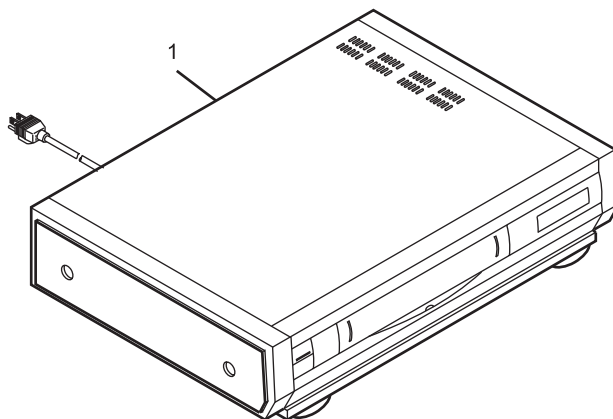
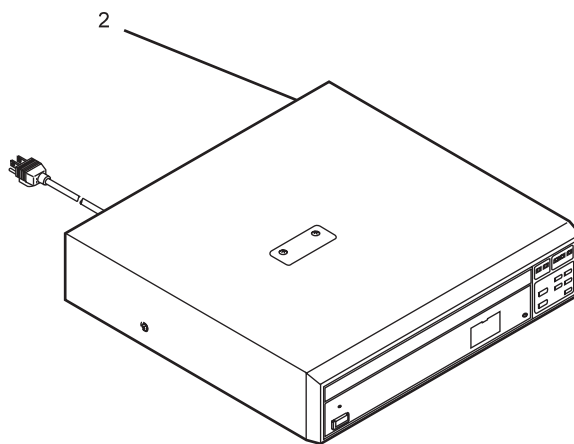
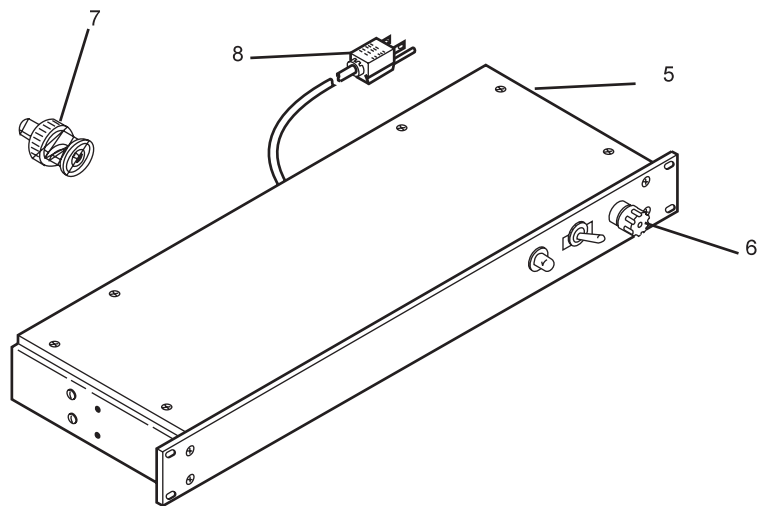
OFFICE

Index No.	Part No.	Description
1.	57-860174-000	Manager's VCR (Brunswick Repair/Exchange)
2.	68-860012-000	Laser Disk Player (Brunswick Repair/Exchange)
3.	*68-860058-000	Laser Disk #3
4.	*68-860057-000	Laser Disk #4
5.	68-860015-000	Video Distribution Amplifier (Brunswick Repair/Exchange)
6.	68-100483-045	Fast-Blo Fuse (0.25 Amp)
7.	11-696268-000	75 Ohm BNC Terminator
8.	68-100143-000	Power Cord Assembly

* Not Illustrated

Associated Interconnecting Cables

68-100297-000	Laser Disk Player to RS232 Comline Box Cable Assembly
68-100504-000	Video Cable Assembly (from Video Amp)
68-100503-000	Video Cable Assembly

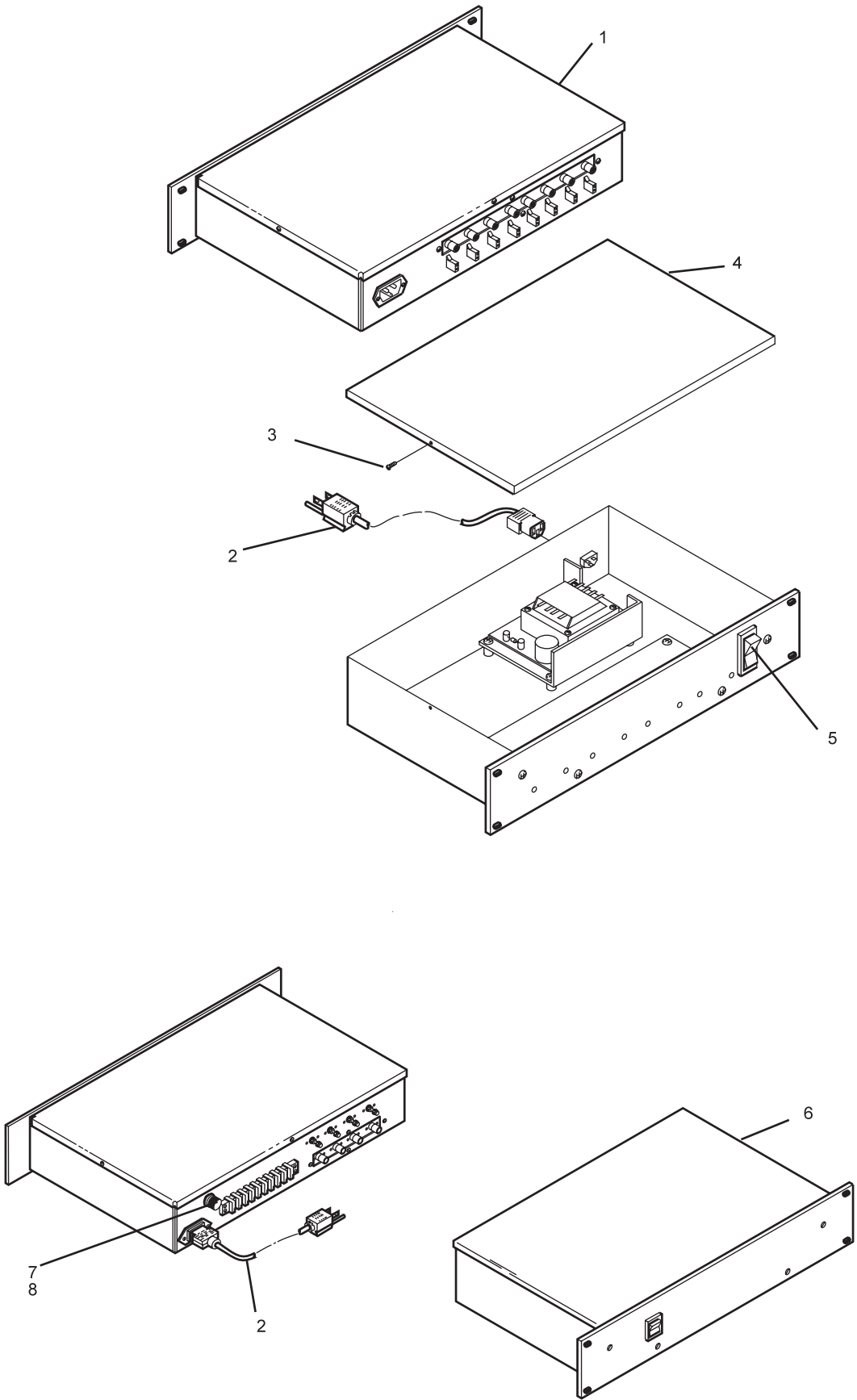


BowlerVision Equipment

Index No.	Part No.	Description
1.	68-860091-000	Audio Line Driver Assembly (1988 - 1990) (Brunswick Repair/Exchange)
2.	68-100143-000	Line Cord
3.	11-012274-001	Screw (#6-32 x 1/2")
4.	68-100540-000	Cover
5.	11-615028-000	Fused Switch
6.	68-860014-000	Audio Line Driver Assembly (1990 - Present) (Brunswick Repair/Exchange)
7.	11-685012-000	Quick-Blo Fuse (.5 Amp)
8.	11-685126-000	Fuse Holder

Associated Interconnecting Cables

68-100311-000	Audio "Out" Cable Assembly
68-100504-000	Audio Cable Assembly (from Video Device)



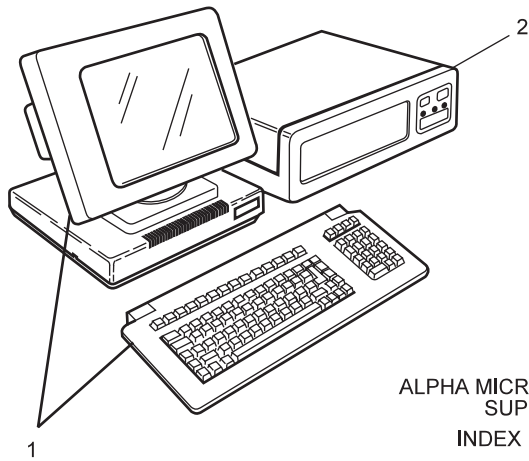
BowlerVision Audio Line Drivers

Index No.	Part Number	Description
1.	N.A.	AM 65 Terminal w/Keyboard
2.	N.A.	Alpha Micro 1200 CPU 8 Port Serial Expansion
3.	N.A.	T.I. 880 Printer
4.	67-860213-000	Printer Stand
5.	67-100030-000	Video Tape
6.	67-860250-000	Recap Forms (3 Part)
7.	67-860251-000	Paper
8.	67-100032-000	Ribbon
9.	67-860253-000	League Information Sheets
10.	57-860363-000	Wyse Monochrome Monitor
11.	N.A.	Wyse 3216 CPU w/Keyboard
	57-860388-000	8 Port Serial Expansion
12.	57-860413-000	Hayes Modem
13.	N.A.	Okidata Printer (replaces Panasonic Printer)
14.	57-860420-000	Printer Stand
15.	67-860049-000	Bowler Information
16.	61-860011-000	Team Registration
17.	57-860423-000	Ribbon
18.	57-860425-000	Tape Holder
19.	57-860424-000	Back-Up Tapes
20.	67-860055-000	5-1/4" Diskettes
21.	57-860422-000	Recap Forms (4 Part)
22.	57-860422-001	Recap Forms (3 Part)
23.	57-860422-002	Recap Forms (5 Part)
24.	*57-860588-000	500VA Uninterruptible Power Supply MM500/CP1 (115 VAC 60 Hertz)
25.	*57-860589-000	500VA Uninterruptible Power Supply MM500/CP2 (230 VAC 50 Hertz)

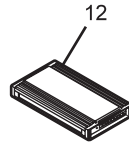
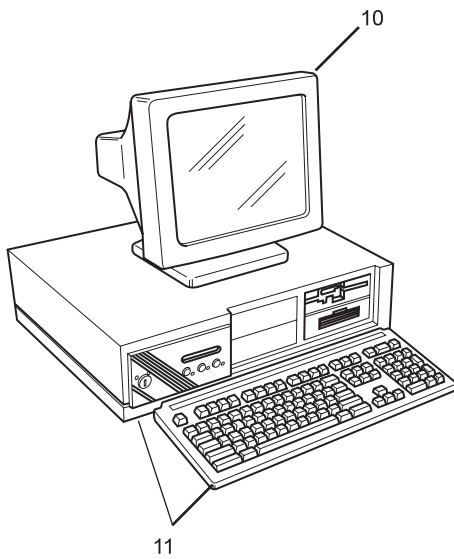
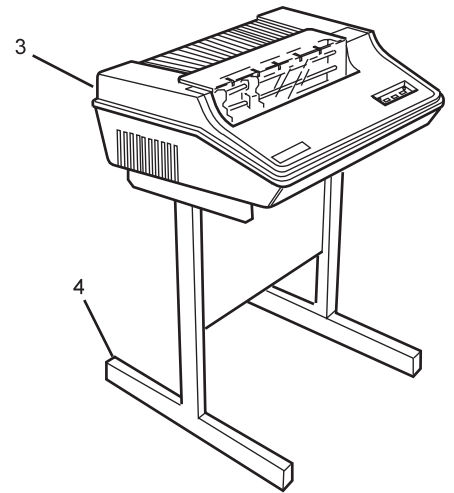
N.A. = No Longer Available

* To order a 500VA Uninterruptible Power Supply, call or write:

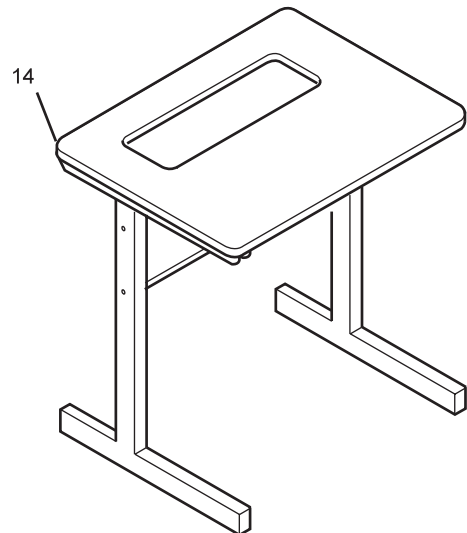
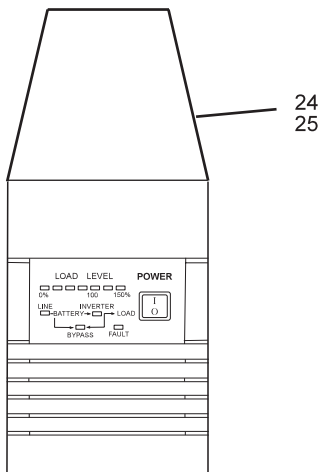
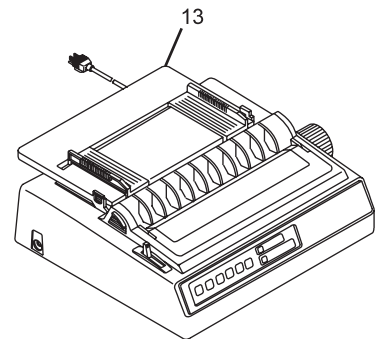
Pure Power Products, Inc.
24037 Acacia Drive, Suite 200
Redford, MI 48239
313-532-5900



ALPHA MICRO COMPUTER
SUPPLIES
INDEX NOS. 5-9



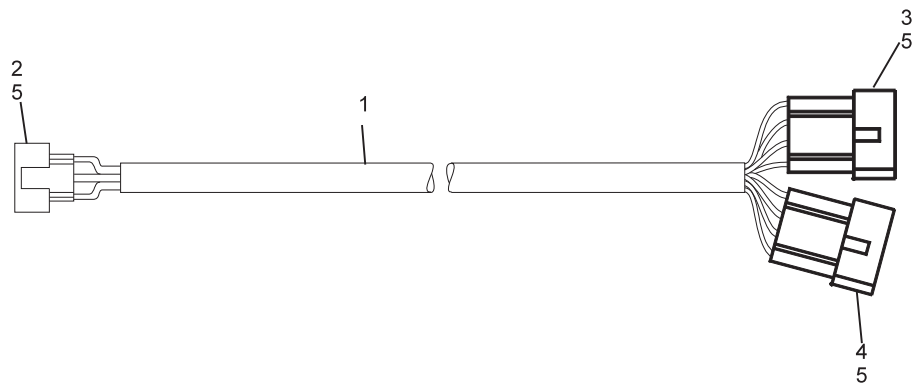
WYSE COMPUTER
SUPPLIES
INDEX NOS. 15-23



Office Computers

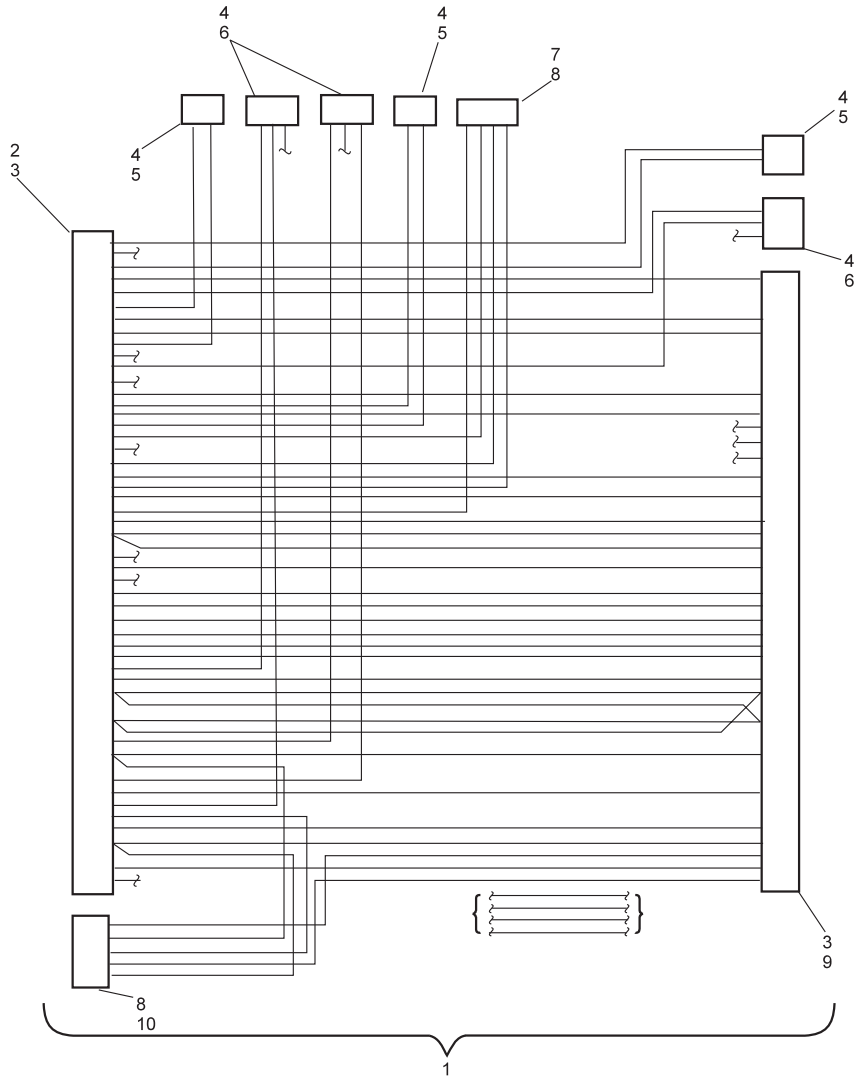
Section G

CABLES



Index No.	Part No.	Description
1.	53-520588-000	Ballrack to A.P. Cont. Lane Cable Assembly
2.	11-680104-000	Connector
3.	11-680105-000	Connector
4.	11-680117-000	Connector
5.	11-680302-000	Terminal

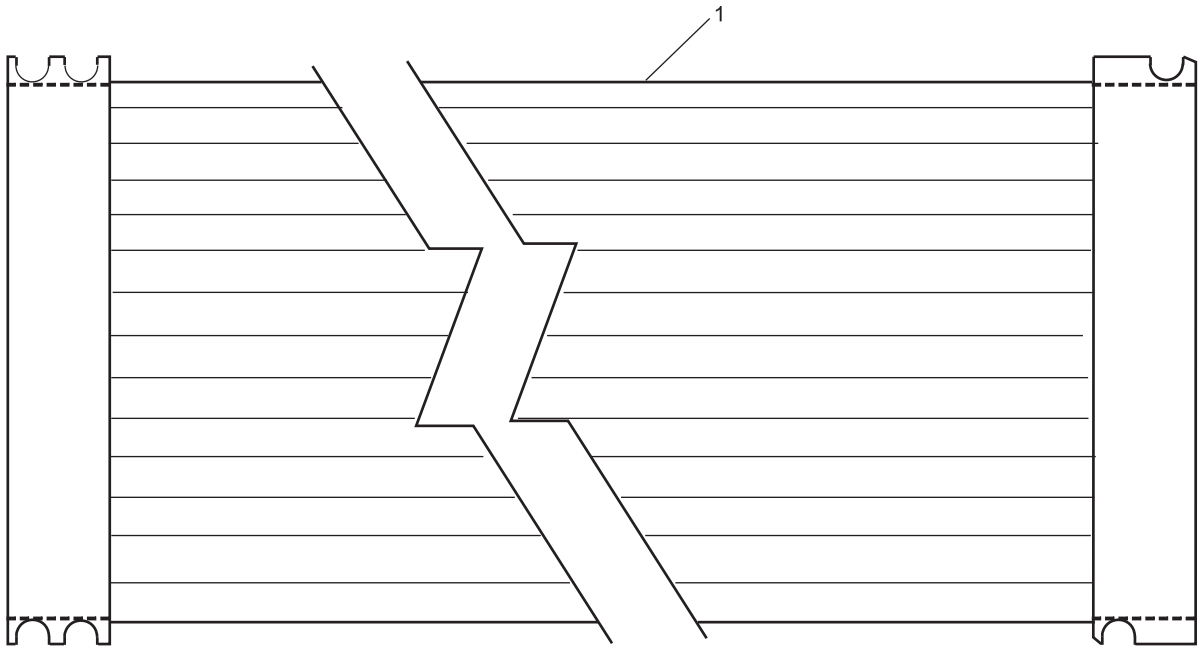
**Ball Rack to A.P. Cont. Lane Cable Assembly
53-520588-000**



Index No.	Part No.	Description
1.	57-214148-000	A/C to I/O Harness Assembly (1979-1980)
2.	11-696815-000	Double Row Connector
3.	11-696926-000	Terminal
4.	11-680216-000	Receptacle
5.	11-680301-000	Terminal
6.	11-680201-000	Receptacle
7.	11-697202-000	Connector
8.	11-680322-000	Terminal
9.	11-696810-000	Double Row Connector
10.	11-697203-000	Connector
11.	*11-680425-000	Polarizing Key

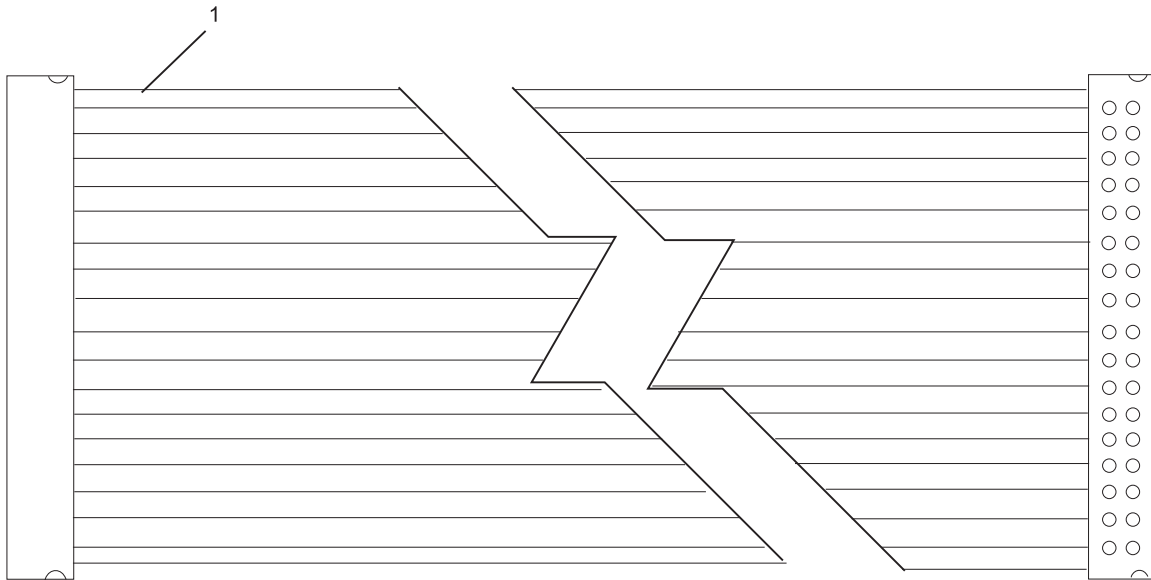
* Not Illustrated

A/C to I/O Cable Assembly (1979-1980)
57-214148-000



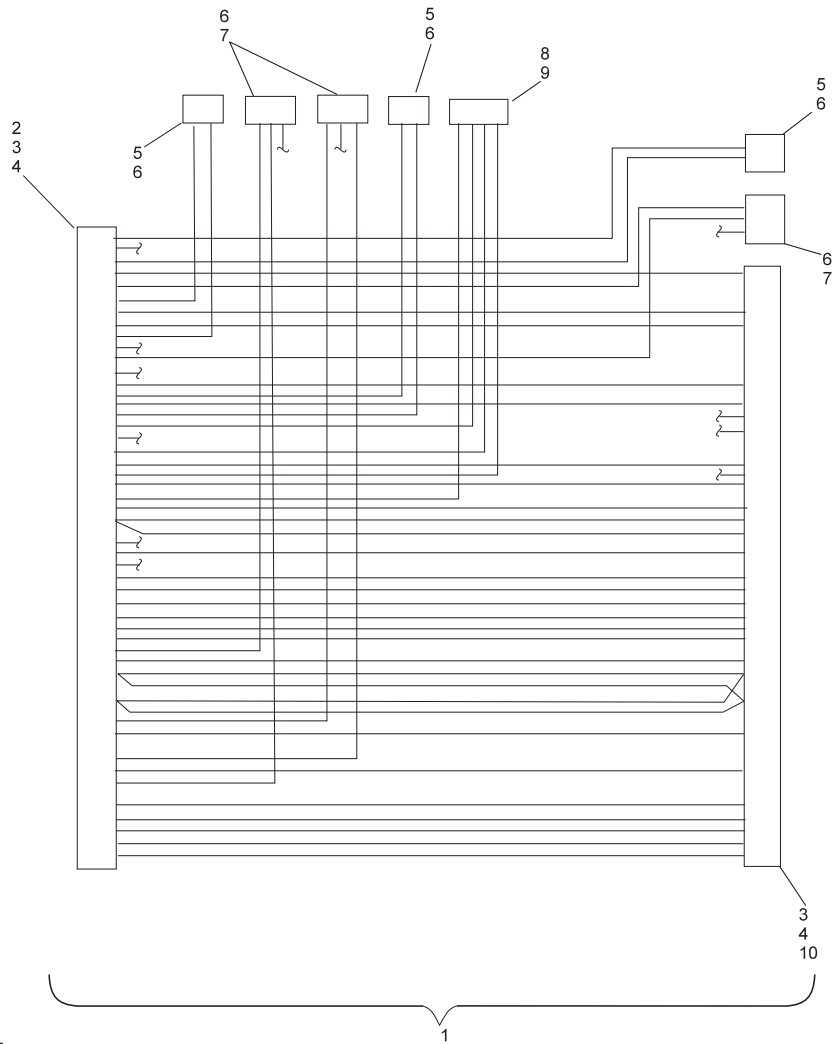
Index No.	Part No.	Description
1.	57-214150-000	CPU to I/O Cable Assembly

**CPU to I/O Cable Assembly
57-214150-000**



Index No.	Part No.	Description
1.	57-214151-000	Keyboard to I/O Cable Assembly

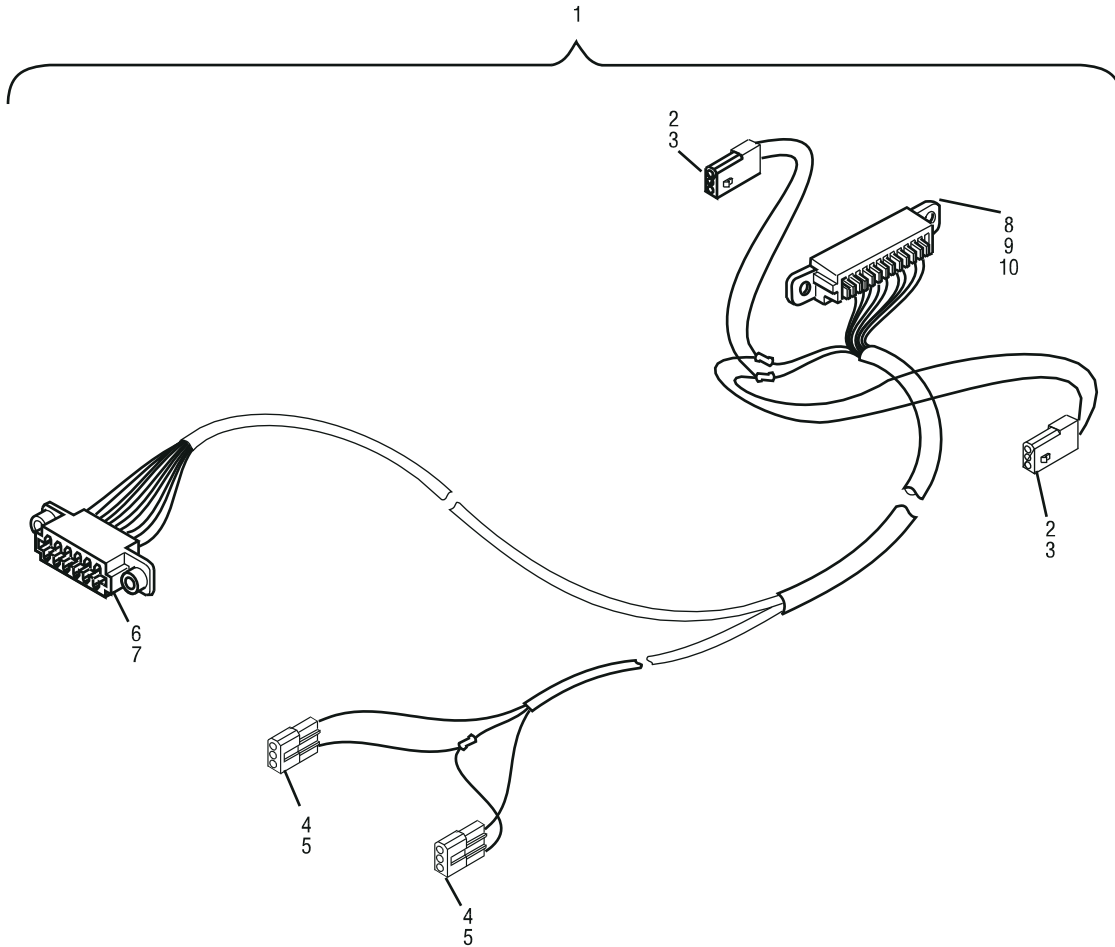
**Keyboard to I/O Cable Assembly
57-214151-000**



Index No.	Part No.	Description
1.	57-214152-000	A/C to I/O Cable Assembly - Complete (1981 & Up)
2.	11-696815-000	Double Row Connector
3.	11-696927-000	Terminal
4.	*11-680425-000	Polarizing Key
5.	11-680216-000	Receptacle
6.	11-680301-000	Terminal
7.	11-680201-000	Receptacle
8.	11-697202-000	Connector
9.	11-680322-000	Terminal
10.	11-696810-000	Double Row Connector

*Not Illustrated

A/C to I/O Cable Assembly (1981 & Up)
57-214152-000

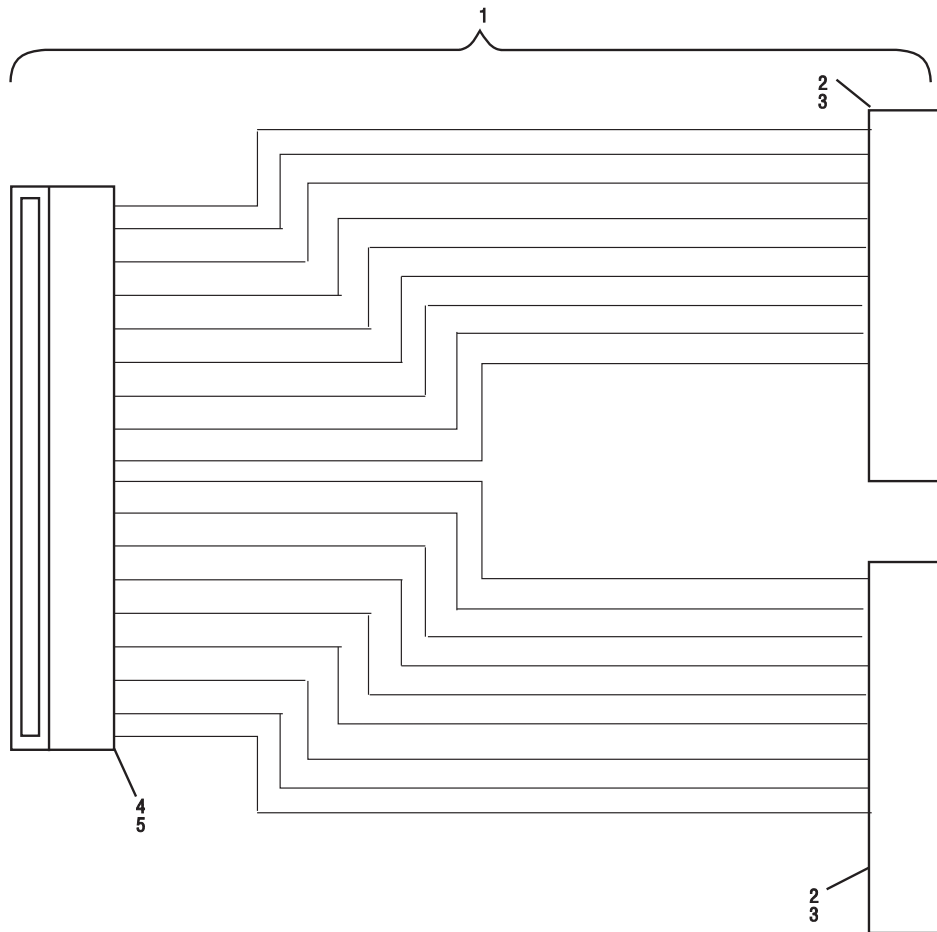


Index

No.	Part No.	Description
1.	57-214153-000	A/C to A/P Interface Cable Assembly
2.	11-680201-000	Receptacle
3.	11-680301-000	Terminal
4.	11-680101-000	Connector Plug
5.	11-680302-000	Terminal
6.	11-696781-000	Edge Connector
7.	11-696927-000	Terminal
8.	11-696801-000	Double Row Connector
9.	11-696785-000	Terminal
10.	*11-680425-000	Polarizing Key

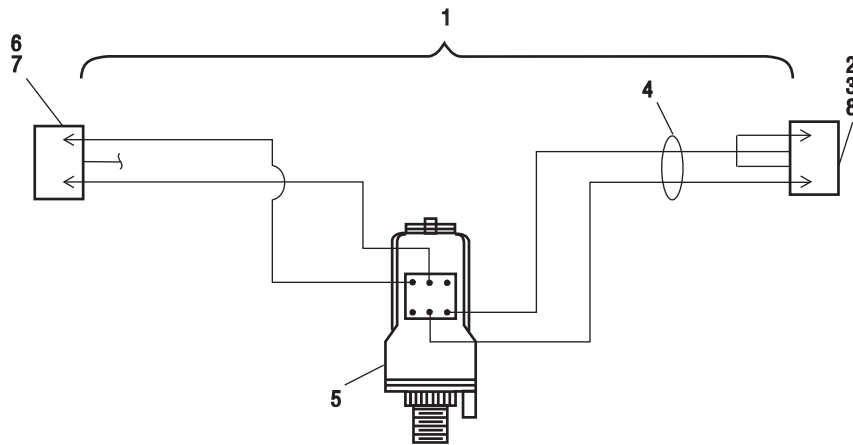
*Not Illustrated

**A/C to A/P Interface
(Model 79) Cable Assembly
57-214153-000**



Index No.	Part No.	Description
1.	57-214154-000	Scanner to A/P Cable Assembly
2.	11-680302-000	Terminal
3.	11-680108-000	Connector Plug
4.	11-696785-000	Terminal
5.	11-696791-000	Edge Connector

**Scanner to A/P Cable Assembly
57-214154-000**

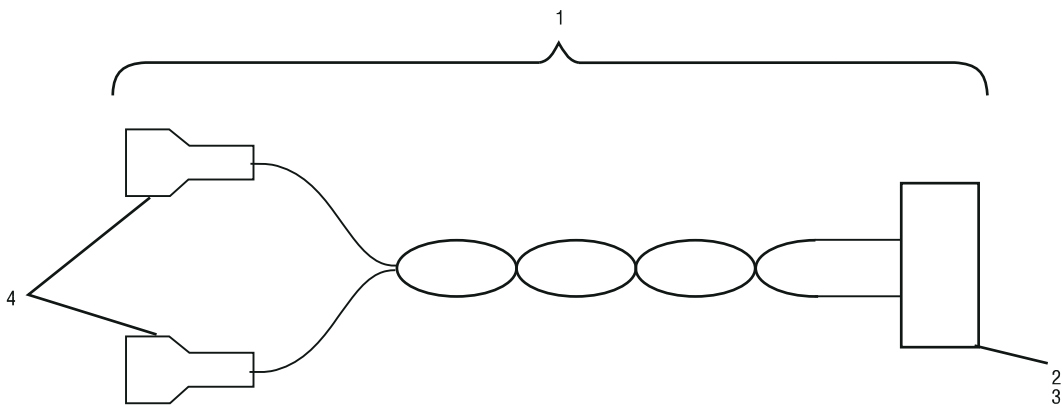


Index

No.	Part No.	Description
1.	57-860254-000	A/C to Keyswitch Cable Assembly
2.	11-696703-000	Connector
3.	11-697186-000	Terminal
4.	11-603108-000	Cable Tie
5.	N.A.	Key Switch
6.	11-680101-000	Connector Plug
7.	11-680302-000	Terminal
8.	57-215010-000	Connector w/ Jumper Wires

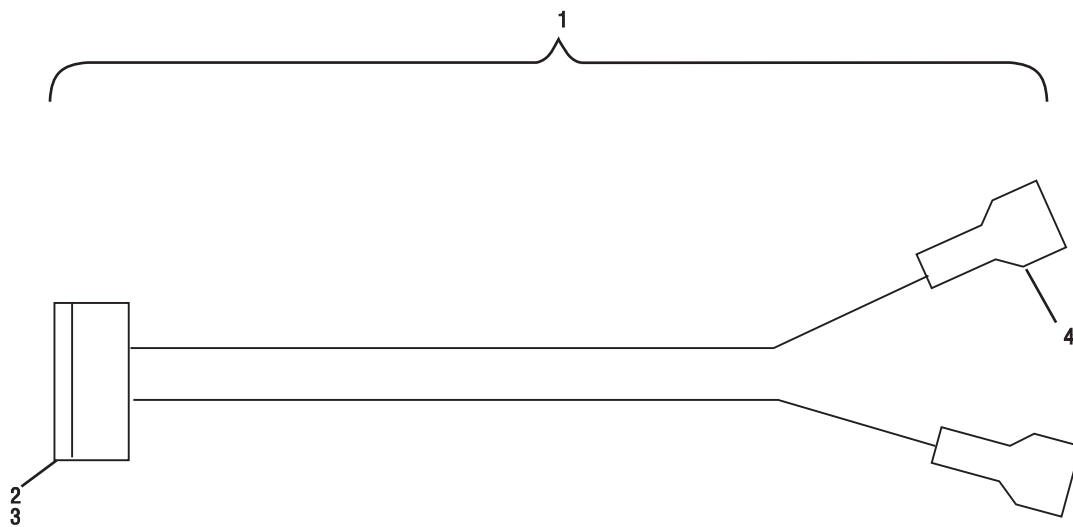
N.A. = No Longer Available

**A/C to Keyswitch Cable Assembly
57-214157-000**



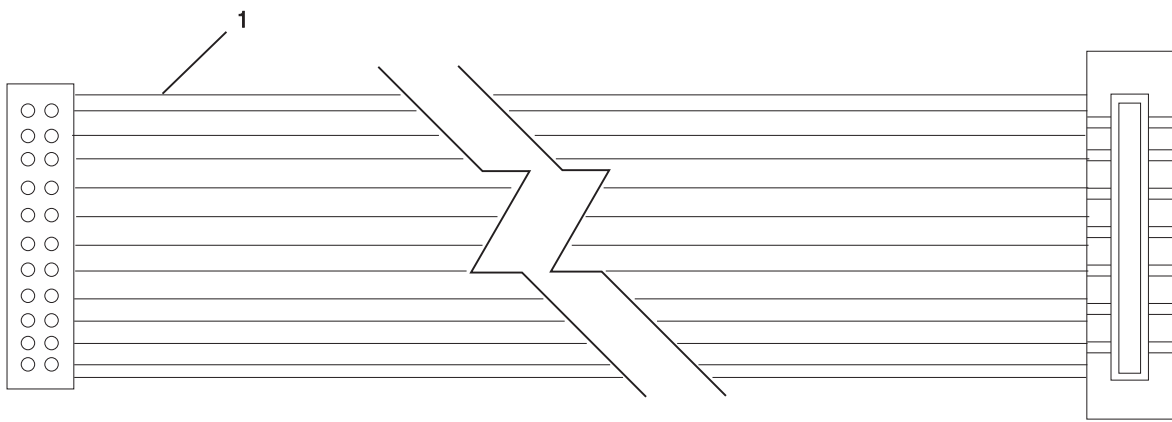
Index No.	Part No.	Description
1.	57-214158-000	Lower Console A/C Interlock Cable Assembly
2.	11-697186-000	Terminal
3.	11-696701-000	Connector
4.	11-612252-000	Receptacle

**Lower Console A/C Interlock Cable Assembly
57-214158-000**



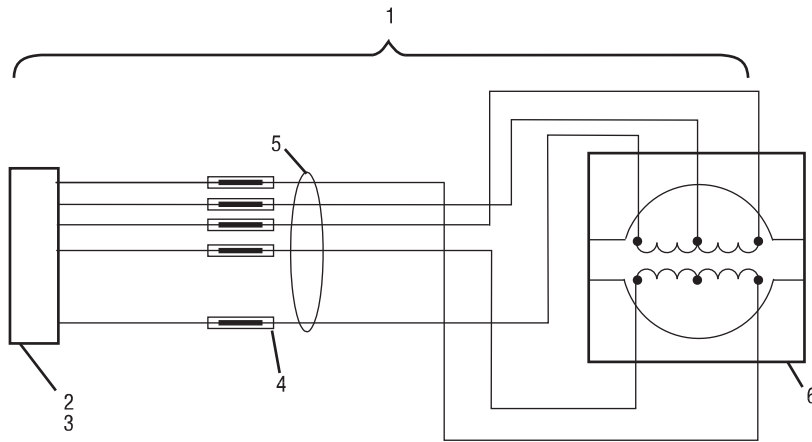
Index No.	Part No.	Description
1.	57-214159-000	Battery Cable Assembly
2.	11-697201-000	Connector
3.	11-680325-000	Terminal
4.	11-612252-000	Receptacle

**Battery Cable Assembly
57-214159-000**



Index No.	Part No.	Description
1.	57-214160-000	I/O to Printer Cable Assembly

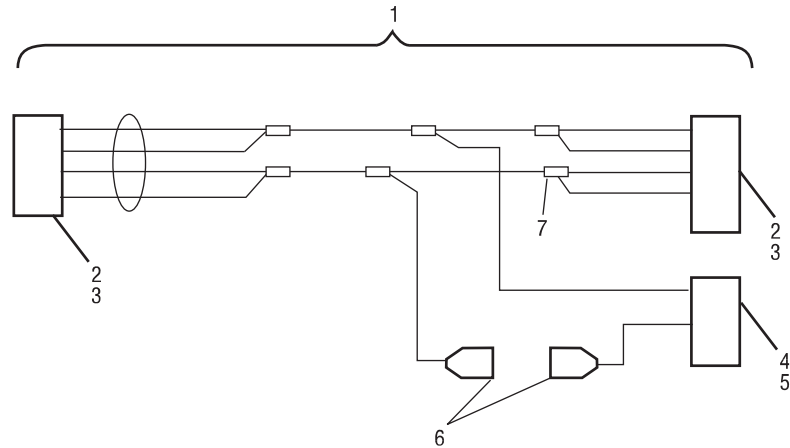
**I/O to Printer Cable Assembly
57-214160-000**



Index

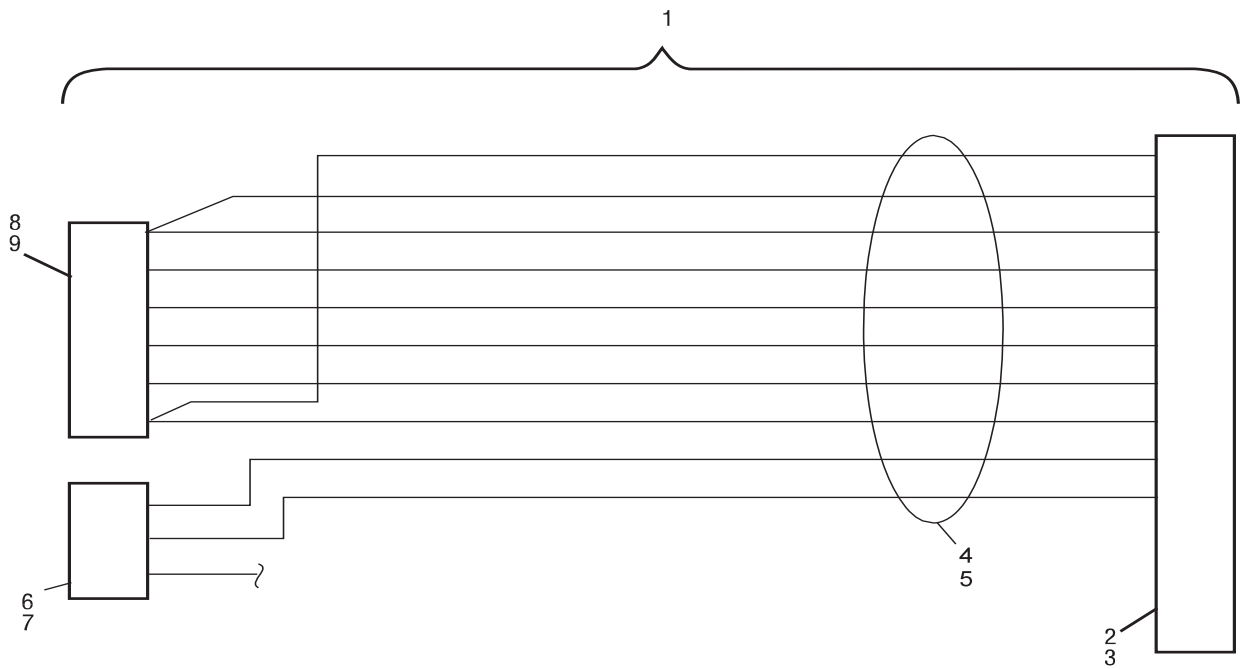
No.	Part No.	Description
1.	57-214161-000	Printer to Transformer Cable Assembly
2.	11-697186-000	Terminal
3.	11-696704-000	Connector
4.	11-612403-000	Splice Connector
5.	11-603108-000	Cable Tie
6.	11-697102-000	Transformer (115 Volt to 28 Volt)

**Printer to Transformer Cable Assembly
57-214161-000**



Index No.	Part No.	Description
1.	57-214164-000	12" Monitor Power and Interlock Cable Assembly
2.	11-680401-000	Receptacle
3.	11-680311-000	Terminal
4.	11-696702-000	Connector
5.	11-697186-000	Terminal
6.	11-612252-000	Receptacle
7.	11-617002-000	Heat Shrink Sleeve

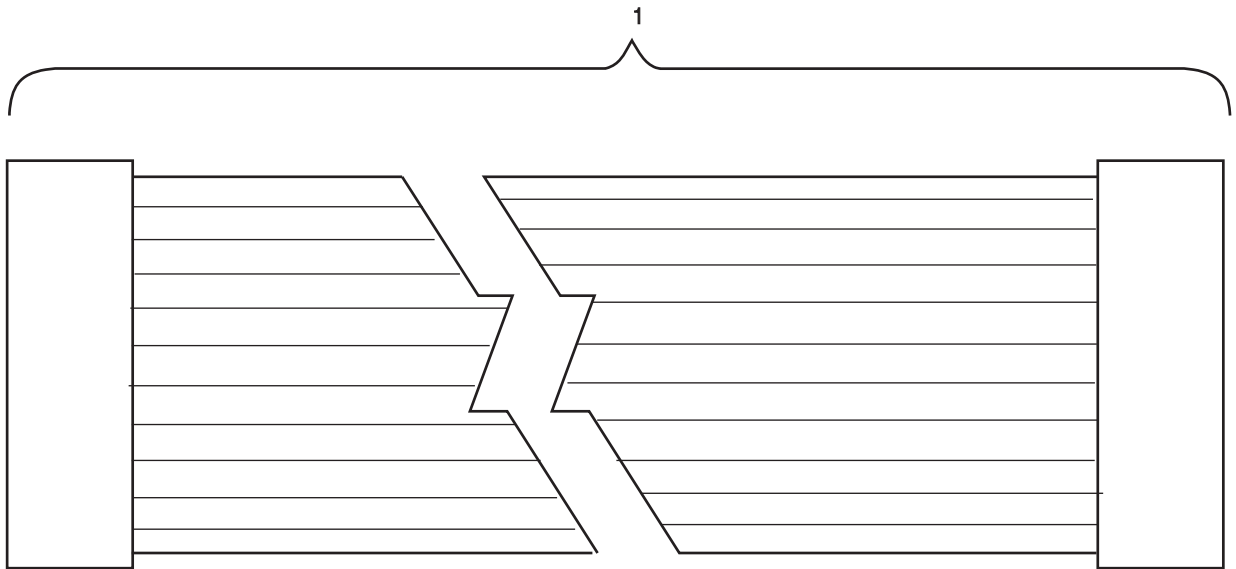
**12" Monitor Power and Interlock Cable Assembly
57-214164-000**



Index No.	Part No.	Description
1.	57-214165-000	A/P Interface to Scanner Cable Assembly (for Subway and Concealed Surfaces)
2.	11-680209-000	Receptacle
3.	11-680301-000	Terminal
4.	*11-651006-000	Grommet (3/8")
5.	*11-603108-000	Cable Tie
6.	11-680101-000	Connector Plug
7.	11-680302-000	Terminal
8.	11-696777-000	Edge Connector
9.	11-696785-000	Terminal

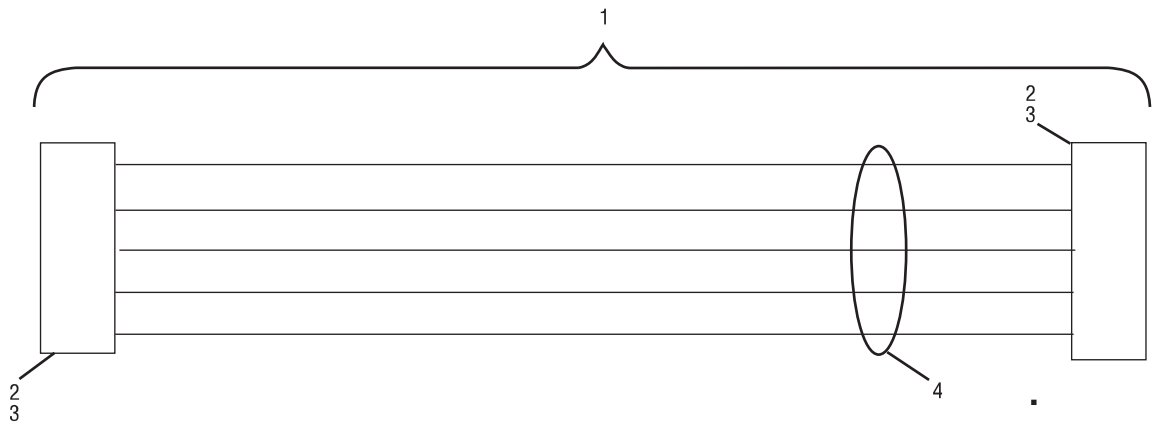
* Not Illustrated

A/P Interface to Scanner Cable Assembly
(for Subway and Concealed Surfaces)
57-214165-000



Index No.	Part No.	Description
1.	57-214168-000	CPU to Eprom Cable Assembly

**CPU to Eprom Cable Assembly
57-214168-000**

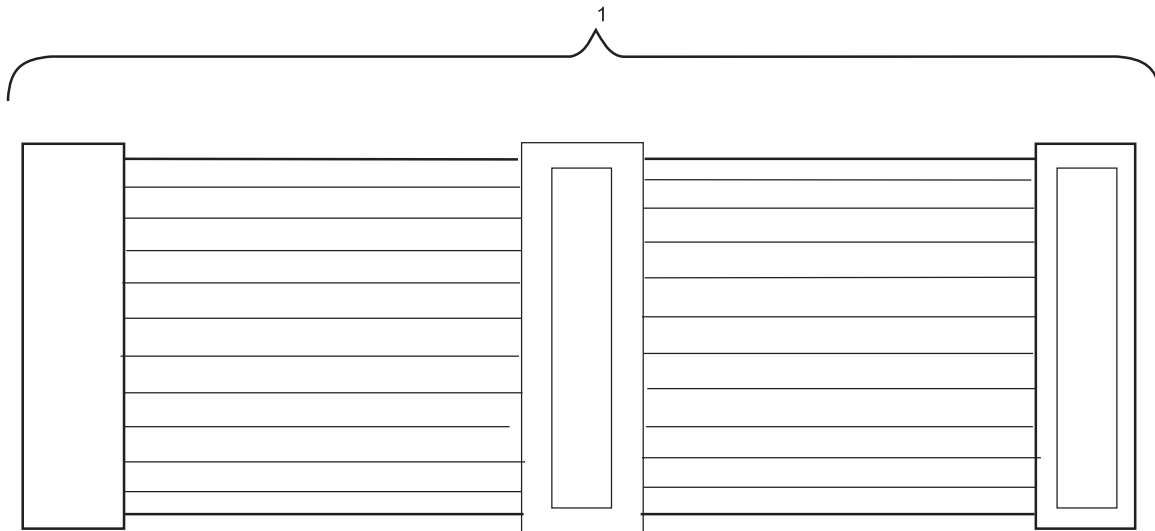


Index

No.	Part No.	Description
1.	N.A.	CPU to Eprom Cable Assembly
2.	11-697203-000	Connector
3.	11-680322-000	Terminal
4.	11-603108-000	Cable Tie

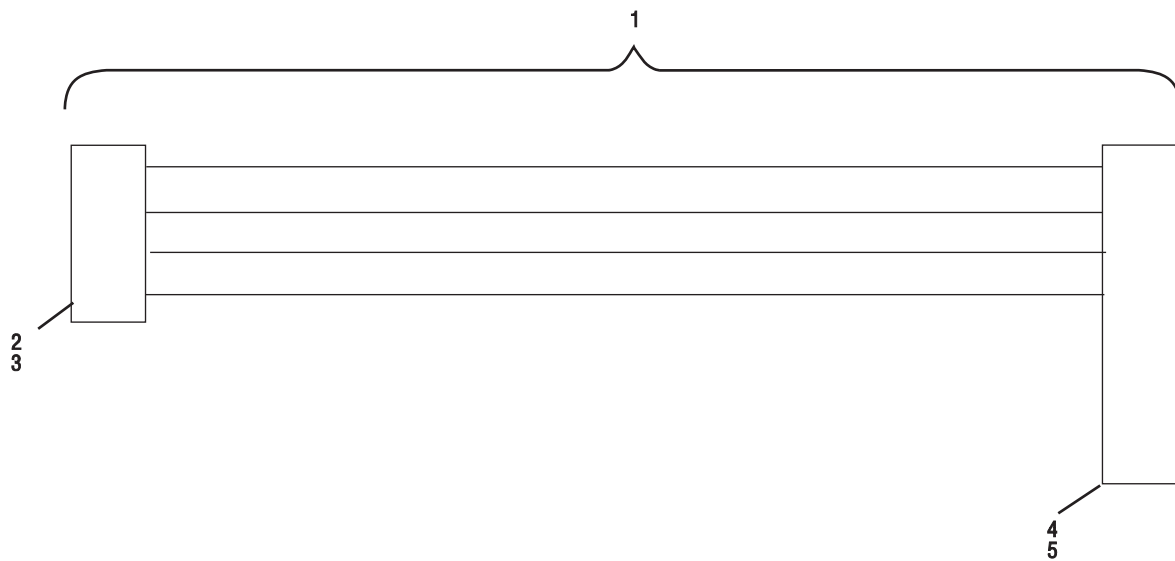
N.A. = No Longer Available

**CPU to Eprom Cable Assembly
57-214169-000**



Index No.	Part No.	Description
1.	57-214170-000	CPU to Ram Cable Assembly

**CPU to Ram Cable Assembly
57-214170-000**

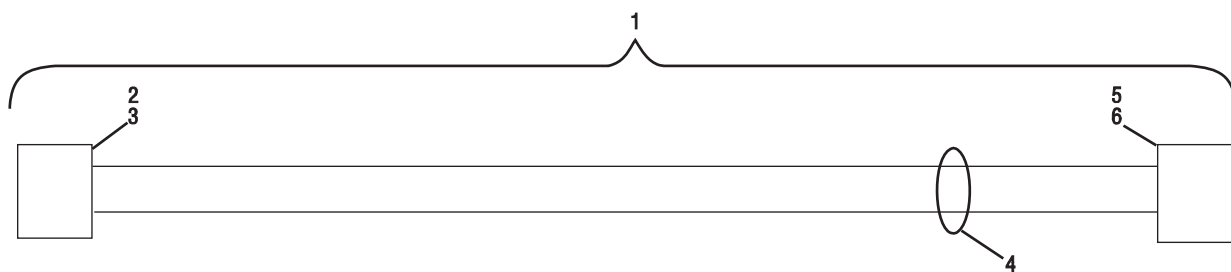


Index No.	Part No.	Description
1.	57-214172-000	CPU to 12" Monitor "B" Cable Assembly
2.	11-697202-000	Connector
3.	11-680322-000	Terminal
4.	11-614607-000	PC Connector
5.	11-612777-000	Terminal

**CPU to 12" Monitor "B" Cable Assembly
57-214172-000**

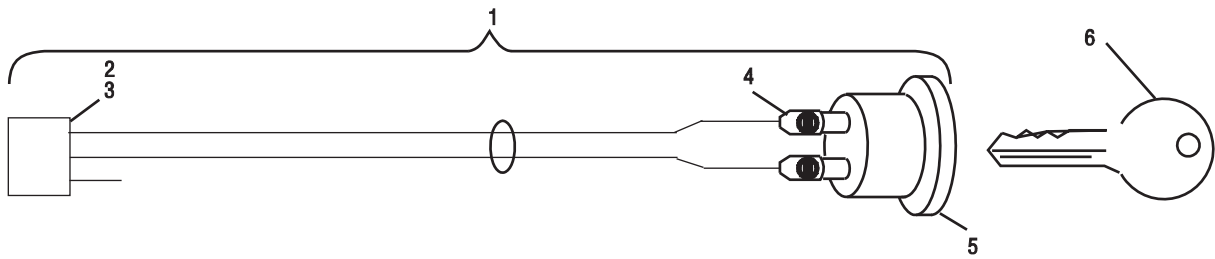
Index No.	Part No.	Description
1.	57-214173-000	Pinsetter Cable Assembly
2.	11-612153-000	Terminal
3.	11-680301-000	Terminal
4.	11-612007-000	Terminal
5.	11-612021-000	Connector
6.	11-612152-000	Connector
7.	11-612151-000	Terminal
8.	11-603108-000	Cable Tie
9.	11-602101-000	Cord Grip
10.	11-602002-001	Electrical Locknut (1/2")

**Pinsetter Cable Assembly
57-214173-000**



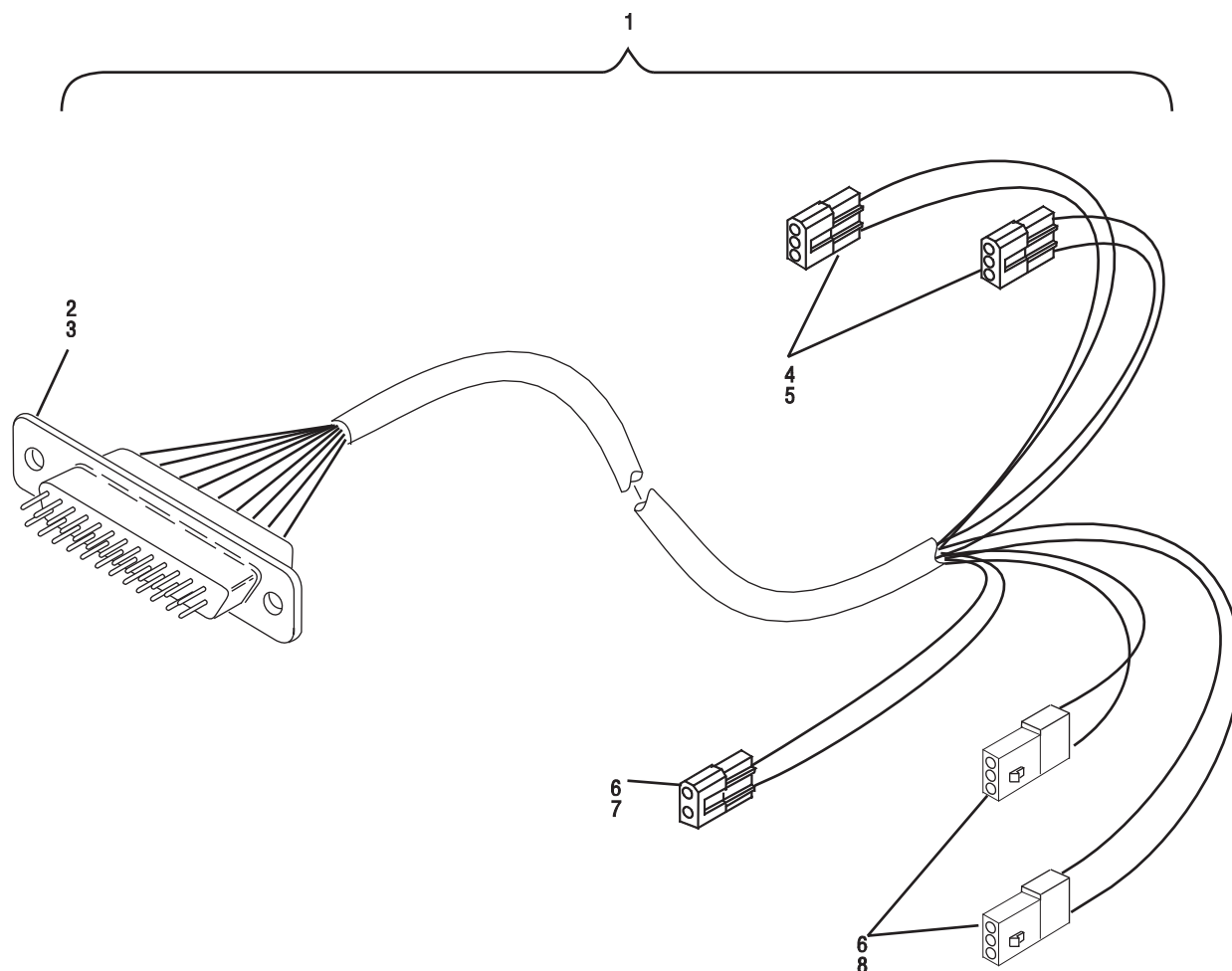
Index No.	Part No.	Description
1.	57-214175-000	Keyboard to Service Light Cable Assembly
2.	11-680116-000	Connector
3.	11-680302-000	Terminal
4.	11-603108-000	Cable Tie
5.	11-697181-000	Connector
6.	11-680323-000	Terminal

**Keyboard to Service Light Cable Assembly
57-214175-000**



Index No.	Part No.	Description
1.	57-214176-000	Mode Switch Cable Assembly
2.	11-680302-000	Terminal
3.	11-680101-000	Connector Plug
4.	11-612006-000	Terminal
5.	11-615182-000	Key Switch
6.	11-615182-002	Key Only

**Mode Switch Cable Assembly
57-214176-000**



Index No.	Part No.	Description
1.	57-214182-000	Manager's Control Adapter Cable Assembly
2.	11-680975-000	Connector
3.	11-680976-000	Cover
4.	11-680101-000	Connector Plug
5.	11-680302-000	Terminal
6.	11-680301-000	Terminal
7.	11-680116-000	Receptacle
8.	11-680201-000	Receptacle

**Manager's Control Adapter Cable Assembly
57-214182-000**

Index		
No.	Part No.	Description
1.	N.A.	Scanner Interface Cable Assembly (AMF - Common to All Models)
2.	11-680303-000	Terminal
3.	11-696785-000	Terminal
4.	11-696791-000	Edge Connector
5.	11-680261-000	Edge Connector

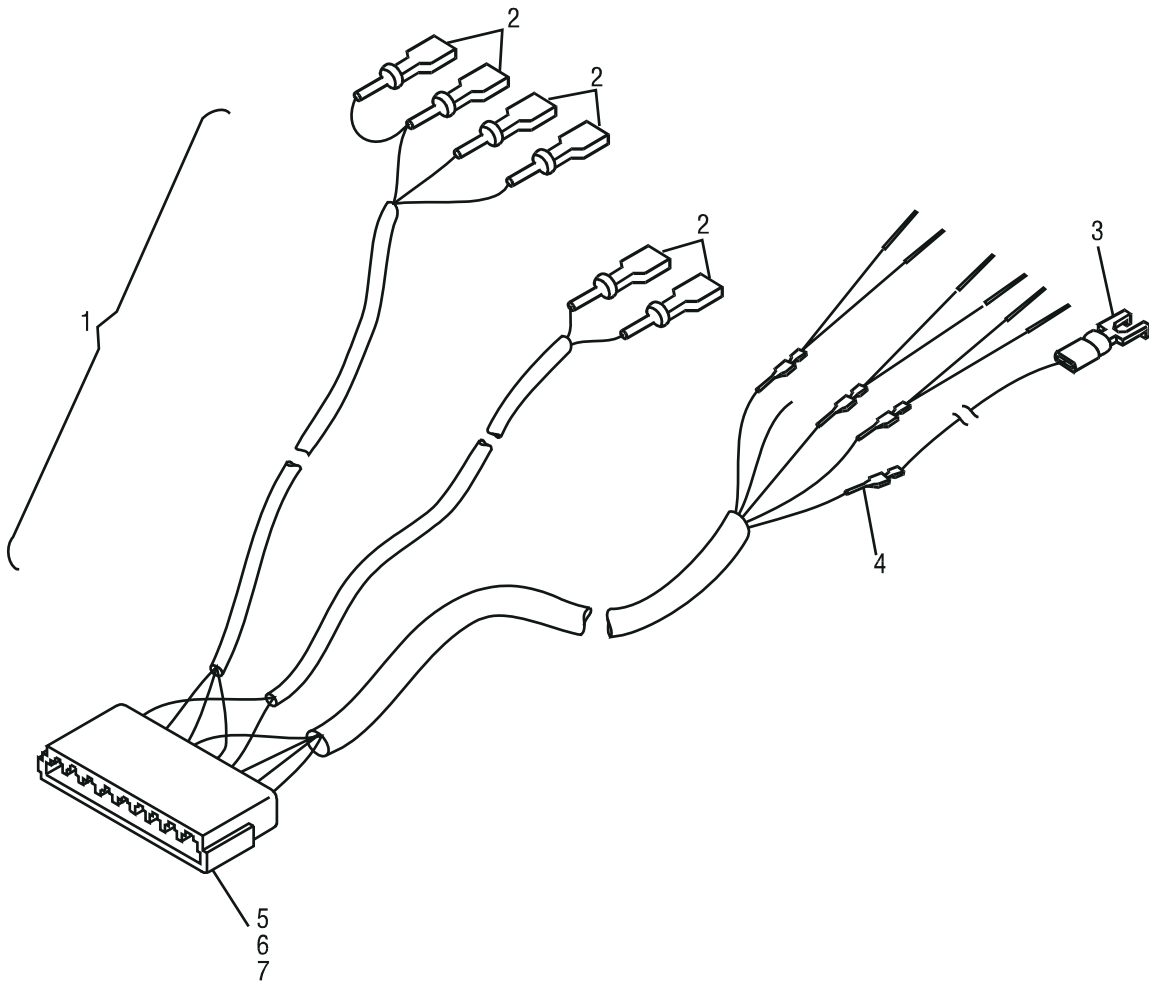
N.A. = No Longer Available

Scanner Interface Cable Assembly
(AMF - Common to All Models)
57-214285-000

Index No.	Part No.	Description
1.	57-214286-000	AMF Lane #1 Cable Assembly (82-70SS)
2.	11-612252-000	Receptacle
3.	11-612021-000	Connector
4.	11-612403-000	Splice Connector
5.	11-680257-000	Edge Connector
6.	11-680303-000	Terminal
7.	*11-680260-000	Polarizing Key

*Not Illustrated

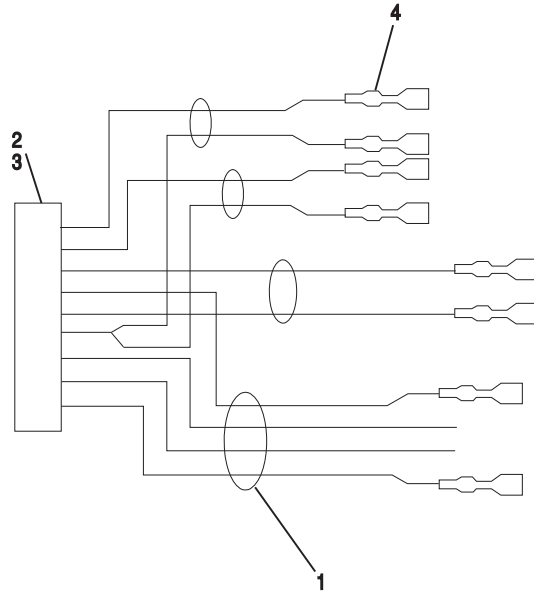
**AMF Lane #1 Cable Assembly (82-70SS)
57-214286-000**



Index No.	Part No.	Description
1.	57-214287-000	AMF Lane #2 Cable Assembly (82-70SS)
2.	11-612252-000	Receptacle
3.	11-612021-000	Connector
4.	11-612403-000	Splice Connector
5.	11-680257-000	Edge Connector
6.	11-680303-000	Terminal
7.	*11-680260-000	Polarizing Key

*Not Illustrated

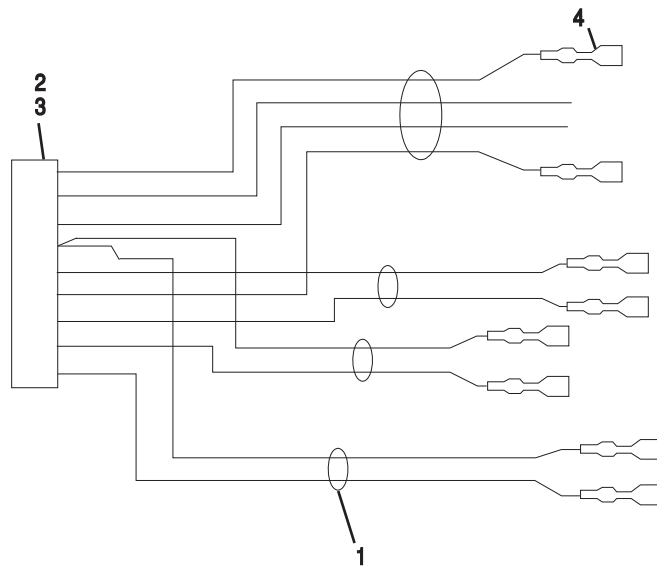
**AMF Lane #2 Cable Assembly (82-70SS)
57-214287-000**



Index No.	Part No.	Description
1.	N.A.	AMF Interface PCB to AMF Control Box 8230 Lane 1 Cable Assembly
2.	11-680257-000	Connector
3.	11-680303-000	Terminal
4.	11-612253-000	Receptacle

N.A. = Not Available as An Assembly

AMF Interface PCB to AMF Control Box
8230 Lane 1 Cable Assembly
57-214296-000



Index No.	Part No.	Description
1.	N.A.	AMF Interface PCB to AMF Control Box 8230 Lane 2 Cable Assembly
2.	11-680257-000	Connector
3.	11-680303-000	Terminal
4.	11-612253-000	Receptacle

N.A. = No Longer Available As An Assembly

AMF Interface PCB to AMF Control Box
8230 Lane 2 Cable Assembly
57-214297-000

Index No.	Part No.	Description
1.	57-214301-000	AMF Lane #1 Cable Assembly (82-70)
2.	11-612252-000	Receptacle
3.	11-612021-000	Connector
4.	11-612403-000	Splice Connector
5.	11-680257-000	Edge Connector
6.	11-680303-000	Terminal
7.	*11-680260-000	Polarizing Key

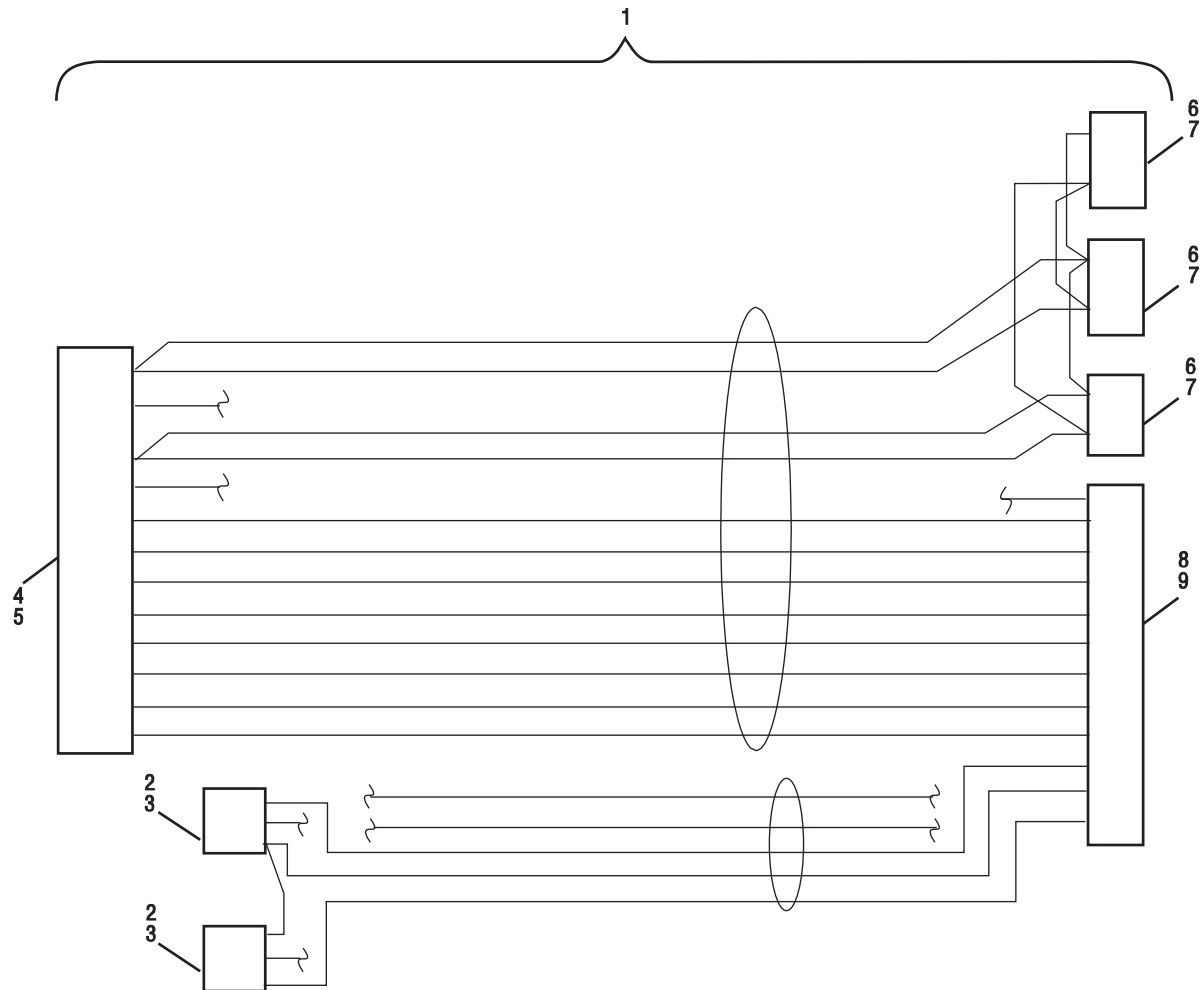
*Not Illustrated

AMF Lane #1 Cable Assembly (82-70)
57-214301-000

Index No.	Part No.	Description
1.	57-214302-000	AMF Lane #2 Cable Assembly (82-70)
2.	11-612252-000	Receptacle
3.	11-612021-000	Connector
4.	11-612403-000	Splice Connector
5.	11-680257-000	Edge Connector
6.	11-680303-000	Terminal
7.	*11-680260-000	Polarizing Key

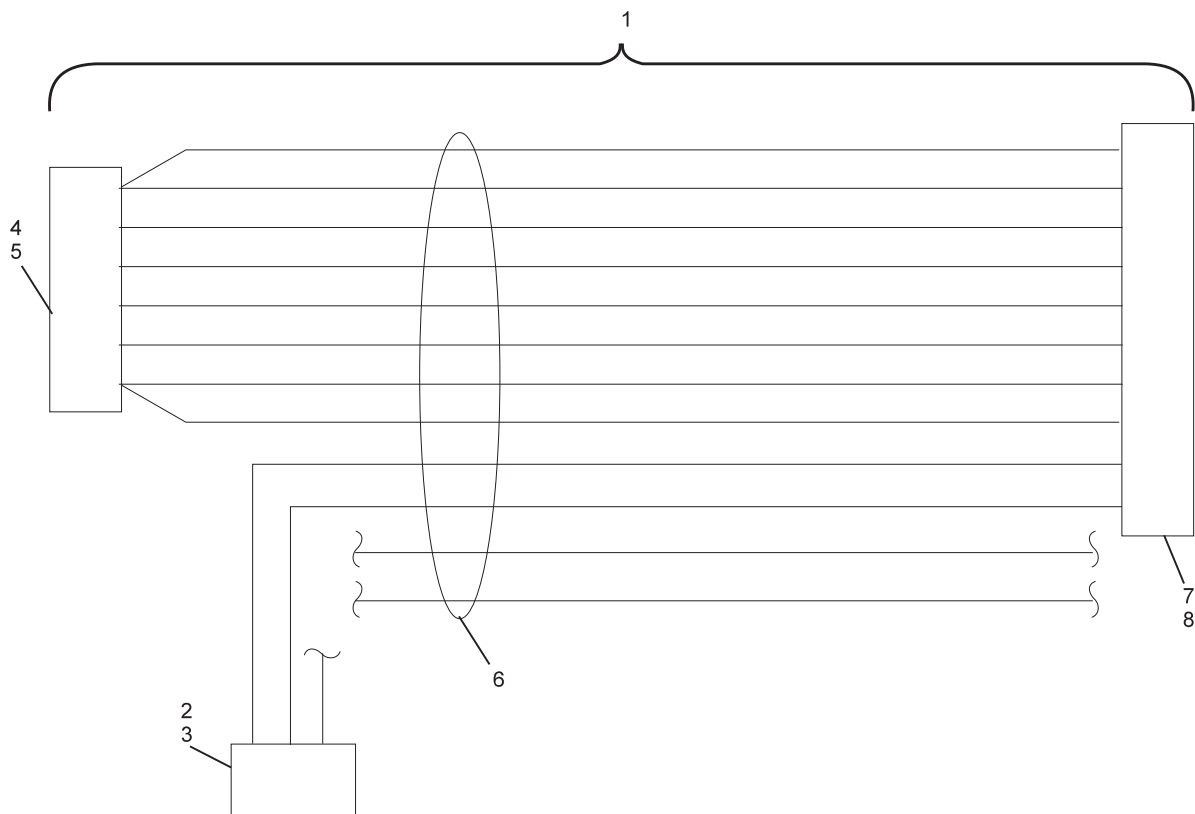
*Not Illustrated

**AMF Lane #2 Cable Assembly (82-70)
57-214302-000**



Index No.	Part No.	Description
1.	57-214311-000	A/C Board to A/P Interface Cable Assembly (Surface Return)
2.	11-680101-000	Connector
3.	11-680302-000	Terminal
4.	11-696801-000	Connector
5.	11-696926-000	Terminal
6.	11-680201-000	Connector
7.	11-680301-000	Terminal
8.	11-696781-000	Connector
9.	11-696785-000	Terminal

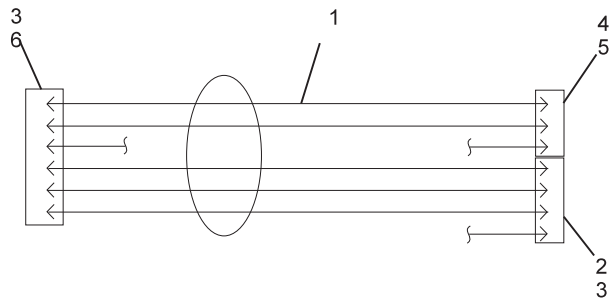
A/C Board to A/P Interface Cable Assembly
(Surface Return)
57-214311-000



Index No.	Part No.	Description
1.	N.A.	A/P Interface to Scanner Cable Assembly
2.	11-680101-000	Connector
3.	11-680302-000	Terminal
4.	11-696785-000	Terminal
5.	11-696777-000	Connector
6.	11-651006-000	Grommet
7.	11-680301-000	Terminal
8.	11-680209-000	Connector

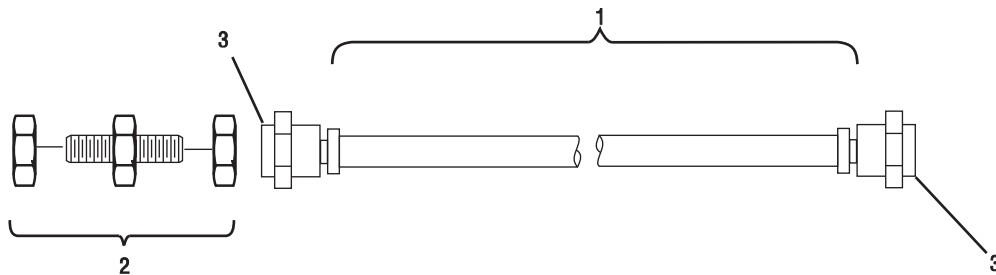
N.A. = No Longer Available

**A/P Interface to Scanner Cable Assembly
57-214312-000**



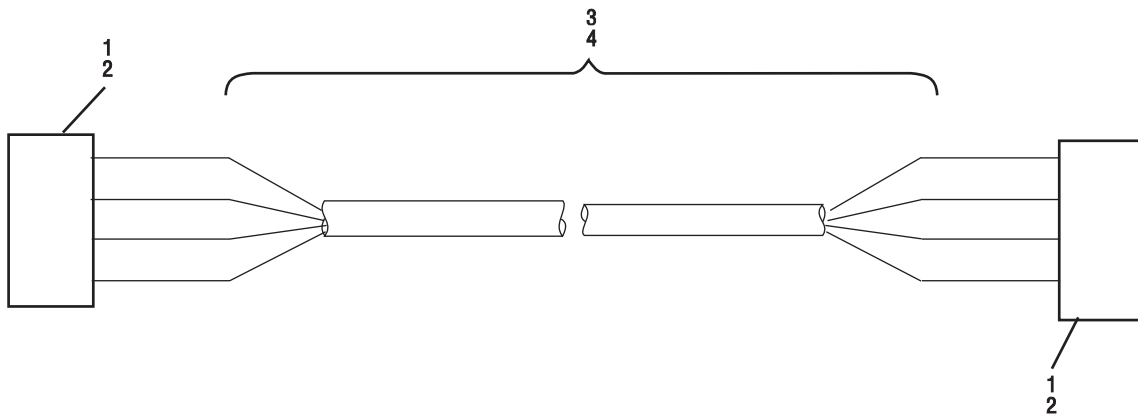
Index No.	Part No.	Description
1.	57-214313-000	Ball Detect to D/A Box Cable Assembly
2.	11-680322-000	Terminal
3.	11-697202-000	Connector
4.	11-680101-000	Connector
5.	11-680302-000	Terminal
6.	11-680107-000	Connector

**Ball Detect to D/A Box Cable Assembly
57-214313-000**



Index No.	Part No.	Description
1.	57-214370-004 57-214370-005	R.H. Cable Assembly (37") Interconnect Cable Assembly (25')
2.	11-690533-000	"F" Type Panel Mount
3.	11-690532-000	"F" Type Connector

R. H. and Interconnect Cable Assemblies
57-214370-004
57-214370-005

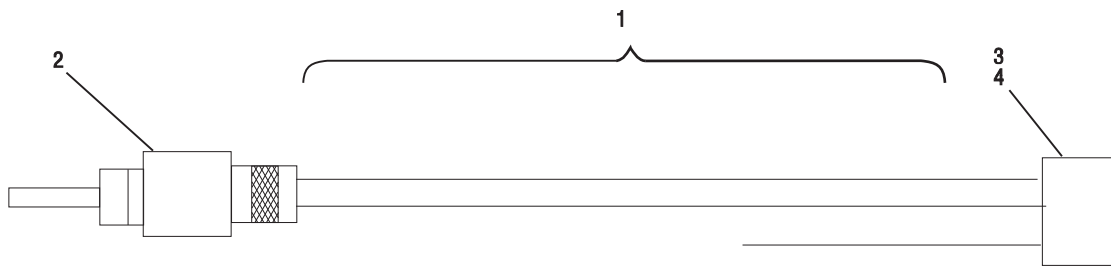


Index

No.	Part No.	Description
1.	11-697202-000	Connector
2.	11-680322-000	Terminal
3.	N.A.	Switch Board Interconnect Cable Assembly (6")
4.	N.A.	Switch Bank Interconnect Cable Assembly (13')

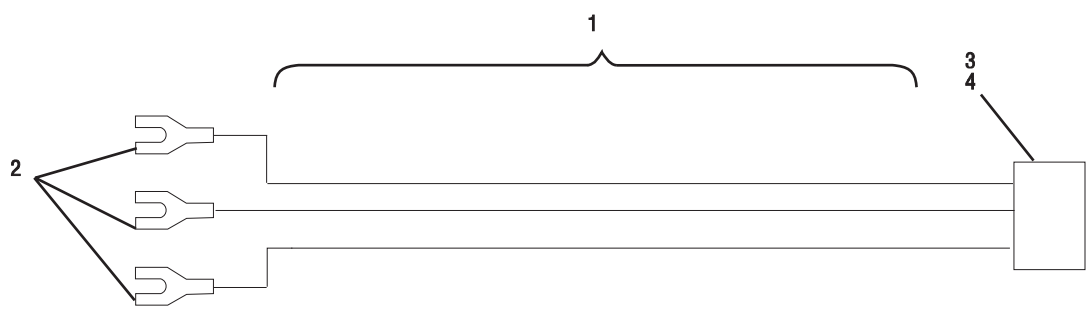
N.A. = No Longer Available

**Switch Board and Switch Bank
Interconnect Cable Assemblies
57-214401-000
57-214490-000**



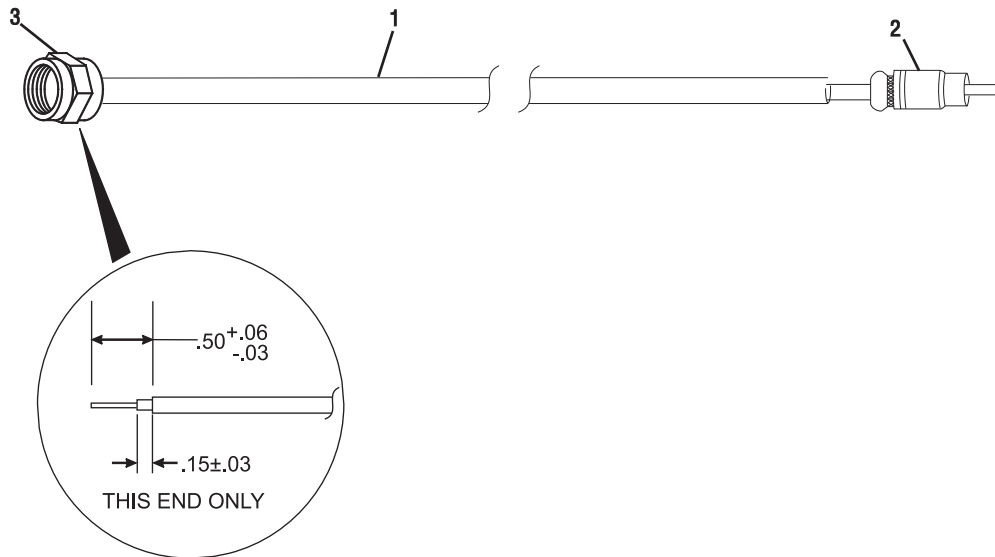
Index No.	Part No.	Description
1.	57-214409-000	VCR to Control Cable Assembly
2.	11-681300-000	Plug
3.	11-680101-000	Connector Plug
4.	11-680302-000	Terminal

**VCR to Control Cable Assembly
57-214409-000**



Index No.	Part No.	Description
1.	57-214411-000	Scorer PA to Control Cable Assembly
2.	11-612008-000	Connector
3.	11-680101-000	Conector Plug
4.	11-680302-000	Terminal

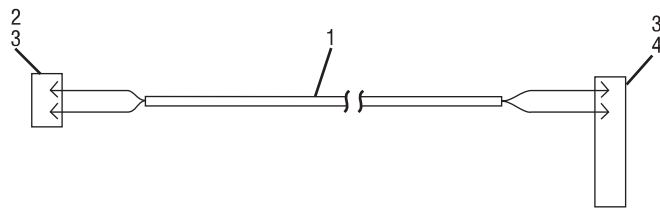
**Scorer PA to Control Cable Assembly
57-214411-000**



Index No.	Part No.	Description
1.	N.A.	VCR to Overhead Cable Assembly
2.	11-681300-000	RCA Plug
3.	11-690532-000	"F" Connector

N.A. = No Longer Available As An Assembly

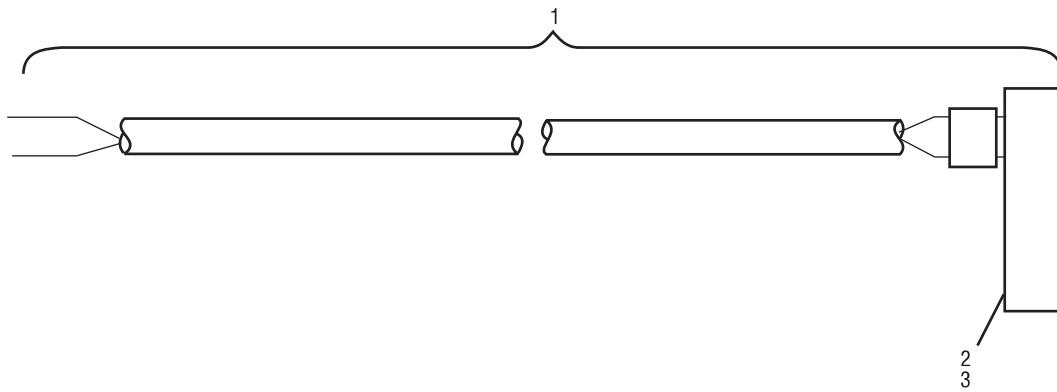
**VCR to Overhead Cable Assembly
57-214413-000**



Index No.	Part No.	Description
1.	N.A.	Video Select Control Cable Assembly
2.	11-680116-000	Connector
3.	11-680302-000	Terminal
4.	11-680107-000	Connector

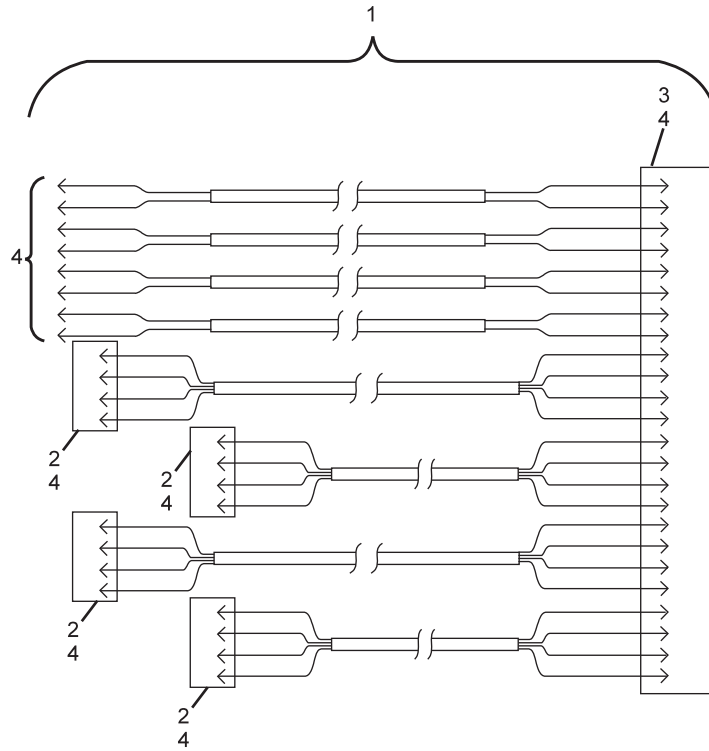
N.A. = No Longer Available As An Assembly

**Video Select Control Cable Assembly
57-214415-000**



Index No.	Part No.	Description
1.	57-214416-000	VCR/Overhead Select Extension Cable Assembly
2.	11-680302-000	Terminal
3.	11-680107-000	Connector

**VCR/Overhead Select Extension Cable Assembly
57-214416-000**

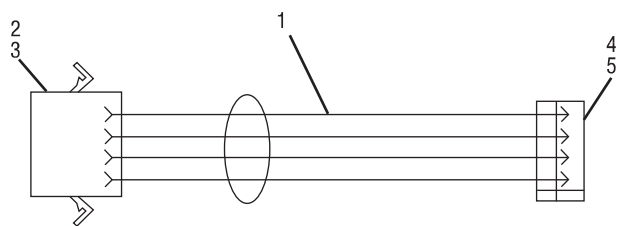


Index

No.	Part No.	Description
1.	N.A.	Control to Overhead Single Select & Scorer Cable Assembly (Field Assembled)
2.	11-680105-000	Connector
3.	11-680112-000	Connector
4.	11-680302-000	Terminal

N.A. = No Longer Available As An Assembly

**Control to Overhead
Single Select & Scorer Cable Assembly
57-214417-000**

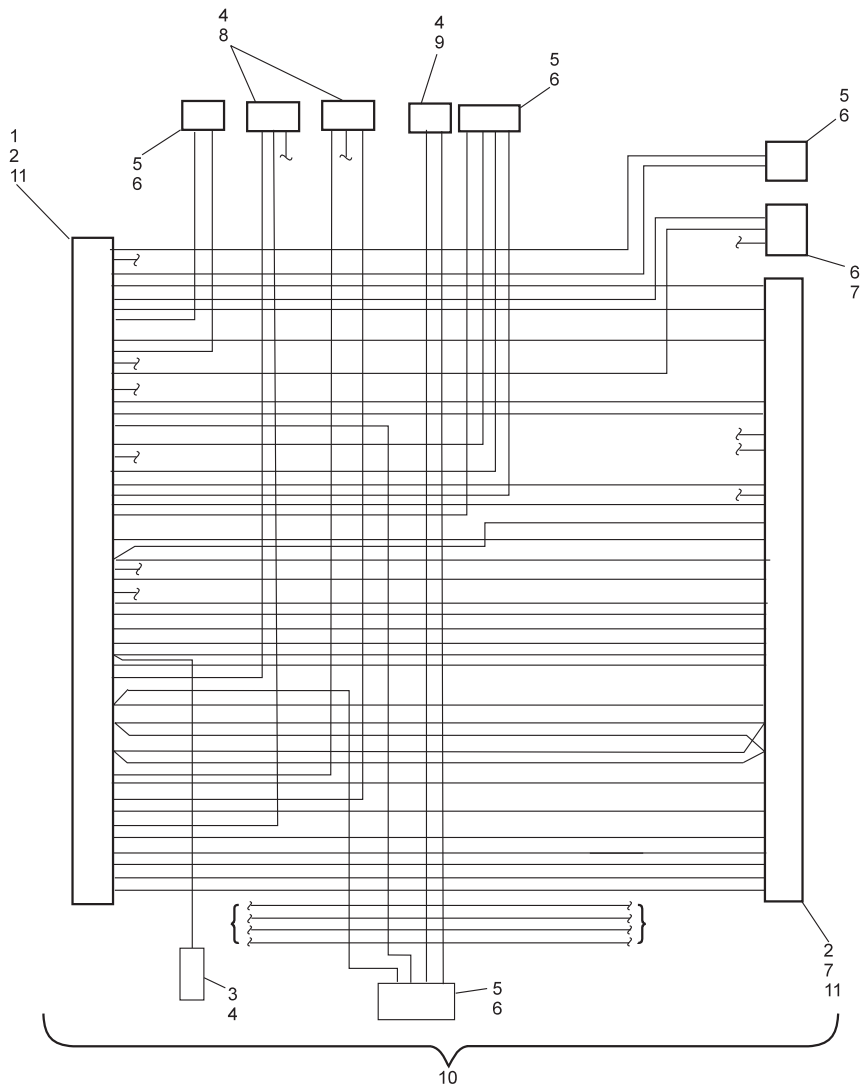


Index

No.	Part No.	Description
1.	57-214433-000	Color Select Switch Cable Assembly
2.	N.A.	Connector
3.	11-680301-000	Terminal
4.	11-697202-000	Connector
5.	11-680322-000	Terminal

N.A. = No Longer Available

**Color Select Switch Cable Assembly
57-214433-000**

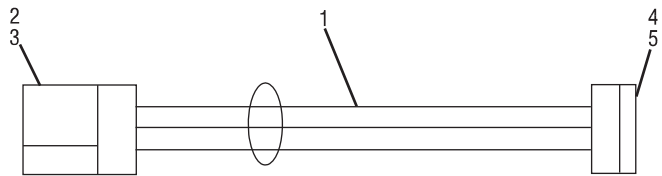


Index No.	Part No.	Description
1.	11-696815-000	Connector
2.	11-696927-000	Terminal
3.	11-680202-000	Connector
4.	11-680301-000	Terminal
5.	11-697202-000	Connector
6.	11-680322-000	Terminal
7.	11-696810-000	Connector
8.	11-680201-000	Connector
9.	11-680216-000	Connector
10.	*57-214449-000	A/C to I/O Cable Assembly
11.	**11-680425-000	Polarizing Key

* For Scorers with Audio Switching Board

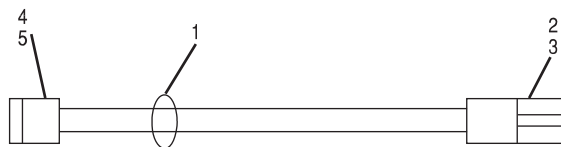
** Not Illustrated

A/C to I/O Cable Assembly 57-214449-000



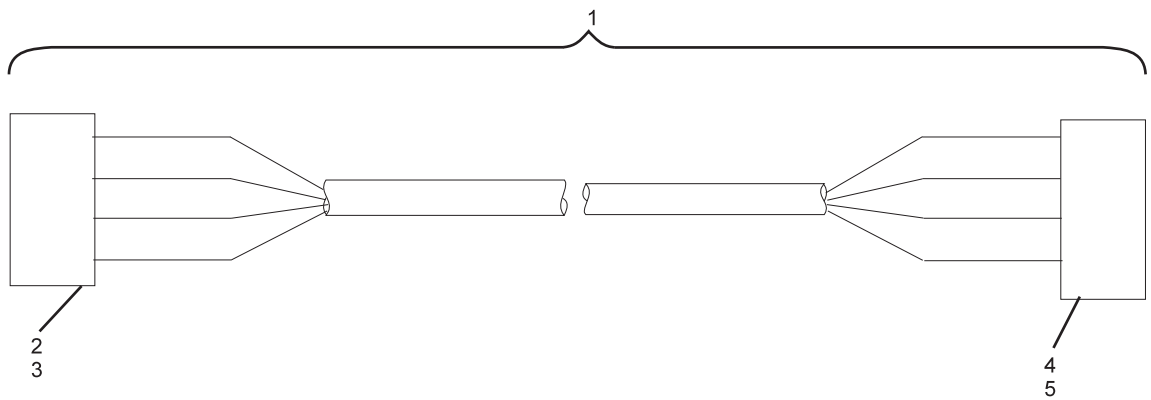
Index No.	Part No.	Description
1.	57-214484-000	Audio to House PA Cable Assembly
2.	11-680201-000	Connector
3.	11-680301-000	Terminal
4.	11-697236-000	Connector
5.	11-680326-000	Terminal

Audio to House PA Cable Assembly
57-214484-000



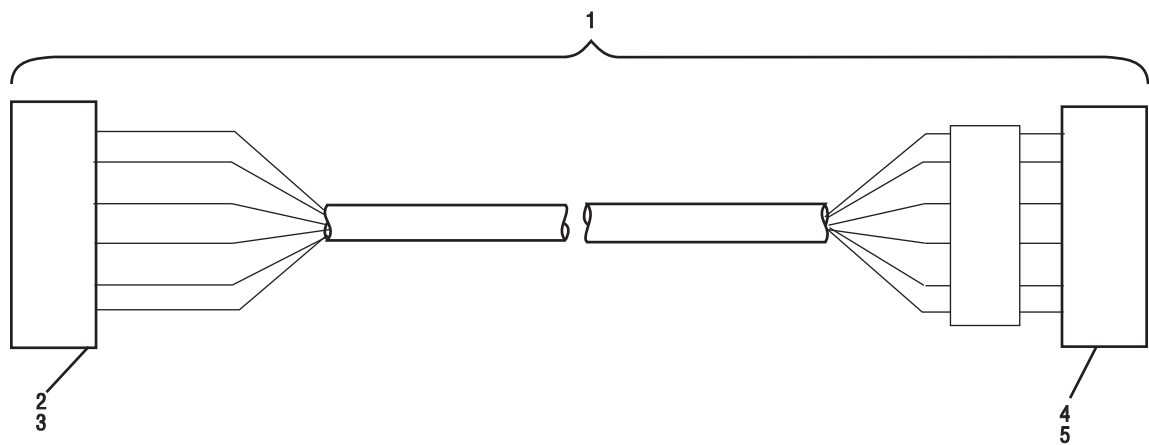
Index No.	Part No.	Description
1.	57-214486-000	Video All Select Cable Assembly
2.	11-680216-000	Connector
3.	11-680301-000	Terminal
4.	11-697231-000	Connector
5.	11-680326-000	Terminal

**Video All Select Cable Assembly
57-214486-000**



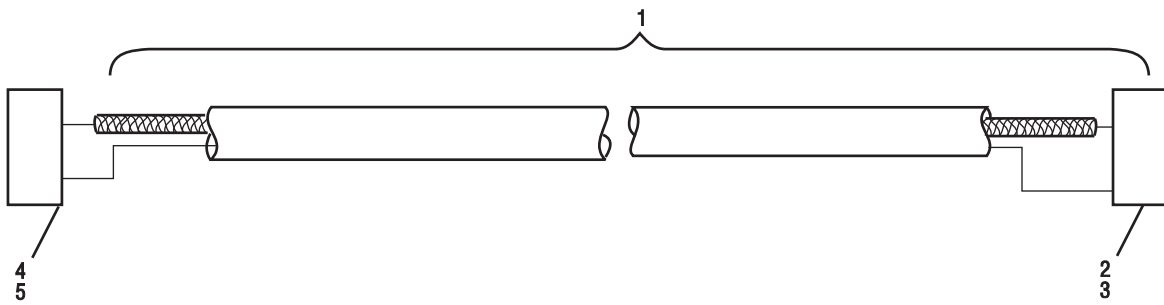
Index No.	Part No.	Description
1.	57-214507-000	Color Select Extension Cable Assembly
2.	11-680301-000	Terminal
3.	11-680205-000	Connector
4.	11-680302-000	Terminal
5.	11-680105-000	Connector

**Color Select Extension Cable Assembly
57-214507-000**



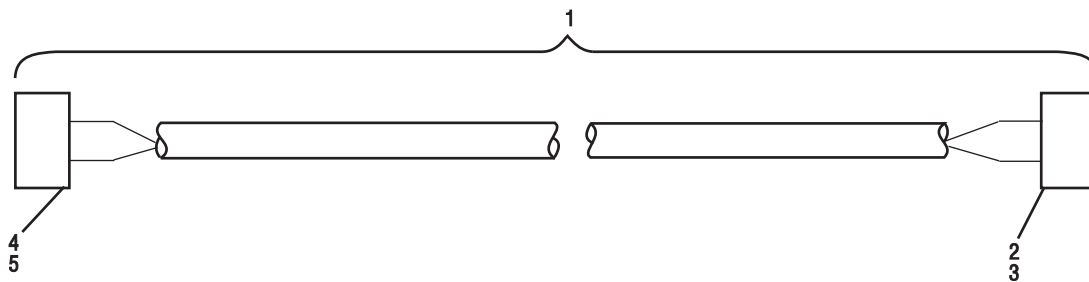
Index No.	Part No.	Description
1.	57-214508-000	Video/Scorer Control Extension Cable Assembly
2.	11-680301-000	Terminal
3.	11-680207-000	Receptacle
4.	11-680302-000	Terminal
5.	11-680107-000	Connector

**Video/Scorer Control Extension Cable
57-214508-000**



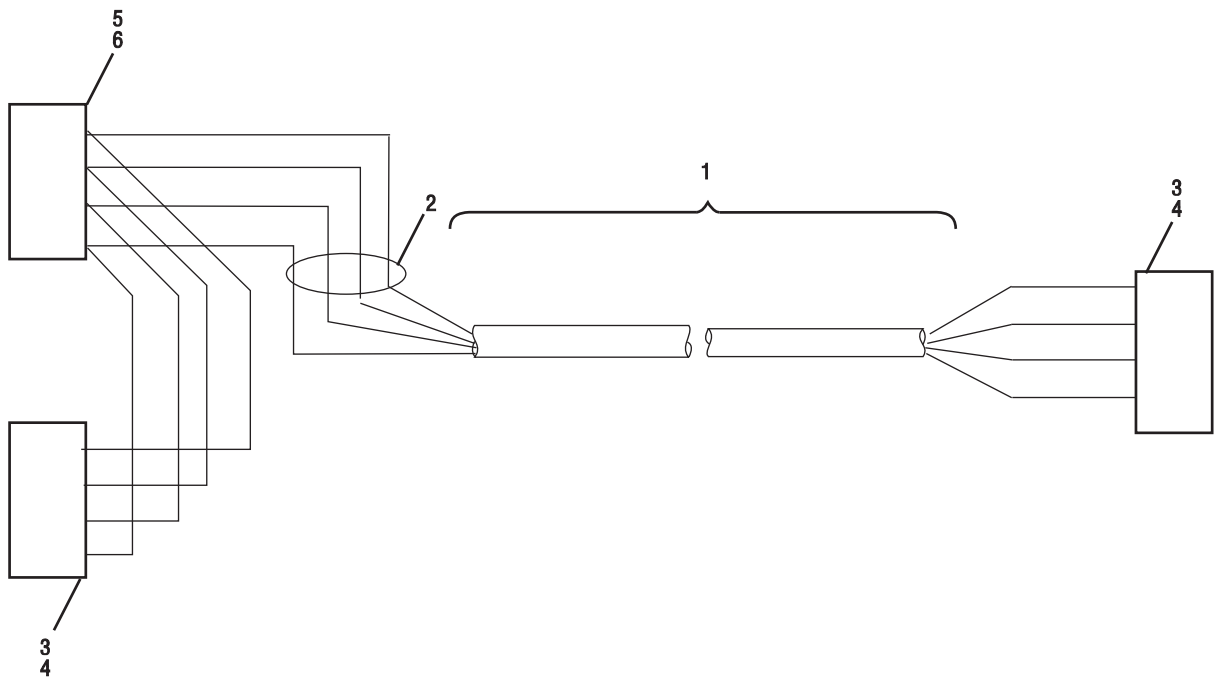
Index No.	Part No.	Description
1.	57-214510-000	Scorer Video Extension Cable Assembly
2.	11-680101-000	Connector
3.	11-680302-000	Terminal
4.	11-680301-000	Terminal
5.	11-680203-000	Receptacle

**Scorer Video Extension Cable Assembly
57-214510-000**



Index No.	Part No.	Description
1.	57-214511-000	Service Light Extension Cable Assembly
2.	11-680116-000	Receptacle
3.	11-680302-000	Terminal
4.	11-680216-000	Receptacle
5.	11-680301-000	Terminal

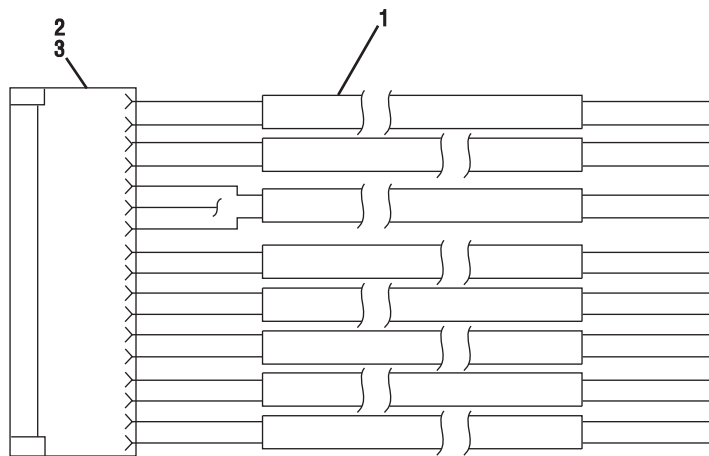
**Service Light Extension Cable Assembly
57-214511-000**



Index No.	Part No.	Description
1.	N.A.	Color Select Interconnect Cable Assembly
2.	11-603108-000	Cable Tie
3.	11-680105-000	Connector Plug
4.	11-680302-000	Terminal
5.	11-680205-000	Receptacle
6.	11-680301-000	Terminal

N.A. = No Longer Available As An Assembly

**Color Select Interconnect Cable Assembly
57-214515-000**

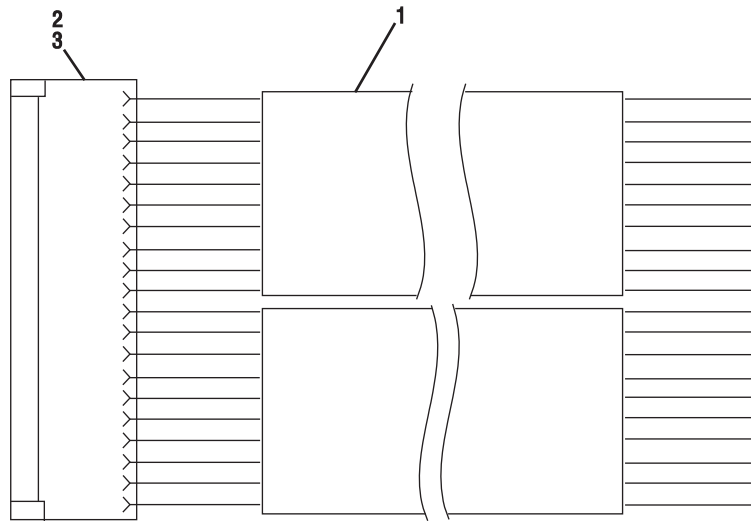


Index

No.	Part No.	Description
1.	N.A.	ASC Cable Assembly
2.	11-697241-000	Receptacle
3.	11-680323-000	Terminal

N.A. = No Longer Available As An Assembly

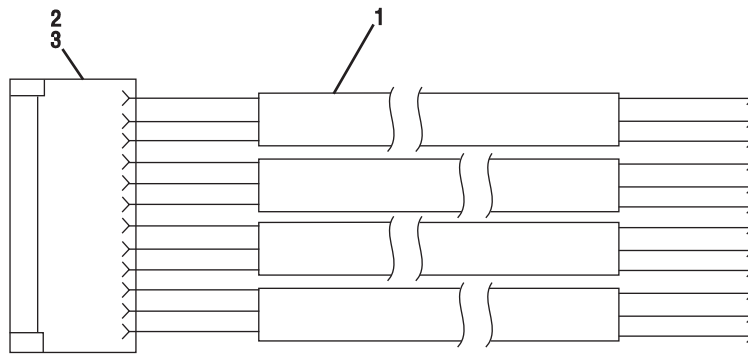
**ASC Cable Assembly
57-214580-000**



Index No.	Part No.	Description
1.	N.A.	Automatic Pinsetter Control Cable Assembly (to A/P Control Box)
2.	11-697240-000	Receptacle
3.	11-680323-000	Terminal

N.A. = No Longer Available As An Assembly

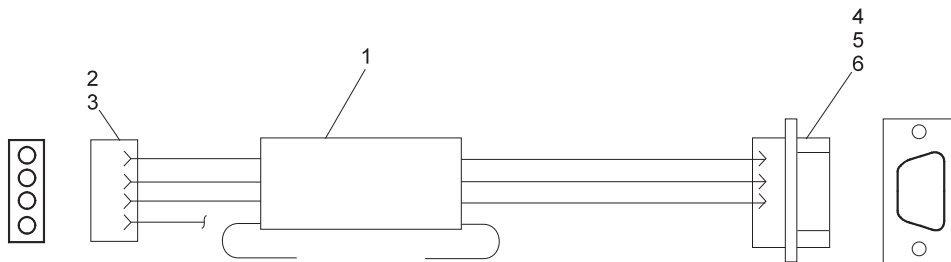
**Automatic Pinsetter Control Cable Assembly
(to A/P Control Box)
57-214581-000**



Index No.	Part No.	Description
1.	N.A.	Source Command to AS-80 Console Audio Cable Assembly
2.	11-697242-000	Receptacle
3.	11-680323-000	Terminal

N.A. = No Longer Available

**Source Command to AS-80 Console
 Audio Cable Assembly
 57-214582-000**

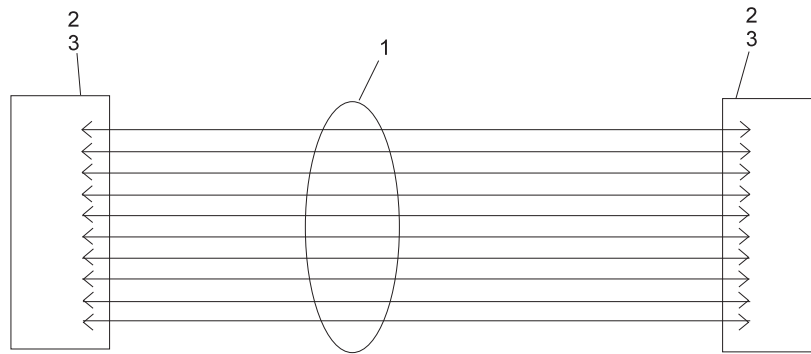


Index

No.	Part No.	Description
1.	N.A.	Overhead Comline to End Overhead Cable Assembly
2.	11-680205-000	Receptacle
3.	11-680301-000	Terminal
4.	11-680985-000	Plug
5.	11-680982-000	Terminal
6.	11-680980-000	Cover

N.A. = No Longer Available As An Assembly

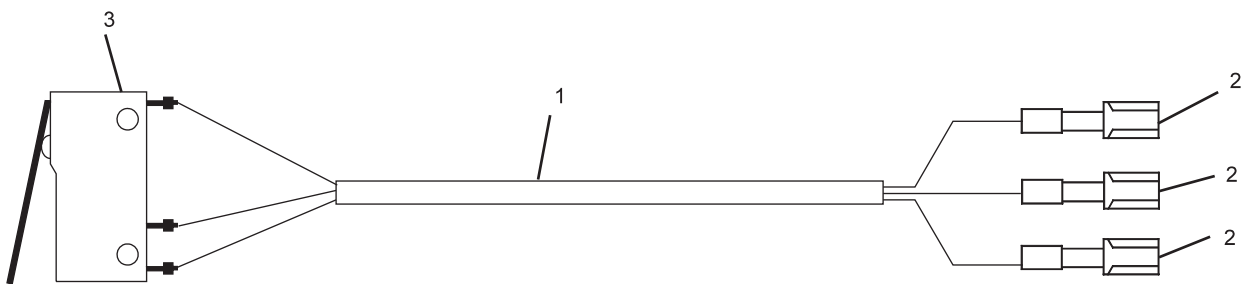
**Overhead Comline to End Overhead Cable Assembly
57-214583-000**



Index No.	Part No.	Description
1.	N.A.	Source Control to Source Command Comline Jumper Cable Assembly
2.	11-680975-000	Connector
3.	11-680976-000	Cover

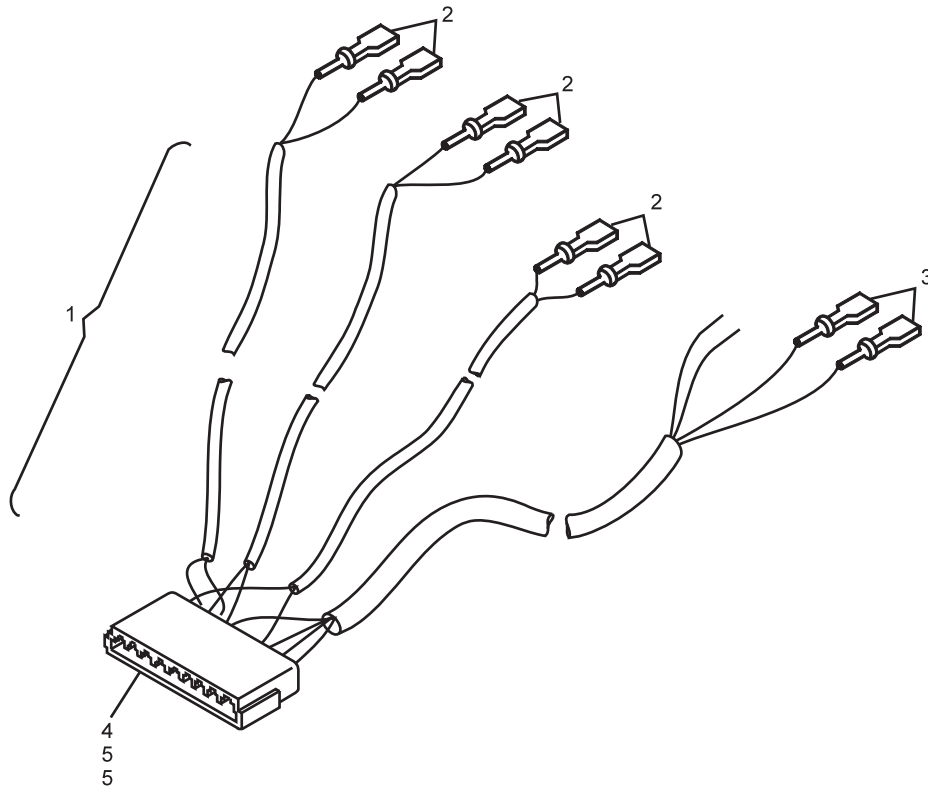
N.A. = No Longer Available As An Assembly

**Source Control to Source Command
 Comline Jumper Cable Assembly
 57-214584-000**



Index No.	Part No.	Description
1.	57-214588-000	Lever Switch Cable Assembly
2.	11-612152-000	Receptacle
3.	11-616054-000	Lever Switch

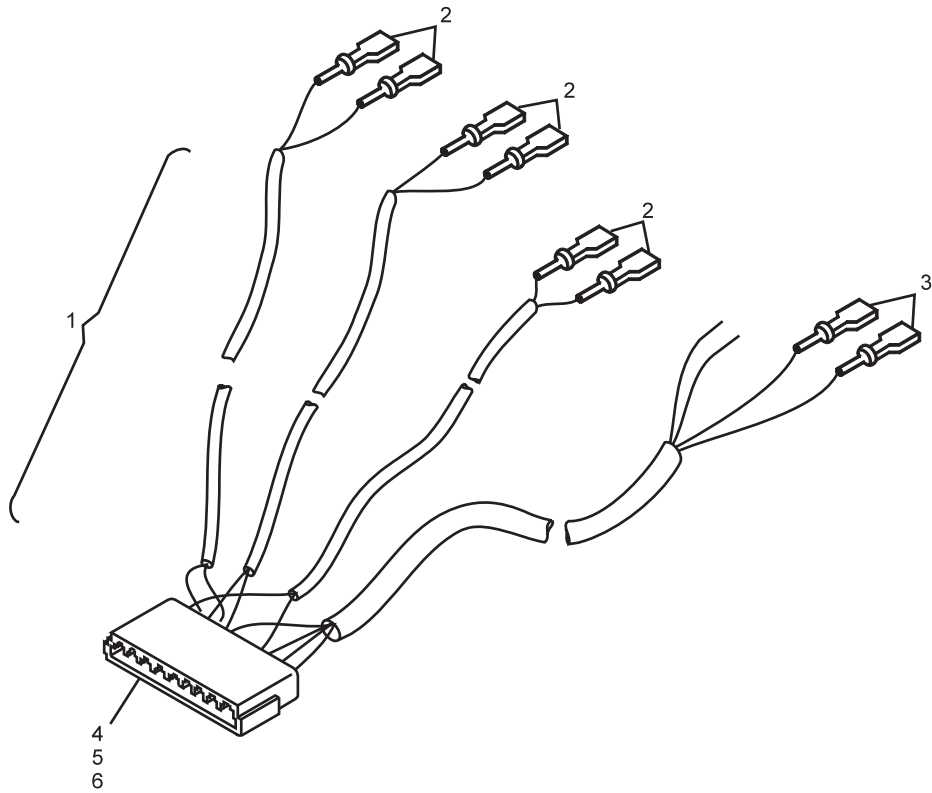
**Lever Switch Cable Assembly
57-214588-000**



Index No.	Part No.	Description
1.	57-214591-000	AMF Lane #1 Cable Assembly (82-30)
2.	11-612252-000	Receptacle
3.	11-612253-000	Receptacle
4.	11-680257-000	Edge Connector
5.	11-680303-000	Terminal
6.	*11-680260-000	Polarizing Key

*Not Illustrated

**AMF Lane #1 Cable Assembly with Timing Motor(82-30)
57-214591-000**

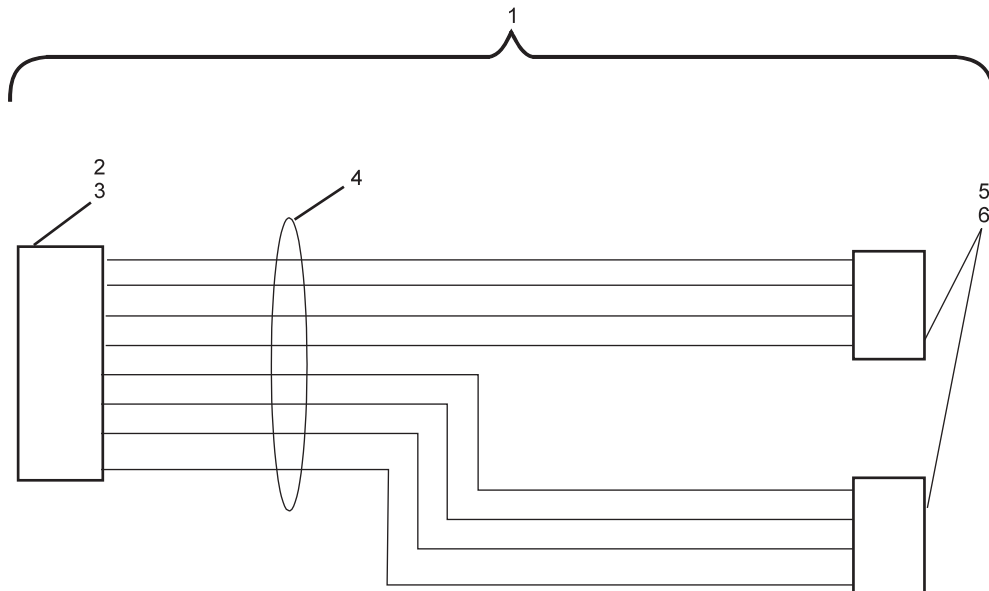


Index

No.	Part No.	Description
1.	57-214592-000	AMF Lane #2 Cable Assembly (82-30)
2.	11-612252-000	Receptacle
3.	11-612253-000	Receptacle
4.	11-680257-000	Edge Connector
5.	11-680303-000	Terminal
6.	*11-680260-000	Polarizing Key

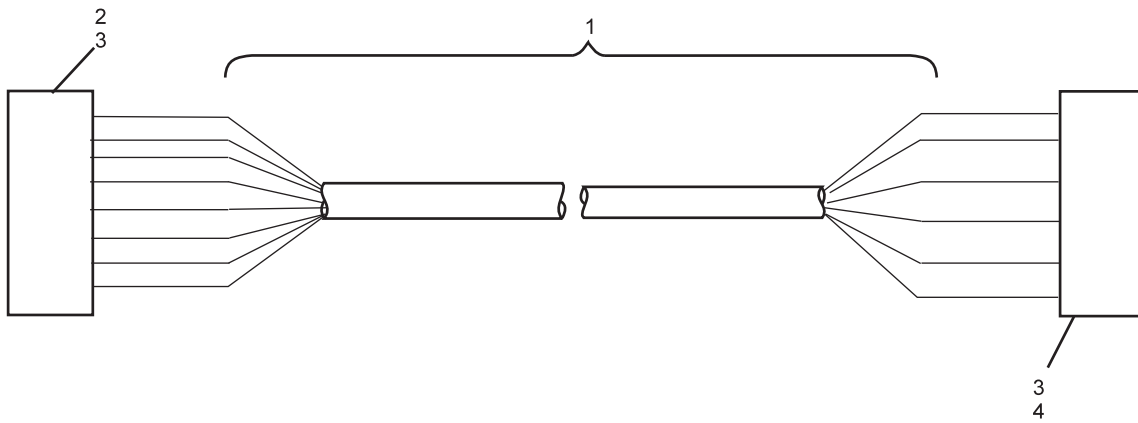
*Not Illustrated

**AMF Lane #2 Cable Assembly with Timing Motor(82-30)
57-214592-000**



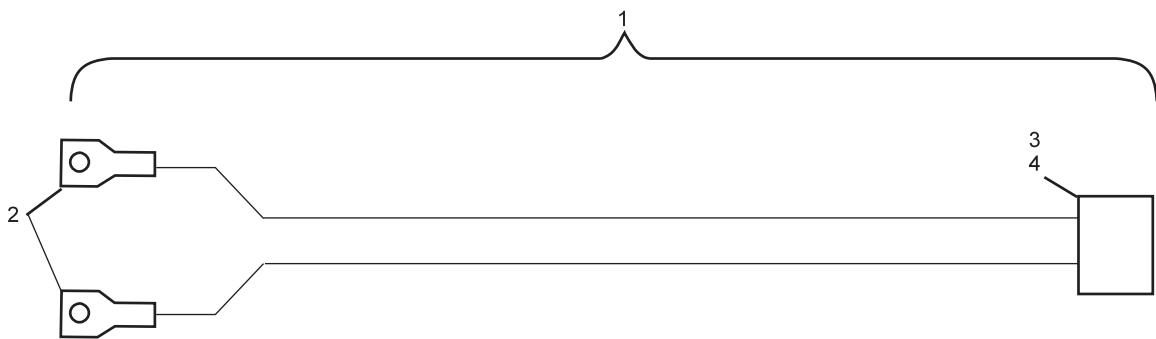
Index No.	Part No.	Description
1.	57-214727-000	Power Supply Cable Assembly
2.	11-697208-000	Connector
3.	11-680322-000	Terminal
4.	11-603108-000	Cable Tie
5.	11-697234-000	Connector
6.	11-680326-000	Terminal

**Power Supply Cable Assembly
57-214727-000**



Index No.	Part No.	Description
1.	57-214728-000	Audio/Logic Interconnect Cable Assembly
2.	11-697235-000	Connector
3.	11-680326-000	Terminal
4.	11-697232-000	Connector

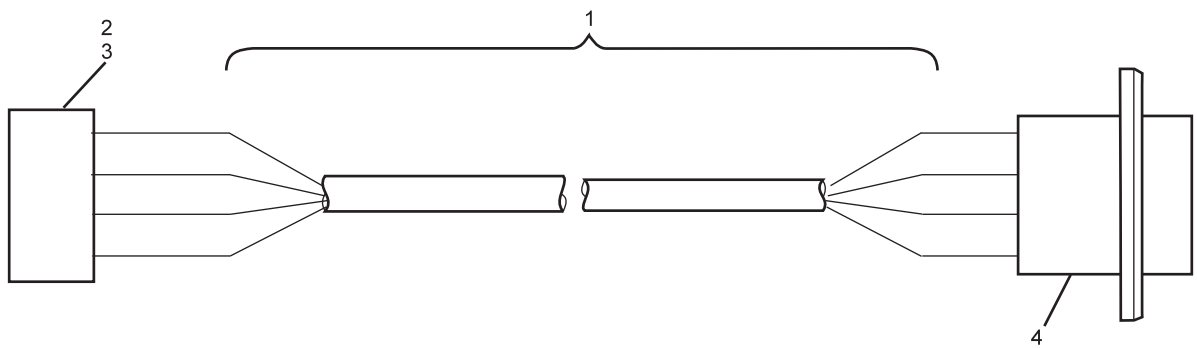
**Audio/Logic Interconnect Cable Assembly
57-214728-000**



Index No.	Part No.	Description
1.	N.A.	Comm Line Fuse Cable Assembly
2.	11-612253-000	Receptacle
3.	11-680326-000	Terminal
4.	11-697236-000	Connector

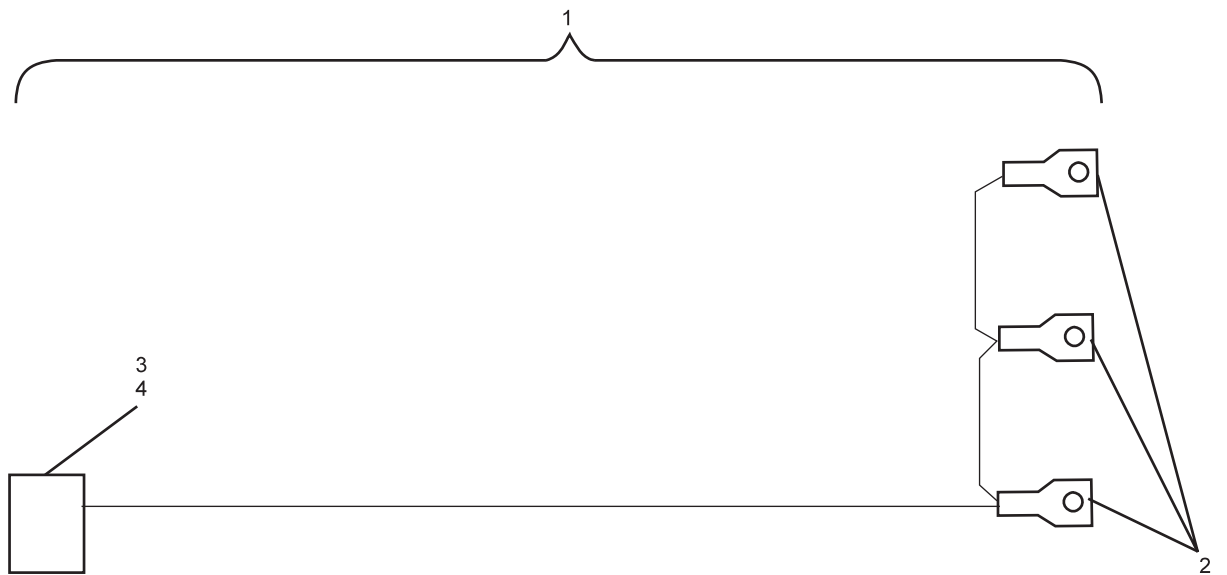
N.A. = No Longer Available As An Assembly

**Comm Line Fuse Cable Assembly
57-214729-000**



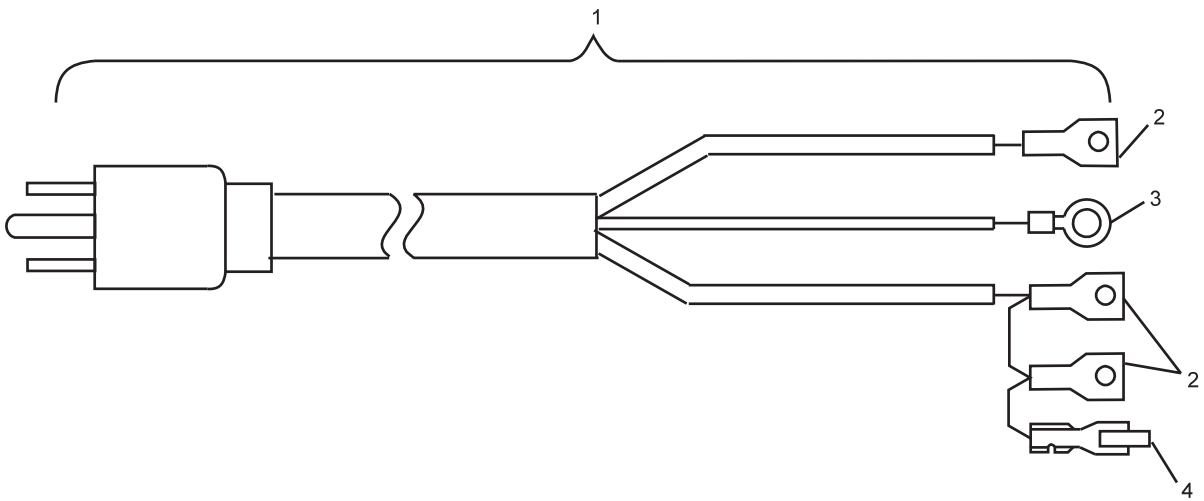
Index No.	Part No.	Description
1.	57-214730-000	Handset Cable Assembly
2.	11-697234-000	Connector
3.	11-680326-000	Terminal
4.	11-697248-000	Female Connector XLR Series

**Handset Cable Assembly
57-214730-000**



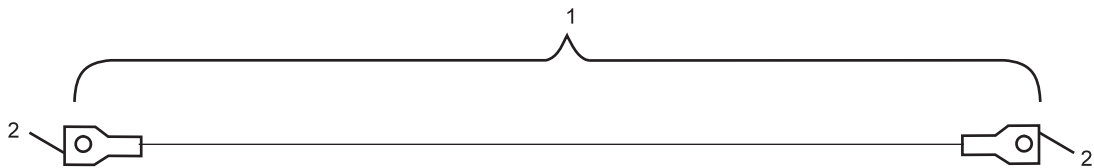
Index No.	Part No.	Description
1.	57-214732-000	AC Power Cable Assembly
2.	11-612253-000	Receptacle
3.	11-697201-000	Connector
4.	11-680322-000	Terminal

**AC Power Cable Assembly
57-214732-000**



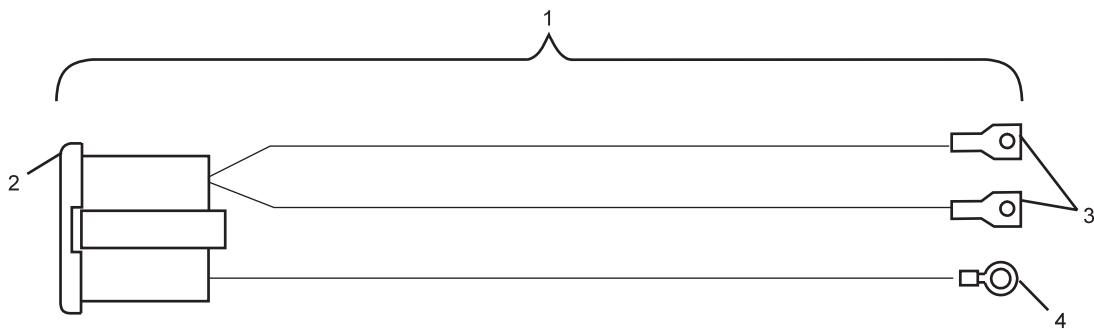
Index No.	Part No.	Description
1.	57-214733-000	Line Cord Cable Assembly
2.	11-612253-000	Receptacle
3.	11-612011-000	Connector
4.	11-680322-000	Terminal

**Line Cord Cable Assembly
57-214733-000**



Index No.	Part No.	Description
1.	57-214734-000	Switch Cable Assembly
2.	11-612253-000	Receptacle

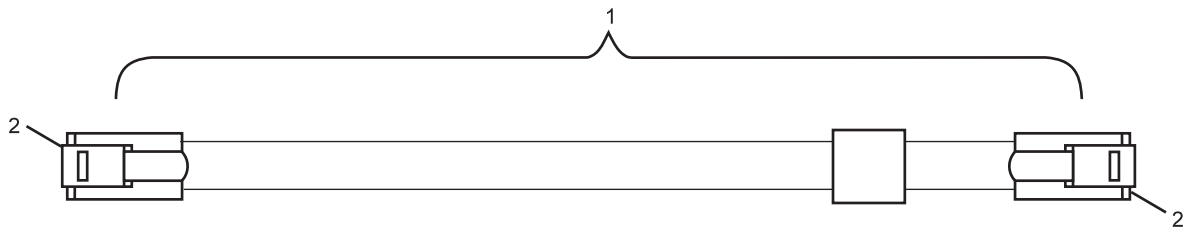
Switch Cable Assembly
57-214734-000



Index No.	Part No.	Description
1.	N.A.	Power Receptacle Assembly
2.	11-690542-000	Power Receptacle
3.	11-612502-000	Terminal Lug
4.	11-612011-000	Connector

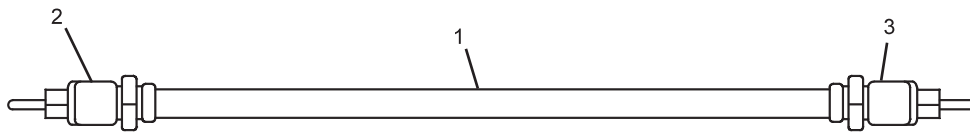
N.A. = No Longer Available As An Assembly

Power Receptacle Assembly
57-214735-000



Index No.	Part No.	Description
1.	57-214743-010	Keyboard Cable Assembly
2.	11-680177-002	Receptacle

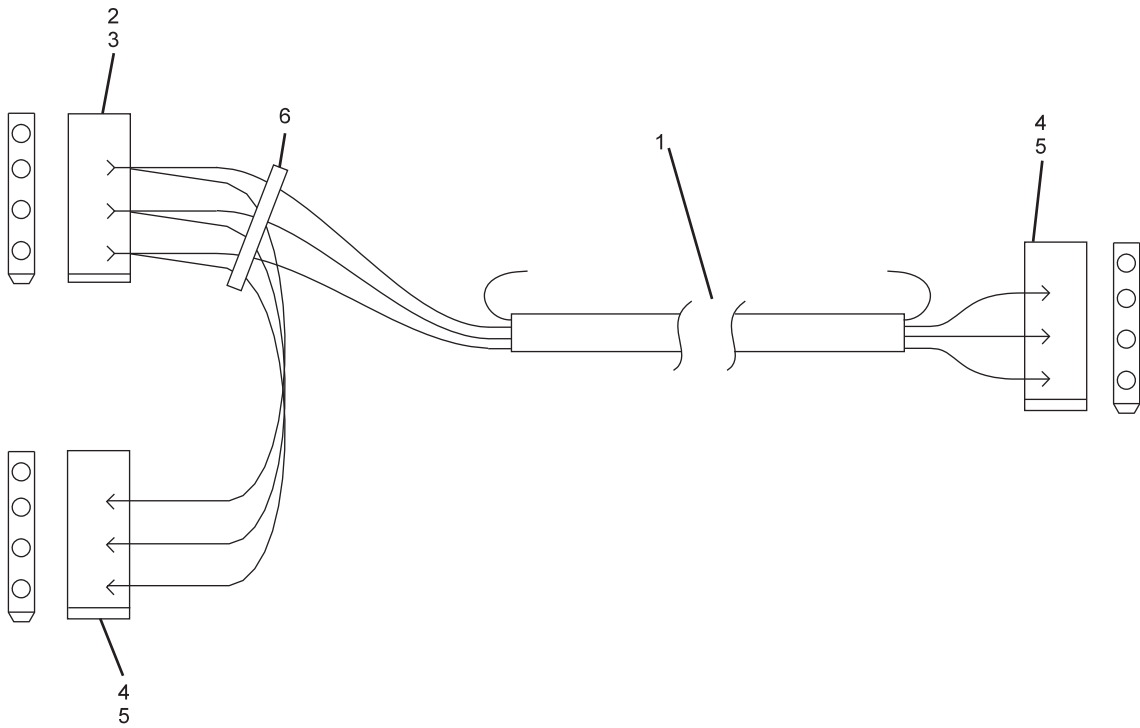
**Keyboard Cable Assembly
57-214743-010**



Index No.	Part No.	Description
1.	N.A.	VCR to Source Command Audio Cable Assembly
2.	11-690532-000	Connector
3.	11-690539-000	Connector

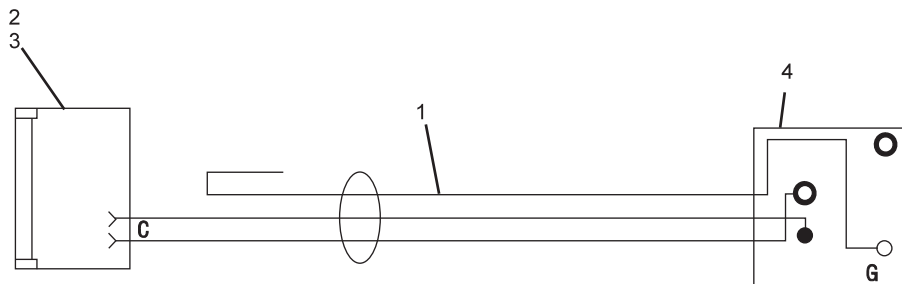
N.A. = No Longer Available As An Assembly

**VCR to Source Command
Audio Cable Assembly
57-214858-000**



Index No.	Part No.	Description
1.	57-214881-000	Overhead Comline Cable Assembly
2.	11-680205-000	Receptacle
3.	11-680301-000	Terminal
4.	11-680105-000	Connector
5.	11-680302-000	Terminal
6.	11-603108-000	Tie Wrap

**Overhead Comline Cable Assembly
57-214881-000**

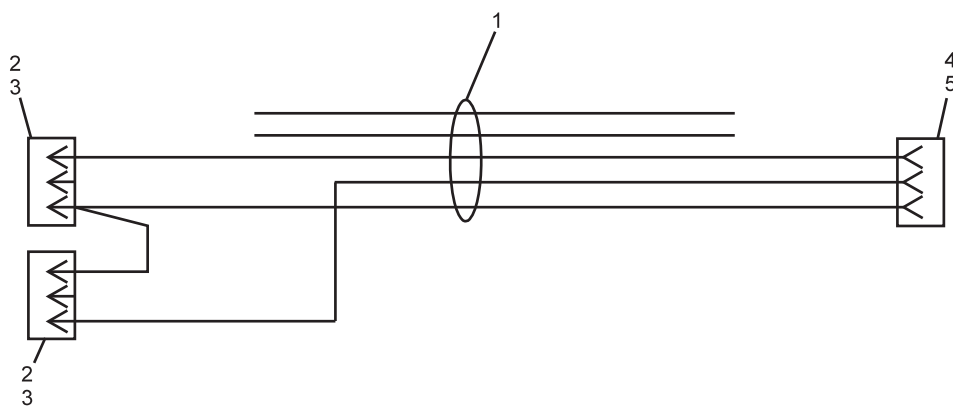


Index

No.	Part No.	Description
1.	N.A.	DTS Cable Assembly
2.	11-697238-000	Connector
3.	11-680323-000	Terminal
4.	N.A.	Phone Plug

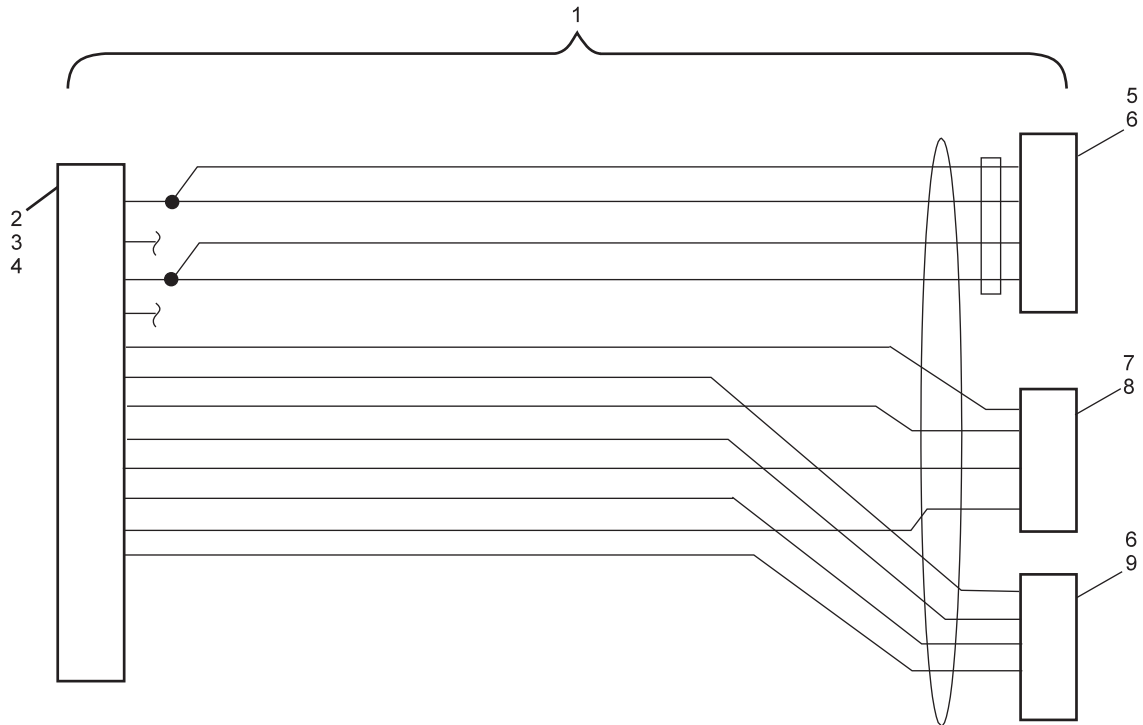
N.A. = No Longer Available As An Assembly

**DTS Cable Assembly
57-214883-000**



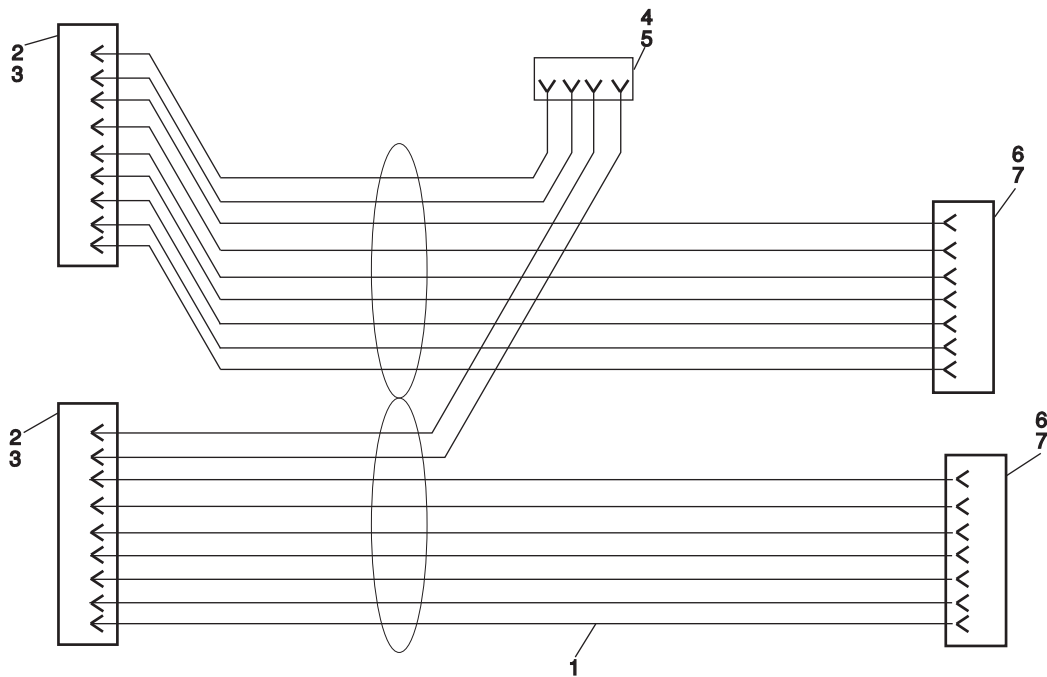
Index No.	Part No.	Description
1.	57-214894-000	Foul Pick Up Cable Assembly (Processor Box Mounted on Capping) 55'
2.	11-680101-000	Connector
3.	11-680302-000	Terminal
4.	11-697236-000	Receptacle
5.	11-680326-000	Terminal

Foul Pick Up Cable Assembly
(Processor Box Mounted on Capping) 55'
57-214894-000



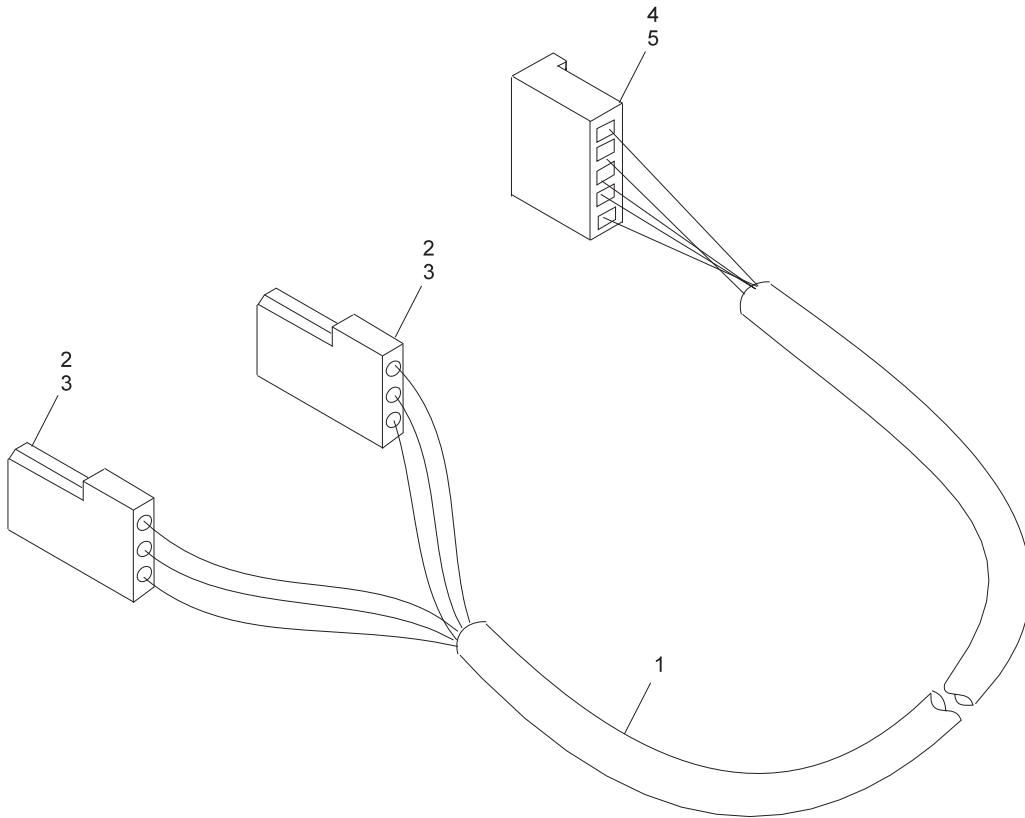
Index No.	Part No.	Description
1.	57-214895-000	A/C to Scanner Cable Assembly
2.	11-696801-000	Connector
3.	11-696927-000	Terminal
4.	11-680425-000	Polarizing Key
5.	11-697216-000	Connector
6.	11-680326-000	Terminal
7.	11-680105-000	Connector
8.	11-680302-000	Terminal
9.	11-697238-000	Connector

**A/C to Scanner Cable Assembly
57-214895-000**



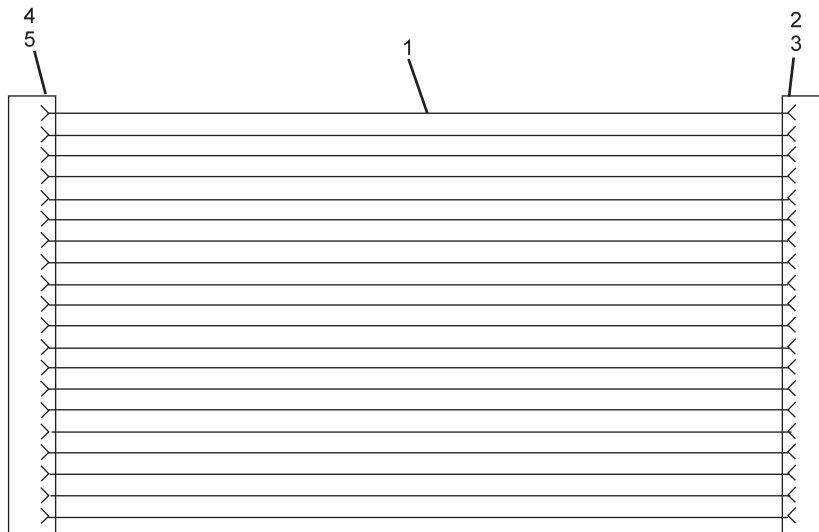
Index No.	Part No.	Description
1.	57-214896-000	Scanner to A.P. Cable Assembly
2.	11-680108-000	Connector
3.	11-680302-000	Terminal
4.	11-680205-000	Connector
5.	11-680301-000	Terminal
6.	11-697611-000	Connector
7.	11-680326-000	Terminal

**Scanner to A.P. Cable Assembly
57-214896-000**



Index No.	Part No.	Description
1.	57-214902-000	Ball Detector Cable Assembly
2.	11-680201-000	Receptacle
3.	11-680301-000	Terminal
4.	11-697239-000	Connector
5.	11-680326-000	Terminal

**Ball Detector Cable Assembly
57-214902-000**

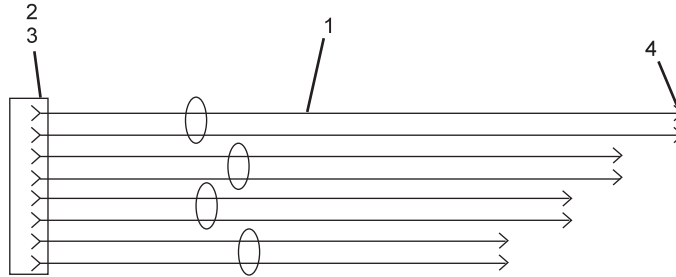


Index

Index No.	Part No.	Description
1.	N.A.	A/P Control Cable Assembly (to AMF Source Command Interface Box)
2.	11-697212-000	Connector
3.	11-680322-000	Terminal
4.	11-697240-000	Connector
5.	11-680323-000	Terminal

N.A. = No Longer Available As An Assembly

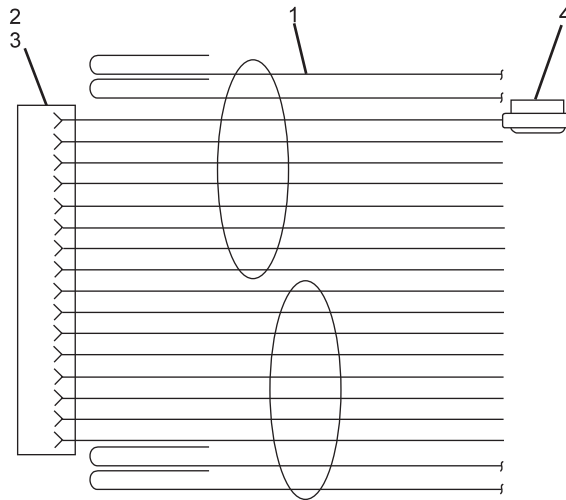
A/P Control Cable Assembly
(to AMF Source Command Interface Box)
57-214910-000



Index No.	Part No.	Description
1.	N.A.	AS-80 Console Control Cable Assembly
2.	11-697208-000	Connector
3.	11-680322-000	Terminal
4.	11-696927-000	Terminal

N.A. = No Longer Available As An Assembly

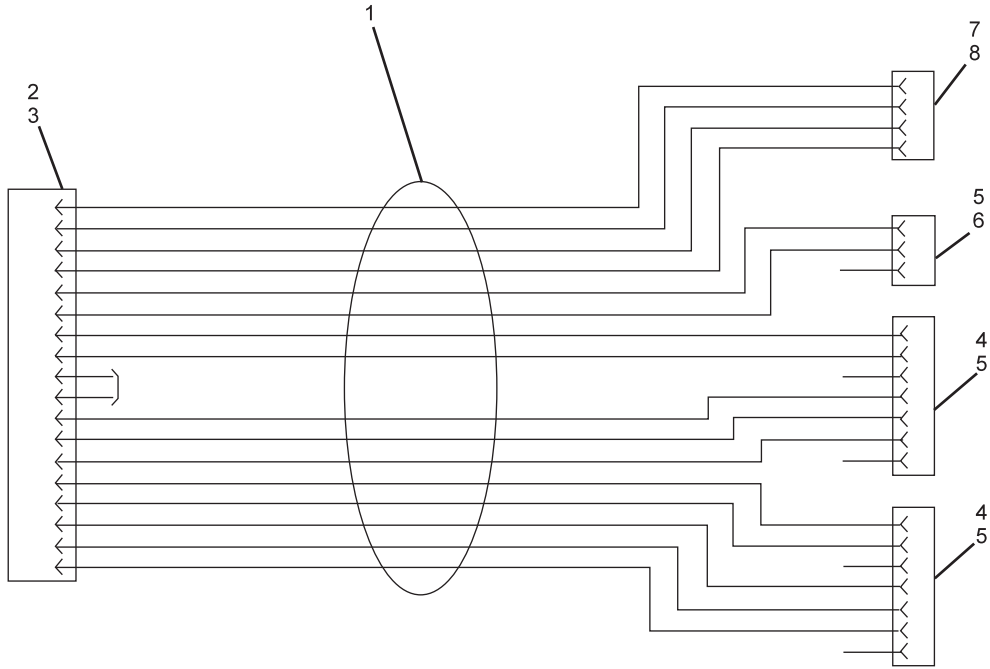
**AS-80 Console Control Cable Assembly
57-214912-000**



Index No.	Part No.	Description
1.	N.A.	AMF Pinspotter Control Cable Assembly
2.	11-697209-000	Connector
3.	11-680322-000	Terminal
4.	11-609555-000	Tap Lock

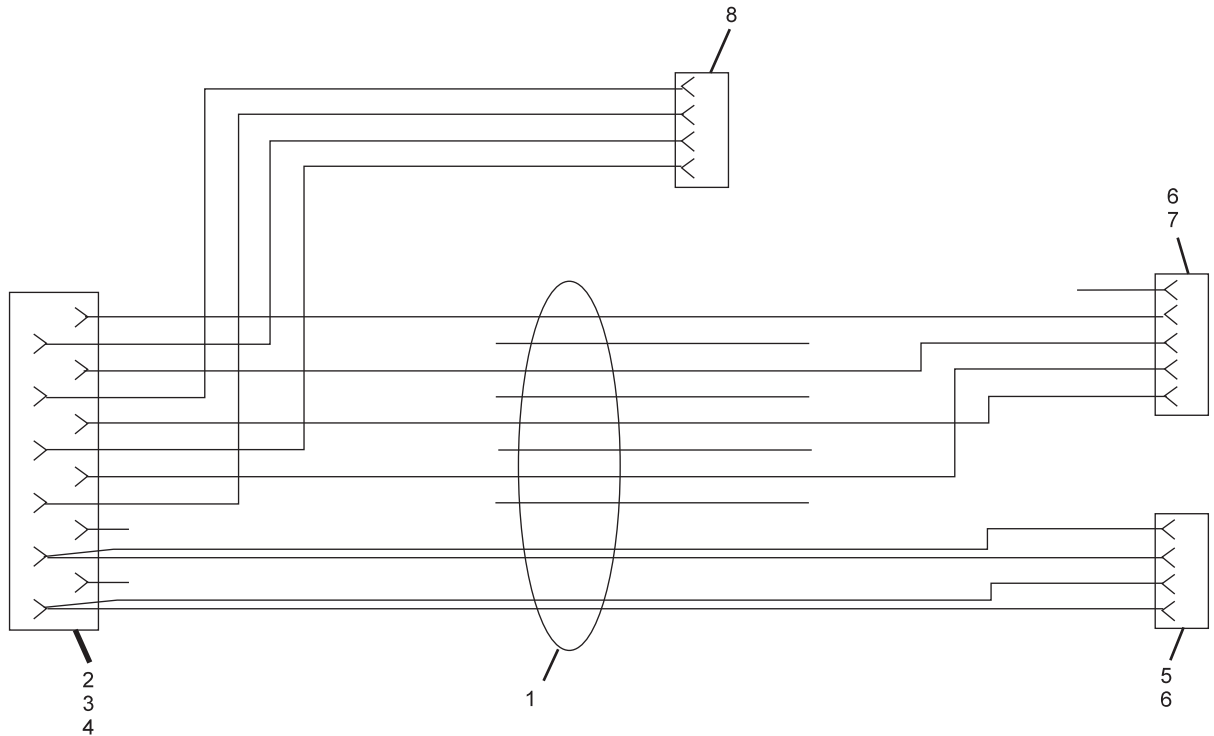
N.A. = No Longer Available As An Assembly

**AMF Pinspotter Control Cable Assembly
57-214913-000**



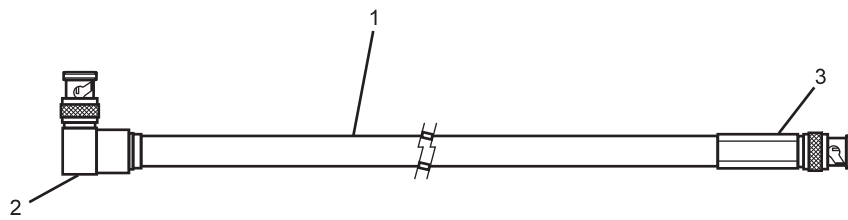
Index No.	Part No.	Description
1.	57-214927-000	AMF Interface to Model 86 Scanner or CCD Processor
2.	11-680261-000	Connector
3.	11-680303-000	Terminal
4.	11-697611-000	Connector
5.	11-680326-000	Terminal
6.	11-697237-000	Connector
7.	11-680301-000	Terminal
8.	11-680205-000	Connector

**AMF Interface to Model 86 Scanner or CCD Processor
57-214927-000**



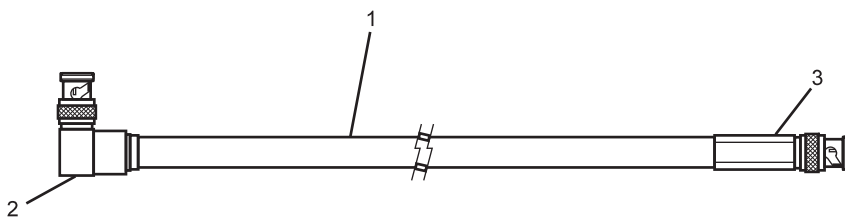
Index No.	Part No.	Description
1.	57-215054-000	A.C. to Scanner Cable Assembly
2.	11-696801-000	Connector
3.	11-696927-000	Crimp Terminal
4.	11-680425-000	Polarizing Key
5.	11-697238-000	Connector
6.	11-680326-000	Crimp Terminal
7.	11-697216-000	Connector
8.	57-215236-000	Cable Assembly

**A.C. to Scanner Cable Assembly
57-215054-000**



Index No.	Part No.	Description
1.	57-215167-000	Camera Video Coax Cable Assembly (Processor Box Mounted on Capping) 33"
2.	11-690249-000	Connector - BNC
3.	11-696264-000	Connector - BNC

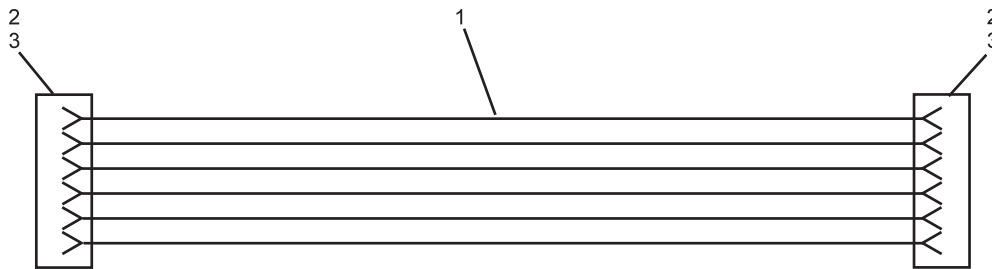
Camera Video Coax Cable Assembly
(Processor Box Mounted on Capping) 33"
57-215167-000



Index No.	Part No.	Description
1.	N.A.	Camera Clock Coax Cable Assembly (Processor Box Mounted on Capping) 21"
2.	11-690249-000	Connector - BNC
3.	11-696264-000	Connector - BNC

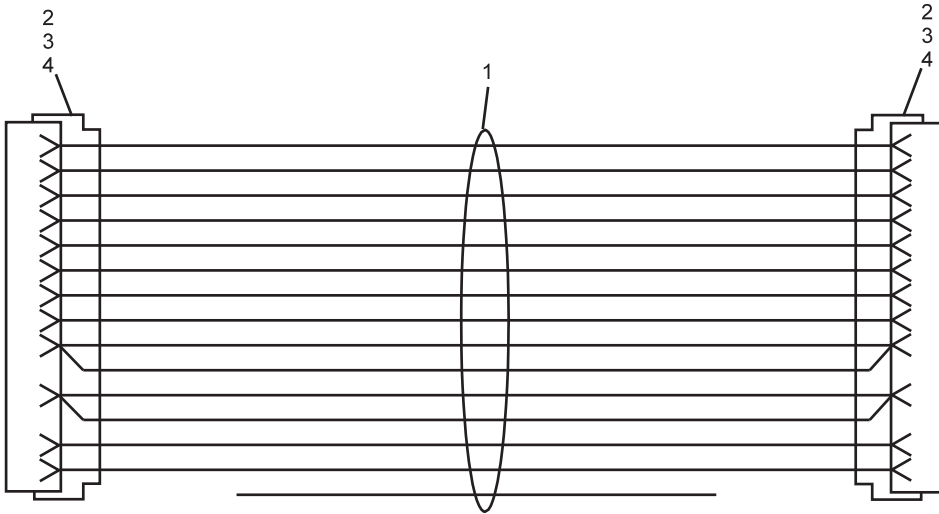
N.A. = No Longer Available As An Assembly

Camera Clock Coax Cable Assembly
(Processor Box Mounted on Capping) 21"
57-215168-000



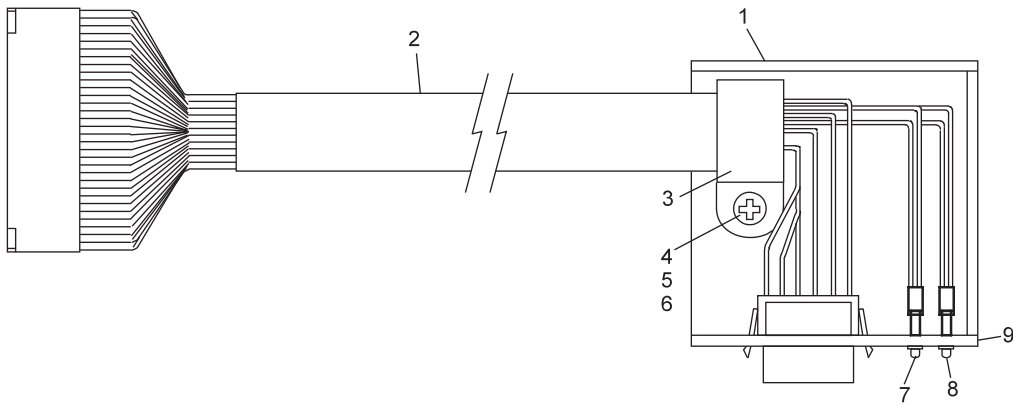
Index No.	Part No.	Description
1.	57-215169-000	Processor Cable Assembly (Processor Box Mounted on Capping) 33"
2.	11-692306-000	Connector
3.	11-692091-000	Terminal

Processor Cable Assembly
(Processor Box Mounted on Capping) 33"
57-215169-000



Index No.	Part No.	Description
1.	57-215171-000	Test Set to Camera Bracket Cable Assembly
2.	11-692091-000	Connector
3.	11-692312-000	Connector
4.	11-692080-000	Strain Relief

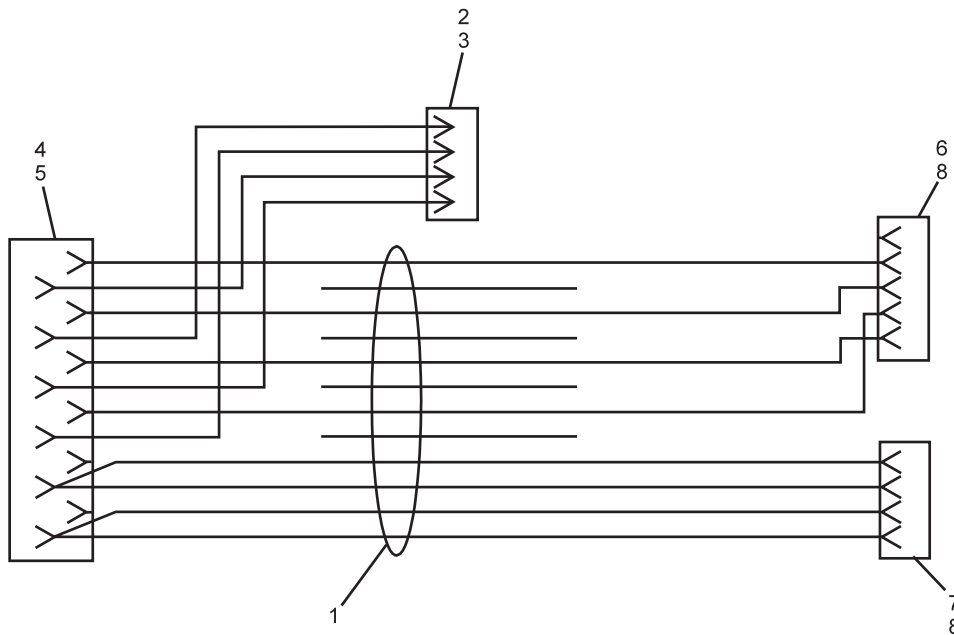
**Test Set to Camera Bracket Cable Assembly
57-215171-000**



Index No.	Part No.	Description
1.	57-215172-000	LED Camera Cable Assembly
2.	57-215210-000	LED Cable Assembly
3.	11-604104-000	Cable Clamp
4.	11-012308-001	Pan Hd. C.R. Screw (#8-32 x 3/8")
5.	11-195008-001	Lock Washer (#8)
6.	11-125003-001	Hex Nut
7.	11-680806-000	LED
8.	11-680807-000	LED
9.	N.A.	Cable Assembly Bracket

N.A. = No Longer Available

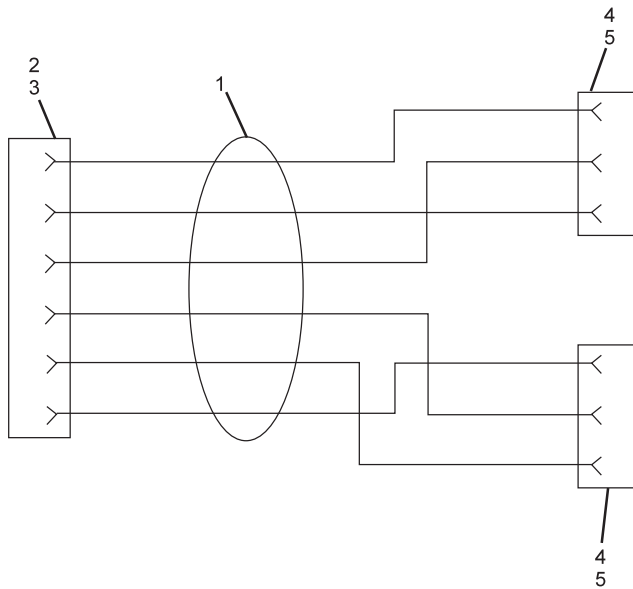
**LED Camera Cable Assembly
57-215172-000**



Index No.	Part No.	Description
1.	N.A.	A.C. to Camera Cable Assembly (Processor Box Mounted on Capping) 85'
2.	11-692204-000	Connector
3.	11-692090-000	Terminal
4.	11-696801-000	Connector
5.	11-696927-000	Terminal
6.	11-697216-000	Connector
7.	11-697238-000	Connector
8.	11-680326-000	Terminal

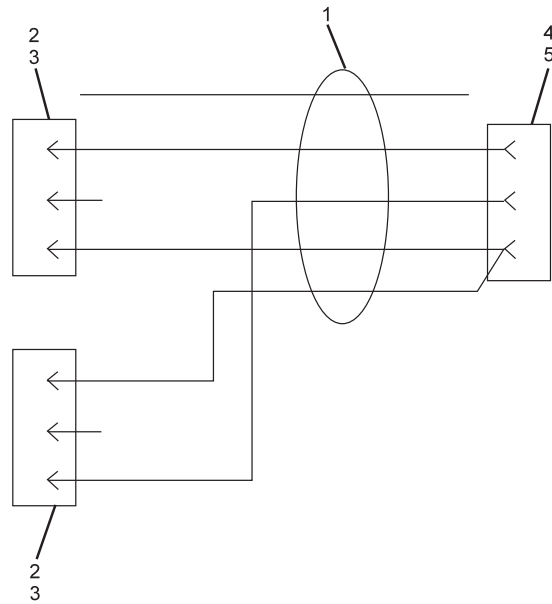
N.A. = No Longer Available As An Assembly

A.C. to Camera Cable Assembly
(Processor Box Mounted on Capping) 85'
57-215229-000



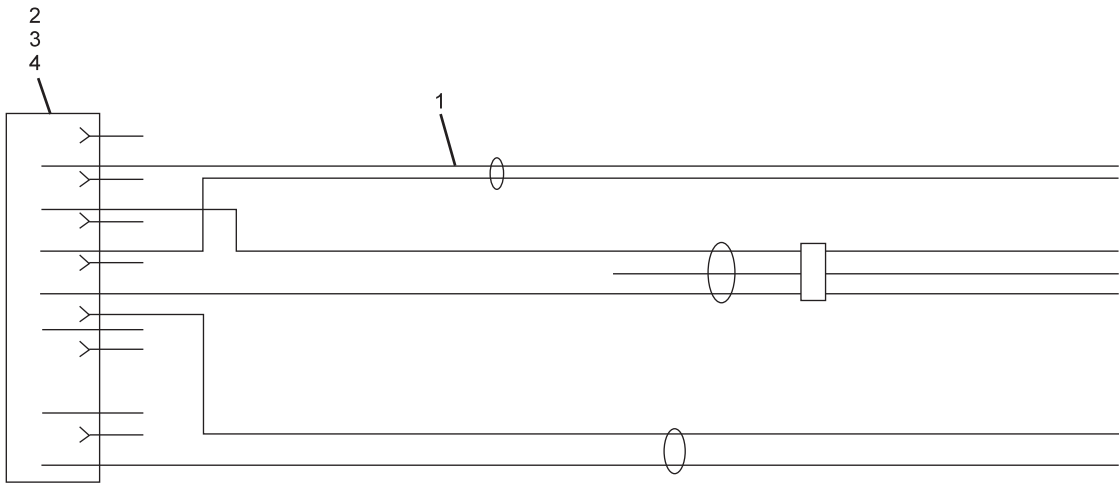
Index No.	Part No.	Description
1.	57-215230-000	Ball Detect String Machine Interface Cable Assembly
2.	11-697239-000	Connector
3.	11-680326-000	Terminal
4.	11-680201-000	Connector
5.	11-680301-000	Terminal

**Ball Detect String Machine Interface Cable Assembly
57-215230-000**



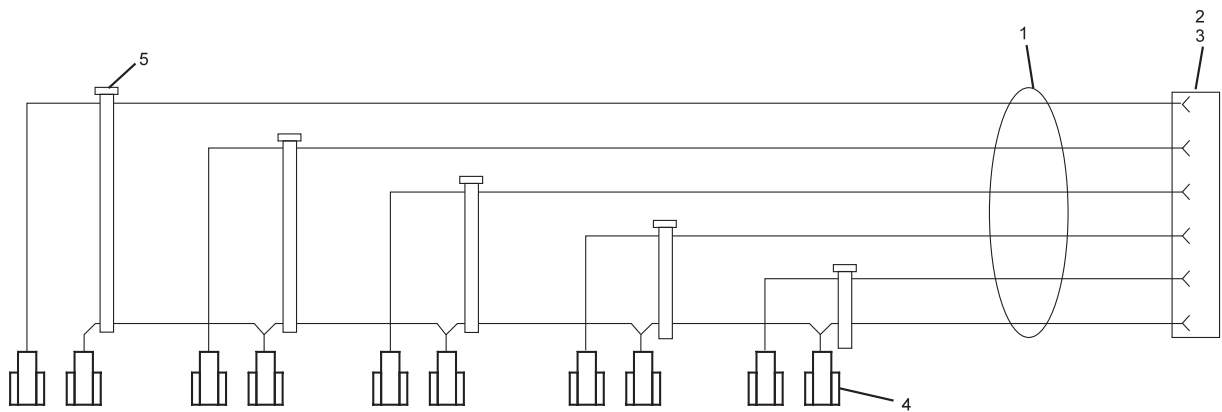
Index No.	Part No.	Description
1.	57-215231-000	Foul String Machine Interface Cable Assembly
2.	11-680101-000	Connector
3.	11-680302-000	Terminal
4.	11-697236-000	Connector
5.	11-680326-000	Terminal

**Foul String Machine Interface Cable Assembly
57-215231-000**



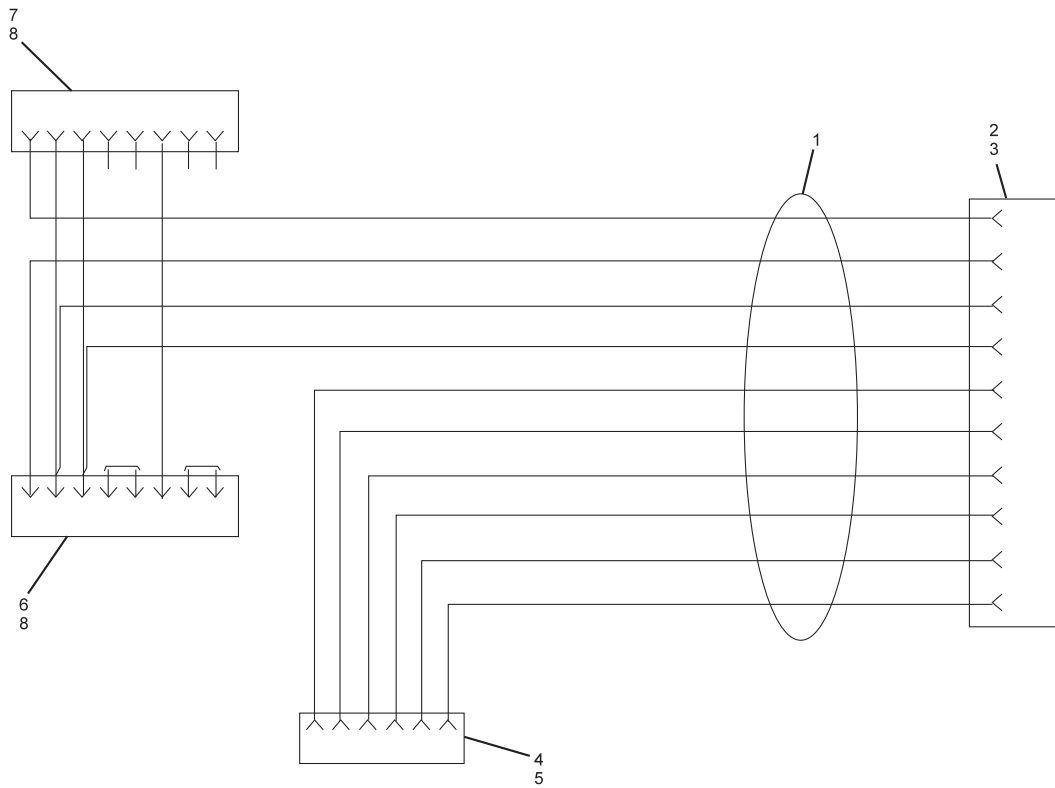
Index No.	Part No.	Description
1.	57-215241-000	Main Comline to A/C PCB Cable Assembly
2.	11-696803-000	Connector
3.	11-696927-000	Terminal
4.	11-680425-000	Polarizing Key

**Main Comline to A/C PCB Cable Assembly
57-215241-000**



Index No.	Part No.	Description
1.	57-215265-000	Pin Data Model "M" 5 Pin String Interface Cable Assembly
2.	11-680302-000	Terminal
3.	11-680107-000	Connector
4.	11-612151-000	Insulated Terminal
5.	11-603108-000	Cable Tie

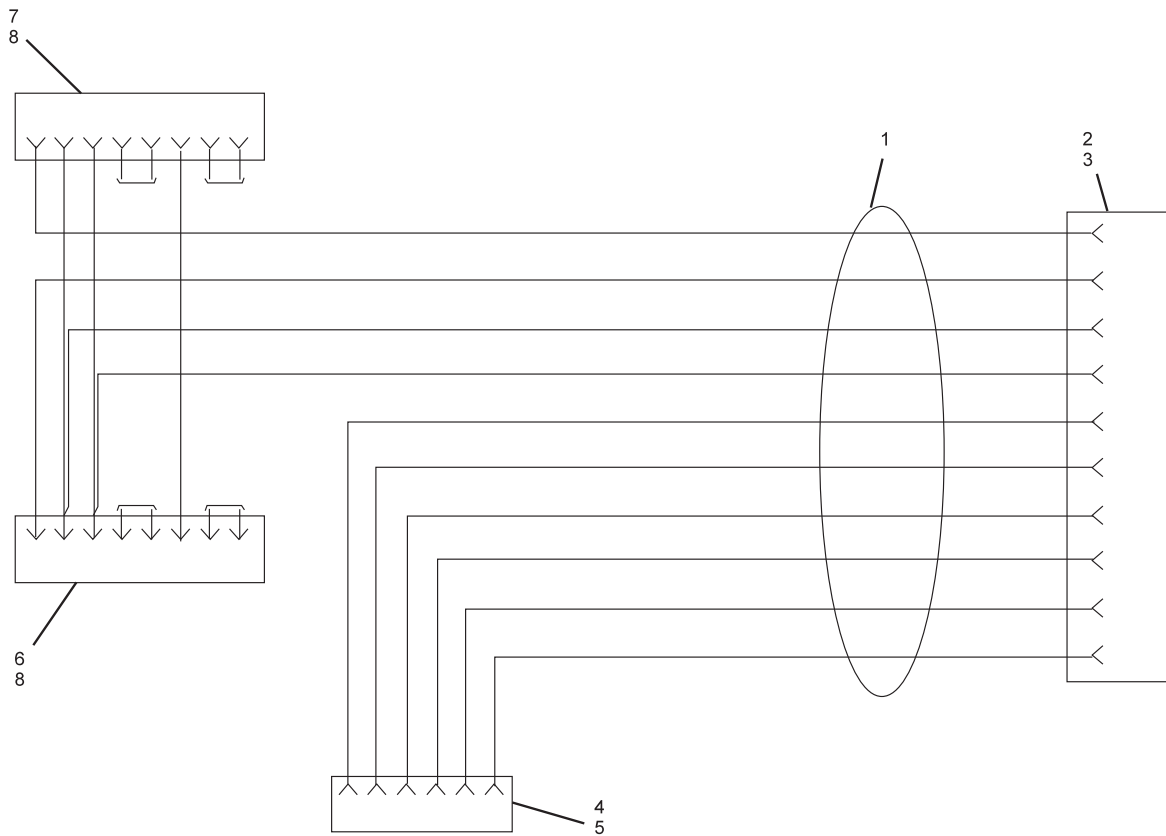
**Pin Data Model "M" 5 Pin
 String Interface Cable Assembly
 57-215265-000**



Index No.	Part No.	Description
1.	57-215266-000	LN2 A.P. Model "M" 5 Pin String Interface Cable Assembly
2.	11-680326-000	Terminal
3.	11-697218-000	Connector
4.	11-680301-000	Terminal
5.	11-680215-000	Connector
6.	N.A.	Connector
7.	11-678907-000	Connector
8.	11-678909-000	Cable Clamp

N.A. = No Longer Available

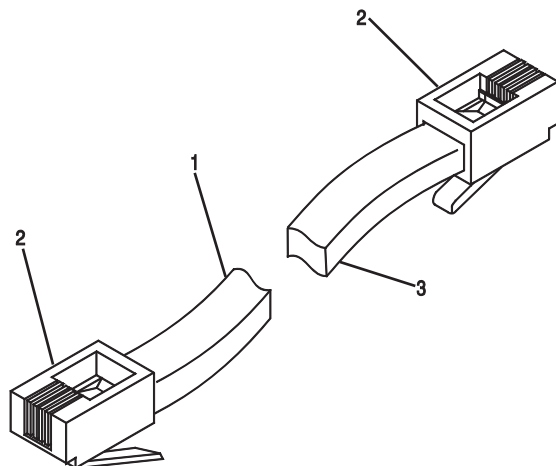
**LN2 A.P. Model "M" 5 Pin
 String Interface Cable Assembly
 57-215266-000**



Index No.	Part No.	Description
1.	57-215267-000	LN1 A.P. Model "M" 5 Pin String Interface Cable Assembly
2.	11-680326-000	Terminal
3.	11-697218-000	Connector
4.	11-680301-000	Terminal
5.	11-680215-000	Connector
6.	N.A.	Connector
7.	11-678907-000	Connector
8.	11-678909-000	Cable Clamp

N.A. = No Longer Available

**LN1 A.P. Model "M" 5 Pin
 String Interface Cable Assembly
 57-215267-000**

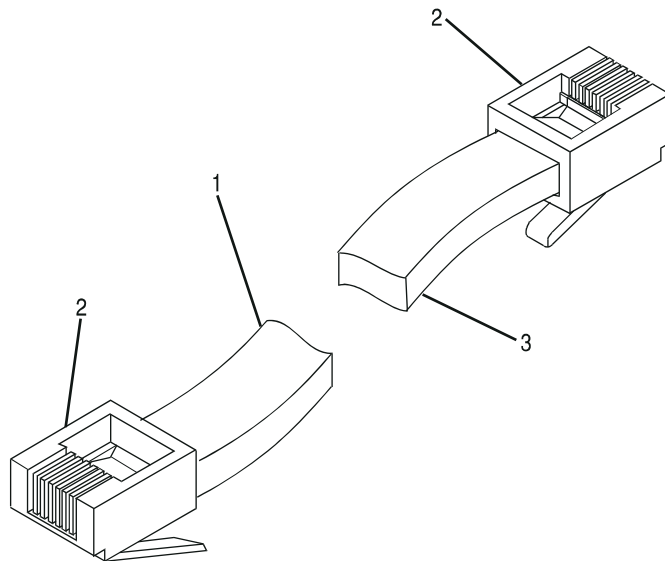


Index

No.	Part No.	Description
1.	N.A.	Communications Cable Assembly
2.	11-680177-003	4 Position Modular Line-Cord Connector
3.	27-619042-000	Bulk Wire, 4 Conductor Phone Cable

N.A. = Not available as an assembly

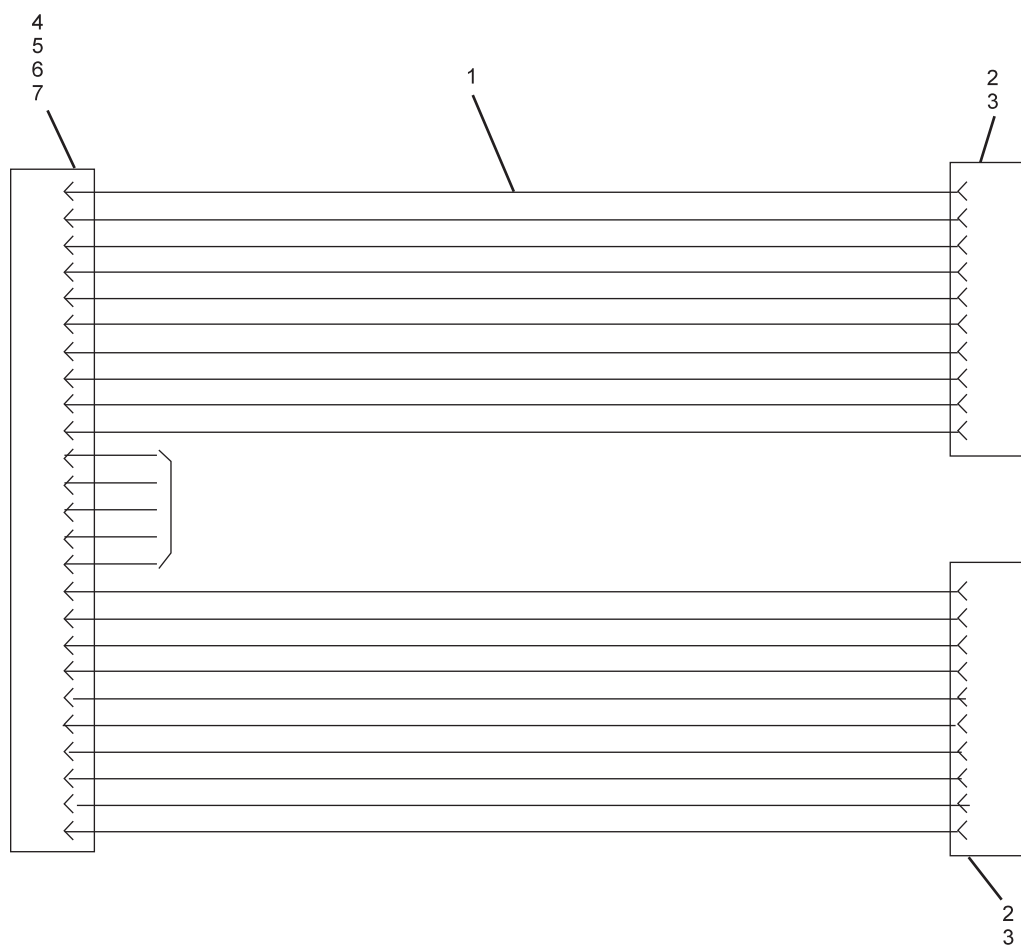
**Communications Cable Assembly
(Field Assembled)
57-215284-000**



Index No.	Part No.	Description
1.	N.A.	Communications Cable Assembly
2.	11-680177-002	6 Position Modular Line-Cord Connector
3.	27-619040-000	Bulk Wire, 6 Conductor Phone Cable

N.A. = Not available as an assembly

Communications Cable Assembly
(Field Assembled)
57-215288-000

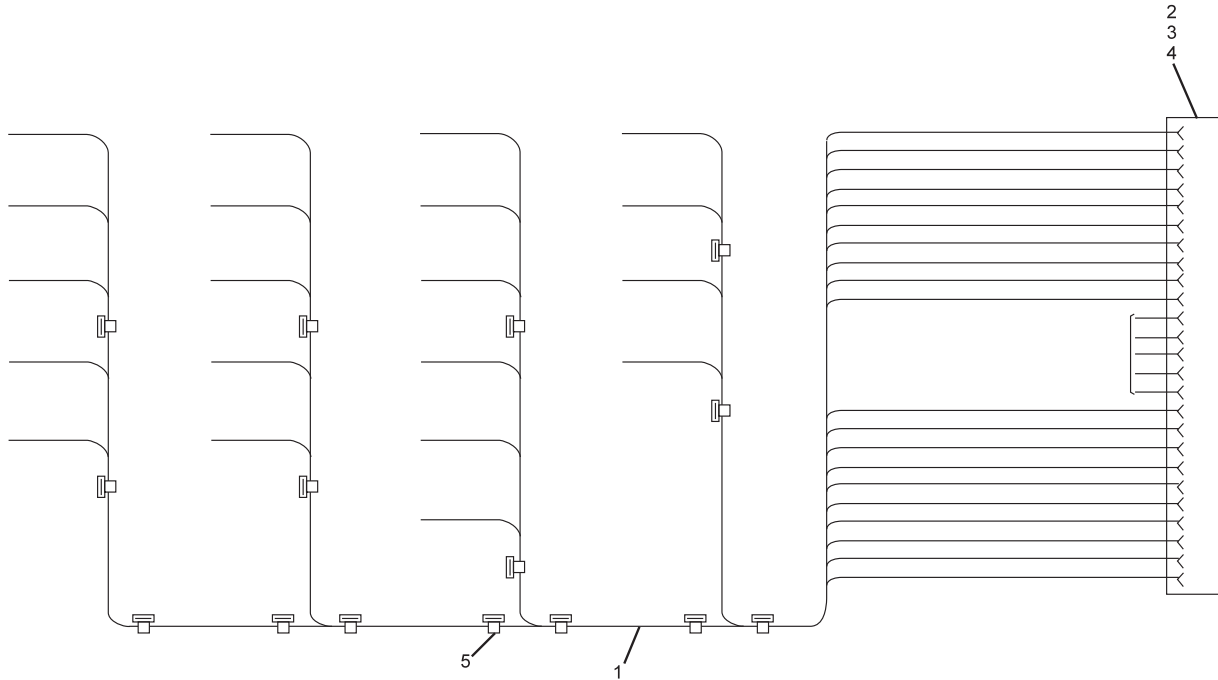


Index

No.	Part No.	Description
1.	N.A.	A.P. Model "P" 5 String Cable Assembly
2.	11-697218-000	Connector
3.	11-680326-000	Terminal
4.	11-680977-000	Connector
5.	11-680981-000	Contact
6.	11-680979-000	Cover
7.	11-680988-000	Screw Retainer

N.A. = No Longer Available As An Assembly

**A.P. Model "P" 5 String
Cable Assembly
57-215325-000**

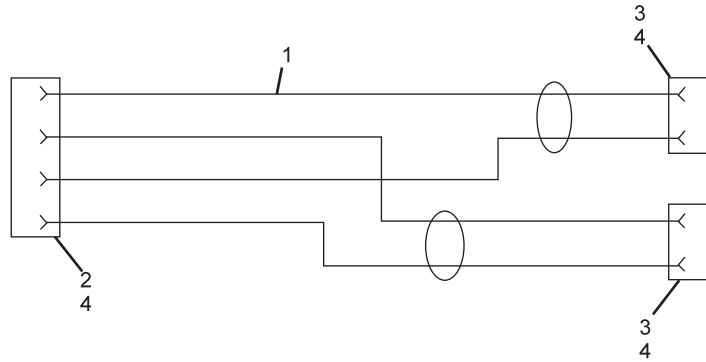


Index

No.	Part No.	Description
1.	N.A.	A.P. Wire Harness Model "P" 5 String Cable Assembly
2.	11-680978-000	Connector
3.	11-680983-000	Contact
4.	11-680989-000	Screw Lock
5.	11-603108-000	Cable Tie

N.A. = No Longer Available As An Assembly

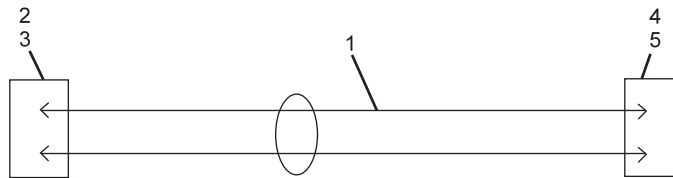
**A.P. Wire Harness Model "P"
5 String Cable Assembly
57-215326-000**



Index No.	Part No.	Description
1.	N.A.	CPU to 27" Overhead Scorer Video Coax Cable Assembly
2.	11-697202-000	Connector
3.	11-697204-000	Connector
4.	11-680322-000	Terminal

N.A. = No Longer Available As An Assembly

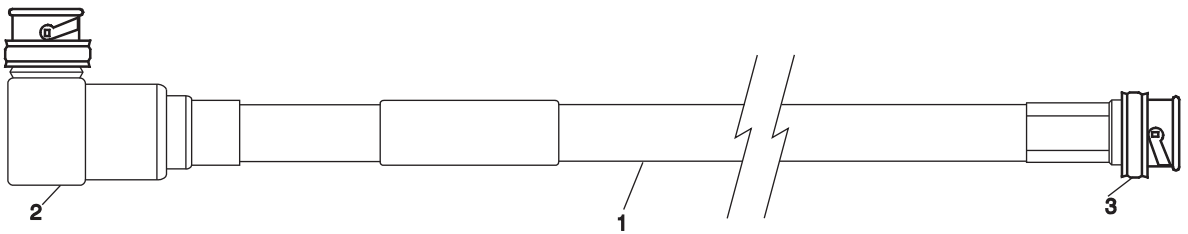
**CPU to 27" Overhead Scorer
 Video Coax Cable Assembly
 57-215370-000**



Index No.	Part No.	Description
1.	N.A.	CPU to 27" Overhead Service Light Cable Assembly
2.	11-680116-000	Connector
3.	11-680302-000	Terminal
4.	11-697204-000	Connector
5.	11-680322-000	Terminal

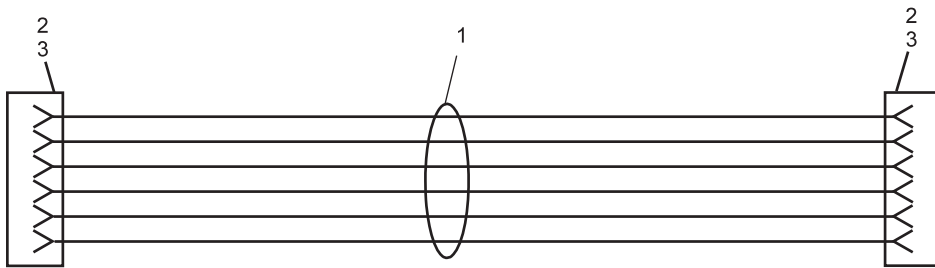
N.A. = No Longer Available As An Assembly

**CPU to 27" Overhead
 Service Lamp Cable Assembly
 57-215371-000**



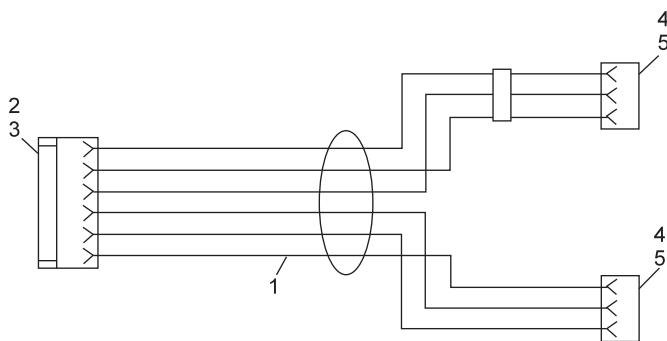
Index No.	Part No.	Description
1.	57-215377-000	Coax Clock Processor Cable Assembly
2.	11-690249-000	BNC Connector
3.	11-696265-000	BNC Connector

**Coax Clock Processor Cable Assembly
57-215377-000**



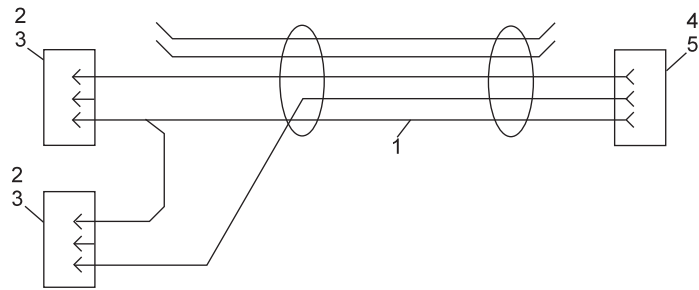
Index No.	Part No.	Description
1.	57-215379-000	Processor Cable Assembly (Processor Box Mounted on Capping) 33"
2.	11-692306-000	Connector
3.	11-692091-000	Terminal

**Processor Cable Assembly
(Processor Box Mounted on Capping)
57-215379-000**



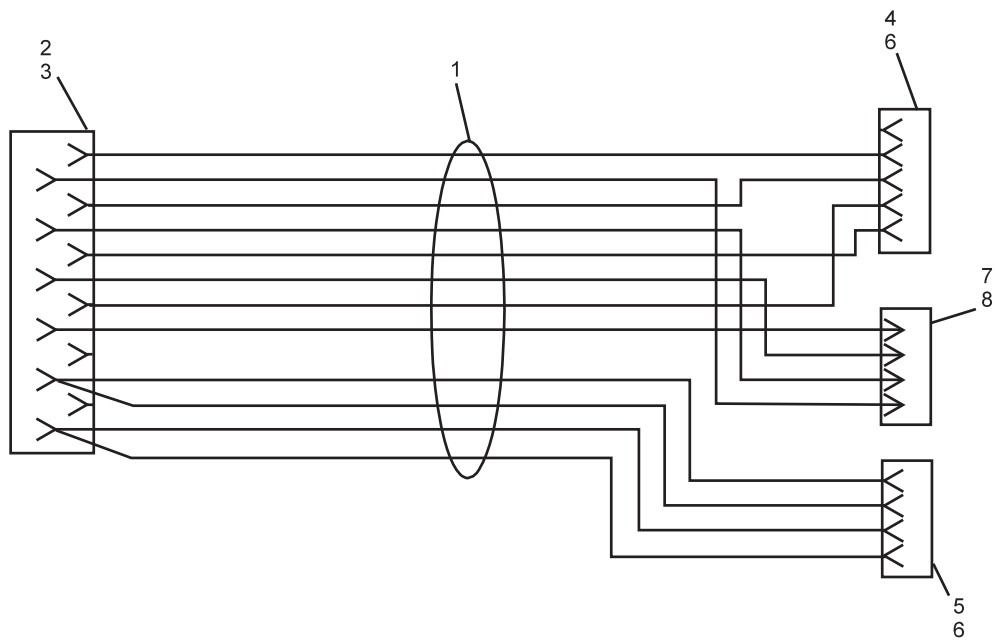
Index No.	Part No.	Description
1.	57-215391-000	Scanner to Ball Detect Cable Assembly
2.	11-697239-000	Connector
3.	11-680326-000	Terminal
4.	11-680201-000	Connector
5.	11-680301-000	Female Socket

**Scanner to Ball Detect Cable Assembly
57-215391-000**



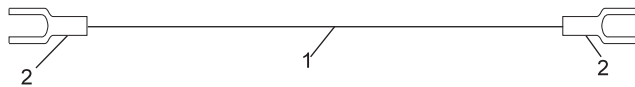
Index No.	Part No.	Description
1.	57-861245-000	Foul Pickup Cable Assembly
2.	11-680101-000	Connector
3.	11-680302-000	Terminal
4.	11-697236-000	Connector
5.	11-680326-000	Terminal

**Foul Pickup Cable Assembly
57-861245-000**



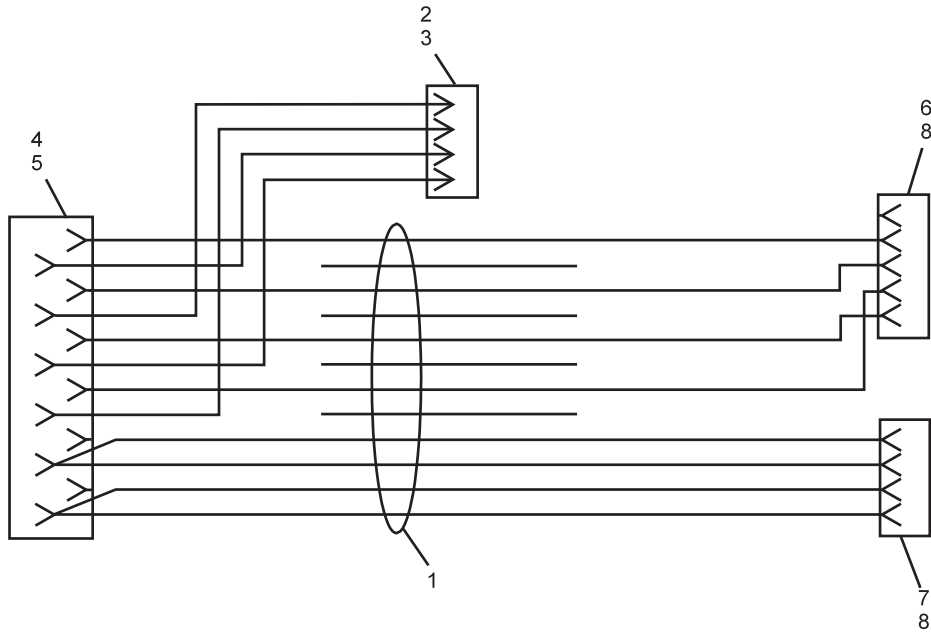
Index No.	Part No.	Description
1.	57-215396-000	A.C. to CCD Camera with AS-80 & AS-K Scorers Cable Assembly (Processor Box Mounted on Curtain Wall) 115'
2.	11-696801-000	Connector
3.	11-696927-000	Terminal
4.	11-697216-000	Connector
5.	11-697238-000	Connector
6.	11-680326-000	Terminal
7.	11-680105-000	Connector
8.	11-680302-000	Terminal

A.C. to CCD Camera with AS-80 & AS-K
Scorers Cable Assembly
(Processor Box Mounted on Curtain Wall) 115'
57-215396-000



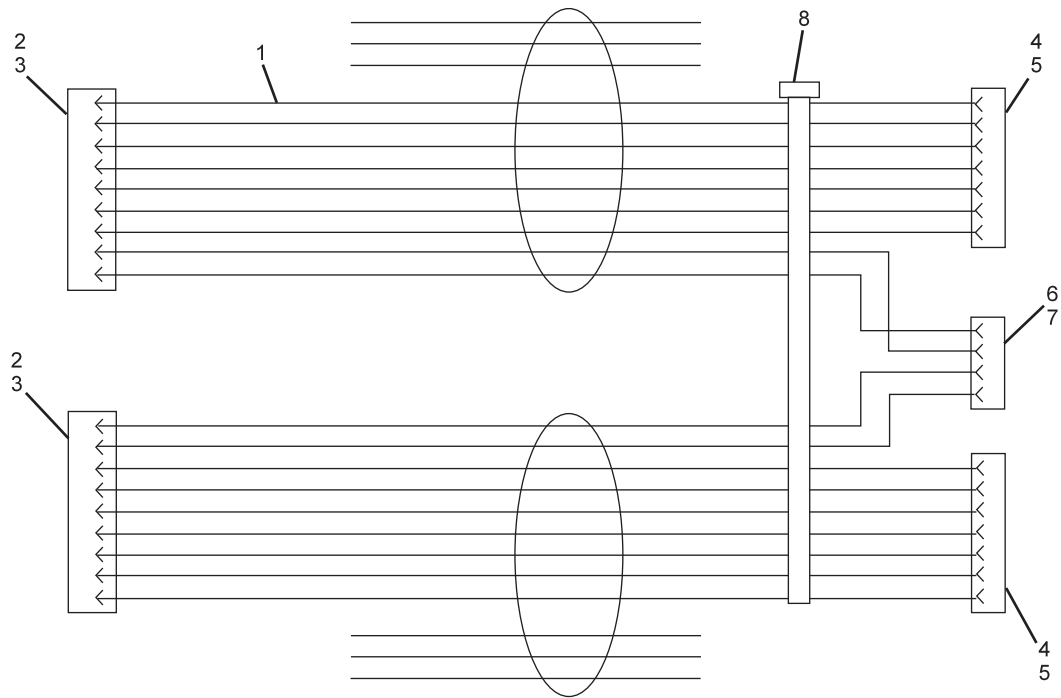
Index No.	Part No.	Description
1.	57-215403-000	CCD Processor Earth Ground Cable Assembly
2.	11-612021-000	Terminal

**CCD Processor Earth Ground Cable Assembly
57-215403-000**



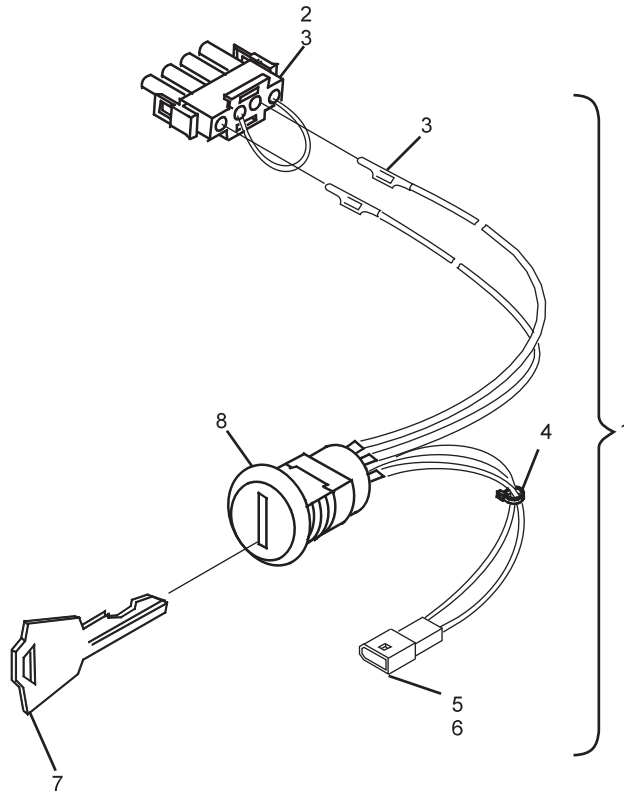
Index No.	Part No.	Description
1.	57-215421-000	A.C. to Camera Cable Assembly (Processor Box Mounted on Curtain Wall) 115'
2.	11-692204-000	Connector
3.	11-692090-000	Terminal
4.	11-696801-000	Connector
5.	11-696927-000	Terminal
6.	11-697216-000	Connector
7.	11-697238-000	Connector
8.	11-680326-000	Terminal

A.C. to Camera Cable Assembly
(Processor Box Mounted on Curtain Wall) 115'
57-215421-000



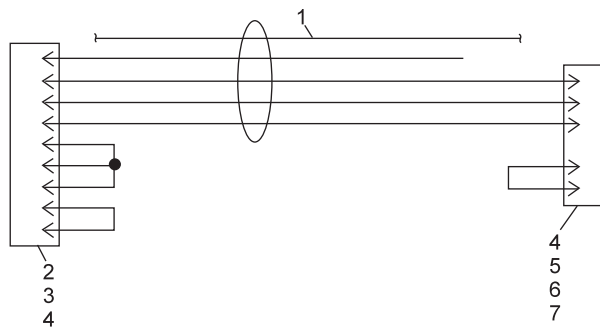
Index No.	Part No.	Description
1.	57-215507-000	Processor to Brunswick A/P Cable Assembly (Curtain Wall Mount)
2.	11-680108-000	Connector
3.	11-680302-000	Terminal
4.	11-697611-000	Connector
5.	11-680326-000	Terminal
6.	11-680205-000	Connector
7.	11-680301-000	Terminal
8.	11-603108-000	Cable Tie

**Processor to Brunswick A/P Cable Assembly
 (Curtain Wall Mount)
 57-215507-000**



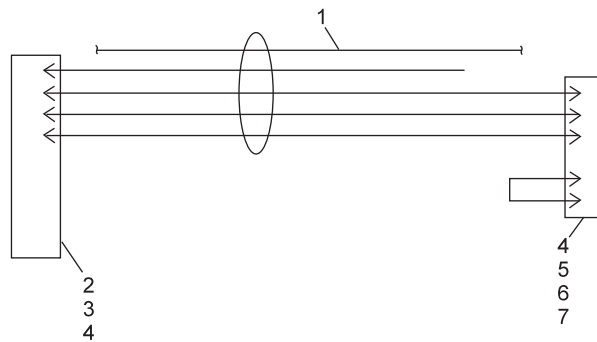
Index No.	Part No.	Description
1.	57-860255-000	Key Switch and Cable Assembly - Complete
2.	11-696703-000	Connector
3.	11-697186-000	Terminal
4.	11-603108-000	Cable Tie
5.	11-680302-000	Terminal
6.	11-680101-000	Connector Plug
7.		Key Only
8.	11-615051-000	Key Switch
9.	57-215010-000	Connector

Keyswitch and Cable Assembly - Complete
57-860255-000



Index No.	Part No.	Description
1.	67-860230-000	Alpha Micro to DTS Register Cable Assembly
2.	11-680977-000	Connector
3.	11-680979-000	Cover
4.	11-680981-000	Contact
5.	11-680985-000	Connector
6.	11-680980-000	Cover
7.	11-680988-000	Screw Retainer

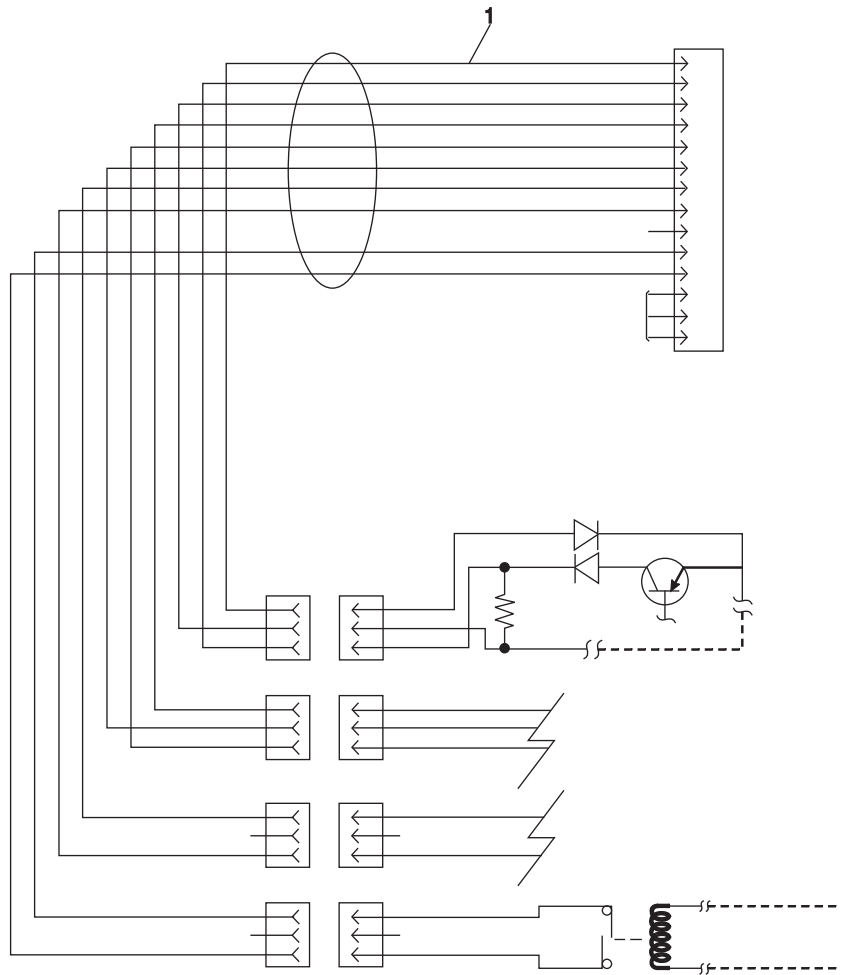
**Alpha Micro to DTS Register Cable Assembly
67-860230-000**



Index

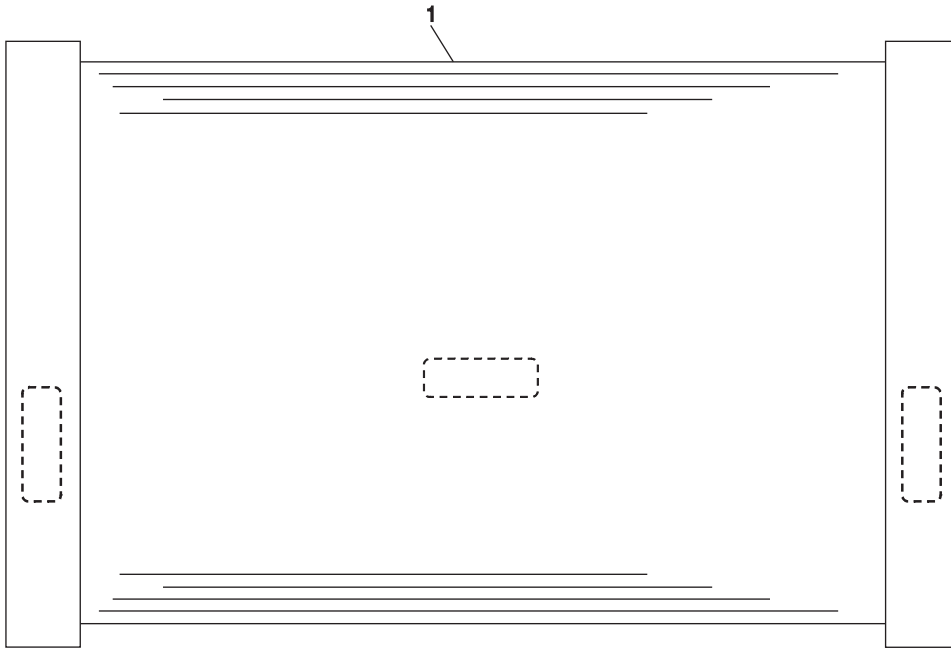
No.	Part No.	Description
1.	67-860231-000	Alpha Micro Cable Assembly
2.	11-680977-000	Connector
3.	11-680979-000	Cover
4.	11-680981-000	Contact
5.	11-680985-000	Connector
6.	11-680980-000	Cover
7.	11-680988-000	Screw Retainer

**Alpha Micro Cable Assembly
67-860231-000**



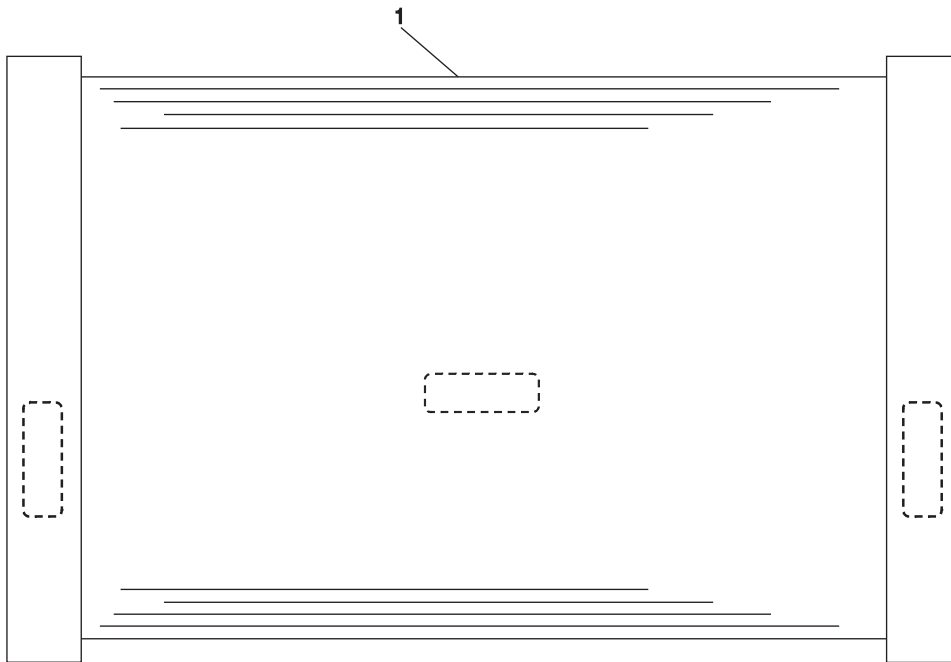
Index No.	Part No.	Description
1.	47-862717-000	Optical Trigger and Foul Cable Assembly

**Optical Trigger and Foul Cable Assembly
47-862717-000**



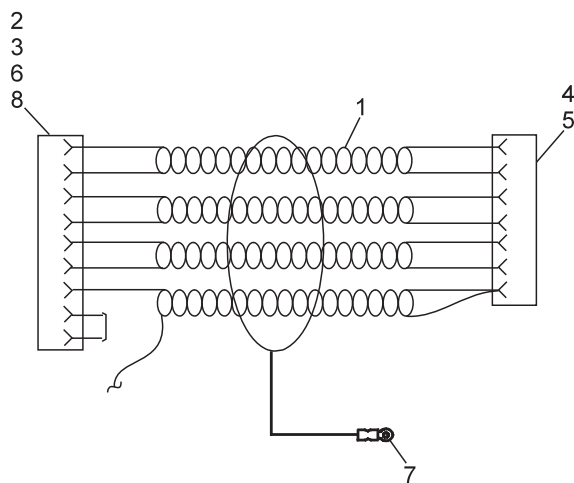
Index No.	Part No.	Description
1.	68-100044-000	Data Switch Cable Assembly

**Data Switch Cable Assembly
68-100044-000**



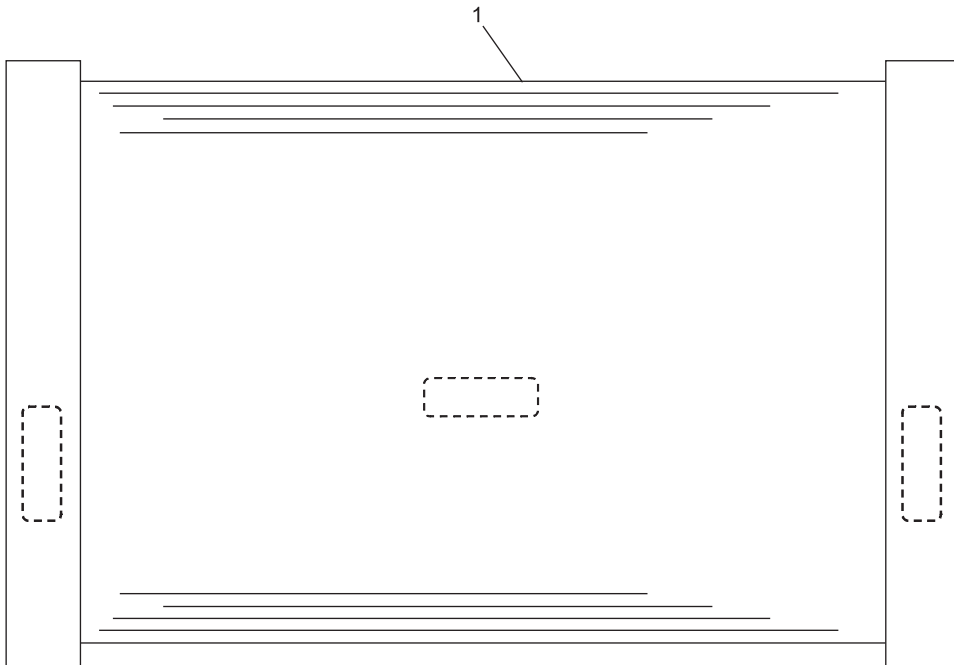
Index No.	Part No.	Description
1.	68-100046-000	Data Solenoid Cable Assembly

**Data Solenoid Cable Assembly
68-100046-000**



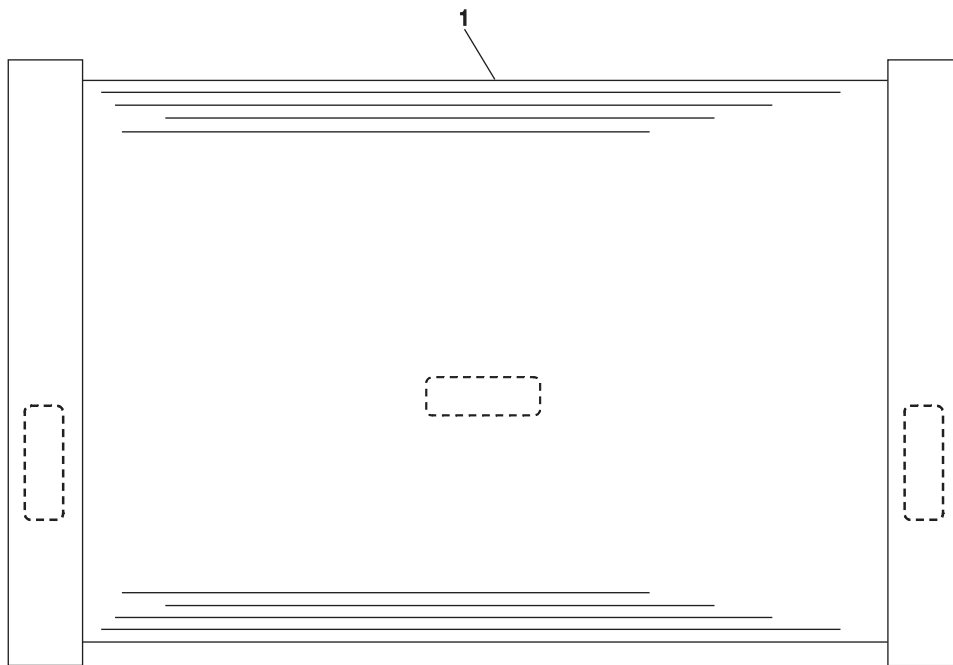
Index No.	Part No.	Description
1.	68-100050-000	Player Control Station Cable Assembly
2.	11-680985-000	Connector
3.	11-680996-000	Cover
4.	11-680326-000	Terminal
5.	11-697611-000	Connector
6.	11-680981-000	Pin
7.	11-612006-000	Terminal
8.	11-680988-000	Screw Retainer

**Player Control Station Cable Assembly
68-100050-000**



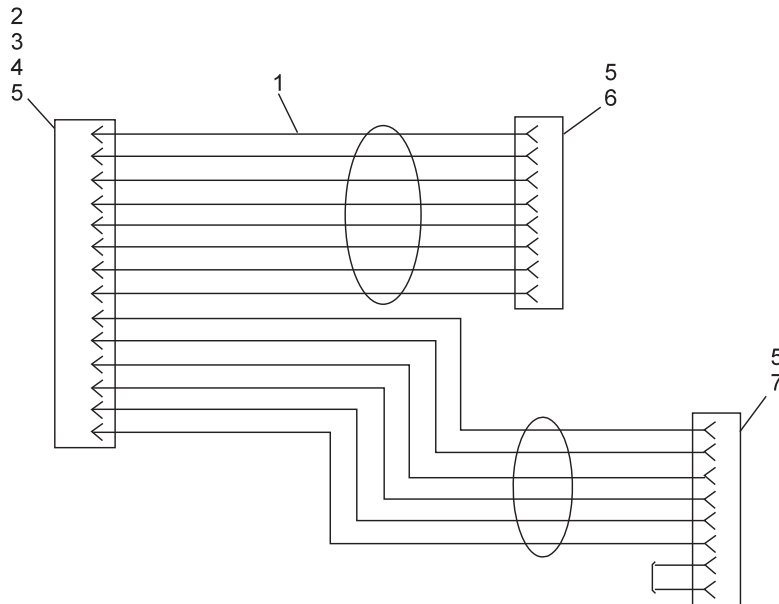
Index No.	Part No.	Description
1.	68-100157-000	Data Solenoid Cable Assembly

**Data Solenoid Cable Assembly
68-100157-000**



Index No.	Part No.	Description
1.	68-100158-000	Data Switch Cable Assembly

**Data Switch Cable Assembly
68-100158-000**

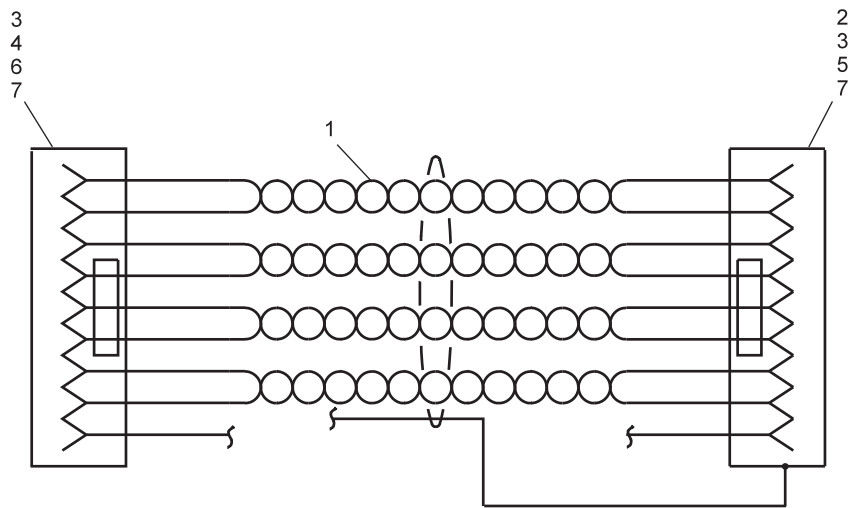


Index

No.	Part No.	Description
1.	68-100193-000	GS Power and Peripheral Control Cable Assembly
2.	11-615080-000	CPC Plug
3.	11-615126-000	Cable Clamp
4.	11-615101-000	Contacts
5.	N.A.	Connector
6.	11-680322-000	Terminal
7.	11-680319-000	Terminal

N.A. = No Longer Available

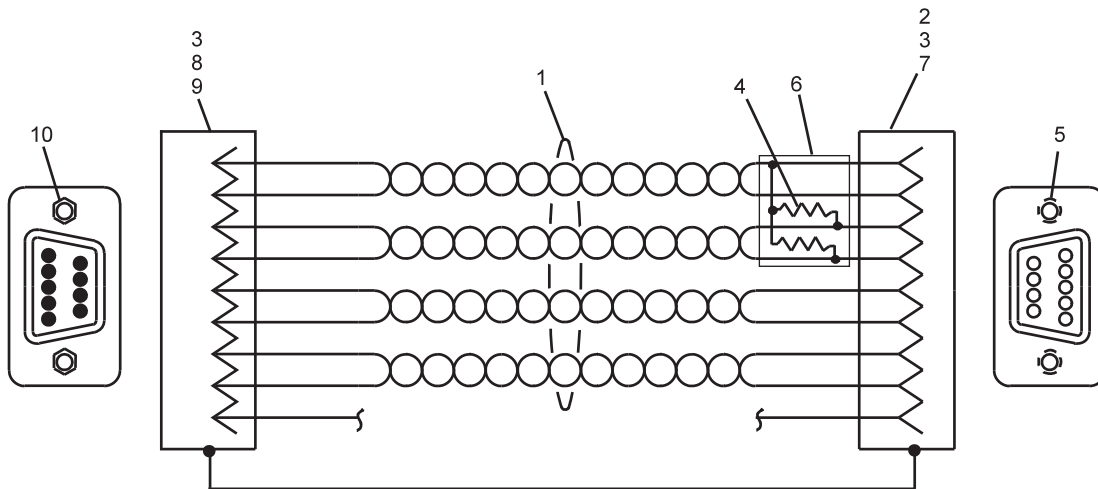
**GS Power and Peripheral Control Cable Assembly
68-100193-000**



Index

No.	Part No.	Description
1.	68-100194-000	Local Comline Cable Assembly
2.	11-680995-000	Connector
3.	11-680996-000	Cover
4.	11-680985-000	Plug
5.	11-680983-000	Socket
6.	11-680981-000	Pin
7.	11-680988-000	Screw Retainer

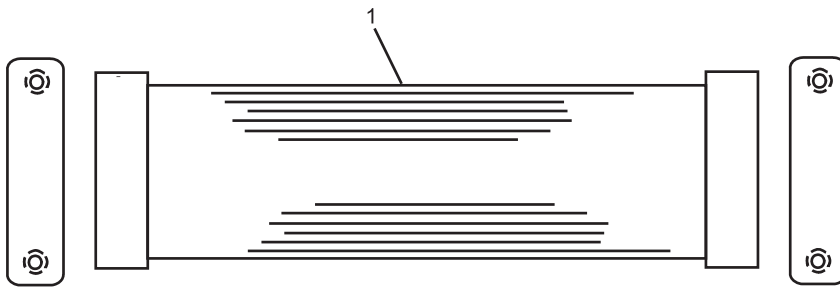
**Local Comline Cable Assembly
68-100194-000**



Index No.	Part No.	Description
1.	68-100209-000	Local Comline Terminator Cable Assembly
2.	11-680995-000	Receptacle
3.	11-680996-000	Cover
4.	11-691180-000	Resistor
5.	11-680988-000	Screw Retainer
6.	N.A.	Heat Shrink
7.	11-680983-000	Sockets
8.	11-680985-000	Plug
9.	11-680981-000	Pin
10.	11-680989-000	Screw Lock

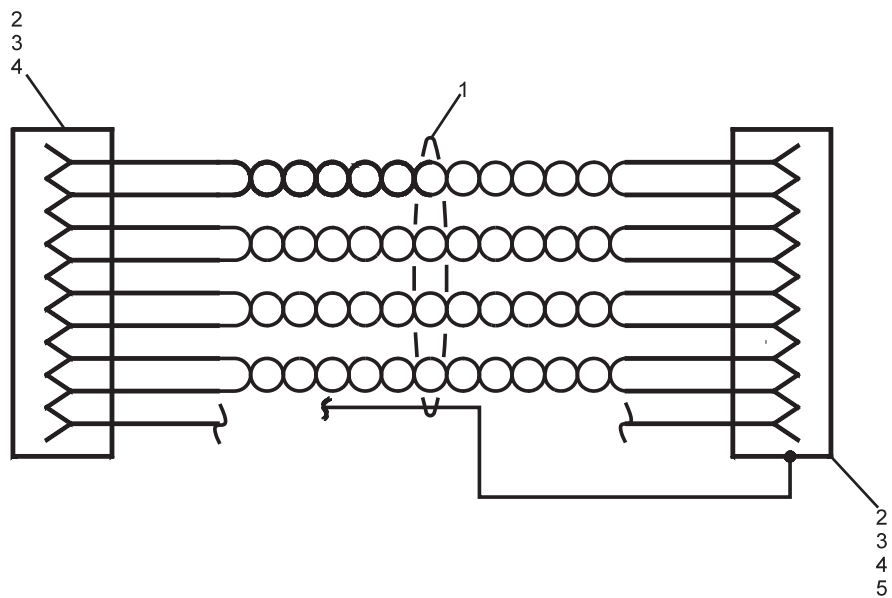
N.A. = No Longer Available

**Local Comline Terminator
Cable Assembly
68-100209-000**



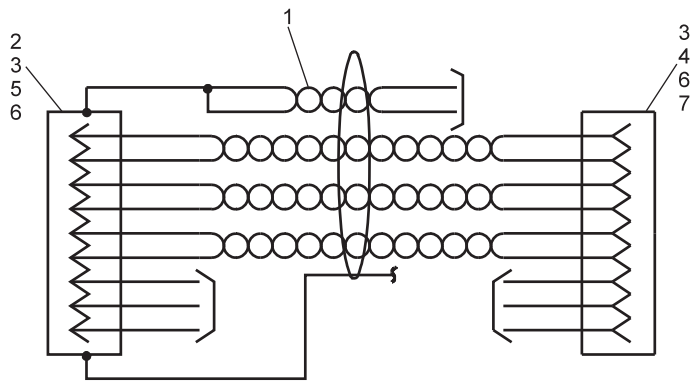
Index No.	Part No.	Description
1.	68-100210-000	M.C.D. to Modem Interface Cable Assembly

**M.C.D. to Modem Interface
 Cable Assembly
 68-100210-000**



Index No.	Part No.	Description
1.	68-100211-000	Local Comline Cable Assembly
2.	11-680995-000	Receptacle
3.	11-680996-000	Cover
4.	11-680983-000	Socket
5.	11-680988-000	Screw Retainer

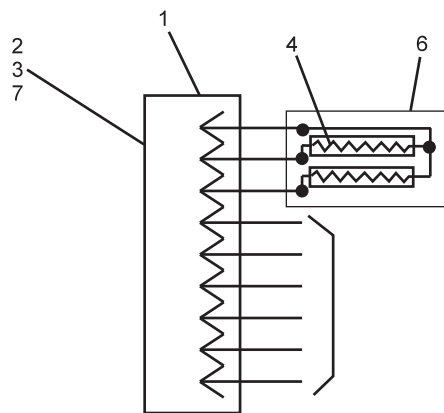
**Local Comline Cable Assembly
68-100211-000**



Index

No.	Part No.	Description
1.	68-100212-000	Master Comline Cable Assembly
2.	11-680985-000	Plug
3.	11-680996-000	Cover
4.	11-680995-000	Connector
5.	11-680981-000	Pin
6.	11-680988-000	Screw Retainer
7.	11-680983-000	Socket

**Master Comline Cable Assembly
68-100212-000**



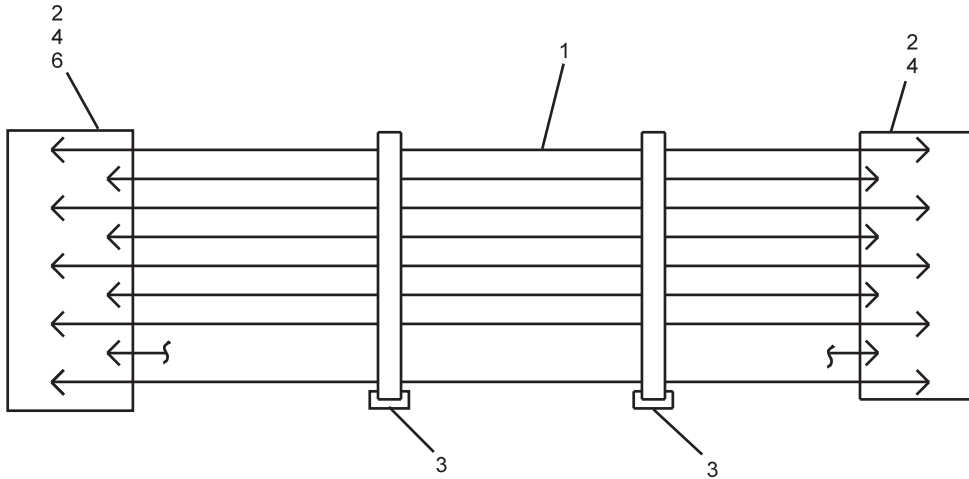
Index

No.	Part No.	Description
1.	68-100213-000	Master Comline Terminator Cable Assembly
2.	11-680985-000	Plug
3.	11-680996-000	Cover
4.	11-691180-000	Resistor
5.	N.A.	Heat Shrink
6.	N.A.	Heat Shrink
7.	11-680958-000	Terminal

**Master Comline Terminator
Cable Assembly
68-100213-000**

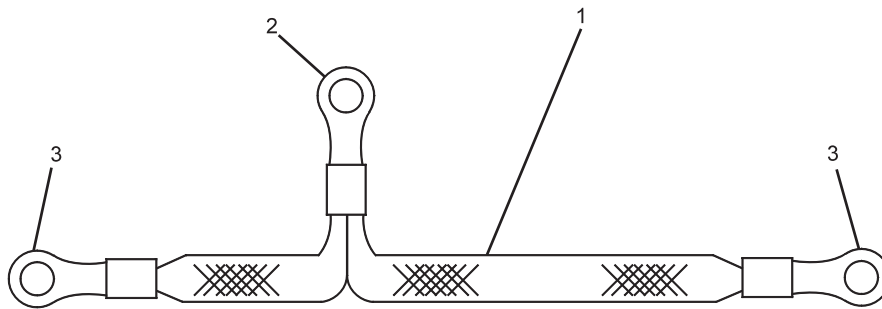
Index No.	Part No.	Description
1.	68-100215-000	Local Comline "Y" Cable Assembly
2.	11-680985-000	Plug
3.	11-680996-000	Cover
4.	11-680995-000	Receptacle
5.	11-680988-000	Screw Retainer
6.	11-680981-000	Terminal
7.	11-680989-000	Screw Lock
8.	11-680983-000	Connector
9.	11-612403-000	Splice Connector

**Local Comline "Y" Cable Assembly
68-100215-000**



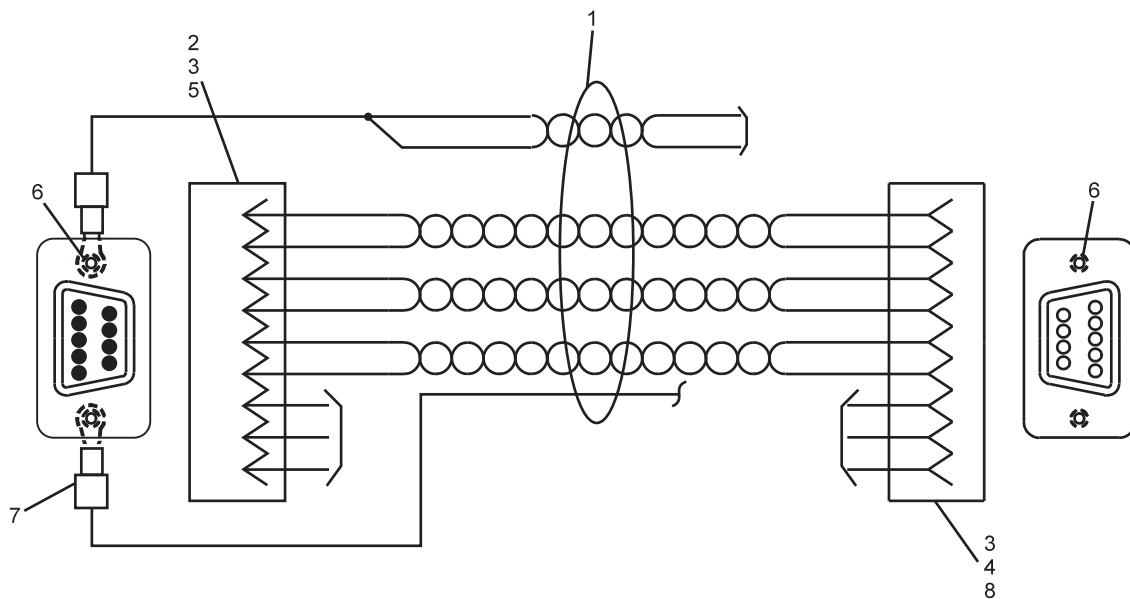
Index No.	Part No.	Description
1.	68-100269-000	Manager's Console Cable Assembly
2.	11-680985-000	Connector
3.	11-603105-000	Cable Tie
4.	11-680988-000	Screw Retainer

**Manager's Console Cable Assembly
68-100269-000**



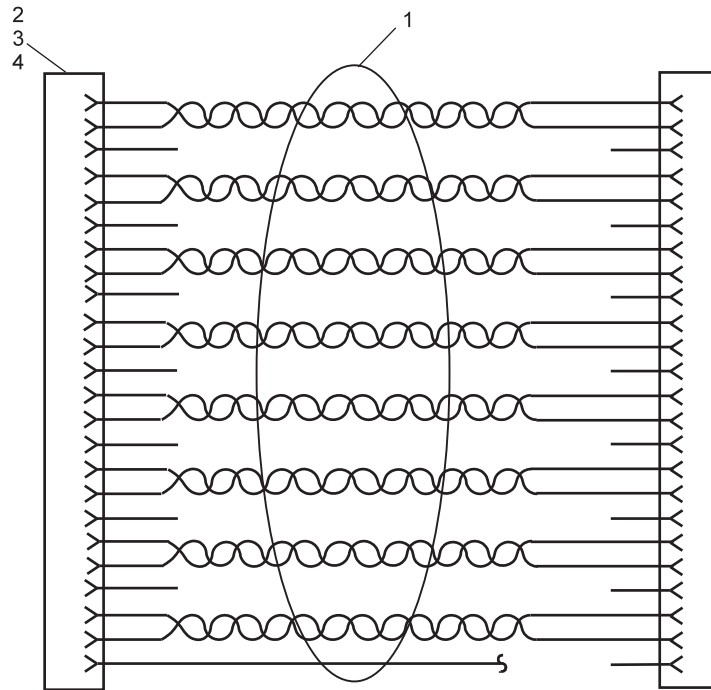
Index No.	Part No.	Description
1.	68-100272-000	H.V. to G.S. to Comm Ground Cable Assembly
2.	11-612029-000	Terminal
3.	11-612030-000	Terminal

**H.V. to G.S. to Comm
Ground Cable Assembly
68-100272-000**



Index No.	Part No.	Description
1.	68-100282-000	Master Comline Cable Assembly
2.	11-680985-000	Plug
3.	11-680996-000	Cover
4.	11-680995-000	Receptacle
5.	11-680962-000	Terminal
6.	11-680988-000	Screw Retainer
7.	11-612006-000	Ring Terminal
8.	11-680961-000	Socket

**Master Comline Cable Assembly
68-100282-000**

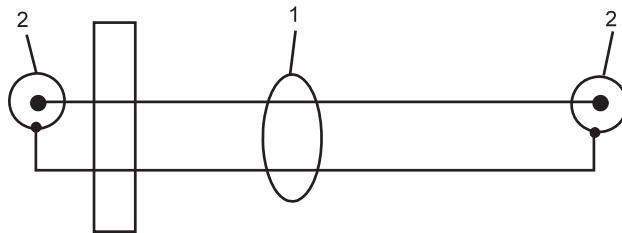


Index

No.	Part No.	Description
1.	N.A.	Global Audio Cable Assembly
2.	11-615076-000	Receptacle
3.	11-615105-000	Terminal
4.	11-615127-000	Cable Clamp

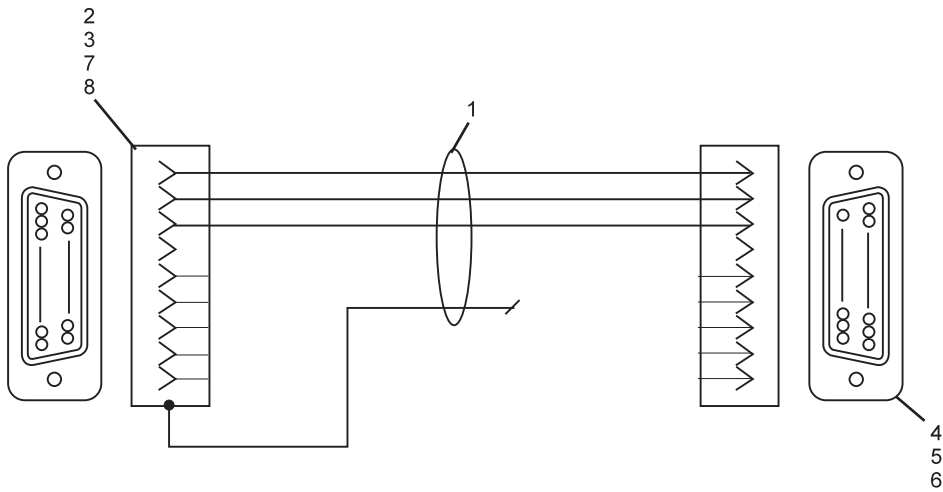
N.A. = No Longer Available As An Assembly

**Global Audio Cable Assembly
68-100287-000**



Index No.	Part No.	Description
1.	68-100293-000	Audio "In" Cable Assembly
2.	11-681300-000	"RCA" Type Plug

**Audio "In" Cable Assembly
68-100293-000**

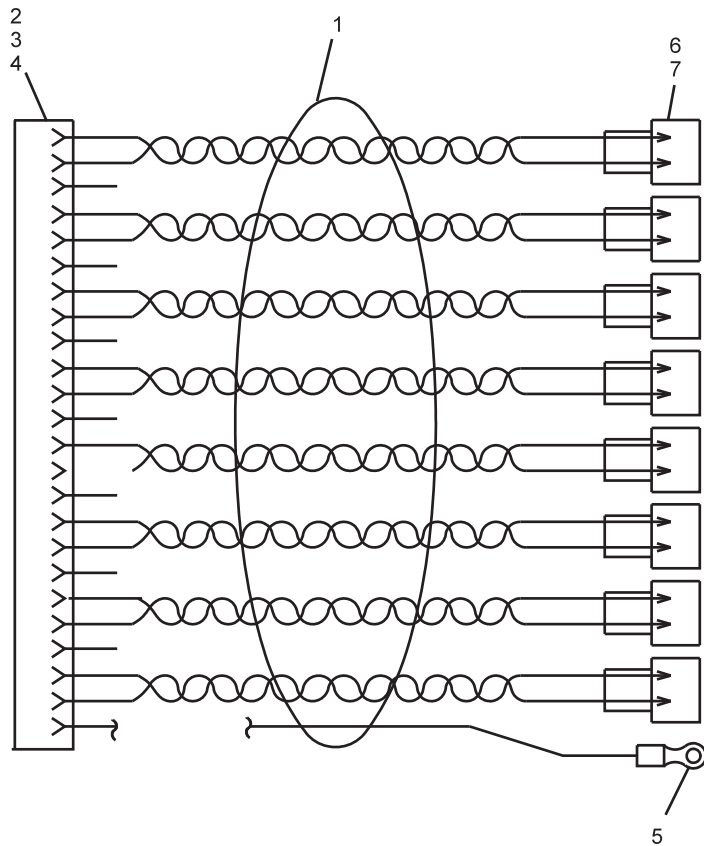


Index

No.	Part No.	Description
1.	68-100297-000	Laser Disk to Com Line RS232 Cable Assembly
2.	11-680978-000	Connector
3.	11-680983-000	Terminal
4.	11-680981-000	Terminal
5.	N.A.	Cover
6.	N.A.	Connector
7.	11-680957-000	Shield
8.	11-615152-000	Split Ring Ferrule

N.A. = No Longer Available

**Laser Disk to Com Line RS232
Cable Assembly
68-100297-000**

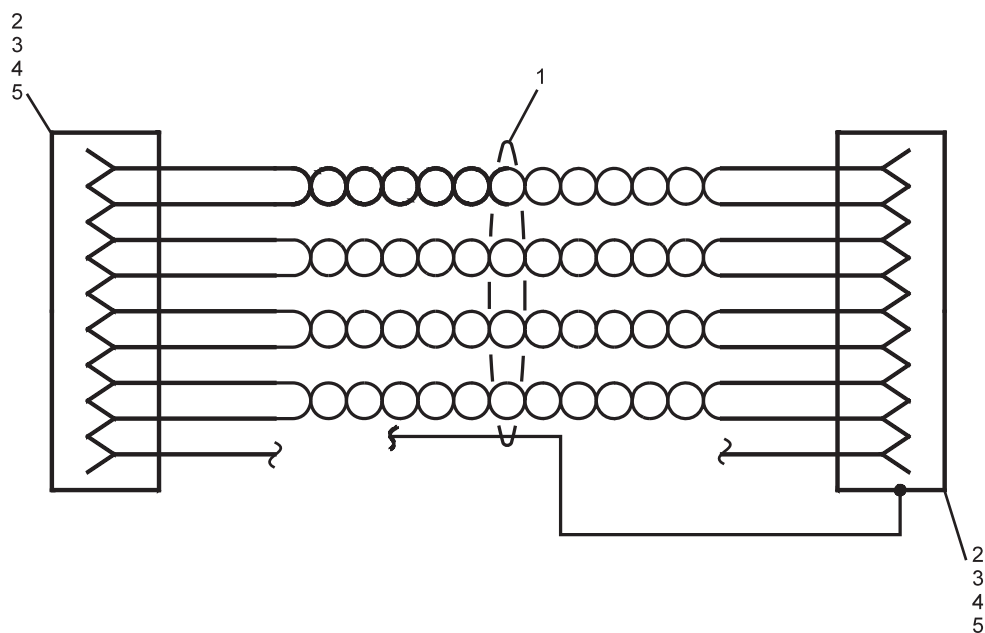


Index

No.	Part No.	Description
1.	N.A.	Audio "Out" Cable Assembly
2.	11-615076-000	Receptacle
3.	11-615105-000	Terminal
4.	11-615127-000	Cable Clamp
5.	11-612006-000	Ring Terminal
6.	11-680116-000	Connector
7.	11-680302-000	Terminal

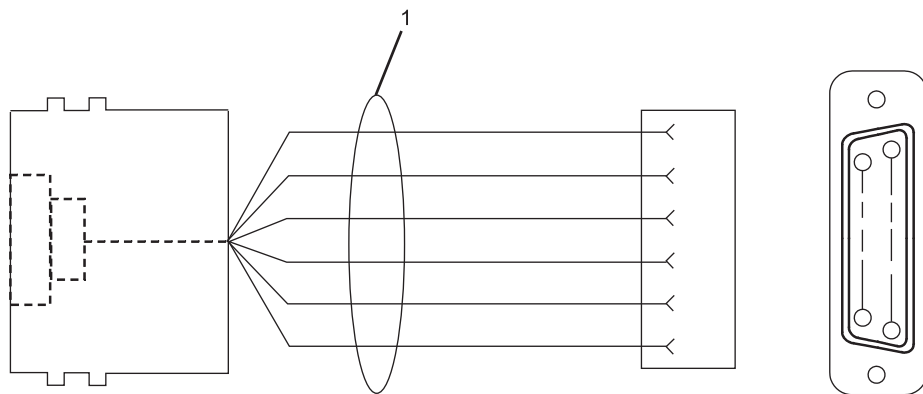
N.A. = No Longer Available As An Assembly

**Audio "Out" Cable Assembly
68-100311-000**



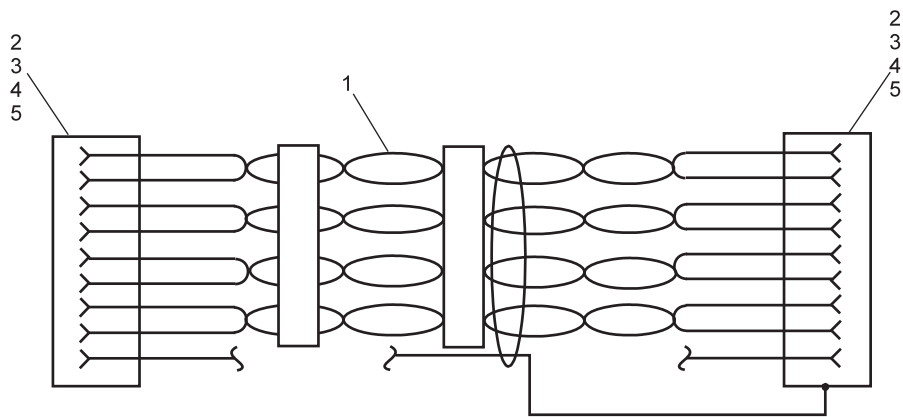
Index No.	Part No.	Description
1.	68-100322-000	Local Comline Cable Assembly
2.	11-680995-000	Receptacle
3.	11-680996-000	Cover
4.	11-680983-000	Socket
5.	11-680988-000	Screw Retainer

**Local Comline Cable Assembly
68-100322-000**



Index No.	Part No.	Description
1.	68-100325-000	RJ-11/DB-25 Modular Adapter Cable Assembly

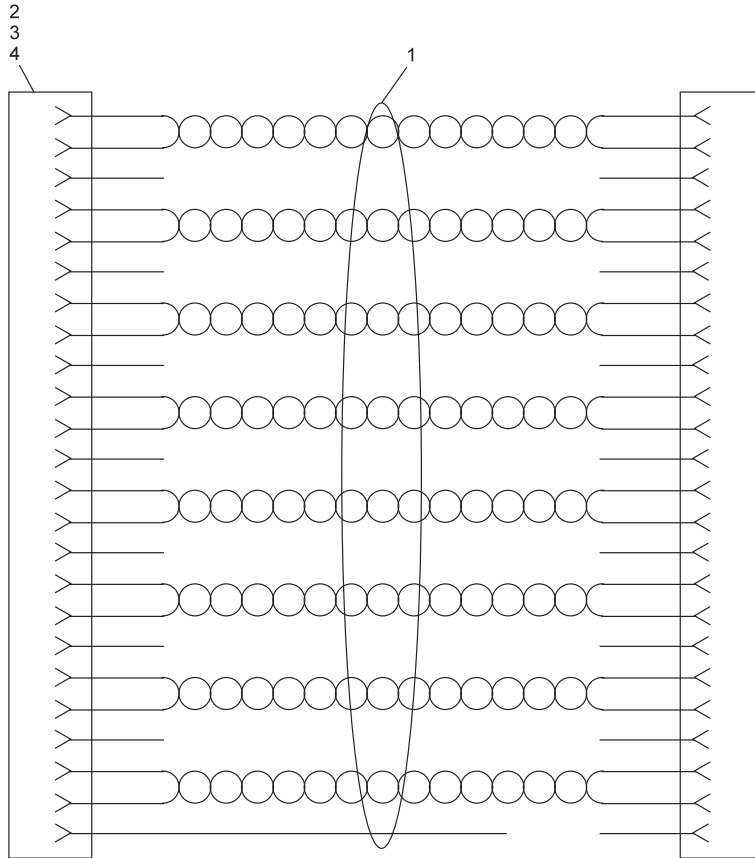
**RJ-11/DB-25 Modular
 Adapter Cable Assembly
 68-100325-000**



Index

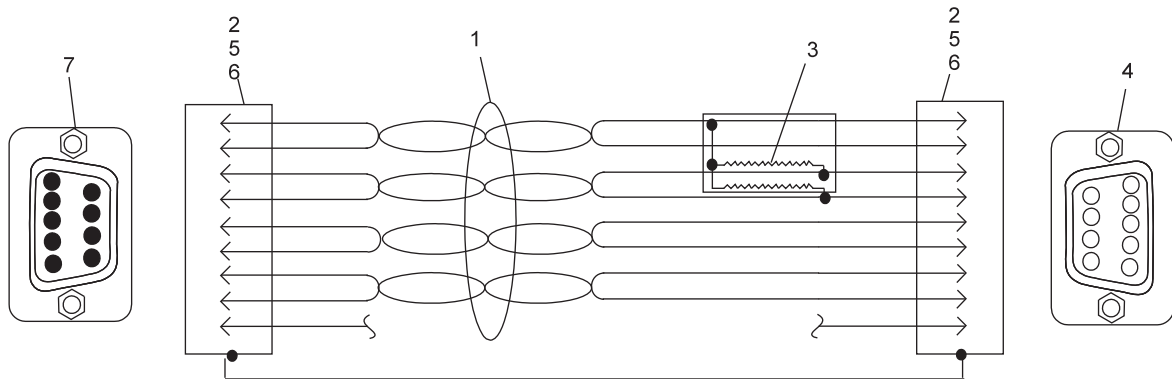
No.	Part No.	Description
1.	68-100327-000	Local Comline Cable Assembly
2.	11-680995-000	Connector
3.	11-680996-000	Cover
4.	11-680983-000	Socket
5.	11-680988-000	Screw Retainer

**Local Comline Cable Assembly
68-100327-000**



Index No.	Part No.	Description
1.	68-100328-000	Global Audio Cable Assembly
2.	11-615076-000	Connector
3.	11-615102-000	Contact
4.	11-615127-000	Cable Clamp

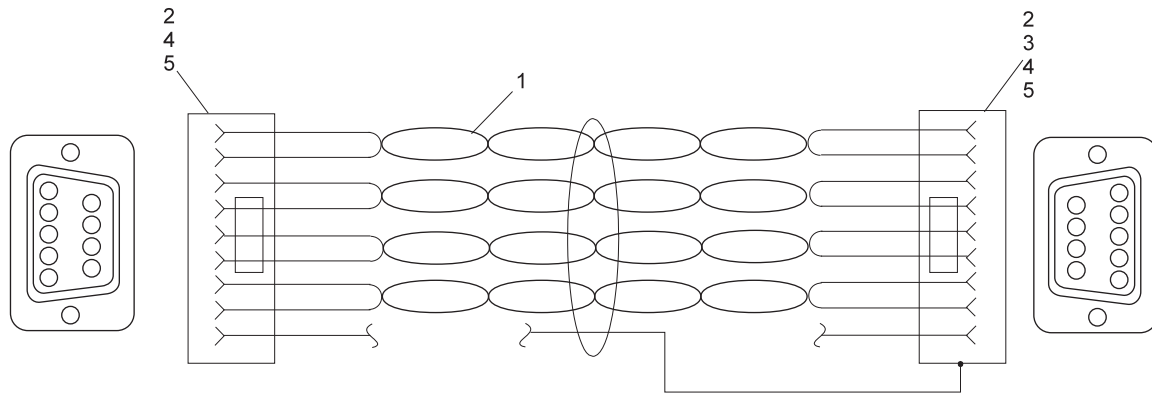
**Global Audio Cable Assembly
68-100328-000**



Index

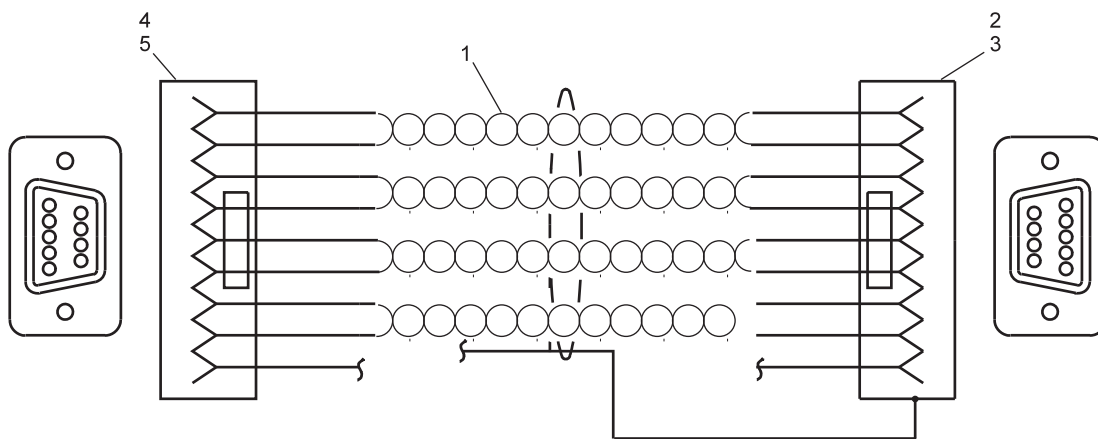
No.	Part No.	Description
1.	68-100329-000	Local Comline Terminator Cable Assembly
2.	11-680996-000	Cover
3.	11-691180-000	Resistor
4.	11-680988-000	Screw Retainer
5.	11-680985-000	Plug
6.	11-680981-000	Pin
7.	11-680989-000	Screw Lock

**Local Comline Terminator
Cable Assembly
68-100329-000**



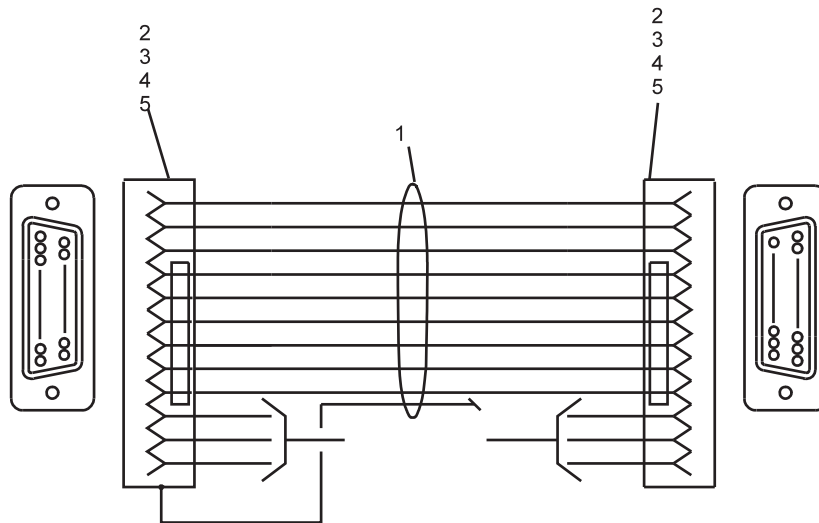
Index No.	Part No.	Description
1.	68-100330-000	Local Comline Cable Assembly
2.	11-680995-000	Connector
3.	11-680996-000	Cover
4.	11-680983-000	Socket
5.	11-680988-000	Screw Retainer

**Local Comline Cable Assembly
68-100330-000**



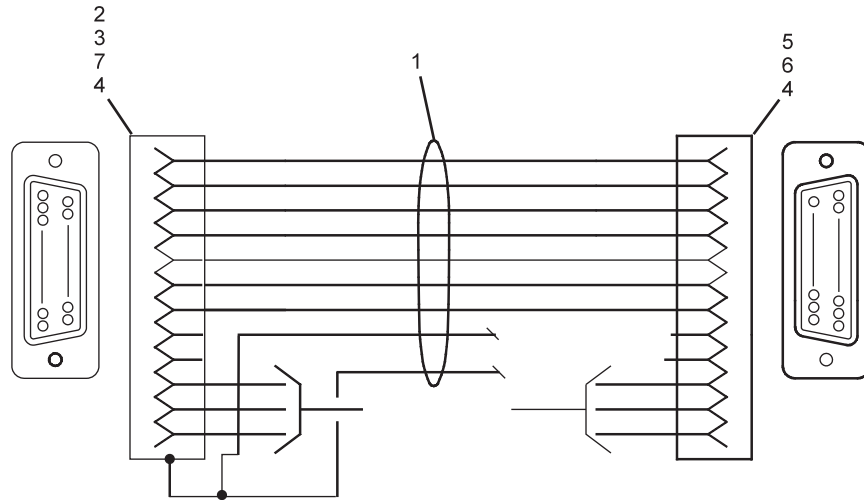
Index No.	Part No.	Description
1.	68-100332-000	Playpad Power Supply Cable Assembly
2.	11-680101-000	Plug
3.	11-680302-000	Terminal
4.	11-680201-000	Connector
5.	11-680301-000	Terminal

**Playpad Power Supply Cable Assembly
68-100332-000**



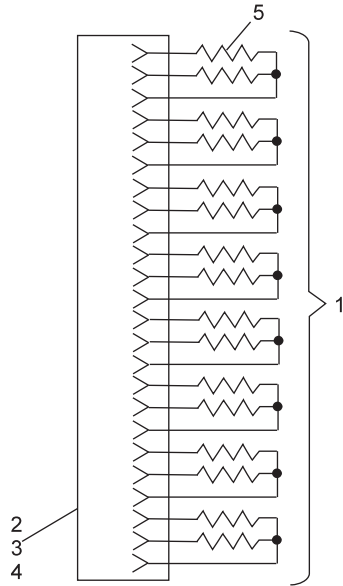
Index No.	Part No.	Description
1.	68-100333-000	Laser Disk to Comline RS232 Cable Assembly
2.	11-680978-000	Connector
3.	11-680983-000	Terminal
4.	11-680957-000	Shield
5.	11-615152-000	Split Ring Ferrule

**Laser Disk to Comline RS232
Cable Assembly
68-100333-000**



Index No.	Part No.	Description
1.	68-100334-000	Printer to Comline RS232 Cable Assembly
2.	11-680978-000	Connector
3.	11-680983-000	Terminal
4.	11-680957-000	Shield
5.	11-680981-000	Terminal
6.	11-680977-000	Connector
7.	11-615152-000	Split Ring Ferrule

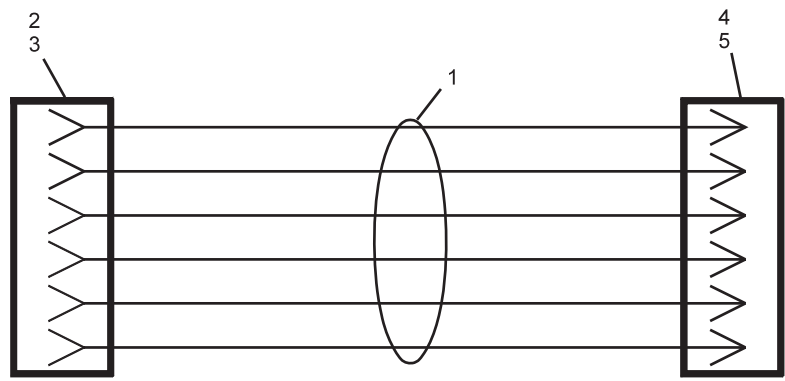
**Printer to Comline RS232
 Cable Assembly
 68-100334-000**



Index No.	Part No.	Description
1.	68-100337-000	75 Ohm Terminator Cable Assembly
2.	11-615076-000	Receptacle
3.	11-615102-000	Socket
4.	11-615127-000	Cable Clamp
5.	11-691241-000	Resistor
6.	N.A.	Heat Shrink

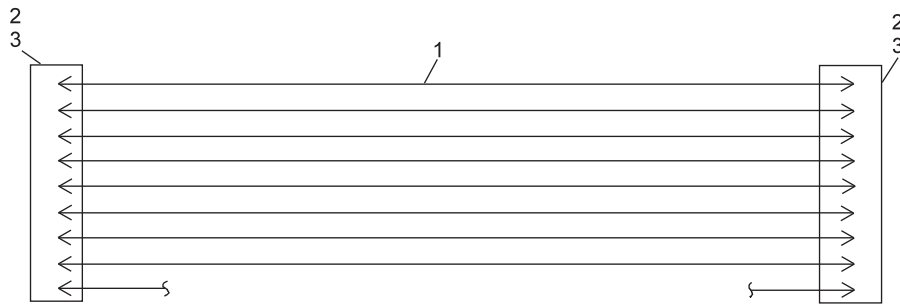
N.A. = No Longer Available

**75 Ohm Terminator
Cable Assembly
68-100337-000**



Index No.	Part No.	Description
1.	68-100367-000	External Power Out Cable Assembly
2.	11-697205-000	Connector
3.	11-680322-000	Terminal
4.	11-680107-000	Plug
5.	11-680302-000	Terminal

**External Power Out
Cable Assembly
68-100367-000**



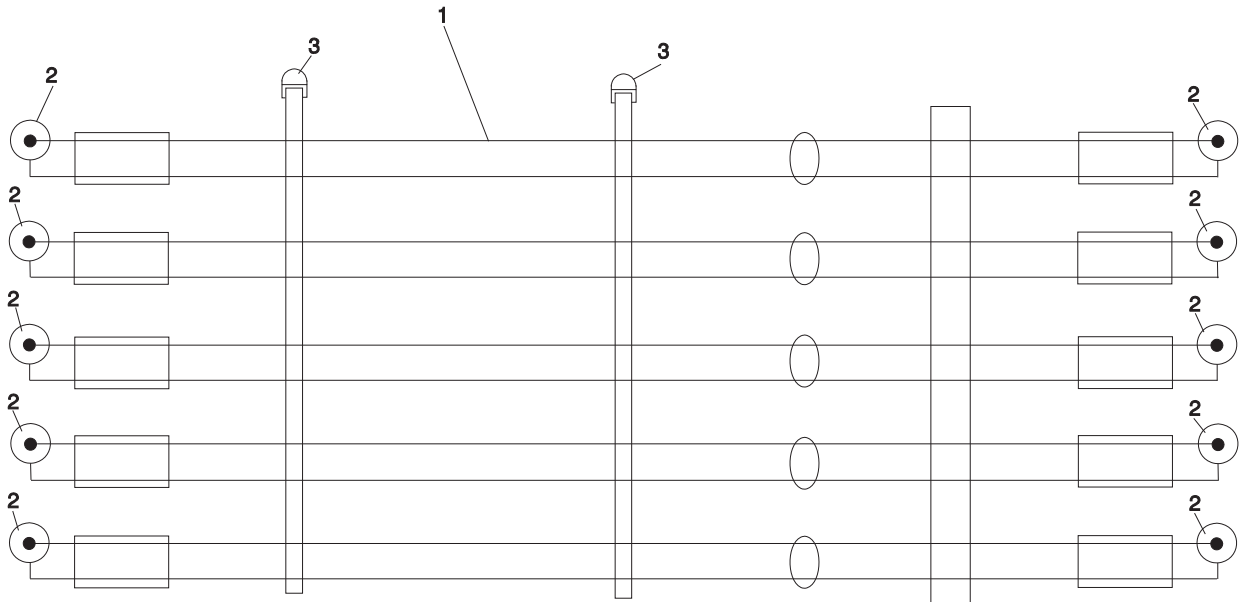
Index No.	Part No.	Description
1.	68-100386-000	Universal Overhead Control Cable
2.	11-680104-000	Plug
3.	11-680302-000	Terminal

**Universal Overhead Control Cable Assembly
68-100386-000**

Index No.	Part No.	Description
1.	68-100465-000	Outlet Cover Assembly
2.	68-100466-000	Outlet Box Cover
3.	11-012021-001	Pan Hd. C.R. Screw (#6-32 x 5/16")
4.	11-190002-001	Plain Washer
5.	11-124001-001	Nut (#6-32)
6.	11-390002-000	Angle Bracket
7.	68-100480-000	Control Cable Assembly
8.	11-609502-000	Connector
9.	N.A.	Relay Cable Assembly
10.	68-100470-000	Telefoul Cable Assembly
11.	11-672602-000	24 Volt Relay

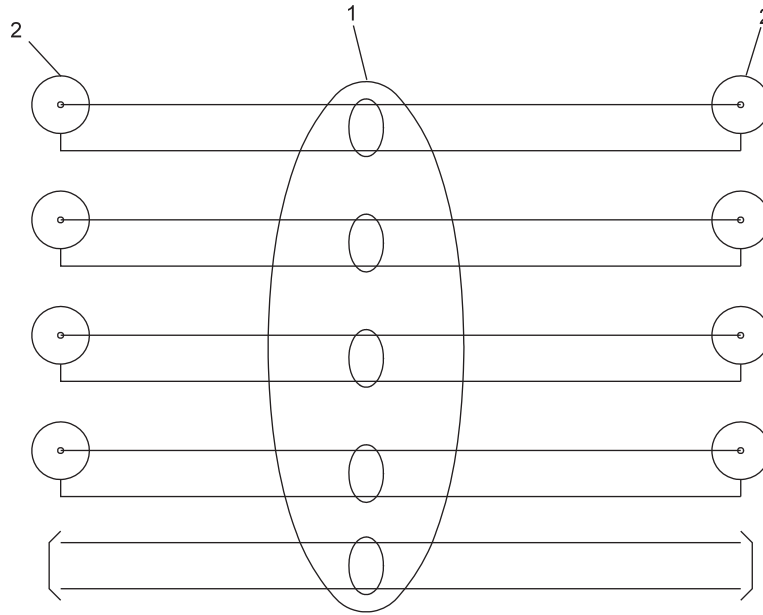
N.A. = No Longer Available

**Outlet Cover Assembly
68-100465-000**



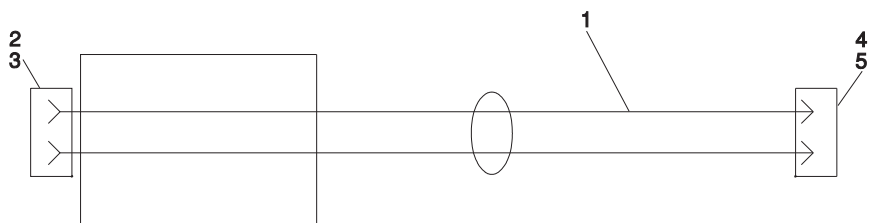
Index No.	Part No.	Description
1.	68-100467-000	RGBS Cable Assembly
2.	11-696265-000	Connector
3.	11-603108-000	Cable Tie

**RGBS Cable Assembly
68-100467-000**



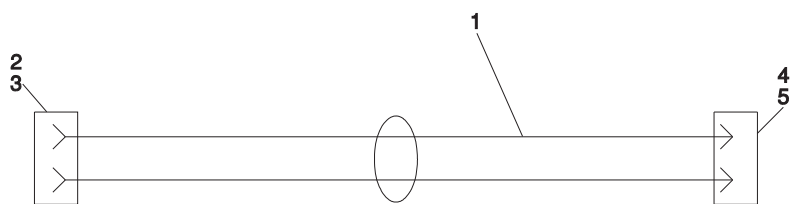
Index No.	Part No.	Description
1.	68-100468-000	RGBS Cable Assembly
2.	11-696265-000	Connector

**RGBS Cable Assembly
68-100468-000**



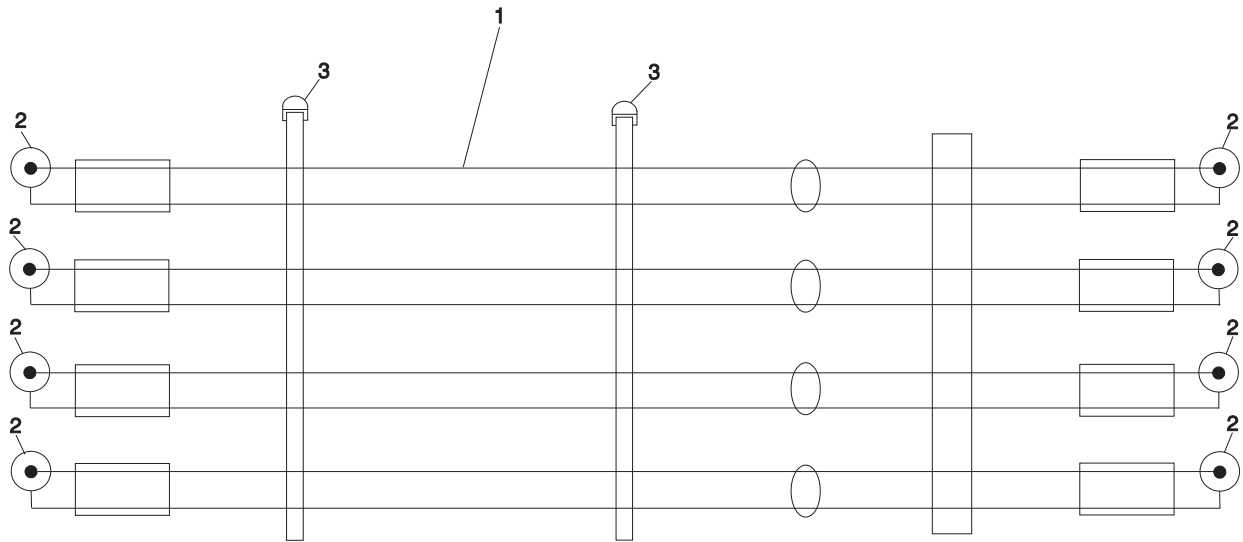
Index No.	Part No.	Description
1.	68-100477-000	Playpad Service Light Cable Assembly
2.	11-680216-000	Connector
3.	11-680301-000	Terminal
4.	11-680116-000	Connector
5.	11-680302-000	Terminal

**Playpad Service Light Cable Assembly
68-100477-000**



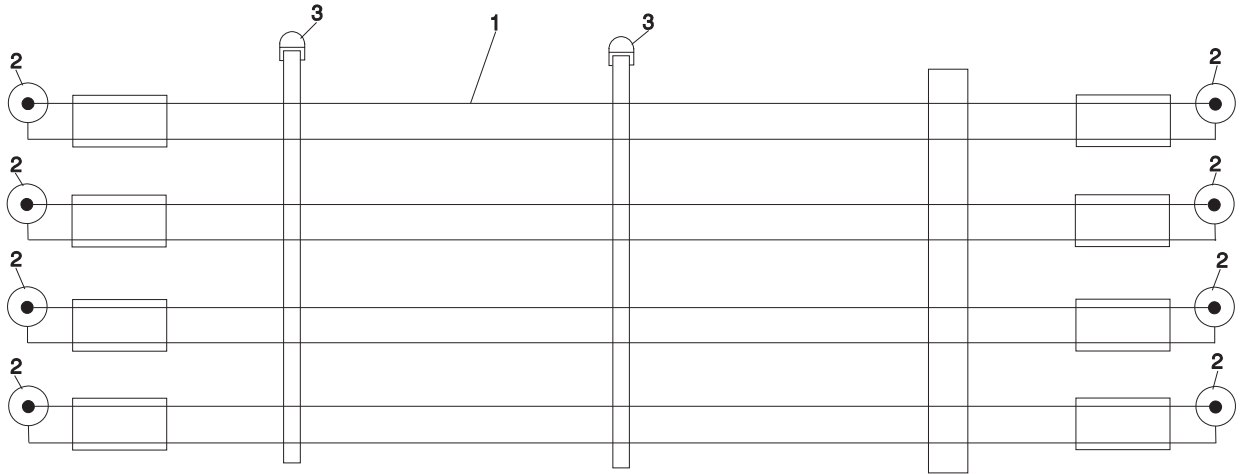
Index No.	Part No.	Description
1.	68-100478-000	Playpad Service Light Cable Assembly
2.	11-697233-000	Connector
3.	11-680326-000	Terminal
4.	11-680116-000	Connector
5.	11-680302-000	Terminal

**Playpad Service Light Cable
68-100478-000**



Index No.	Part No.	Description
1.	68-100487-000	RGBS Cable Assembly
2.	11-696265-000	Connector
3.	11-603108-000	Cable Tie

**RGBS Cable Assembly
68-100487-000**



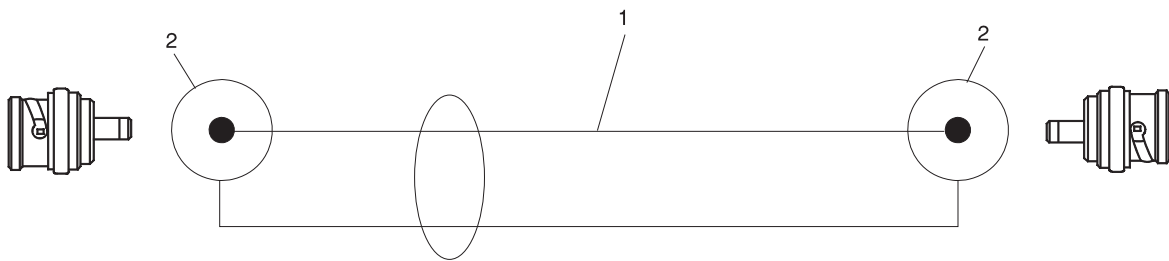
Index No.	Part No.	Description
1.	68-100488-000	RGBS Cable Assembly
2.	11-696265-000	Connector
3.	11-603108-000	Cable Tie

**RGBS Cable Assembly
68-100488-000**

Index No.	Part No.	Description
1.	68-100494-020	Serial "Out" Video Switcher Cable Assembly
2.	N.A.	Connector
3.	11-680326-000	Crimp Terminal
4.	11-697237-000	Connector
5.	11-697411-000	Connector
6.	11-697416-000	Terminal
7.	11-603108-000	Cable Tie
8.	11-012254-001	Pan Hd. C.R. Screw (#4-40 x 3/8")
9.	11-176009-001	Keps Nut
10.	68-100499-000	Mounting Plate
11.	N.A.	Box Connector
12.	11-692208-000	Connector
13.	11-692090-000	Crimp Terminal

N.A. = No Longer Available

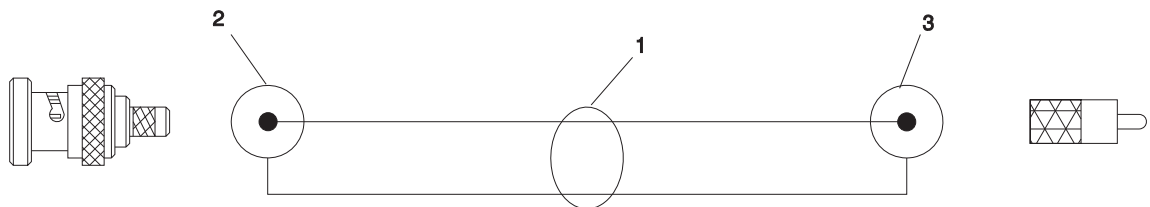
**Serial "Out" Video Switcher Cable Assembly
68-100494-020**



Index No.	Part No.	Description
1.	N.A.	Bowlervision BNC to BNC Cable Assembly
2.	11-696265-000	BNC Connector

N.A. = No Longer Available As An Assembly

**Bowlervision BNC to BNC Cable Assembly
68-100503-000**

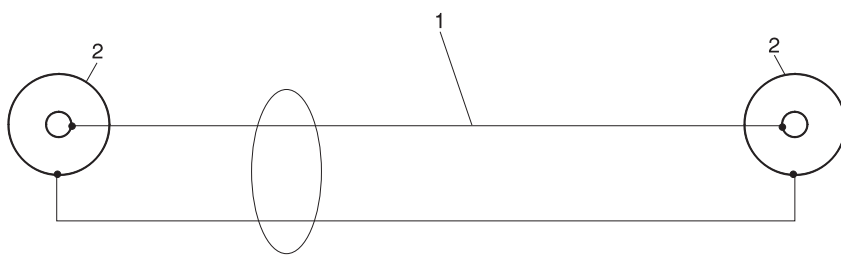


Index

No.	Part No.	Description
1.	68-100504-000	Bowlervision RCA to BNC Cable Assembly
2.	11-696265-000	BNC Connector
3.	N.A.	RCA Connector

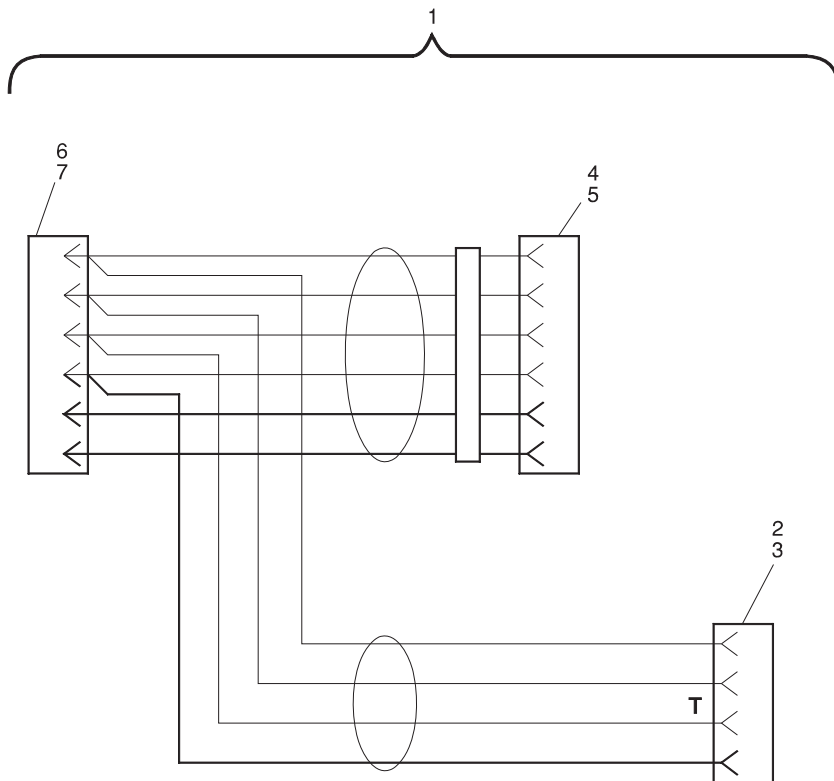
N.A. = No Longer Available

**Bowlervision RCA to BNC Cable Assembly
68-100504-000**



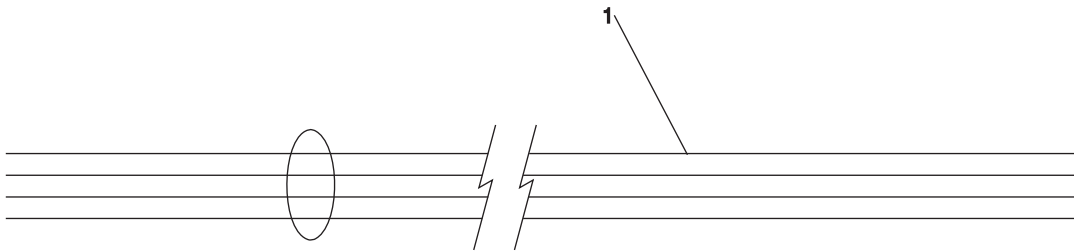
Index No.	Part No.	Description
1.	68-100523-000	Global Video and Score Correct Cable Assembly
2.	11-696265-000	Connector

**Global Video and Score Correct Cable Assembly
68-100523-000**



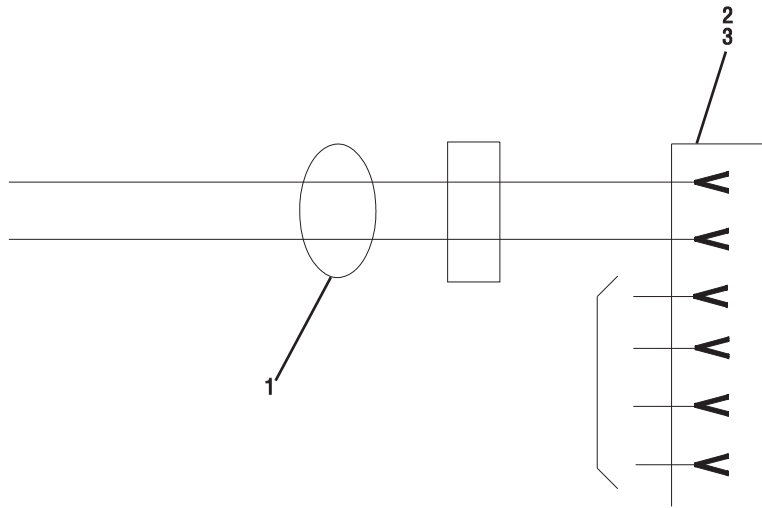
Index No.	Part No.	Description
1.	68-100525-000	Coach Keypad Power Cable Assembly
2.	11-697238-000	Connector
3.	11-680326-000	Terminal
4.	11-680215-000	Connector
5.	11-680301-000	Terminal
6.	11-680107-000	Connector
7.	11-680302-000	Terminal

**Coach Keypad Power Cable Assembly
68-100525-000**



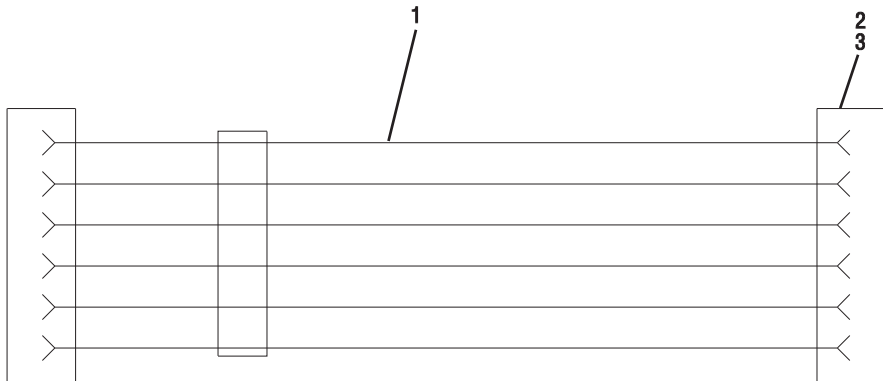
Index No.	Part No.	Description
1.	68-100550-000	Speaker Cable Assembly

**Speaker Cable Assembly
68-100550-000**



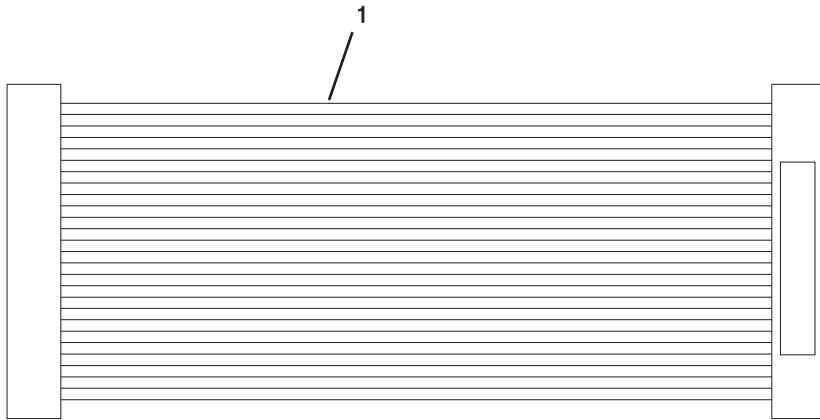
Index No.	Part No.	Description
1.	68-100617-000	Audio Cable Assembly (BNC to .100KK)
2.	11-697239-000	Connector
3.	11-680326-000	Crimp Terminal

Audio Cable Assembly
(BNC to .100KK)
68-100617-000



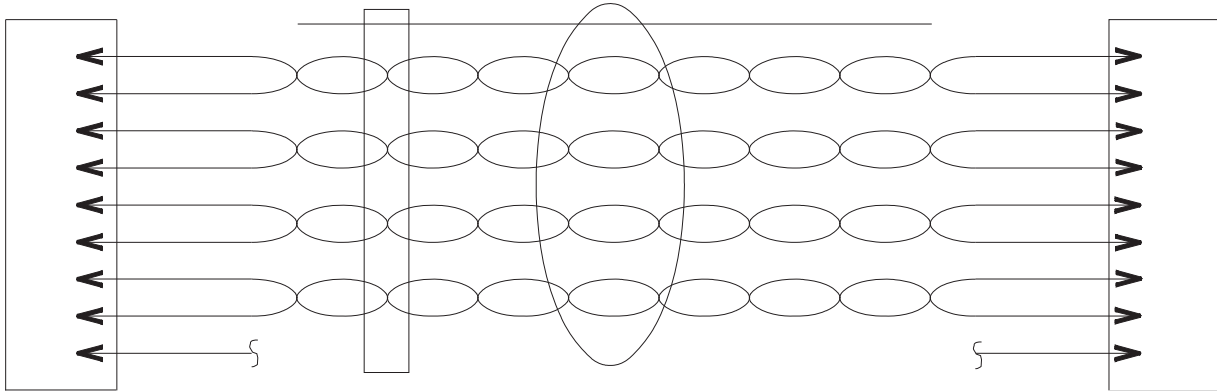
Index No.	Part No.	Description
1.	68-100622-000	Control 2 to Control 1 Cable Assembly
2.	11-697239-000	Connector
3.	11-680326-000	Crimp Terminal

**Control 2 to Control 1 Cable Assembly
68-100622-000**



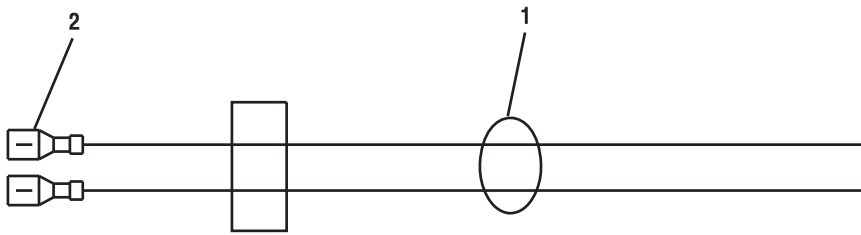
Index No.	Part No.	Description
1.	68-100623-000	Control Board Interconnect Ribbon Cable Assembly

**Control Board Interconnect
Ribbon Cable Assembly
68-100623-000**



Index No.	Part No.	Description
1.	68-100636-000	Control P.C.B. to Coach P.C.B. Cable Assembly
2.	11-680985-000	Plug
3.	11-680981-000	Crimp Terminal
4.	11-680988-000	Screw Retainer

Control P.C.B. to Coach P.C.B.
Cable Assembly
68-100636-000

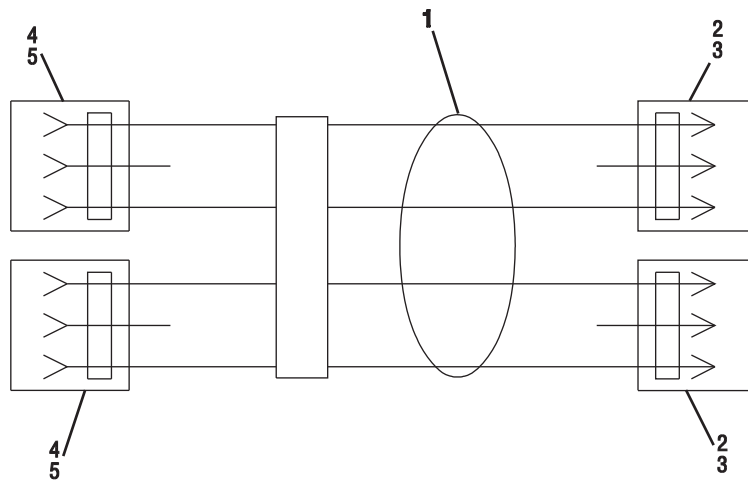


Index No.	Part No.	Description
1.	68-100644-000	Terminal Block to Speaker Cable Assembly
2.	11-612151-000	Crimp Terminal

**Terminal Block to Speaker Cable Assembly
68-100644-000**

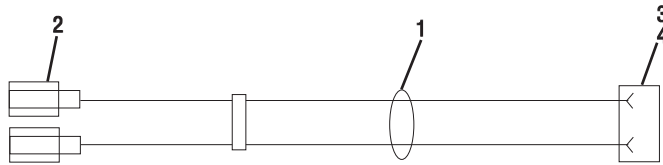
Index No.	Part No.	Description
1.	68-100656-000	RGBS Cable Assembly
2.	11-692308-000	Connector
3.	11-692091-000	Crimp Terminal
4.	11-612010-000	Ring Terminal

**RGBS Cable Assembly
68-100656-000**



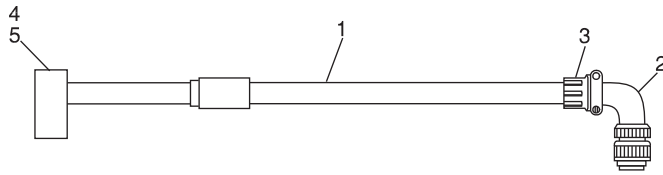
Index No.	Part No.	Description
1.	68-100659-000	Foul to Optical Trigger Cable Assembly
2.	11-680101-000	Plug
3.	11-680302-000	Pin Contact
4.	11-680201-000	Connector
5.	11-680301-000	Terminal

**Foul to Optical Trigger Cable Assembly
68-100659-000**



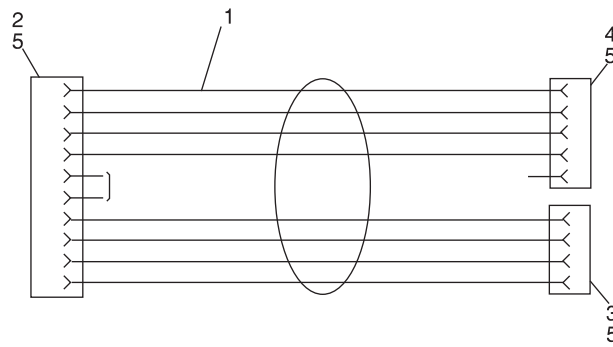
Index No.	Part No.	Description
1.	68-300208-000	Pinsetter Control - Respot Pins Solenoid (Bowlervision/A-2) Cable Assembly
2.	11-612151-000	Spade Receptacle
3.	11-697233-000	Connector
4.	11-680326-000	Terminal

**Pinsetter Control Respot Pins Solenoid
 (Bowlervision/A-2) Cable Assembly
 68-300208-000**



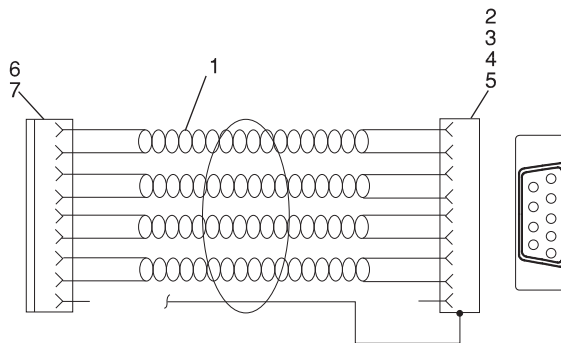
Index No.	Part No.	Description
1.	68-300225-000	AP Control Cable Assembly
2.	11-623001-000	Plug
3.	11-605130-000	Cable Clamp
4.	11-697237-000	Connector
5.	11-680326-000	Terminal

**AP Control Cable Assembly
68-300225-000**



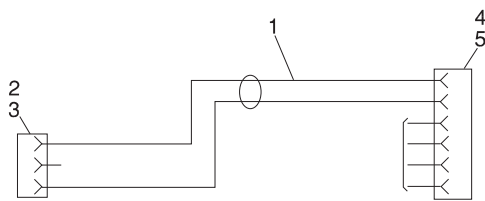
Index No.	Part No.	Description
1.	68-300226-000	BowlerVision/A-2 to Scanner Cable Assembly
2.	11-697218-000	Connector
3.	11-697238-000	Connector
4.	11-697216-000	Connector
5.	11-680326-000	Terminal

**BowlerVision/A-2 to Scanner Cable Assembly
68-300226-000**



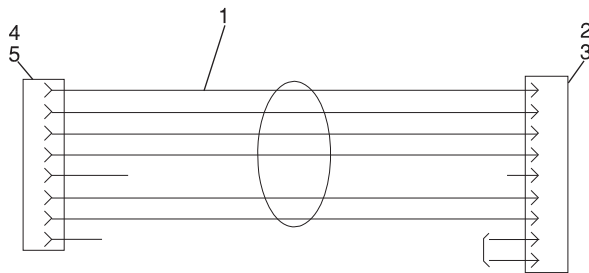
Index No	Part No.	Description
1.	68-300227-000	Local Comline Cable Assembly
2.	11-680995-000	Connector
3.	11-680996-000	Cover
4.	11-680988-000	Screw Retainer
5.	11-680983-000	Socket
6.	11-697217-000	Connector
7.	11-680326-000	Terminal

**Local Comline Cable Assembly
68-300227-000**



Index No.	Part No.	Description
1.	68-300228-000	BowlerVision/A-2 Control Cable Assembly
2.	11-680301-000	Terminal
3.	11-680201-000	Connector
4.	11-697239-000	Connector
5.	11-680326-000	Terminal

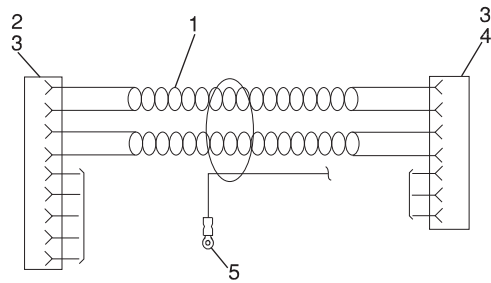
**BowlerVision/A-2 Control Cable Assembly
68-300228-000**



Index No.	Part No.	Description
1.	68-300230-000	BowlerVision/A-2 Overhead Control Cable Assembly
2.	11-680104-000	Plug
3.	11-680302-000	Terminal
4.	N.A.	Connector
5.	11-680326-000	Terminal

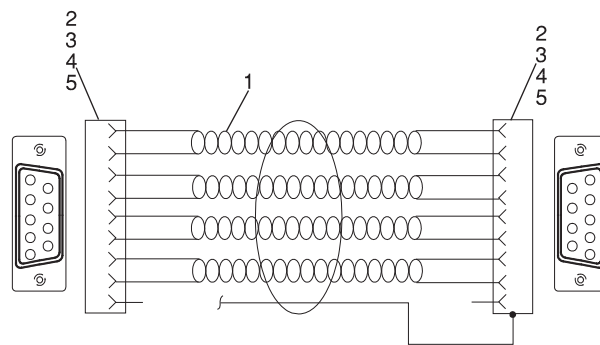
N.A. = No Longer Available

**BowlerVision/A-2 Overhead Control Cable Assembly
68-300230-000**



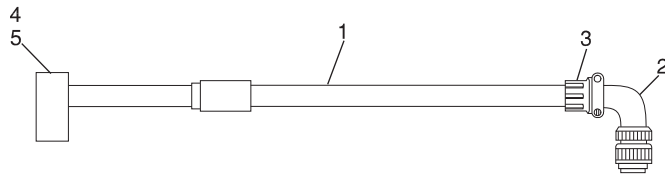
Index No.	Part No.	Description
1.	68-300231-000	BowlerVision/A-2 Pinfall Display Cable Assembly
2.	11-697217-000	Connector
3.	11-680326-000	Terminal
4.	11-697611-000	Connector
5.	11-612006-000	Ring Terminal

**BowlerVision/A-2 Pinfall Display Cable Assembly
68-300231-000**



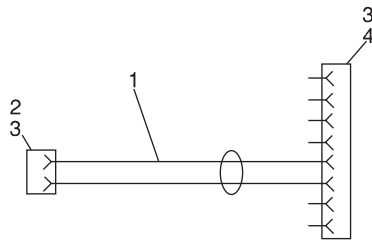
Index No.	Part No.	Description
1.	68-300234-000	Local Comline Cable Assembly
2.	11-680995-000	Connector
3.	11-680996-000	Cover
4.	11-680988-000	Screw Retainer
5.	11-680983-000	Socket

**Local Comline Cable Assembly
68-300234-000**



Index No.	Part No.	Description
1.	68-300236-000	BowlerVision/A-2 AP Control - Left Pinsetter Cable Assembly
2.	11-623001-000	Plug
3.	11-605130-000	Cable Clamp
4.	11-697237-000	Connector
5.	11-680326-000	Terminal

**BowlerVision/A-2 AP Control
Left Pinsetter Cable Assembly
68-300236-000**



Index

No.	Part No.	Description
1.	68-300239-000	Bowlervision Service Light Cable Assembly
2.	11-697233-000	Connector
3.	11-680326-000	Terminal
4.	N.A.	Connector

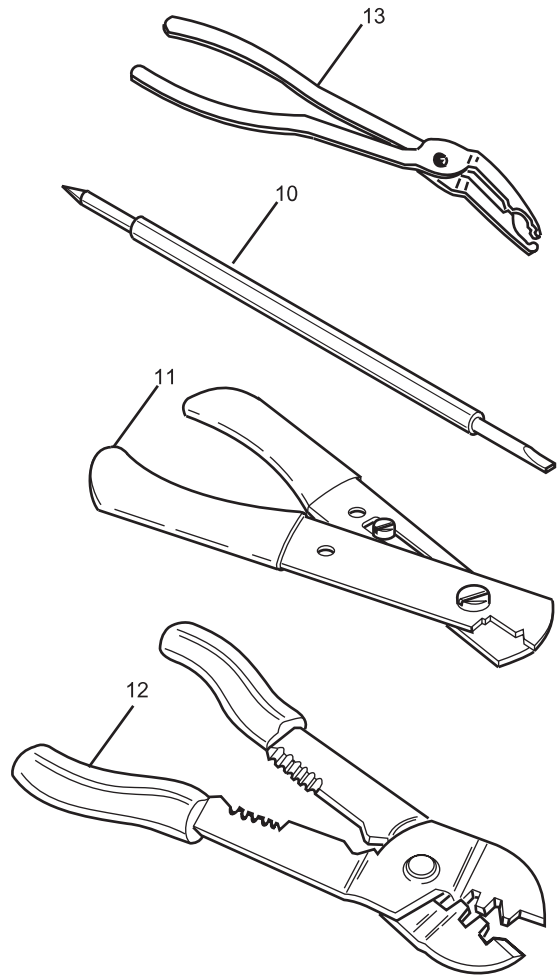
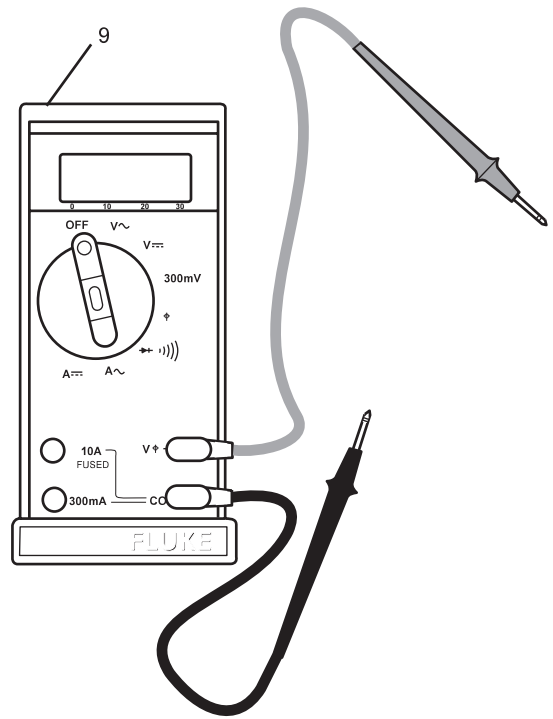
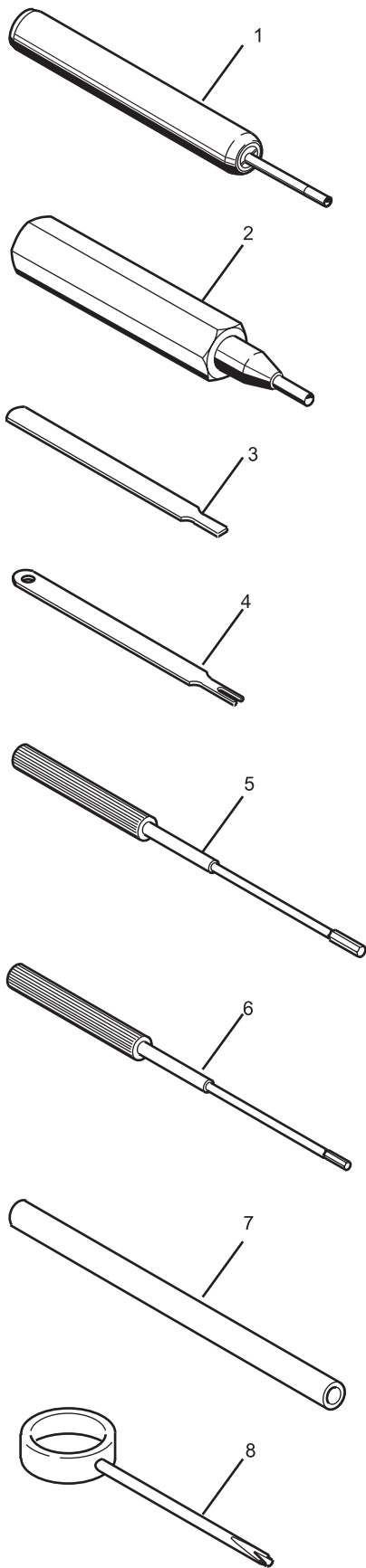
N.A. = No Longer Available

**Bowlervision Service Light Cable Assembly
68-300239-000**

Section H
MISCELLANEOUS

Index. No.	Part Number	Description
1.	57-900102-000	Molex Round Extractor
2.	57-900104-000	AMP Extractor
3.	57-900101-000	Molex Flat Extractor
4.	57-900112-000	Forked Extractor
5.	57-900106-000	PTS Hex Tuning Wand (115-4)
6.	57-900105-000	PTS Hex Tuning Wand (115-2)
7.	57-215053-000	Nylon Locking Support Retraction Tool
8.	57-900109-000	Insertion Tool
9.	57-860295-000	Digital Multi-Meter
10.	57-900107-000	PTS Non-Metallic Screwdriver
11.	57-900108-000	Cutter/Stripper
12.	57-900103-000	Molex Crimper
13.	57-900111-000	Scanner Lamp Pliers

Scorer Technician's Tools

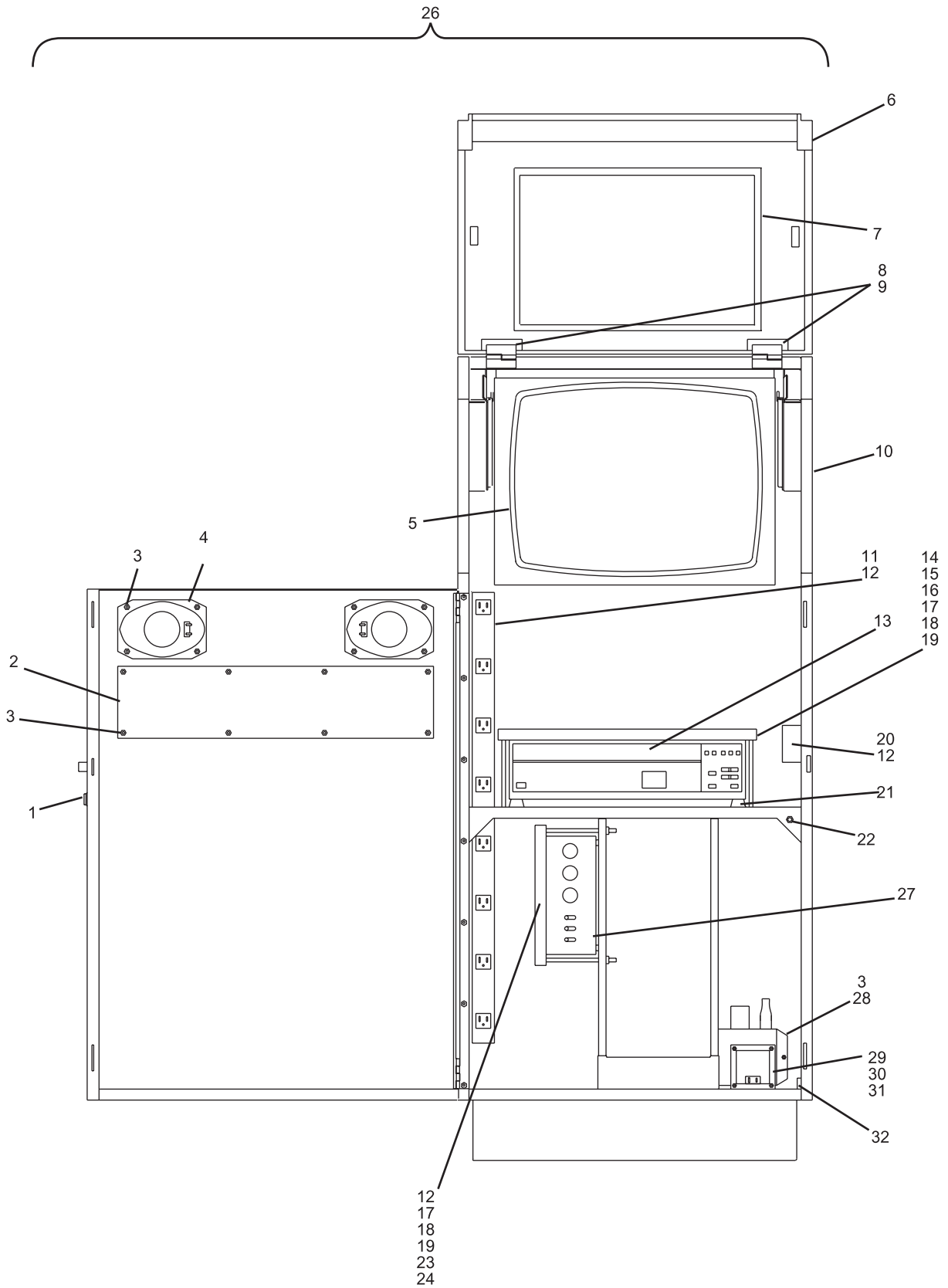


Scorer Technician's Tools

Index No.	Part Number	Description
1.	68-100678-001	Lock and Key Set
2.	68-100678-002	Front Plate
3.	11-176007-001	Keps Nut (#8-32)
4.	68-100678-004	Loud Speaker (4" x 6")
5.	68-100678-006	CRT Assembly (Brunswick Repair/Exchange)
6.	68-100678-007	Upper Door
7.	68-100678-008	Adhesive Back Gasket
8.	68-100678-009	Upper Door Hinge Set
9.	N.A.	Pan Hd. C.R. Metal Screw (#8-32)
10.	68-100678-011	Cabinet
11.	68-100678-012	Receptacle Assembly (120 VAC)
12.	68-100678-013	Double Sided Foam Adhesive
13.	68-860012-000	Laser Disk Video Player (Brunswick Repair/Exchange)
14.	68-100678-014	Hold Down IDV Bracket
15.	68-100678-015	Adhesive Back Gasket
16.	68-100678-016	Hex Hd. Bolt (1/4-20 x 5")
17.	11-090010-001	Flat Washer (#1/4)
18.	11-195014-001	Split Ring Lockwasher (#1/4)
19.	11-125007-001	Hex Head Nut (#1/4-20)
20.	68-100678-020	Controller
21.	68-100678-022	Rubber Adhesive Backed Bumper
22.	68-100678-023	Switch
23.	68-100678-024	Bracket
24.	68-100678-026	Hex Hd. Bolt (#1/4-20 x 4")
25.	*68-860143-000	Information Center Controller Card (GS-92)
26.	68-860133-000	BowlerVision Information Center Assembly - Complete
27.	68-100678-030	Amplifier
28.	68-100678-031	Power Panel Assembly
29.	68-100678-033	Transformer
30.	11-013096-001	Pan Hd. C.R. Screw (#10-32 x 1/2")
31.	11-176008-001	Keps Nut (#10-32)
32.	68-100678-036	Switch
33.	*68-860056-000	Laser Disk
34.	*68-860144-000	Information Center Controller Card (A-2)

*Not Illustrated

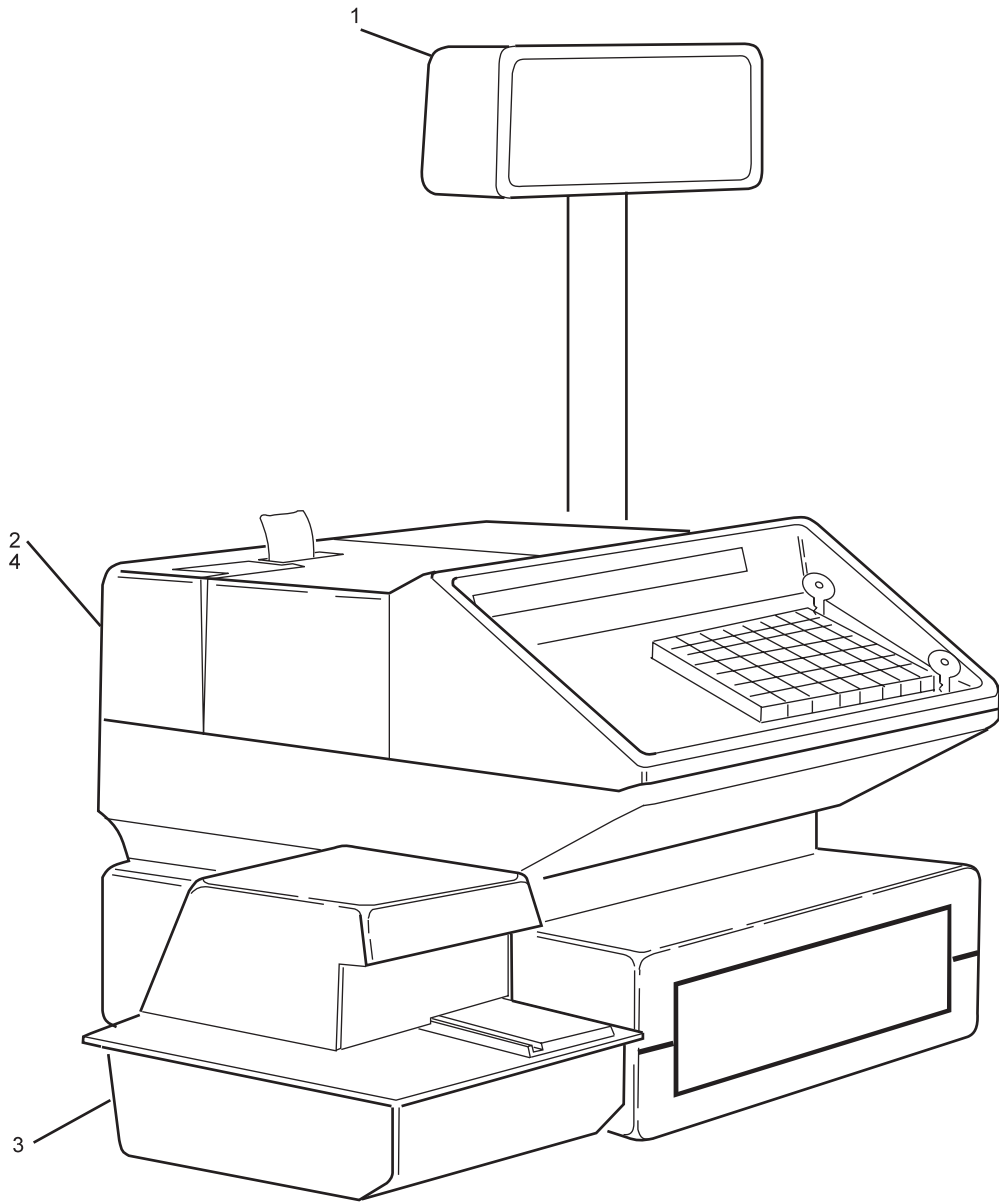
N.A. No Longer Available As An Assembly



BowlerVision Information Center

Index No.	Part Number	Description
1.	N.A.	Customer Display
2.	N.A.	DTS 521 Cash Register
3.	N.A.	Slip Printer
4.	67-860226-000	ANS-R-TRAN PCB

N.A. = No Longer Available



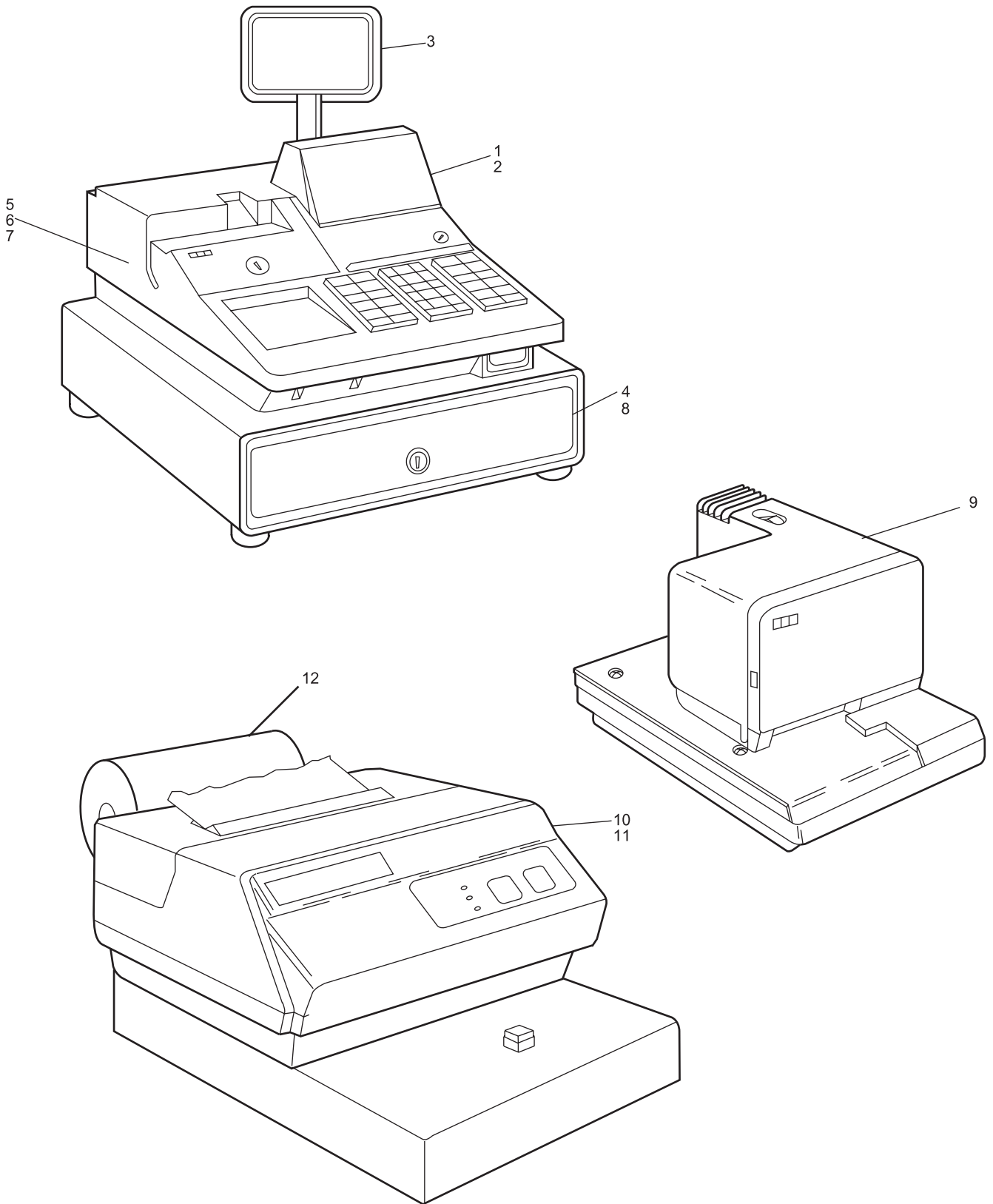
DTS Cash Register

Index No.	Part No.	Description
1.	68-860140-000	NCR Master Cash Register (Model No. 2113-3000)
2.	68-860142-000	Satellite Cash Register
3.	68-860137-000	Customer Display
4.	68-860139-000	Coin Tray
5.	68-860157-000	Ink Rollers
6.	68-860155-000	Receipt Paper
7.	68-860156-000	Detail Paper
8.	68-860138-000	Remote Drawer
9.	68-860136-000	NCR Remote Slip Printer
10.	57-860391-000	Bowler Express Receiving Station
11.	N.A.	Ribbon
12.	57-860412-000	Roll of Paper

Associated Interconnecting Cables

57-215288-000	Master Register Office PC Cable Assembly
57-215284-000	Register to Junction Box Cable Assembly
57-215284-000	Data to Wyse Computer Cable Assembly

NCR Cash Register, Remote Slip Printer and Bowler Express Receiving Station



**NCR Cash Register, Remote Slip Printer
and Bowler Express Receiving Station**

Index No.	Part No.	Description
1.	17-900247-000	Model 79 Optical Scanner Tester Manual
2.	57-900204-000	Model 86 Scanner Tester Manual
3.	57-900250-000	Command Network Manager's Guide
4.	57-900251-000	Command Network Control Desk Terminal User's Guide
5.	57-900252-000	Command Network League Record Service User's Guide
6.	57-900253-000	Command Network Daily Reporting System User's Guide
7.	57-900254-000	Command Network AS-90 User's Guide
8.	57-900255-000	Command Network Training Guide
9.	57-900256-000	AS-90 Scorer Service Manual
10.	57-900257-000	CCD Scanner Tester Manual
11.	57-900259-000	Command Network Tournament System User's Guide
12.	57-900260-000	Command Network Manager's Workbook
13.	57-900261-000	Command Network Control Desk Terminal User's Workbook
14.	57-900262-000	Command Network League Record Service Workbook
15.	57-900263-000	Command Network Daily Reporting System Workbook
16.	57-900266-000	NCR 2113-3000 Cash Register Manager's Guide
17.	57-900267-000	Scoring System Service Manual
18.	57-900268-000	AS-K Scorer/1.5 Manager's Control User's Guide
19.	57-900269-000	Command Network Communications User's Guide
20.	57-900271-000	Command Network Control Desk Terminal User's Quick Reference Guide
21.	57-900272-000	Command Network League Record Service Quick Reference Guide
22.	57-900273-000	Command Network Daily Reporting System Quick Reference Guide
23.	57-900280-000	Command Network AS-90 with 5 Pin Scoring User's Guide
24.	57-900306-000	Automatic Scorer Service Parts Catalog
25.	67-900010-000	Source Power Overview Manual
26.	67-900011-000	League Record Service Manual
27.	67-900012-000	Tournament System Manual
28.	67-900013-000	Daily Reporting System Manual
29.	67-900014-000	Accounting System Manual
30.	67-900015-000	Accounts Payable Manual
31.	N.A.	General Ledger User's Manual
32.	67-900017-000	Inventory Manual
33.	67-900018-000	Payroll User's Manual
34.	67-900019-000	Communications User's Guide
35.	68-900003-000	BowlerVision MCD Playpad User's Guide
36.	68-900004-000	BowlerVision MCD Terminal User's Quick Reference Guide
37.	68-900005-000	BowlerVision MCD Terminal Manager's Guide
38.	68-900006-000	BowlerVision MCD Terminal User's Guide
39.	68-900007-000	BowlerVision Cash Register Manager's Guide
40.	68-900008-000	BowlerVision Cash Register User's Guide
41.	68-900009-000	BowlerVision Cash Register User's Quick Reference Guide
42.	68-900010-000	BowlerVision MCD User's Orientation, Self-Study, and Practice Guide
43.	68-900011-000	BowlerVision Manager's Orientation, Self Study, and Practice Guide

N.A. No Longer Available

Manuals