



*Service Parts Catalog*

---

# **Classic Scorer**

March 2003 / 57-900608-000

**Brunswick®** 

CUSTOMER SERVICE

A tradition in excellence.

## **Classic Scorer Service Parts Catalog**

© March 2003 by the Brunswick Bowling and Billiards Corporation. All rights reserved.

Past Revisions: April 2002

Classic Scorer is a registered trademark of the Brunswick Bowling and Billiards Corporation.

Reorder Part No. 57-900608-000

Notice: If available, updates to this manual can be found on-line at [www.centermaster.com](http://www.centermaster.com).

All information contained in this document is subject to change without notice.

Brunswick Indoor Recreation Group

525 West Laketon Avenue

P.O. Box 329

Muskegon, MI 49443-0329

U.S.A.

231.725.3300

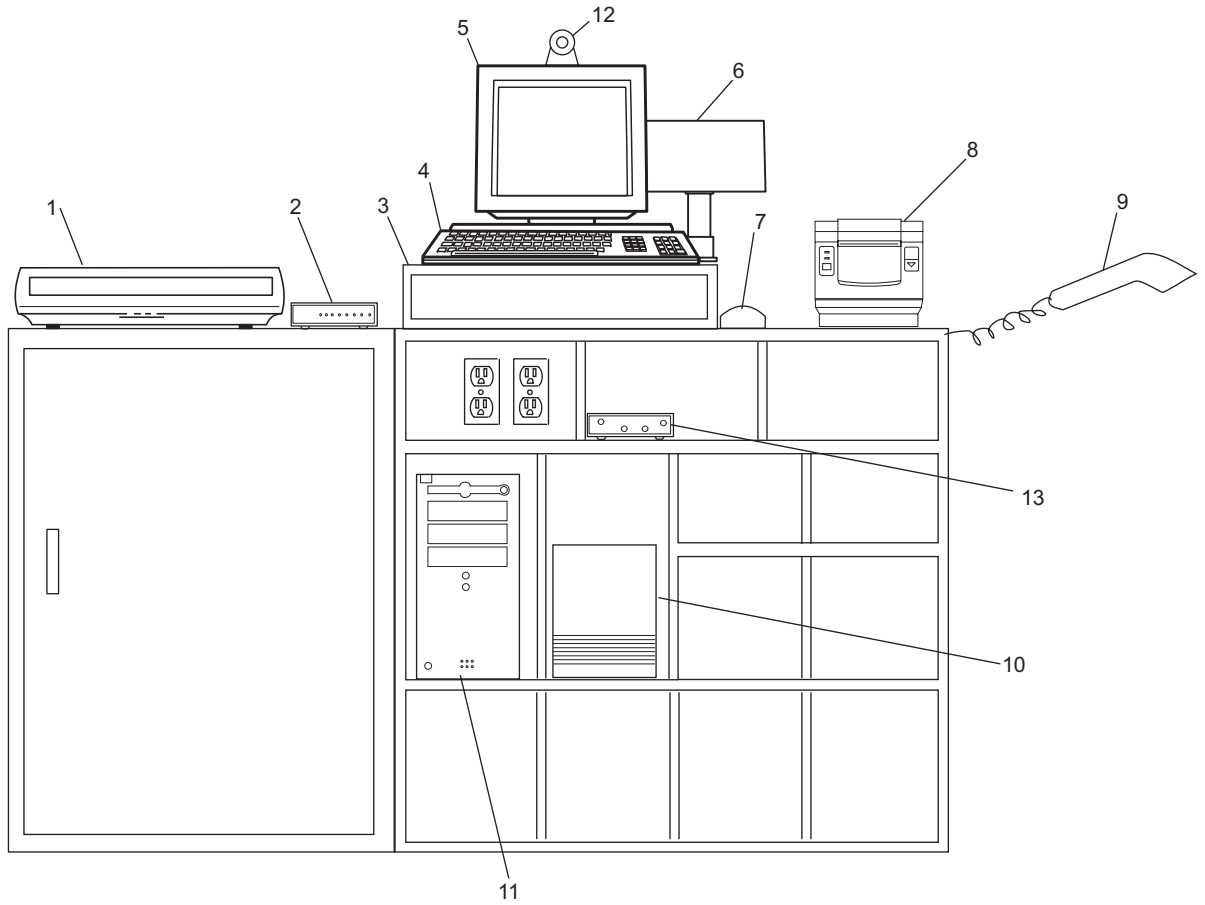
# Table of Contents

Classic Scorer Control Desk .....	4
Classic Scorer Office .....	6
28"/33" Classic Scorer Overhead and Mounting .....	8
Classic Scorer .....	10
Classic Server .....	14
Classic Scorer Cables .....	16

<b>Index No.</b>	<b>Part No.</b>	<b>Description</b>
1.	57-861017-000	Printer HP 1100 110/120V - North America
	57-861564-000	Color Inkjet Printer (optional)
	57-861716-000	HP 1200 LaserJet Printer, 110/120V
2.	57-861775-000	Modem (56k)
3.	57-861565-000	Cash Drawer
4.	57-863121-000	Keyboard
5.	57-861559-000	15" Monitor
	57-861560-000	15" Monitor with Touchscreen (optional) (Brunswick Repair/Exchange)
	57-861561-000	17" Monitor (optional)
	57-861662-000	17" Monitor with Touchscreen (optional) (Brunswick Repair/Exchange)
6.	57-861567-000	Customer Pole Display, 120V - North America only (Brunswick Repair/Exchange)
	57-861659-000	Customer Pole Display, 220V - International (Brunswick Repair/Exchange)
7.	57-861744-000	Mouse
8.	57-863415-000	Receipt Printer, 120V - North America (Brunswick Repair/Exchange)
	57-863416-000	Receipt Printer, 220V - International (Brunswick Repair/Exchange)
9.	57-863406-000	Bar Code Scanner (Brunswick Repair/Exchange)
10.	57-861590000	UPS,120V - North America
	57-863438-000	UPS, 220V - International
11.	57-863451-400	Server Computer
12.	57-863407-000	Camera (for Windows NT)
	57-863450-000	Camera (for Windows 2000)
13.	57-863441-000	4 Port Hub (Netgear)

*The following accessories, available for purchase, are not illustrated:*

57-861660-000	Membership Cards (Pkg. of 500)
67-860251-000	Printer Paper Sheets for items 57-861017-000 and 57-860652-000
57-861674-000	Printer Paper Sheets for items 57-861563-000 and 57-863564-000

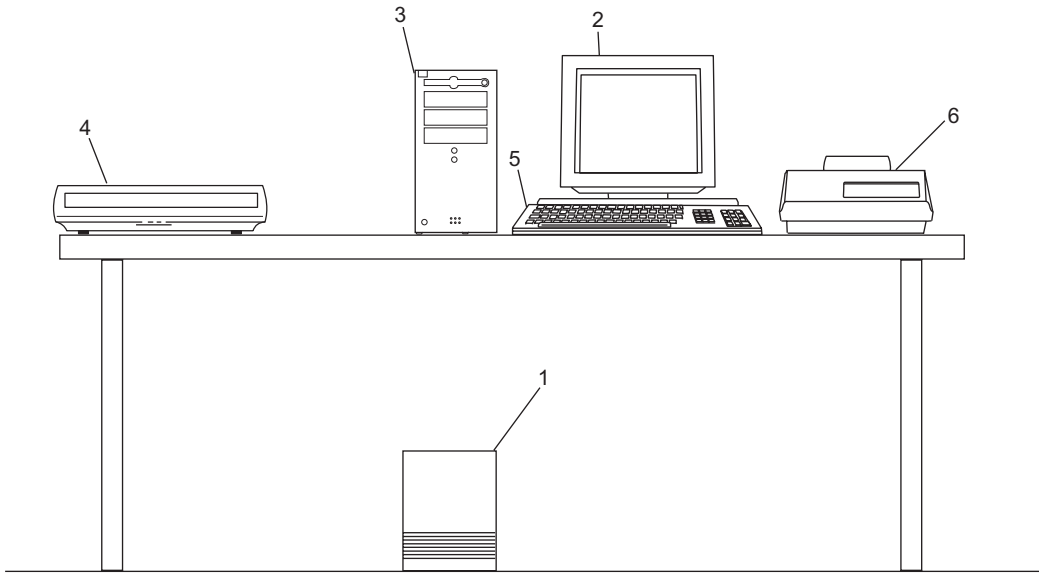


## Classic Scoreer Control Desk

<b>Index No.</b>	<b>Part No.</b>	<b>Description</b>
1.	57-861590000	UPS,120V - North America only (Brunswick Repair/Exchange)
	57-863438-000	UPS, 220V - international (Brunswick Repair/Exchange)
2.	57-861559-000	15" Monitor
	57-861560-000	15" Monitor with Touchscreen (optional) (Brunswick Repair/Exchange)
	57-861561-000	17" Monitor (optional)
	57-861662-000	17" Monitor with Touchscreen (optional) (Brunswick Repair/Exchange)
3.	57-863452-400	Client Computer
4.	57-861017-000	Printer HP 1100 110/120V - North America
	57-861564-000	Color Inkjet Printer (optional)
	57-861716-000	HP 1200 LaserJet Printer, 110/120V
5.	57-863121-000	Keyboard
6.	57-863415-000	Receipt Printer, 120V - North America
	57-863416-000	Receipt Printer, 220V - International

*The following accessories available for purchase, are not illustrated:*

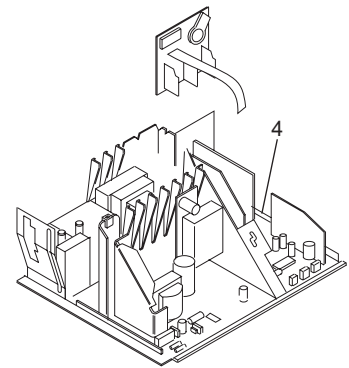
67-860251-000	Printer Paper Sheets for items 57-861017-000 and 57-860652-000
57-861674-000	Printer Paper Sheets for items 57-861563-000 and 57-863564-000



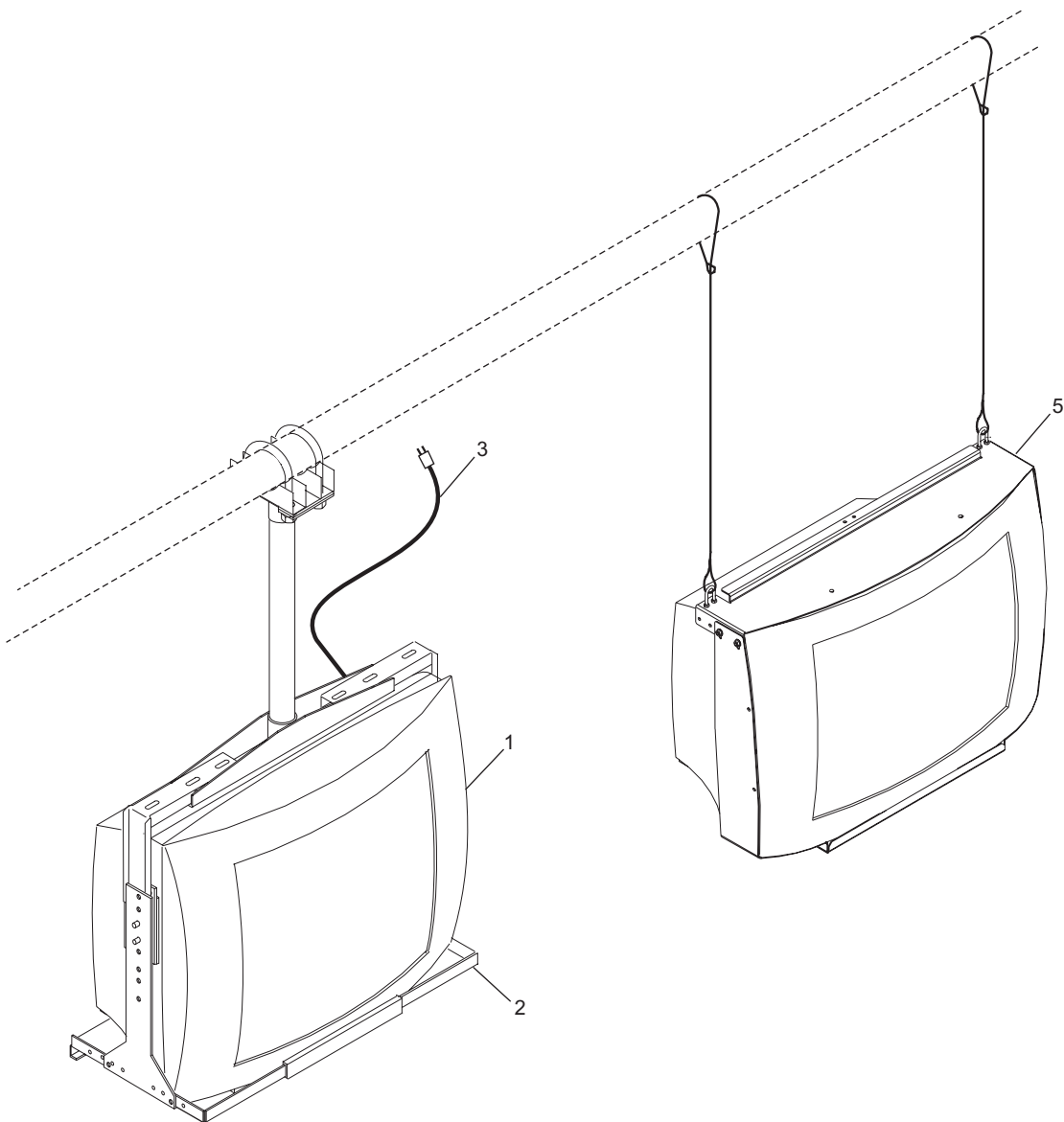
**Classic Scorer Office/Cash Terminal**

<b>Index No.</b>	<b>Part No.</b>	<b>Description</b>
1.	57-863227-000	28" Monitor (100Hz) - complete (Brunswick Repair/Exchange)
	57-863015-000	28" Monitor (50Hz) - complete
	57-863222-000	33" Monitor (100Hz) - complete (Brunswick Repair/Exchange)
	57-863224-000	33" Monitor (50Hz) - complete
2.	57-863436-000	28" Monitor Support, Ceiling Mount
	57-863437-000	33" Monitor Support, Ceiling Mount
3.	57-863204-000	Power Cable - North America only
4.	57-863016-000	Grundig Chassis 28"/50Hz
	57-863012-000	Grundig Chassis 28"/100Hz
	57-863014-000	Grundig Chassis 33"/50Hz
5.	57-863444-000	Hanging System Ceiling Mount for 28" Monitor (100 Hz)
	57-863448-000	Hanging System Ceiling Mount for 28" Monitor (50 Hz)



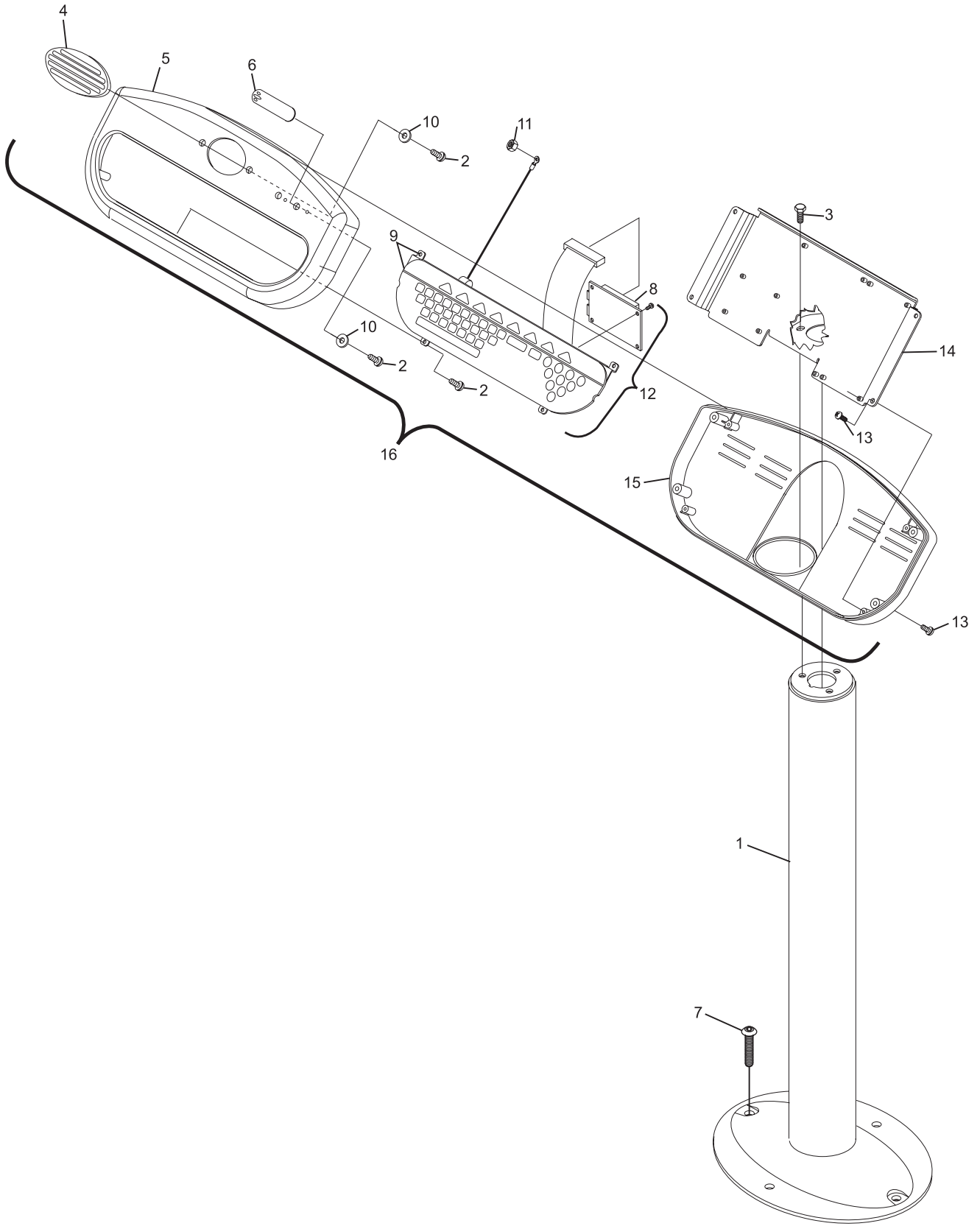


28"/33", 100Hz/50Hz Chassis



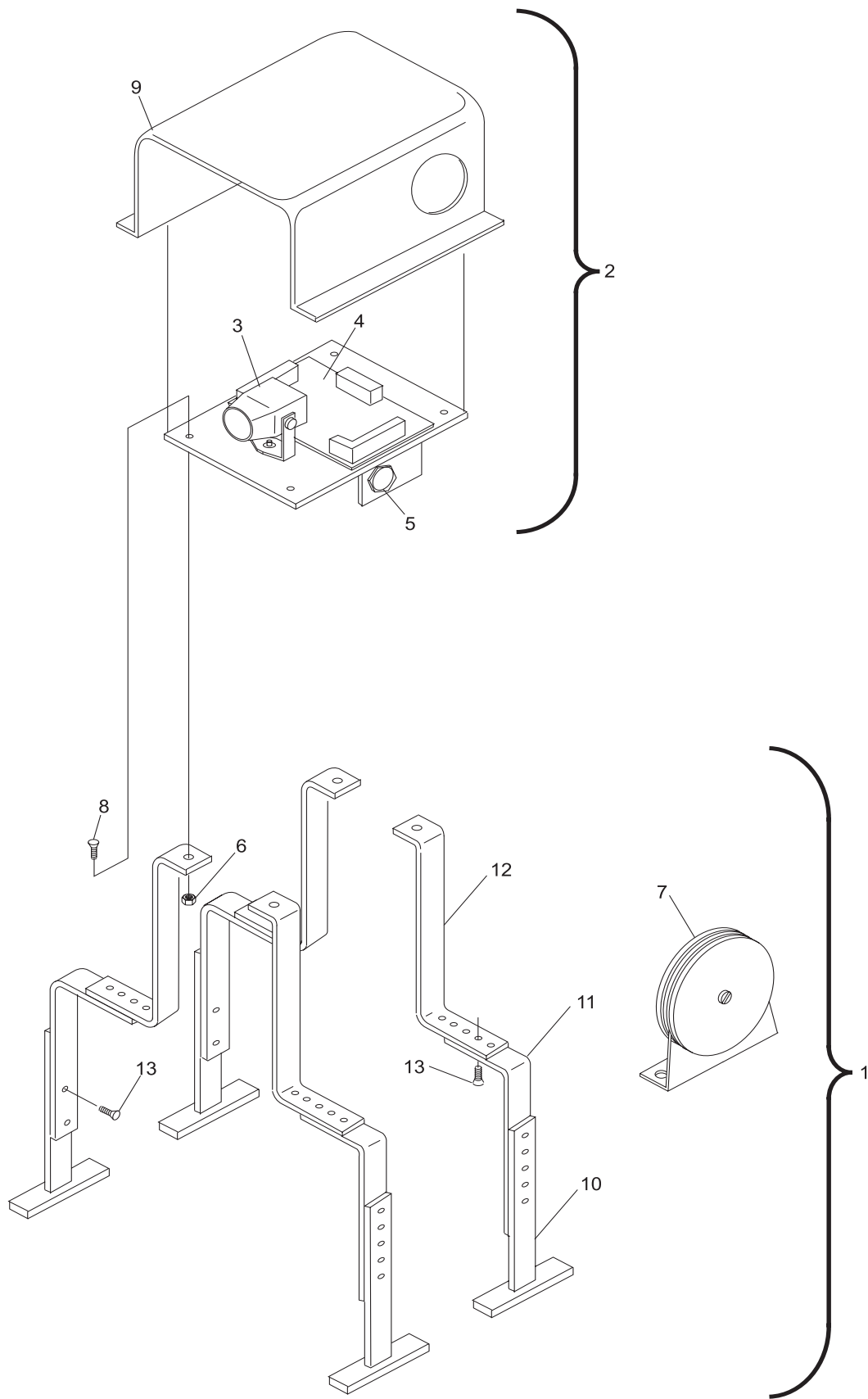
### 28"/33" Classic Scorer Overhead and Mounting

<b>Index No.</b>	<b>Part No.</b>	<b>Description</b>
1.	57-861490-000	Support Post (with mounting hardware)
2.	11-012021-001	Pan Head CR Screw w/Internal Tooth Lockwasher (#6-32 x 5/16)
3.	11-001178-001	Hex Head Cap Screw (1/4-20 x 1/2")
4.	57-300068-000	Speaker Cover
5.	57-300338-001	Cover - front
6.	57-300069-101	Vent Cover
7.	53-400301-003	Mounting Hardware
8.	57-863001-400	Keyboard Controller PCB (Brunswick Repair/Exchange)
9.	57-863160-000	Keyboard Membrane (includes Bracket)
10.	11-190002-001	Washer - plain (#6)
11.	11-176005-001	Hex Nut w/Internal Tooth Lockwasher (#6-32)
12.	57-500006-400	Keyboard Assembly (includes Bracket and Keyboard Controller PCB)
13.	11-012058-001	Pan Head CR w.Internal Tooth Lockwasher (38-32 x 3/8)
14.	57-500008-000	Mounting Bracket
15.	57-300337-001	Cover - back
16.	57-863115-400	Scorer Console Assembly - with mounting hardware (Support Post not included)



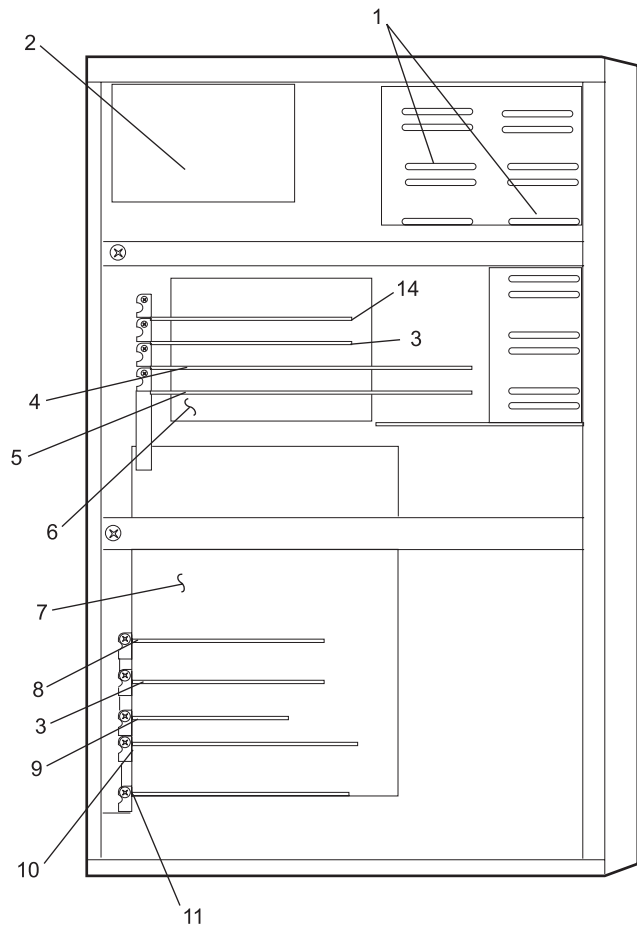
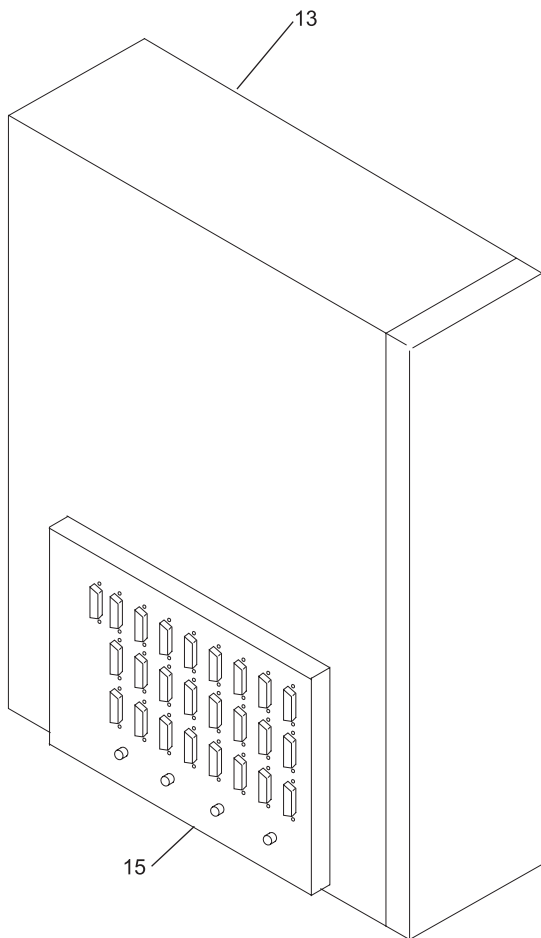
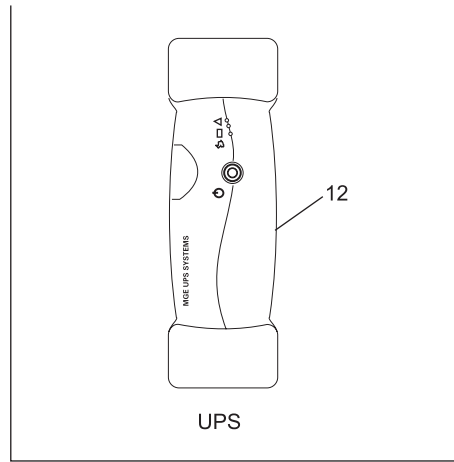
### Classic Scorer

<b>Index No.</b>	<b>Part No.</b>	<b>Description</b>
1.	57-863127-000	Scanner Mounting Kit Complete (includes Mounting Adhesive, Brackets, Reflector, and Hardware)
2.	57-863110-400	Camera Assembly with Cover (Brunswick Repair/Exchange)
3.	57-500074-000	Camera (Brunswick Repair/Exchange)
4.	57-863159-000	Distribution Board (Brunswick Repair/Exchange)
5.	57-500074-005	Ball Detect (Brunswick Repair/Exchange)
6.	11-124001-000	Nut (#6-32)
7.	57-860507-000	Reflector Assembly
8.	11-012274-001	Screw - Pan Hd. C.R. (#6-32 x 1/2)
9.	57-500080-000	Hood
10.	57-500066-000	Leg (part A)
11.	57-500067-000	Leg (part B)
12.	57-500068-000	Leg (part C)
13.	11-014084-001	Screw - Flat Hd. C.R. (#10-24 x 1/2)
14.	11-676204-000	Mounting Adhesive (not illustrated)



**Classic Camera**

<b>Index No.</b>	<b>Part No.</b>	<b>Description</b>
1.	57-300264-000	Hard Drive (Brunswick Repair/Exchange)
2.	57-863140-000	Power Supply
3.	57-863153-000	Serial PCB (PCI) (CI04-Distribution/Pinsetter) This board has components on one side only (Brunswick Repair/Exchange)
	57-863142-000	Serial PCB (ISA) (CI04-Distribution only)This board has components on one side of board only (Brunswick Repair/Exchange)
4.	57-863149-400	Camera Image PCB (Brunswick Repair/Exchange)
5.	57-863150-400	Overhead Video PCB (Brunswick Repair/Exchange)
6.	57-863158-000	ISA Expansion Board
7.	57-863141-400	Motherboard
8.	57-863157-000	VGA Monitor PCB
9.	57-863423-000	Sound PCB
10.	57-861591-000	Ethernet PCB
11.	57-863424-000	PET48-DIO ISA (Brunswick Repair/Exchange)
12.	57-861590-000	UPS (120V)
	57-863438-000	UPS (220V)
13.	57-863152-400	Lane Server (Non GS Pinsetters) (Brunswick Repair/Exchange)
	57-863011-400	Lane Server (GS Pinsetters) (Brunswick Repair/Exchange)
14.	57-863143-400	Serial PCB (Pinsetters) - This board has components on both sides (Brunswick Repair/Exchange) (C168-KeyBoard Comm)
15.	57-863151-000	Patch Panel PCB with metal mounting



## Classic Server

<b>Index No.</b>	<b>Part No.</b>	<b>Description</b>
1.	27-619042-000	Ethernet Cable, 50 OHM Coax - bulk cable
2.	57-863102-000	Console to Console Cable Assembly
3.	27-609938-000	Foul, Distribution to Foul Detector Cable - bulk cable
4.	57-863202-000	Lane Server to Overhead Monitor Cable Assembly
5.	57-863101-000	Lane Server to Console Cable Assembly
6.	57-863108-000	Distribution Board to Lane Server Cable Assembly
7.	57-863107-000	Camera Video Cable Assembly



