



Service Parts Catalog

Vector[™] Scorer

April 2004 / 57-900620-000

Brunswick[®] 

CUSTOMER SERVICE

A tradition in excellence.

Vector Scorer Service Parts Catalog

© April 2004 by Brunswick Bowling & Billiards Corporation. All rights reserved.

Vector Scorer is a registered trademark of Brunswick Bowling & Billiards Corporation.

Reorder Part No. 57-900620-000

Notice: If available, updates to this manual can be found on-line at www.brunswicktechteam.com.

All information contained in this document is subject to change without notice.

Brunswick Bowling & Billiards
525 West Laketon Avenue
P.O. Box 329
Muskegon, MI 49443-0329
U.S.A.

231.725.3300

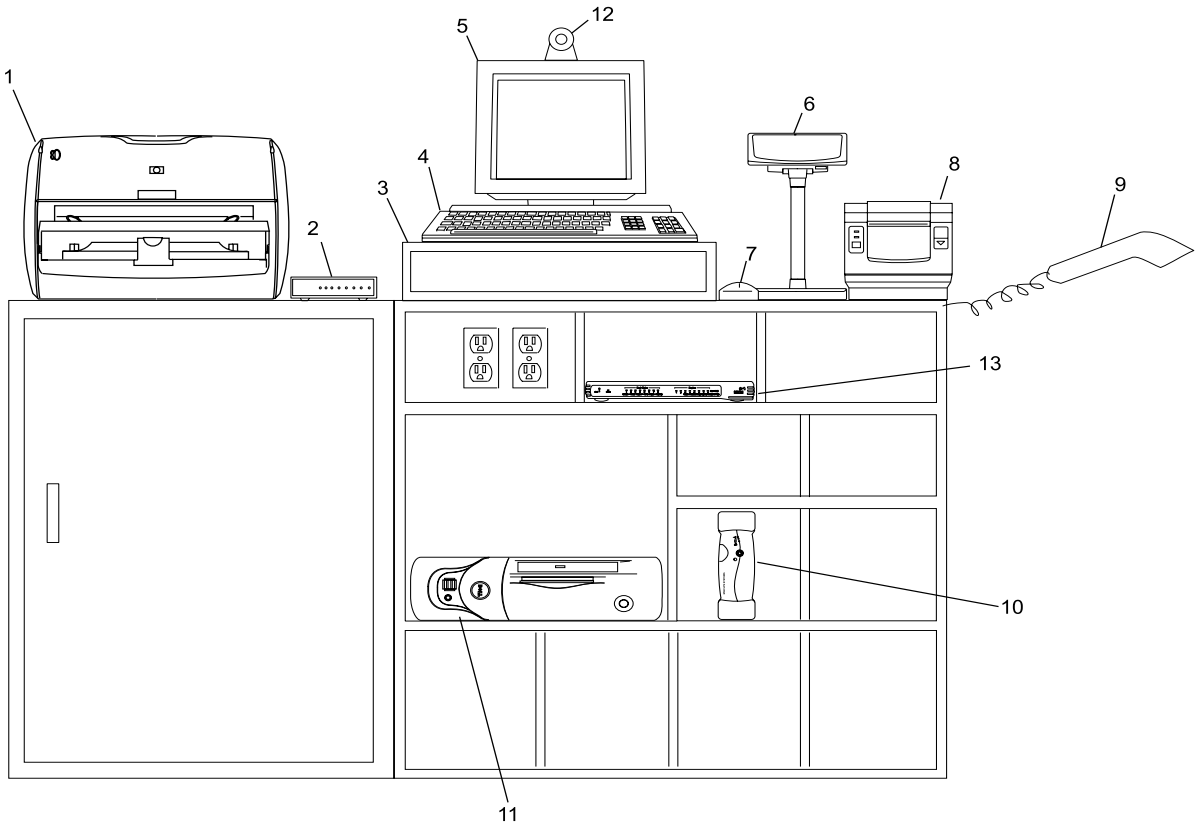
Contents

Vector Scorer Control Desk.....	4
Vector Scorer Office/Cash Terminal.....	6
Vector 27" Color Overhead Monitor.....	8
Vector 36" Color Overhead Monitor.....	10
Vector 27" Overhead Monitor Tube Rack Assembly.....	12
Vector 36" Overhead Monitor Tube Rack Assembly.....	14
Vector Scorer Keypad.....	16
Vector Scorer LCD.....	18
Vector Camera.....	20
Vector Scoring Computer Keypad/LCD.....	22
Vector Keypad Scorer Cables.....	24
Vector LCD Scorer Cables.....	26

Index No.	Part No.	Description
1.	57-861017-000	Printer HP 1100 110/120V - North America
	57-861781-000	HP 1300 LaserJet Printer, 110/120V
2.	57-861775-000	Modem (56k)
3.	57-861780-000	Cash Drawer
4.	57-863121-000	Keyboard
5.	57-861560-800	15" Monitor with Touchscreen - optional (Brunswick Rapid Exchange)
	57-861561-000	17" Monitor - optional
	57-861561-800	17" Monitor with Touchscreen - optional (Brunswick Rapid Exchange)
6.	57-861567-800	Customer Pole Display, 120V - North America only (Brunswick Rapid Exchange)
	57-861659-800	Customer Pole Display, 220V - International (Brunswick Rapid Exchange)
7.	57-861774-000	Mouse, Logitech - Black
8.	57-863408-800	Receipt Printer, 120V - North America (Brunswick Rapid Exchange)
9.	57-500821-800	Bar Code Scanner (Brunswick Rapid Exchange)
10.	57-861590-000	UPS,120V - North America
	57-863438-000	UPS, 220V - International
11.	57-863185-400	V2 Server Computer
12.	57-863450-000	Camera (for Windows 2000)
13.	57-863183-000	8 Port Ethernet Switch
	57-863178-007	Cable, CAT5E Ethernet (7')
	57-863178-300	Cable, CAT5E Ethernet (300')

The following accessories, available for purchase, are not illustrated:

57-861717-000	Membership Cards (Pkg. of 500)
67-860251-000	Printer Paper Sheets for items 57-861017-000 and 57-860652-000
57-861674-000	Printer Paper Sheets for items 57-861563-000 and 57-863564-000

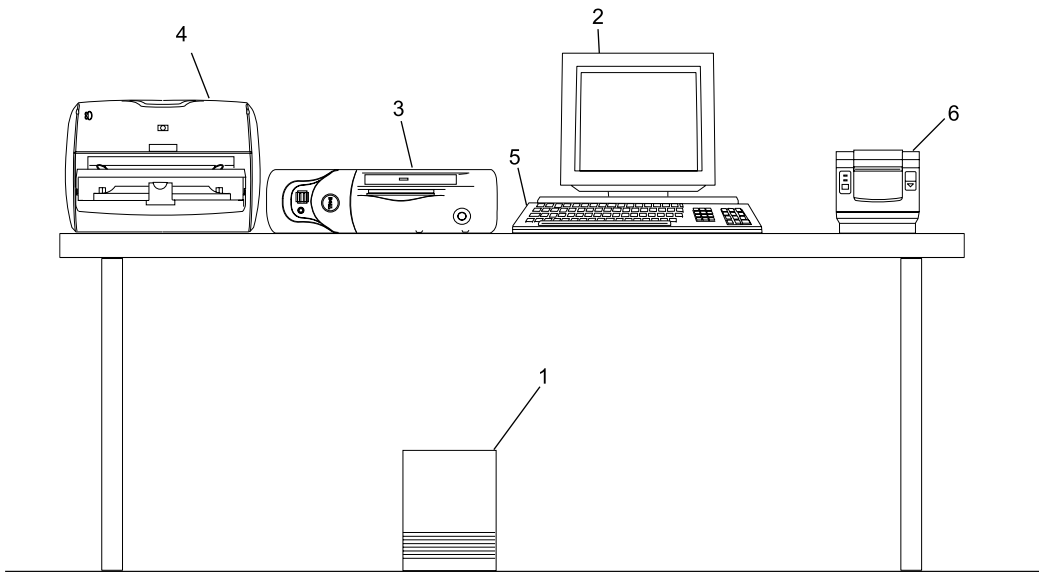


Vector Scorer Control Desk

Index No.	Part No.	Description
1.	57-860588-850	UPS,120V - North America only (Brunswick Rapid Exchange)
	57-860588-860	UPS, 220V - international (Brunswick Rapid Exchange)
2.	57-861560-800	15" Monitor with Touchscreen (optional) (Brunswick Rapid Exchange)
	57-861561-000	17" Monitor (optional)
	57-861561-800	17" Monitor with Touchscreen (optional) (Brunswick Rapid Exchange)
3.	57-863242-400	V2 Client Computer GX60
4.	57-861017-000	Printer HP 1100 110/120V
	57-861781-000	HP 1300 LaserJet Printer, 110/120V
5.	57-863121-000	Keyboard
6.	57-863465-000	Receipt Printer, 120V - North America
	57-863466-000	Receipt Printer, 220V - International

The following accessories available for purchase, are not illustrated:

67-860251-000	Printer Paper Sheets for items 57-861017-000 and 57-860652-000
57-861674-000	Printer Paper Sheets for items 57-861563-000 and 57-863564-000



Vector Scorer Office/Cash Terminal

Index

No.	Part No.	Description
1.	57-861635-000	Fuse, 2.0A, 250-Volt Slow Blow (110/120 VAC)
	57-861636-000	Fuse, 1.0A, 250-Volt Quick Blow (220/240 VAC)
2.	N.A.	PCB Stand Off w/Adhesive Backing
3.	N.A.	Self-Tapping Screw (#4-24 x 1/4")
4.	57-500034-000	AC Power Panel
5.	N.A.	Pan Hd. C.R. Screw (#8-18 x 1/2")
6.	57-300366-000	AC Power Receptacle (115V/220V) Assembly
7.	11-176007-001	Keps Nut (#8-32)
8.	57-300037-001	Overhead Monitor Bezel
9.	57-300116-000	"J" Bolt
10.	57-861201-000	Terminator Assembly
11.	11-125102-001	Nut
12.	11-176000-001	Keps Nut
13.	N.A.	Flanged Hex Hd. Cap Screw (1/4-20 x 3/4")
14.	11-195014-001	Lockwasher
15.	N.A.	Plain Washer
16.	57-300119-000	Degaussing Coil
17.	10-131006-000	U-Bolt (1-3/4")
18.	11-012022-001	Pan Hd. C.R. Screw W/Lockwasher (#6-32 x 3/8")
19.	57-500291-800	Video Receiver PCB (Brunswick Rapid Exchange)
20.	57-215806-800	Adjustment PCB w/Cable (Brunswick Rapid Exchange)
21.	57-214276-008	Door Retaining Latch
22.	57-300221-000	Door Assembly
23.	57-300010-000	Color Overhead Monitor Enclosure
24.	11-012132-001	Pan Hd. Screw w/Lockwasher (1/4-20 x 1/2")
25.	57-300172-000	Door Retaining Cable
26.	57-300365-000	Transformer Assembly
27.	11-002008-001	Hex Head Cap Screw (1/4-20 x 2")
28.	57-300118-000	Yoke Cable Assembly
29.	57-300120-800	27" Ceronix Main PCB & Neck Board Assembly (Brunswick Rapid Exchange)
30.	N.A.	Pan Hd. Screw W/Lockwasher (#4-40 x 5/16")
31.	57-300032-000	Overhead Video Cable Assembly
32.	57-215809-000	Monitor Power Assembly
33.	57-300030-000	Overhead Power Control Cable Assembly
34.	11-672522-000	Relay (12VDC DPST)

* *Not Illustrated*
N.A. = No Longer Available

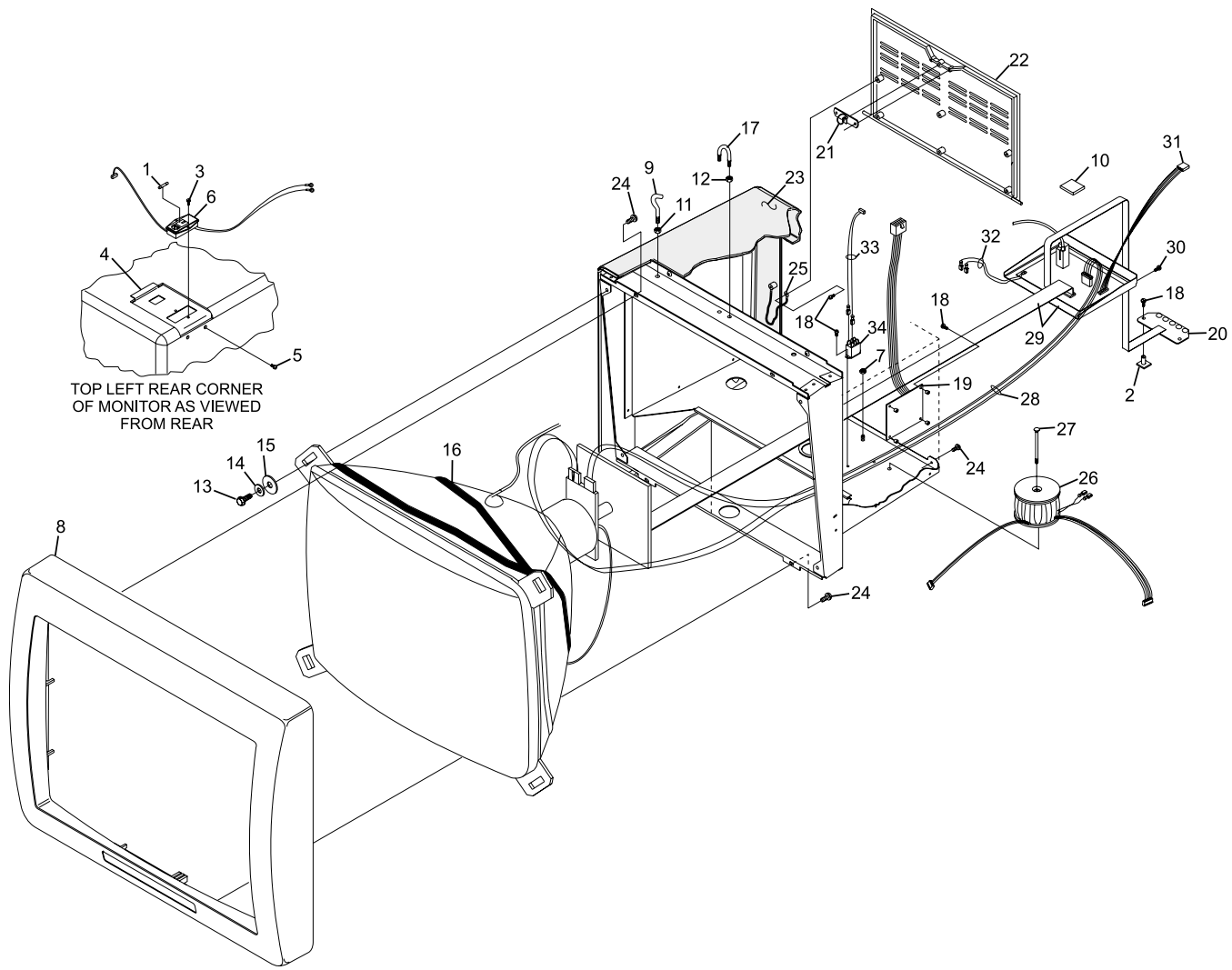
Overhead Assemblies

*57-863201-000	27" Monitor Package Color Overhead
*57-500032-800	27" Monitor (Brunswick Rapid Exchange)
*57-863021-400	27" TV Only Overhead Monitor
*57-863205-000	27" Overhead Spare Parts Kit consist of:
1 57-861307-000	Main PCB Assembly - 27" Color Overhead Monitor
1 57-861187-000	Remote PCB Assembly - 27" Color Overhead Monitor
1 57-500291-000	Video Interface PCB Assembly
3 57-861635-000	Fuse - 2.0A, 5 mm x 20mm, 250V Slo-Blow
3 57-861636-000	Fuse - 1.0A, 5 mm x 20mm, 250V Slo-Blow
1 11-672522-000	Relay - DPST 12VDC
1 N.A.	Instruction Sheet - not sold separately

Associated Interconnecting Cables

57-863208-000	Overhead Video Lane Cable
57-863209-000	Global Video Lane to Lane Cable, Single Configuration
57-861165-000	Global Video Lane to Lane Cable, Double Configuration and Triple Configuration
57-863216-000	Global Video Cable, Overhead to Overhead , Double and Triple Configuration
57-500324-000	LAN Cable, TV Only to TV Only

Vector 27" Color Overhead Monitor



Vector 27" Color Overhead Monitor

Index No.	Part No.	Description
1.	57-300365-000	Transformer Assembly
2.	11-002008-001	Hex Head Cap Screw (1/4-20 x 2")
3.	57-301010-000	36" CRT
4.	57-500291-800	Video Receiver PCB Assembly (Brunswick Rapid Exchange)
5.	57-301032-000	A.C. Power Receptacle
6.	57-861873-000	Package - Slow Blo Fuses (1.6 A 250V)
7.	57-861874-000	Package - Slow Blo Fuses (3.0 A 250V)
8.	N.A.	Panel - Power Entry
9.	57-301027-810	Main PCB Set Assembly (Brunswick Rapid Exchange)

* *Not Illustrated*

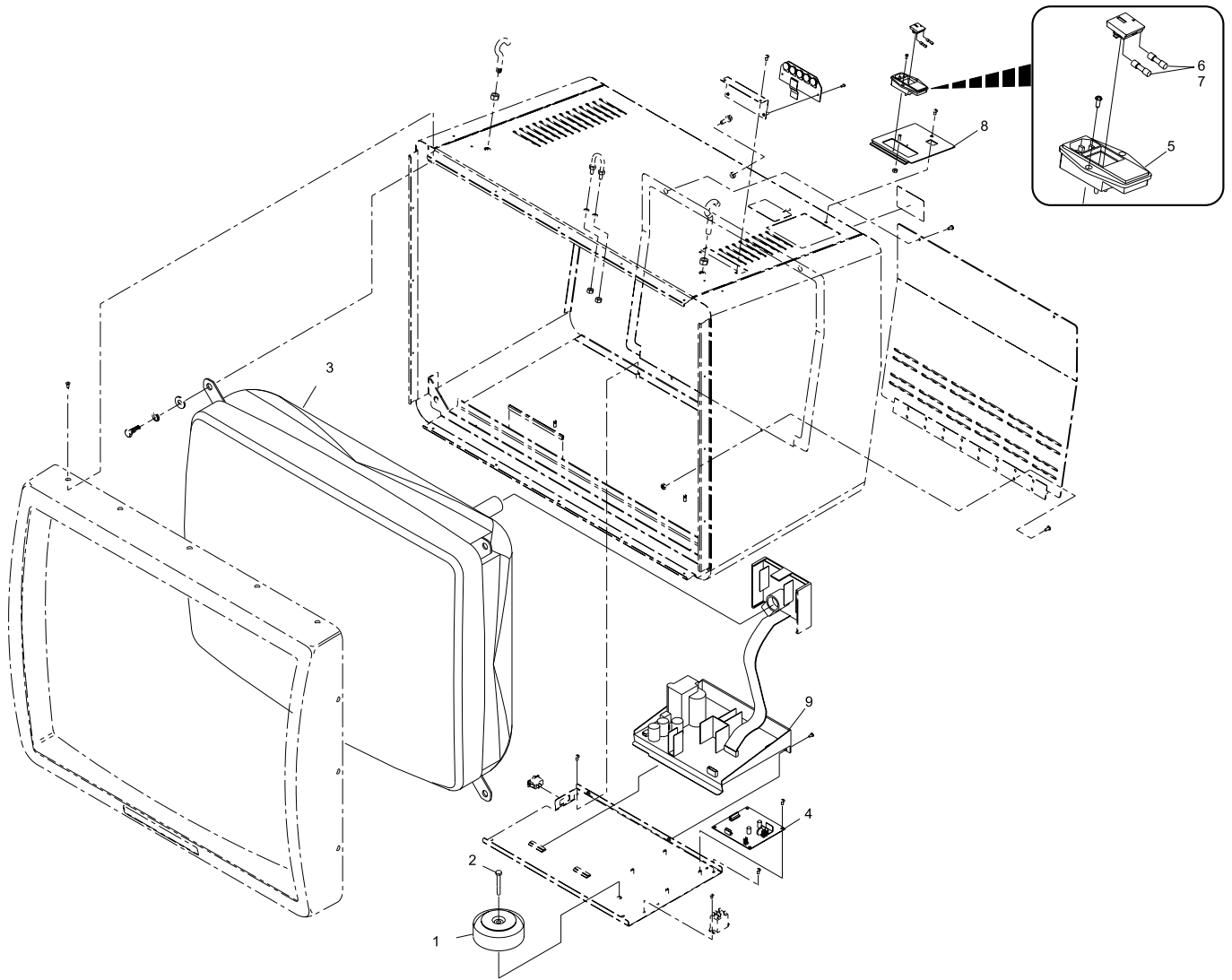
N.A. = No Longer Available

Overhead Assemblies

*57-863203-000	36" Monitor Package Color Overhead
*57-500101-800	36" Monitor (Brunswick Rapid Exchange)
*57-863020-400	36" TV Only Overhead Monitor
*57-863206-000	36" Overhead Spare Parts Kit consists of:
1 57-301027-000	Main PCB Assembly - 36" Color Overhead Monitor
1 57-301031-000	Remote PCB Assembly - 36" Color Overhead Monitor
1 57-500291-000	Video Interface PCB Assembly
3 57-861874-000	Fuse - 3.0A, 5 mm x 20mm, 250V Slo-Blow
3 57-861873-000	Fuse - 1.6A, 5 mm x 20mm, 250V Slo-Blow
1 11-672522-000	Relay - DPST 12VDC
1 N.A.	Instruction Sheet - not sold separately

Associated Interconnecting Cables

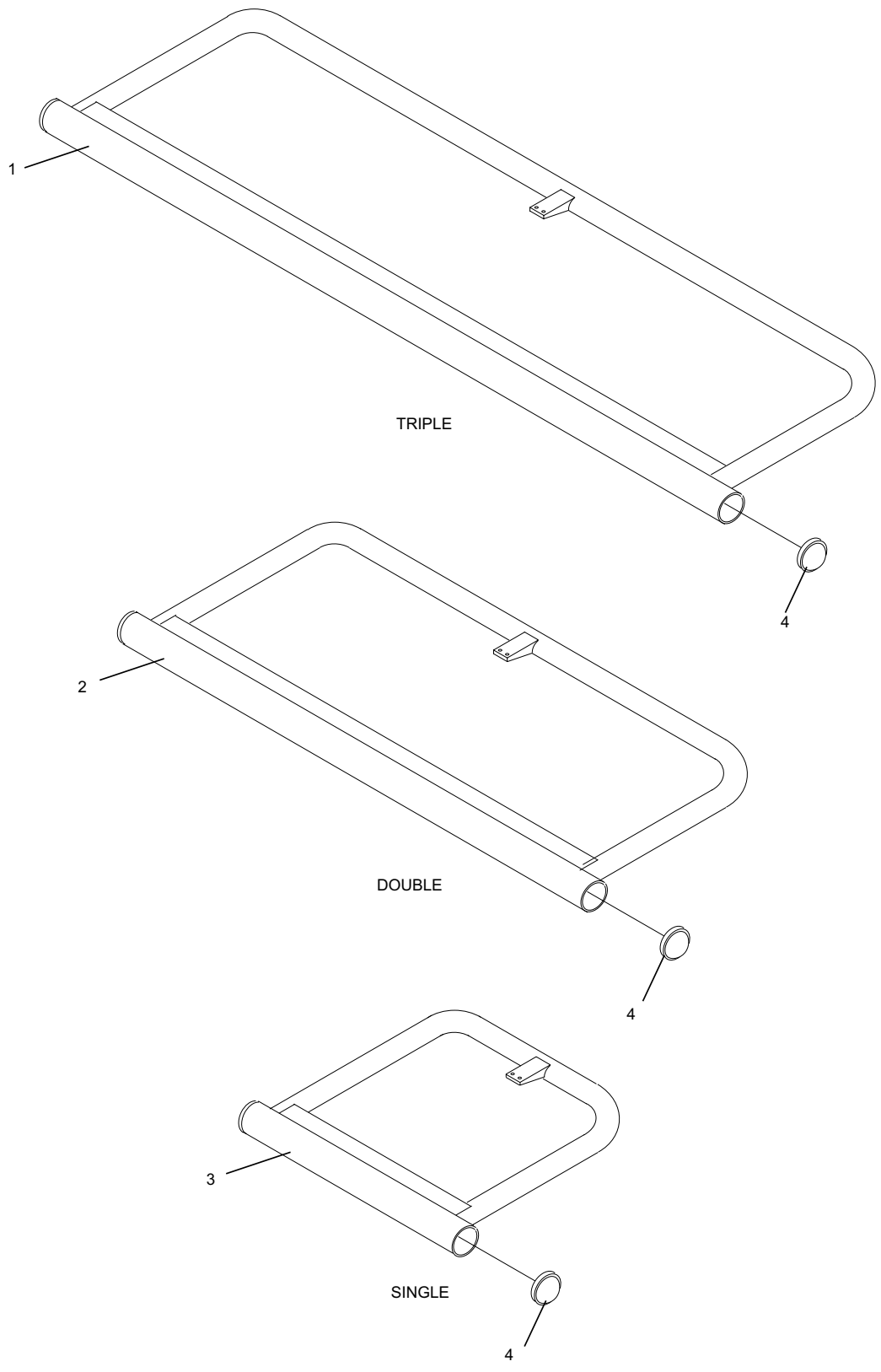
57-863208-000	Overhead Video Cable
57-863209-000	Global Video Lane to Lane Cable, Single Configuration
57-861165-000	Global Video Cable, Double Configuration and Triple Configuration
57-863216-000	Global Video Cable, Overhead to Overhead, Double and Triple Configuration



Vector 36" Color Overhead Monitor

Index

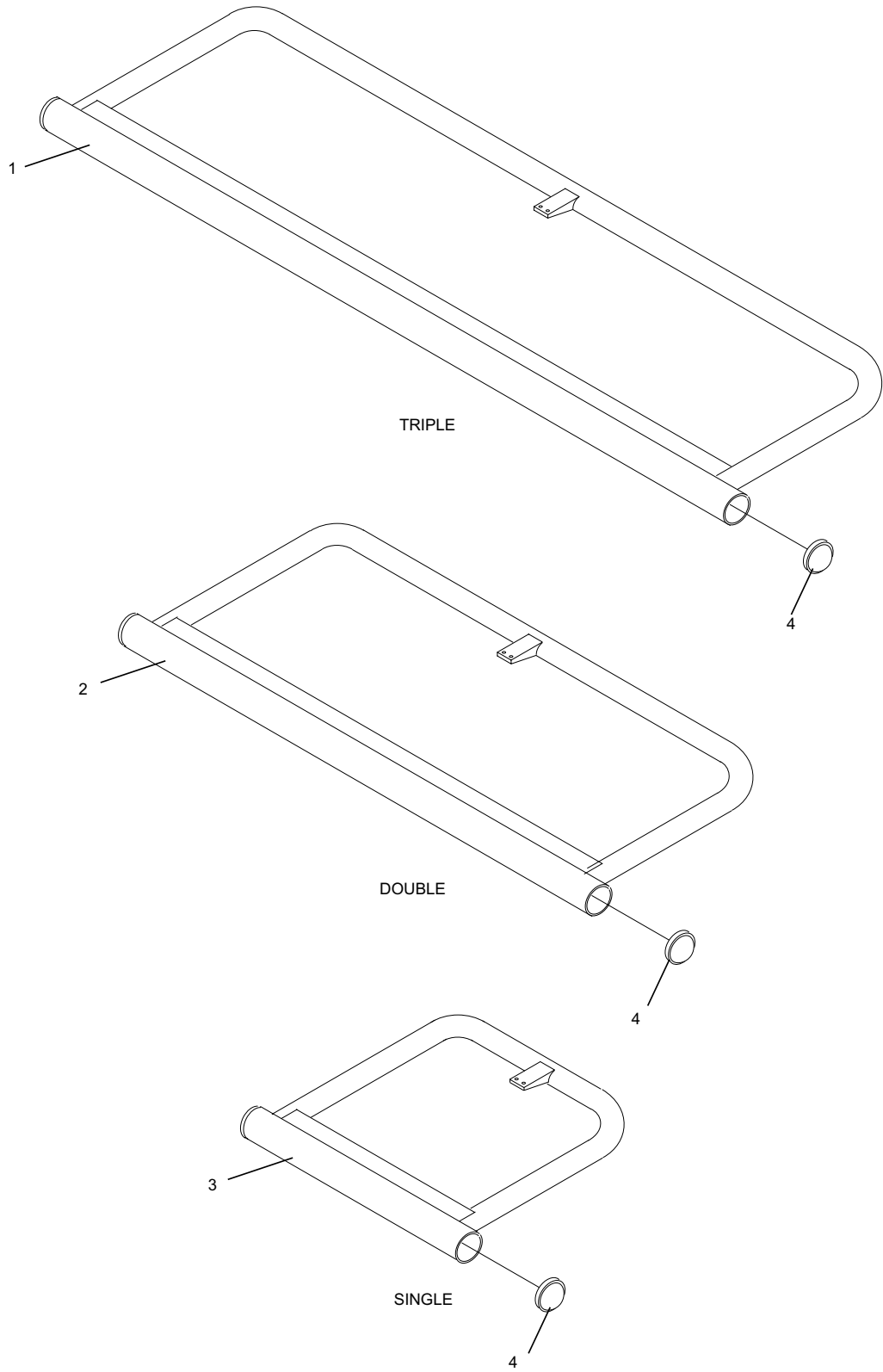
No.	Part No.	Description
1.	57-860984-001	Triple, Tube Rack Assembly
2.	57-860983-001	Double, Tube Rack Assembly
3.	57-860985-001	Single, Tube Rack Assembly
4.	57-300107-001	3" End Cap



Vector 27" Overhead Monitor Tube Rack Assembly

Index

No.	Part No.	Description
1.	57-861872-001	Triple, Tube Rack Assembly
2.	57-861871-001	Double, Tube Rack Assembly
3.	57-861870-001	Single, Tube Rack Assembly
4.	57-300107-001	3" End Cap

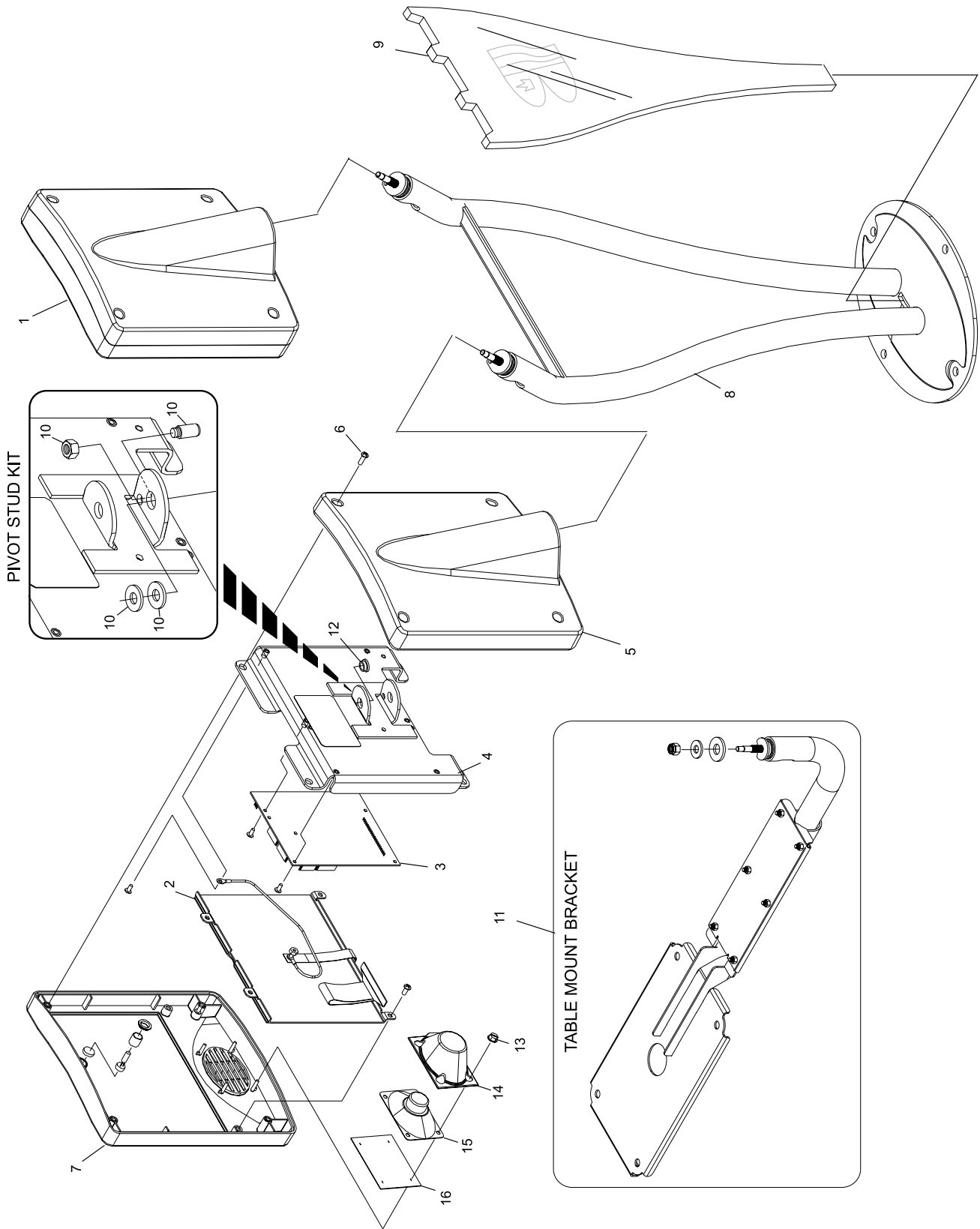


Vector 36" Overhead Monitor Tube Rack Assembly

Index No.	Part No.	Description
1.	57-863190-400	Vector Keypad Assembly (New)
	57-500371-800	Vector Keypad Assembly (Brunswick Rapid Exchange)
2.	57-500304-800	Keypad and Backer Plate (Brunswick Rapid Exchange)
3.	57-500367-810	Keypad Interface PCB (Brunswick Rapid Exchange)
4.	57-300883-000	Keypad Mounting Weldment
5.	57-300881-001	Cover - Rear - dark grey
6.	11-012060-001	Screw #8-32 x 1/2"
7.	57-300880-001	Cover - Front - dark grey
8.	57-861859-000	Dual Pedestal Support, Floor Mount
	53-861105-000	Post Support, Table Mount
9.	57-861862-000	Clear Insert
10.	57-861857-000	Pkg. Pivot Stud Replacement Kit
11.	53-861105-000	Pkg. Table Mount Bracket
12.	57-300924-000	Bushing - Pivot
13.	11-125445-000	Self Threading Nut
14.	57-300897-000	Speaker Cover
15.	57-301112-000	Speaker
16.	57-300863-000	Speaker Filter

Associated Interconnecting Cables

57-500399-000	LAN, Scorer to Keypad w/Audio Cable
57-500278-000	LAN, Primary to Secondary Keypad Cable (8')
57-301110-000	Global Audio, Primary to Primary Cable
57-301111-000	Global Audio, Primary to Secondary Cable (8')



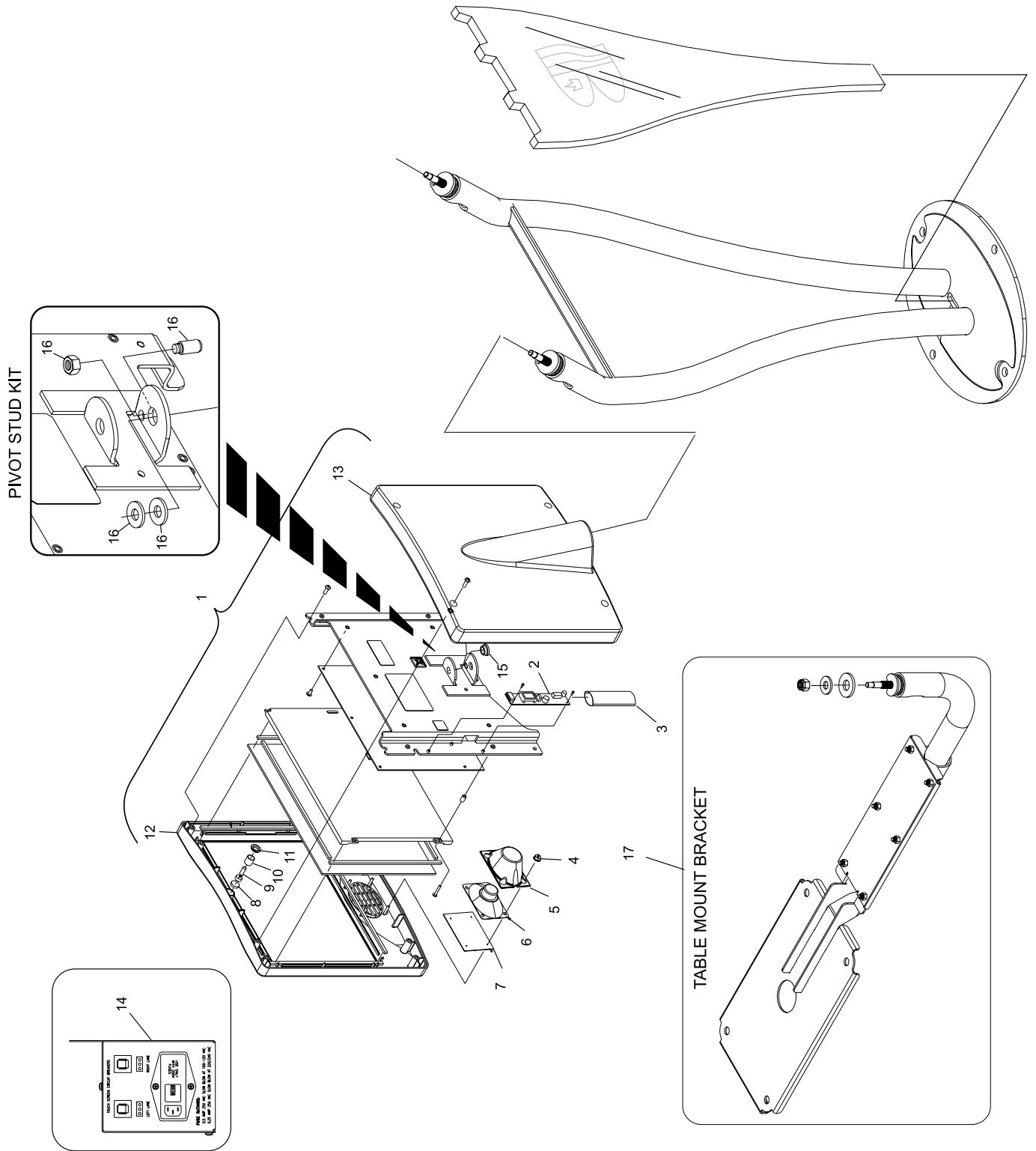
Vector Scorer Keypad

Index No.	Part No.	Description
1.	57-863467-400	Vector LCD Touchscreen Assembly (New)
	57-500312-810	Vector LCD touchscreen Assembly (Brunswick Rapid Exchange)
2.	57-300953-000	Inverter PCB Assembly
3.	11-617015-000	Sleeve
4.	11-125445-000	Self Threading Nut
5.	57-300897-000	Speaker Cover
6.	57-301112-000	Speaker
7.	57-300863-000	Speaker Filter
8.	57-300893-000	Microphone Filter
9.	57-301113-000	Microphone Cable Assembly
10.	57-300894-000	Microphone Insulator
11.	57-300892-000	Microphone Retainer
12.	N.A.	Cover - Front, Vector LCD - dark grey
13.	N.A.	Cover Rear, Vector LCD - dark grey
14.	57-863175-000	Power Supply, Vector LCD
	57-863176-000	Package, Fuses, .5 Amp
	57-863177-000	Package, Fuses, .25 Amp
15.	57-300924-000	Bushing - Pivot
16.	57-861857-000	Pkg. Pivot Stud Replacement Kit
17.	57-861105-000	Pkg. Table Mount Bracket

N.A. = No Longer Available

Associated Interconnecting Cables

57-500360-000	Video to Scorer to Touch Console
57-500275-000	LAN, Scorer to Touch Console
57-861235-000	Power, Power Supply to Touch Console
57-301110-000	Global Audio Primary to Primary
57-500273-000	LAN, Primary to Secondary Touch Console (8')
57-301111-000	Global Audio Primary to Secondary (8')



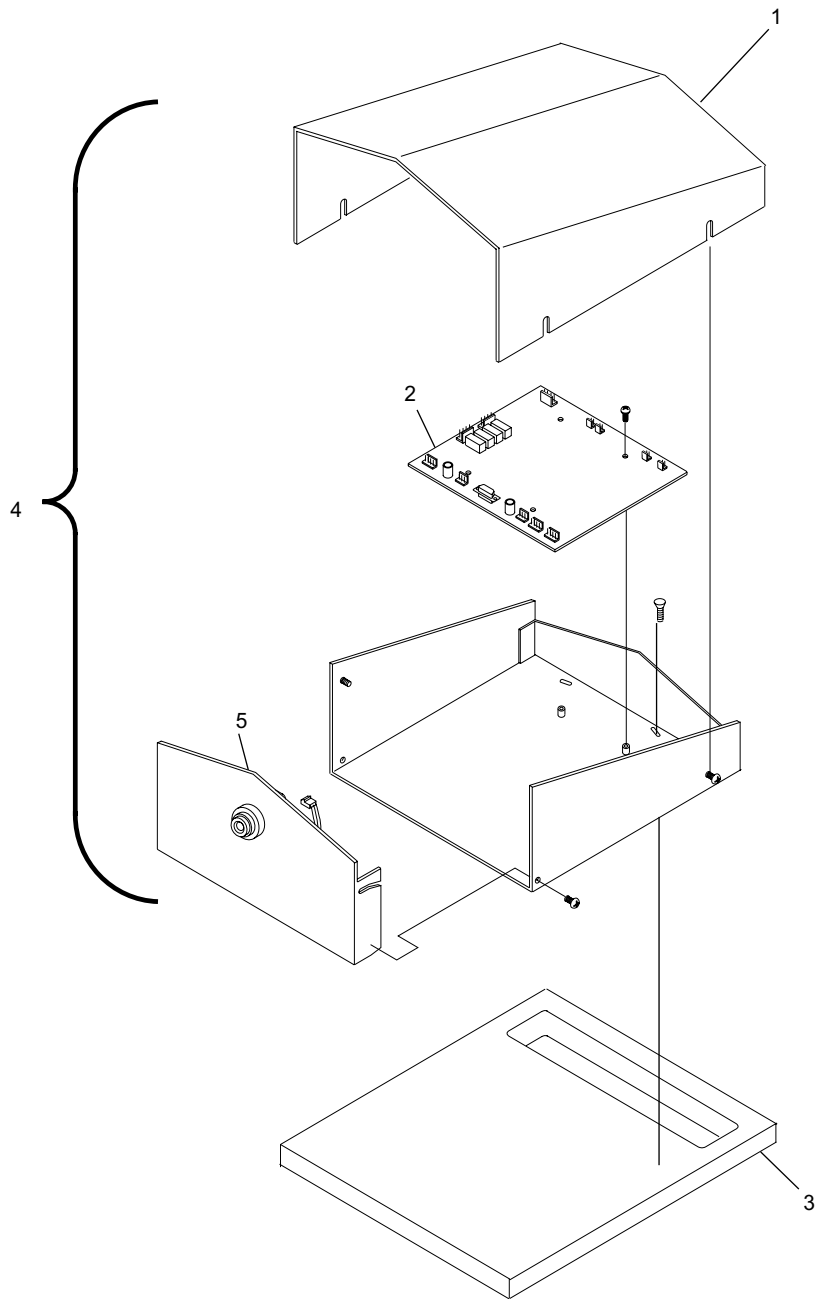
Vector Scorer LCD

Index No.	Part No.	Description
1.	57-863154-100	Cover - dark grey
	57-863154-101	Cover, brown
2.	57-500156-810	Distribution Board (Brunswick Rapid Exchange)
3.	N.A.	Camera, Support Base
4.	57-863161-400	Vector Camera Assembly - new
	57-500204-800	Vector Camera Assembly (Brunswick Rapid Exchange)
5.	57-863173-000	Package Ball Detect - new
	57-500219-800	Package Ball Detect (Brunswick Rapid Exchange)

N.A. = No Longer Available

Associated Interconnecting Cables

57-863107-000	Scanner Video
57-863164-000	A/A-2 Power/Reset/Sweep
57-863108-000	Distribution Board
57-863166-000	A-2 Sweep Bypass Switch
57-863165-000	Classic Distribution 5.0 Foul
57-863174-000	Package, Classic Ball Detect
57-863172-000	Model A Sweep Switch Assembly
57-863169-000	AMF 8230/8270, Power Reset
57-863170-000	AMF 8230 Sweep Switch
57-861822-000	AMF 8230 APS Start Switch
57-861824-000	AMF 8270/8290XL Start Switch
57-863171-000	AMF 8290XL Power/Reset/Foul Cable
57-863168-000	AMF 8270 Short Cycle Distribution 5.0
57-863167-000	AMF 8290XL, "Y"

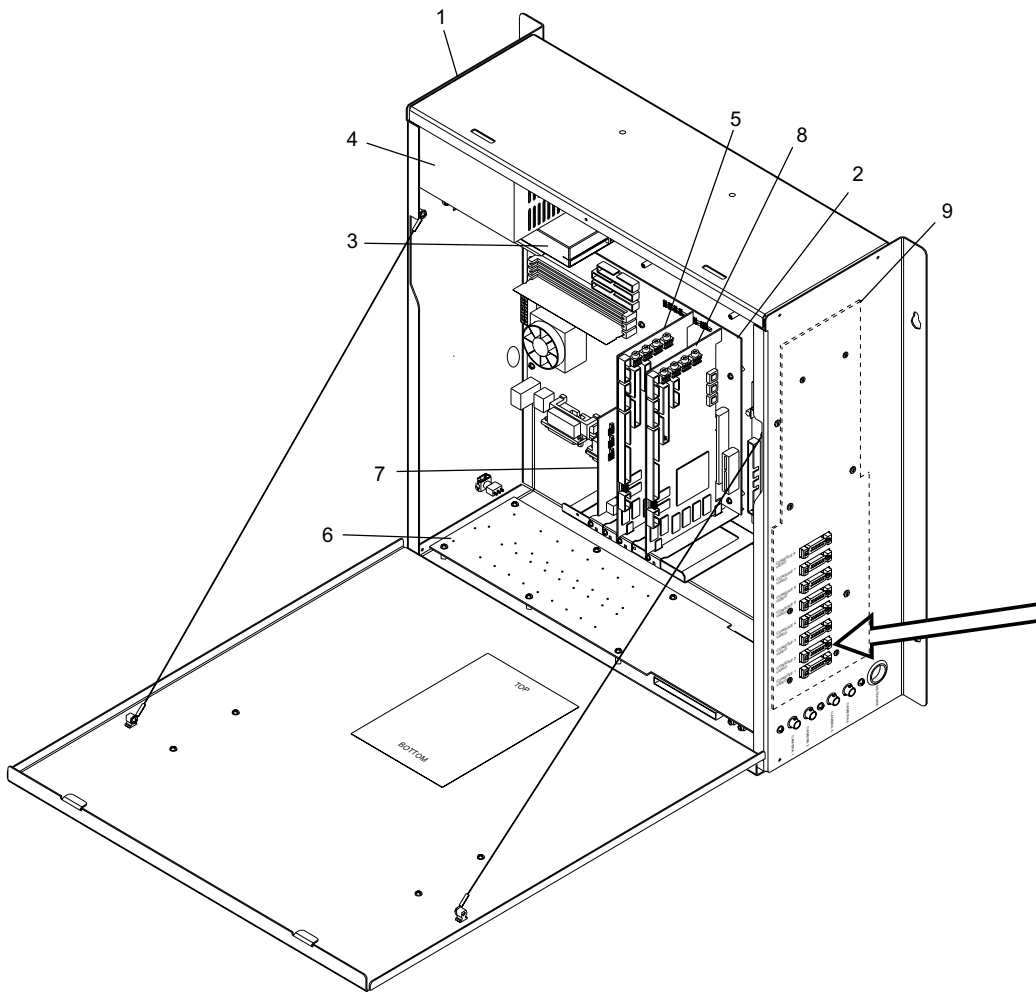


Vector Camera

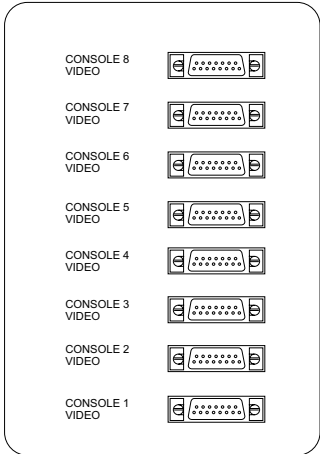
Index No.	Part No.	Description
1.	57-863481-402	Scoring Computer Complete - Keypad only
	57-863480-402	Scoring Computer Complete - Lower LCD Touchscreen
2.	57-500268-800	Mother Board PCB Only (Brunswick Rapid Exchange)
	57-500269-800	Mother Board PCB Assembly (Brunswick Rapid Exchange)
3.	57-500295-810	Hard Drive w/Mounting Bracket (Brunswick Rapid Exchange)
4.	57-500234-800	Scoring Computer Power Supply (Brunswick Rapid Exchange)
5.	57-500283-800	Video 3 PCB (Brunswick Rapid Exchange)
6.	57-500329-800	Primary Patch Panel PCB (Brunswick Rapid Exchange)
7.	57-500229-800	Ethernet PCB (Brunswick Rapid/Exchange)
8.	57-500248-800	LCD Interface, LCD Touch Screen only (Brunswick Rapid Exchange)
9.	57-500309-800	LCD Patch Panel PCB (rear), LCD Touchscreen only (Brunswick Rapid Exchange)

Associated Interconnecting Cables

57-500399-000	Scorer to Keypad LAN Cable
57-500278-000	Primary to Secondary LAN Cable (8')
57-301110-000	Primary to Primary Global Audio Cable
57-301111-000	Primary to Secondary Global Audio Cable (8')

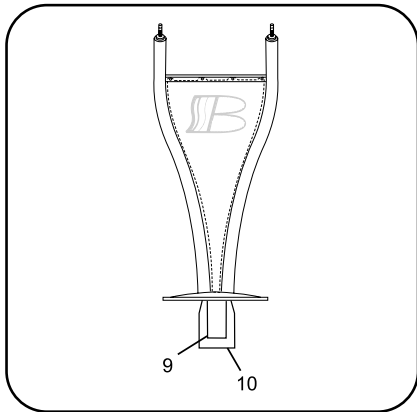
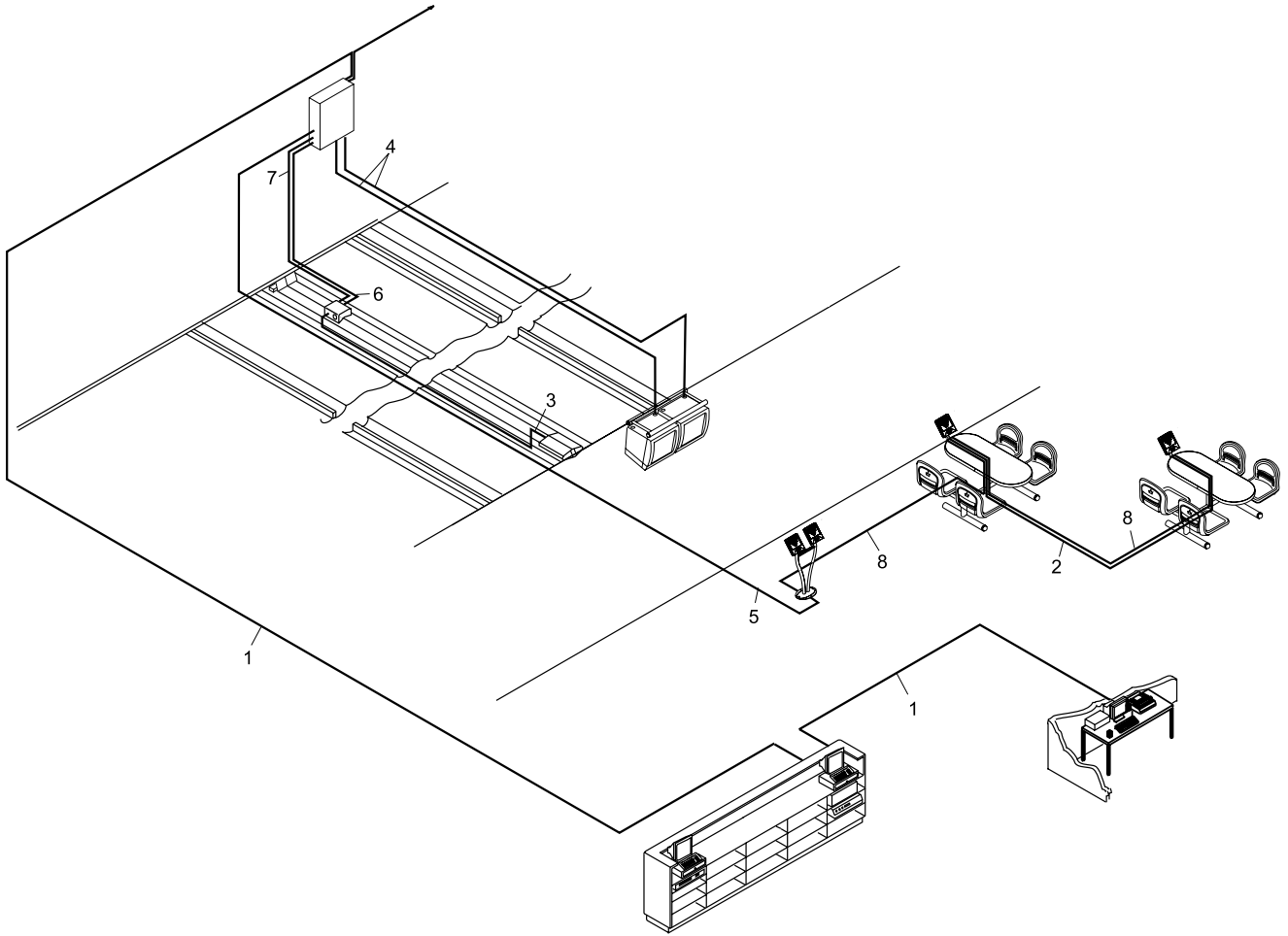


OPTIONAL
FOR LOWER LCD
TOUCHSCREEN



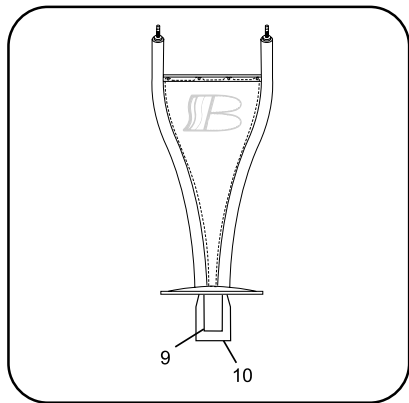
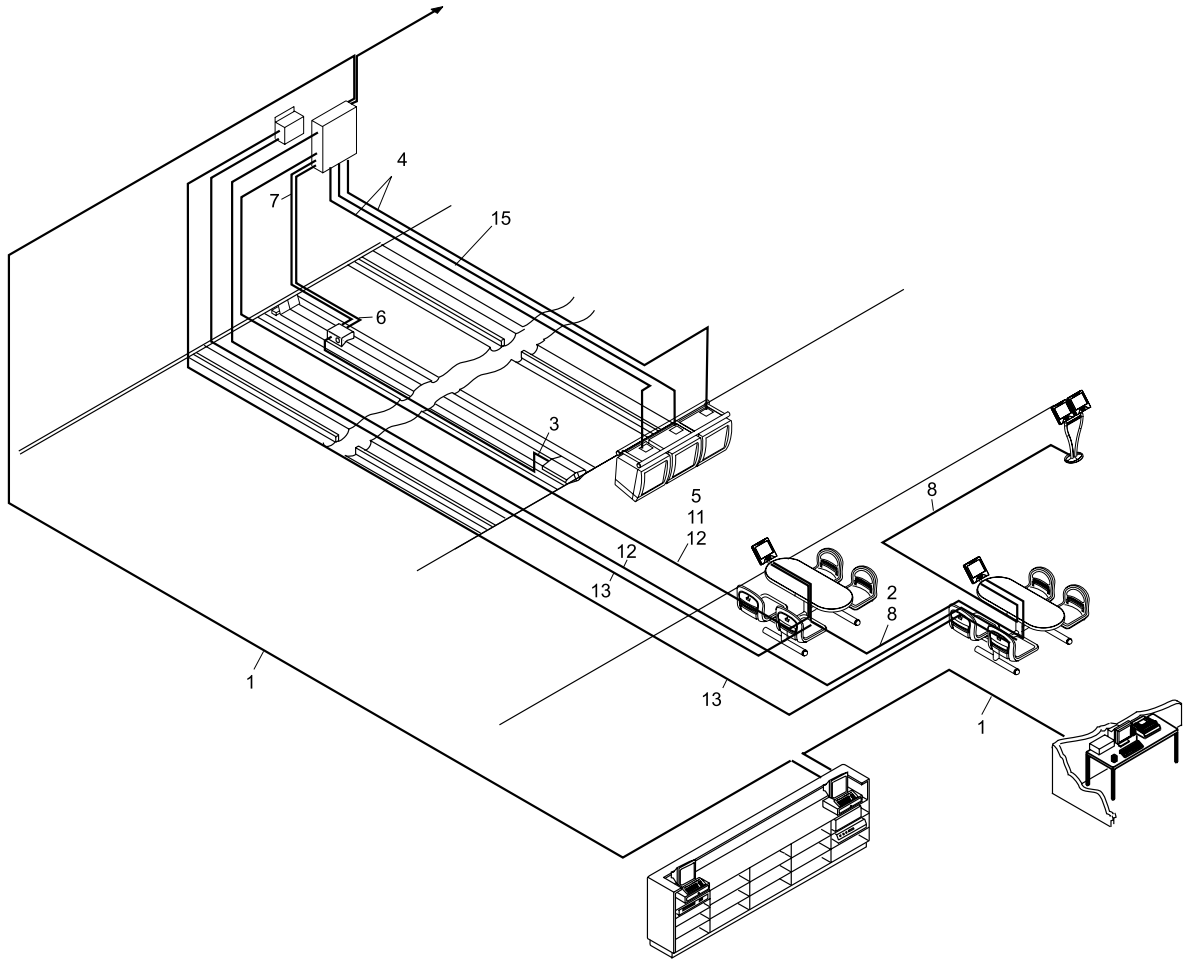
Vector Scoring Computer Keypad/LCD

Index No.	Part No.	Description
1.	57-863178-200	(57-500256-200) Ethernet Cable (200')
2.	57-500279-000	LAN Primary Keypad to Secondary Keypad Cable Assembly (40')
3.	57-863165-000	(57-500207-000) Foul, Camera to Foul Detector Cable
4.	57-863208-000	(57-500052-000) Scoring Computer to Overhead Monitor Cable Assembly
5.	57-500399-000	Scoring Computer to Console Cable Assembly
6.	57-863108-000	(57-500045-000) Camera to Scoring Computer Cable Assembly
7.	57-863107-000	(57-500050-000) Camera Video Cable Assembly
8.	57-301110-000	Primary to Primary Global Audio Cable (50')
9.	57-301111-000	Primary to Secondary Global Audio Cable (8')
10.	57-500278-000	Primary to Secondary Keypad Cable (8')



Vector Keypad Scorer Cables

Index No.	Part No.	Description
1.	57-863178-200	(57-500256-200)Ethernet Cable (200')
2.	57-500274-000	Primary to Secondary LCD LAN Cable Assembly (40')
3.	57-863165-000	(57-500207-000) Foul, Camera to Foul Detector Cable
4.	57-863208-000	(57-500052-000) Left and Right Overhead Video to Scoring Computer Cable Assembly
5.	57-500360-000	Scoring Computer to LCD Console Cable Assembly
6.	57-863108-000	(57-500045-000) Camera Board to Scoring Computer Cable Assembly
7.	57-863107-000	(57-500050-000) Camera Video Cable Assembly
8.	57-301110-000	Primary to Primary Global Audio Cable (50')
9.	57-301111-000	Primary to Secondary Global Audio Cable (8')
10.	57-500273-000	Primary to Secondary LCD LAN Cable (8')
11.	57-500275-000	Scoring Computer to LCD Touchscreen LAN
12.	57-500360-000	Scoring Computer to LCD Touchscreen Video
13.	57-861235-000	(57-300153-000) LCD Touchscreen Power Supply
14.	57-500323-000	RS232/485 Converter to TV Only Cable



Vector LCD Scorer Cables