



Installation Manual

Low Profile Overhead Support Structure

August 2011 / 57-900076-000

Brunswick 
CUSTOMER SERVICE
A tradition in excellence.

Low Profile Overhead Support Structure Installation Manual

© August 2011 by the Brunswick Bowling and Billiards Corporation. All rights reserved.

is a registered trademark of the Brunswick Bowling and Billiards Corporation.

Reorder Part No. 57-900076-000

Notice: If available, updates to this manual can be found on-line at www.brunswickbowling.com.

Confidential proprietary information. All information contained in this document is subject to change without notice.

Brunswick Bowling & Billiards Corporation
525 West Laketon Avenue
P.O. Box 329
Muskegon, MI 49443-0329
U.S.A.

231.725.3300

Safety

Throughout this publication, “Warnings”, and “Cautions” (accompanied by one of the International HAZARD Symbols) are used to alert the mechanic to special instructions concerning a particular service or operation that may be hazardous if performed incorrectly or carelessly. They are defined below. **OBSERVE AND READ THEM CAREFULLY!**

These “Safety Alerts” alone cannot eliminate the hazards that they signal. Strict compliance to these special instructions when performing the service, plus training and “Common Sense” operation are major accident prevention measures.



NOTE or IMPORTANT!:

Will designate significant informational notes.



WARNING!

Will designate a mechanical or nonelectrical alert which could potentially cause personal injury or death.



WARNING!

Will designate electrical alerts which could potentially cause personal injury or death.



CAUTION!

Will designate an alert which could potentially cause product damage.



Will designate grounding alerts.

SAFETY NOTICE TO USERS OF THIS MANUAL

This manual has been written and published by the Service Department of Brunswick Bowling and Billiards to aid the reader when servicing or installing the products described.

It is assumed that these personnel are familiar with, and have been trained in, the servicing or installation procedures of these products, which includes the use of common mechanic's hand tools and any special Brunswick or recommended tools from other suppliers.

We could not possibly know of and advise the reader of all conceivable procedures by which a service might be performed and of the possible hazards and/or results of each method. We have not attempted any such wide evaluation. Therefore, anyone who uses a service procedure and/or tool, which is not recommended by Brunswick, must first completely satisfy himself that neither his nor the product's safety will be endangered by the service procedure selected.

All information, illustrations and specifications contained in this manual are based on the latest product information available at the time of publication.

It should be kept in mind, while working on the product, that the electrical system is capable of violent and damaging short circuits or severe electrical shocks. When performing any work where electrical terminals could possibly be grounded or touched by the mechanic, the power to the product should be disconnected prior to servicing and remain disconnected until servicing is complete.

Support Structure



WARNING!

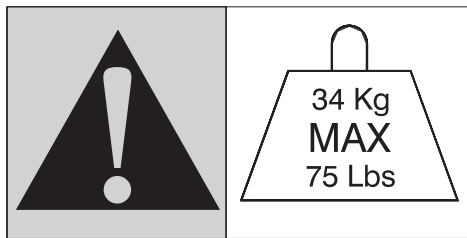
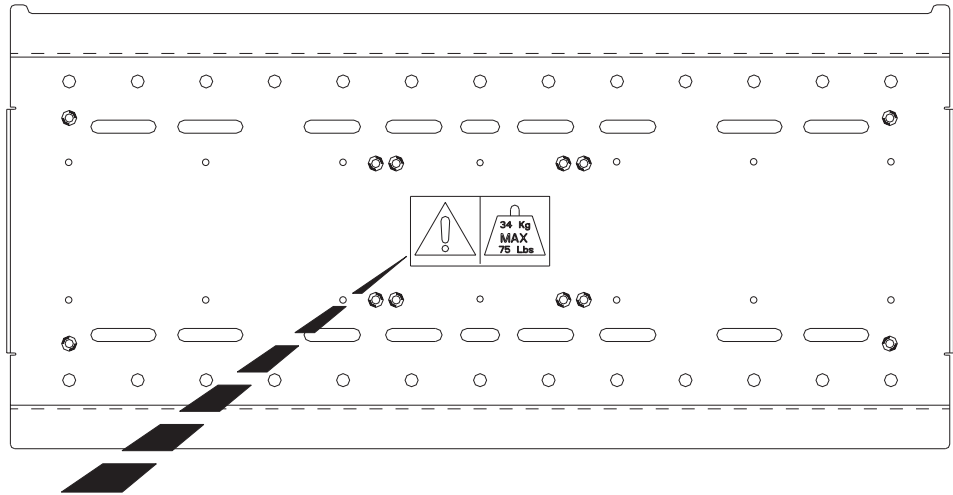
- ***If there is any concern as to whether the supporting structure is adequate, consult a structural engineer before installing this mount assembly.***
- ***If no previous overhead system was installed, the structure MUST be evaluated by a structural engineer before installation to ensure it is capable of supporting the load.***
- ***Brunswick is not responsible for any damage or injury due to improper installation or insufficient support of this mounting system. Do not begin to assemble or install your monitor mount until you have completely read and understand these instructions.***
- ***Any warranties stated or implied are void if this mount is modified in any way.***
- ***Always use an assistant or a mechanical lifting system to safely lift the assembly into position.***
- ***DO NOT use thread locking compound on fasteners.***

Weight Restrictions



WARNING!

Do not exceed wide screen structure's maximum weight capacity of 75 LBS (34 Kilograms) per LCD.

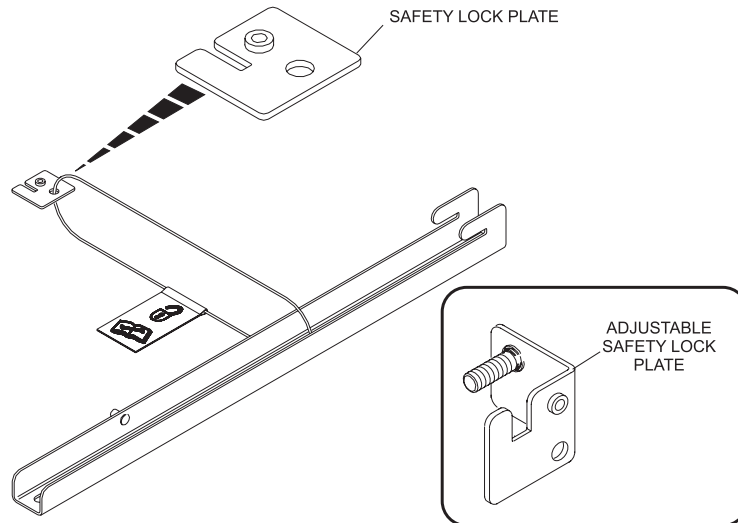


Safety Lock Plate and Adjustable Safety Lock Plate



WARNING!

Safety Lock Plates must be installed to prevent LCD from being knocked off the hanging structure. For triple configurations an adjustable Safety Lock Plate is used on the center monitor to allow for adjustment of vertical alignment.

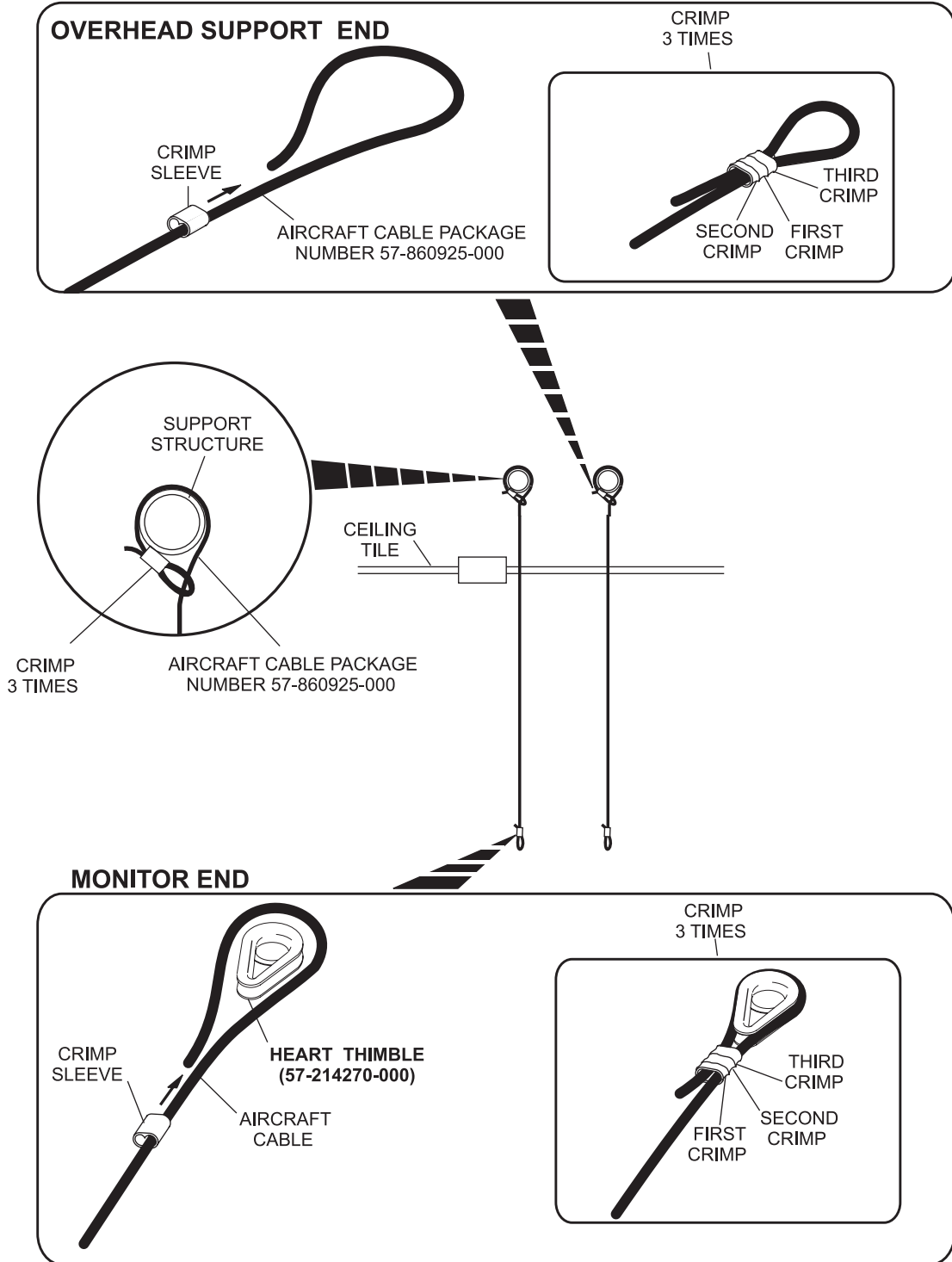


Overhead Support Cable



CAUTION!

A plastic (non-metal) heart thimble must be used on the bottom end of the LCD support cable to avoid electrical noise disturbance traveling through the support cable to the LCDs.




Contents

Safety	3
SAFETY NOTICE TO USERS OF THIS MANUAL	4
Support Structure	4
Weight Restrictions	5
Safety Lock Plate and Adjustable Safety Lock Plate	5
Overhead Support Cable	6
Packaging	8
Over Head Structure Hardware	12
Wide Screen Components	14
32” Single LCD Low Profile Support Structure	17
32” Double LCD Low Profile Support Structure Assembly	23
32” Triple LCD Low Profile Support Structure Assembly	31
40” Single LCD Low Profile Support Structure Assembly	39
40” Double LCD Low Profile Support Structure Assembly	45
40” Triple LCD Low Profile Support Structure Assembly	53
Center LCD Adjustment	60
46” Single LCD Low Profile Support Structure Assembly	63
46” Double LCD Low Profile Support Structure Assembly	69
46” Triple LCD Low Profile Support Structure Assembly	77
Center LCD Adjustment	84

Packaging


STANDARD PACKAGING

REV.	QTY.	PART NUMBER	DESCRIPTION
			CONTENTS
	1	57-501007-000	BACK PLATE - LCD VESA 600 X 400

DESCRIPTION PKG. - BACK PLATE, LCD, VESA 600 X 400			 Muskegon, Michigan
DRAWN	DATE	DRAWING SIZE	


STANDARD PACKAGING

REV.	QTY.	PART NUMBER	DESCRIPTION
			CONTENTS
	1	57-501008-000	SUPPORT - HORIZONTAL LCD BACK PLATE

DESCRIPTION PKG. - SUPPORT, HORIZONTAL, LCD BACK PLATE			 Muskegon, Michigan
DRAWN	DATE	DRAWING SIZE	


STANDARD PACKAGING

REV.	QTY.	PART NUMBER	DESCRIPTION
			CONTENTS
	1	57-501036-000	SUPPORT - TRIPLE 40" & 46" LCD

DESCRIPTION PKG. - SUPPORT, TRIPLE 40" & 46" LCD			 Muskegon, Michigan
DRAWN	DATE	DRAWING SIZE	


STANDARD PACKAGING

REV.	QTY.	PART NUMBER	DESCRIPTION
			CONTENTS
	1	57-501012-000	BRACKET - HANGER, L.H., WIDESCREEN
	1	57-501013-000	BRACKET - HANGER, R.H., WIDESCREEN
	2	11-055626-001	U- BOLT - M8, WITH NUTS
	1	57-863389-700	PACKING LIST

DESCRIPTION PKG. - SUPPORT, HANGING BRACKET WITH HARDWARE			 Muskegon, Michigan	
DRAWN	DATE	DRAWING SIZE	DRAWING No. 57-863389-000	


STANDARD PACKAGING

REV.	QTY.	PART NUMBER	DESCRIPTION
			CONTENTS
	2	57-501040-000	ASSY - HANGER, LOCK, & SAFETY LABEL, WIDESCREEN
	4	57-500758-001	WASHER - MOUNTING BRACKET, WIDESCREEN
	1	57-863393-000	PKG - HARDWARE, UNIVERSAL MOUNTING BRACKET
	1	57-863390-700	PACKING LIST

DESCRIPTION PKG. - UNIVERSAL MOUNTING BRACKET, WIDESCREEN			 Muskegon, Michigan	
DRAWN	DATE 01/01/00	DRAWING SIZE	DRAWING No. 57-863390-000	


STANDARD PACKAGING

REV.	QTY.	PART NUMBER	DESCRIPTION
			CONTENTS
	2	57-501009-000	BRACKET - ELECTRONICS, WIDESCREEEN
	2	11-051743-009	LOCK NUT - M6
	5	11-051001-009	SCREW - HEX CAP, M6 X 12mm LG.
	5	11-055014-001	LOCK WASHER - M6, EXTERNAL TOOTH
	1	57-863391-700	PACKING LIST

DESCRIPTION PKG. - BRACKET, ELECTRONICS, WITH HARDWARE WIDESCREEEN			 Brunswick® Bowling & Billiards Muskegon, Michigan	
DRAWN	DATE	DRAWING SIZE	DRAWING No.	
			57-863391-000	


STANDARD PACKAGING

REV.	QTY.	PART NUMBER	DESCRIPTION
			CONTAINER
			PACKAGE MUST COMPLY WITH ALL REQUIREMENTS LISTED IN BRUNSWICK PACKAGING SPECIFICATION ES-003319-000.
			CONTENTS
	2	10-501001-000	COUPLER - M6, HEX
	2	11-051743-009	LOCKNUT - M6
	2	57-501048-000	LOCK - LCD BRACKET TRIPLE CONFIGURATION
	1	57-863392-700	PACKING LIST

DESCRIPTION PKG. - LEVELING HARDWARE 40" & 46" TRIPLE			 Brunswick® Bowling & Billiards Muskegon, Michigan	
DRAWN	DATE	DRAWING SIZE	DRAWING No.	
			57-863392-000	


STANDARD PACKAGING

REV.	QTY.	PART NUMBER	DESCRIPTION
			CONTENTS
	5	11-051001-009	SCREW - M6 X 12mm, HEX HEAD CAP
	5	11-051038-009	SCREW - M8 X 16mm, HEX HEAD CAP
	5	11-055014-001	LOCK WASHER - M6, EXTERNAL TOOTH
	5	11-055015-001	LOCK WASHER - M8, EXTERNAL TOOTH
	2	11-051743-009	LOCK NUT - M6
	12	11-603137-000	CABLE TIE - NYLON (BLACK)
	1	57-863393-700	PACKING LIST

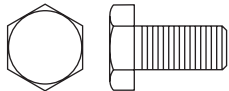
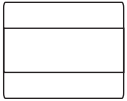
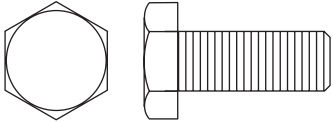
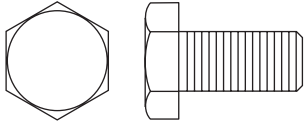
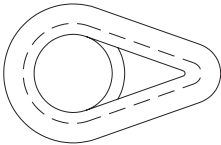
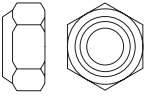
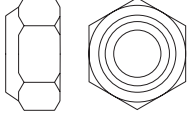
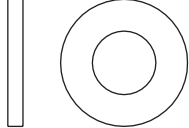

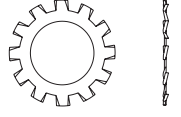
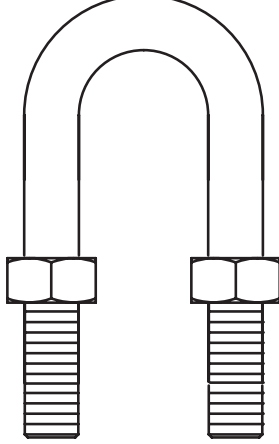
REV.	APPROVED	REVISION	ECN. NO.	DATE
DESCRIPTION				
PKG. - HARDWARE, UNIVERSAL MTG BRACKET, WIDESCREEEN				
DRAWN	DATE	DRAWING SIZE	DRAWING No.	
			57-863393-000	

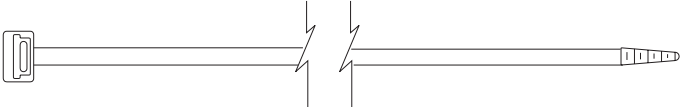


STANDARD PACKAGING

REV.	QTY.	PART NUMBER	DESCRIPTION
			CONTENTS
	1	57-214924-000	AIRCRAFT CABLE, 30 FT.
	5	57-214923-000	OVAL SLEEVE
	2	57-214270-000	HEART THIMBLE
	1	57-863394-700	PACKING LIST

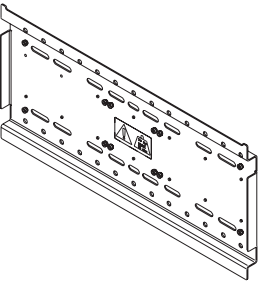
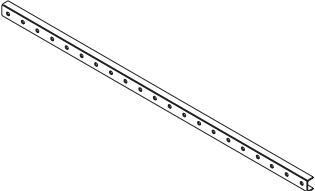
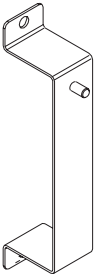

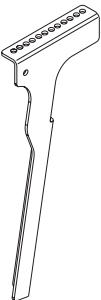
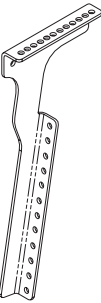
DESCRIPTION				
PKG. - HANGING HARDWARE WIDESCREEEN				
DRAWN	DATE	DRAWING SIZE	DRAWING No.	
			57-863394-000	

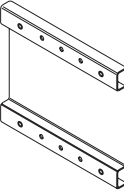

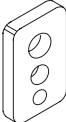
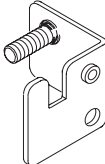
Over Head Structure Hardware

ITEM	PART NUMBER	DESCRIPTION	ILLUSTRATION (actual size)
H1	11-051001-009	HEX HEAD CAP SCREW - M6 X 12 mm	
H2	57-501048-000	COUPLER	
H3	11-051010-009	HEX HEAD CAP SCREW - M8 X 20 mm	
H4	11-051038-009	HEX HAD CAP SCREW - M8 X 16 mm	
H5	57-214270-000	HEART THIMBLE	
H6	11-051743-009	LOCK NUT - M6	
H7	11-051744-001	LOCK NUT - M8	
H8	11-052003-001	WASHER M8	
H9	11-055014-001	EXTERNAL TOOTH LOCK-WASHER - M6	
H10	11-055015-001	EXTERNAL TOOTH LOCK WASHER - M8	
H11	11-055626-001	U-BOLT w/NUTS - M8	

ITEM	PART NUMBER	DESCRIPTION	ILLUSTRATION (actual size)
H12	11-603137-000	CABLE TIE	
H13	57-214923-000	OVAL SLEEVE	
H14	57-214924-000	AIRCRAFT CABLE - 30'	

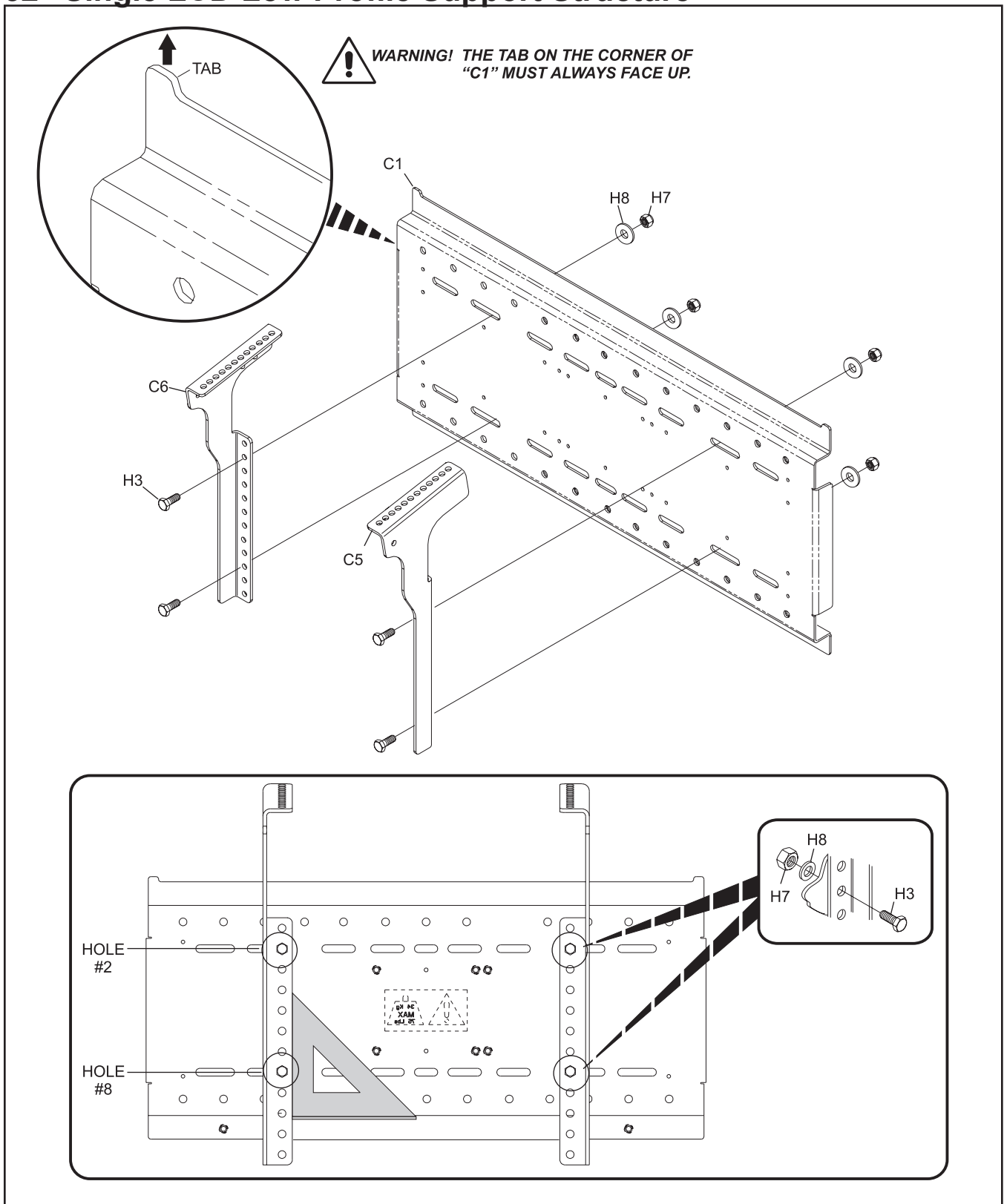
Wide Screen Components

ITEM	PART NUMBER	DESCRIPTION	ILLUSTRATION
C1	57-501007-000	LCD BACK PLATE (VESA 600 x 400)	
C2	57-501008-000	LCD BACK PLATE SUPPORT (horizontal)	
C3	57-501009-000	WIDESCREEN ELECTRONICS BRACE	
C4	57-501011-000	LCD LOCK BRACKET	
C5	57-501012-000	WIDE SCREEN HANGER BRACKET (left hand)	
C6	57-501013-000	WIDE SCREEN HANGER BRACKET (right hand)	

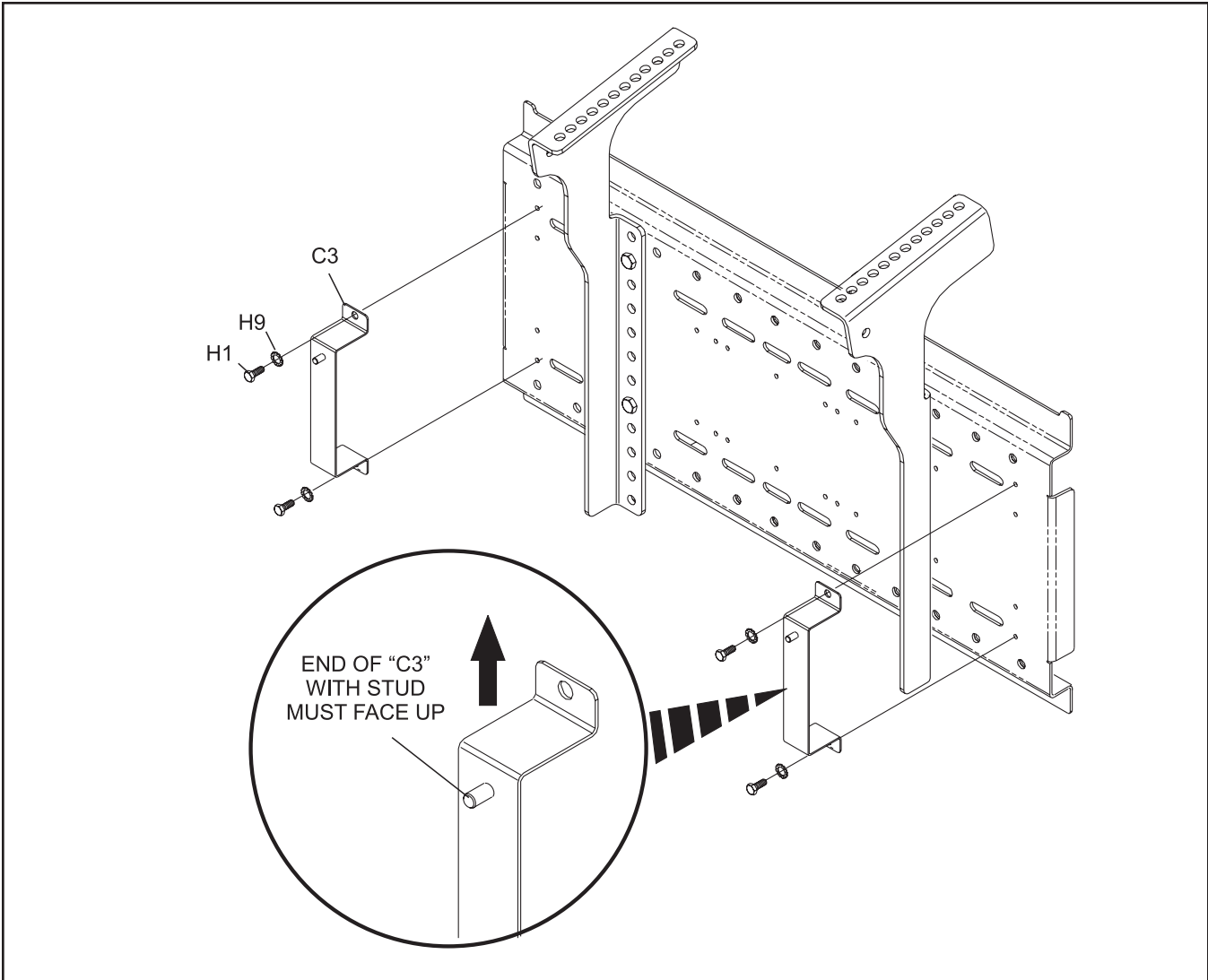
ITEM	PART NUMBER	DESCRIPTION	ILLUSTRATION
C7	57-501036-000	TRIPLE LCD SUPPORT (40" & 46")	
C8	57-501006-000	WIDE SCREEN HANGER	
C9	57-500578-000	WASHER	
C10	57-501048-000	ADJUSTER BRACKET	

Intentionally Blank Page

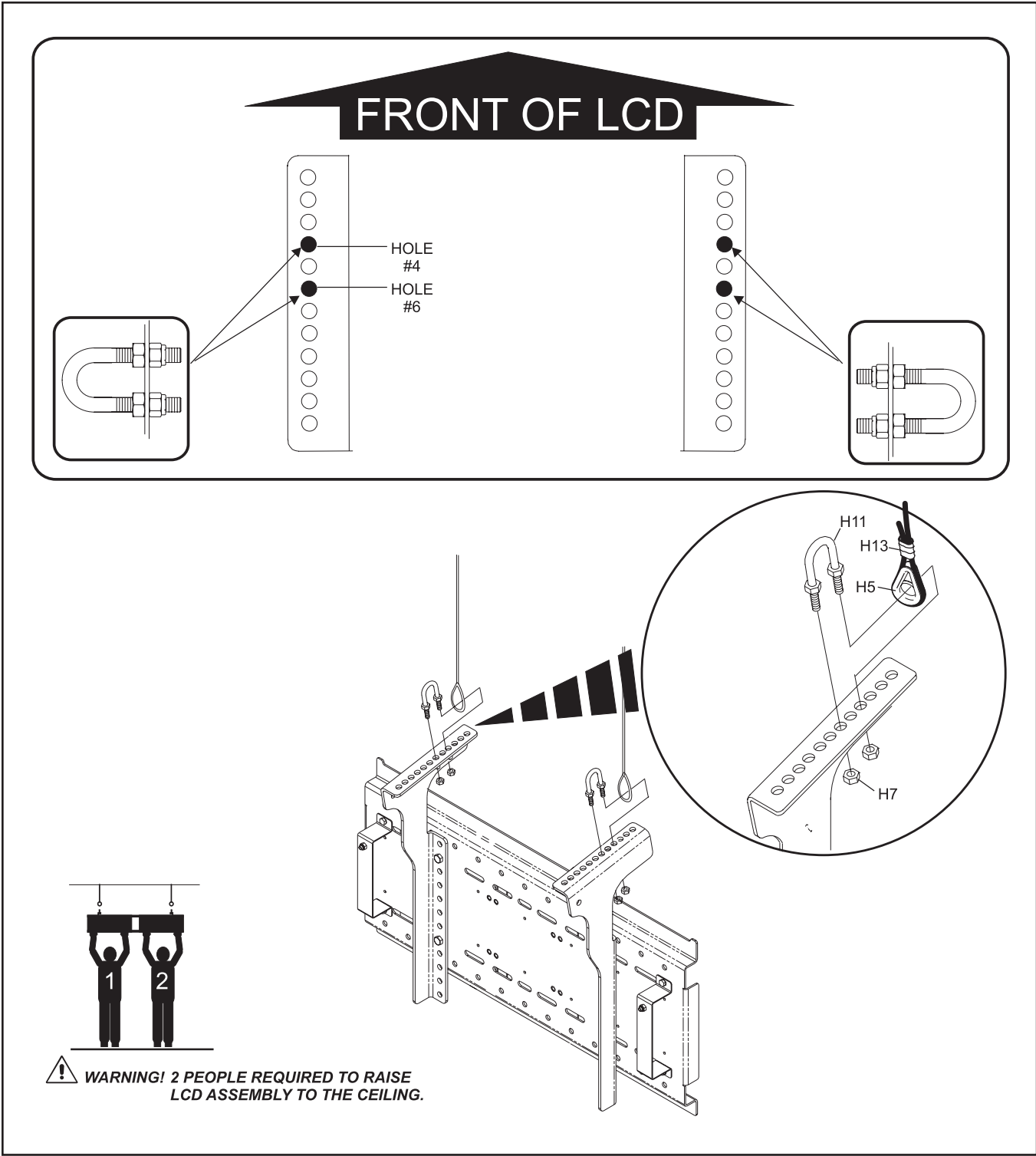
32" Single LCD Low Profile Support Structure



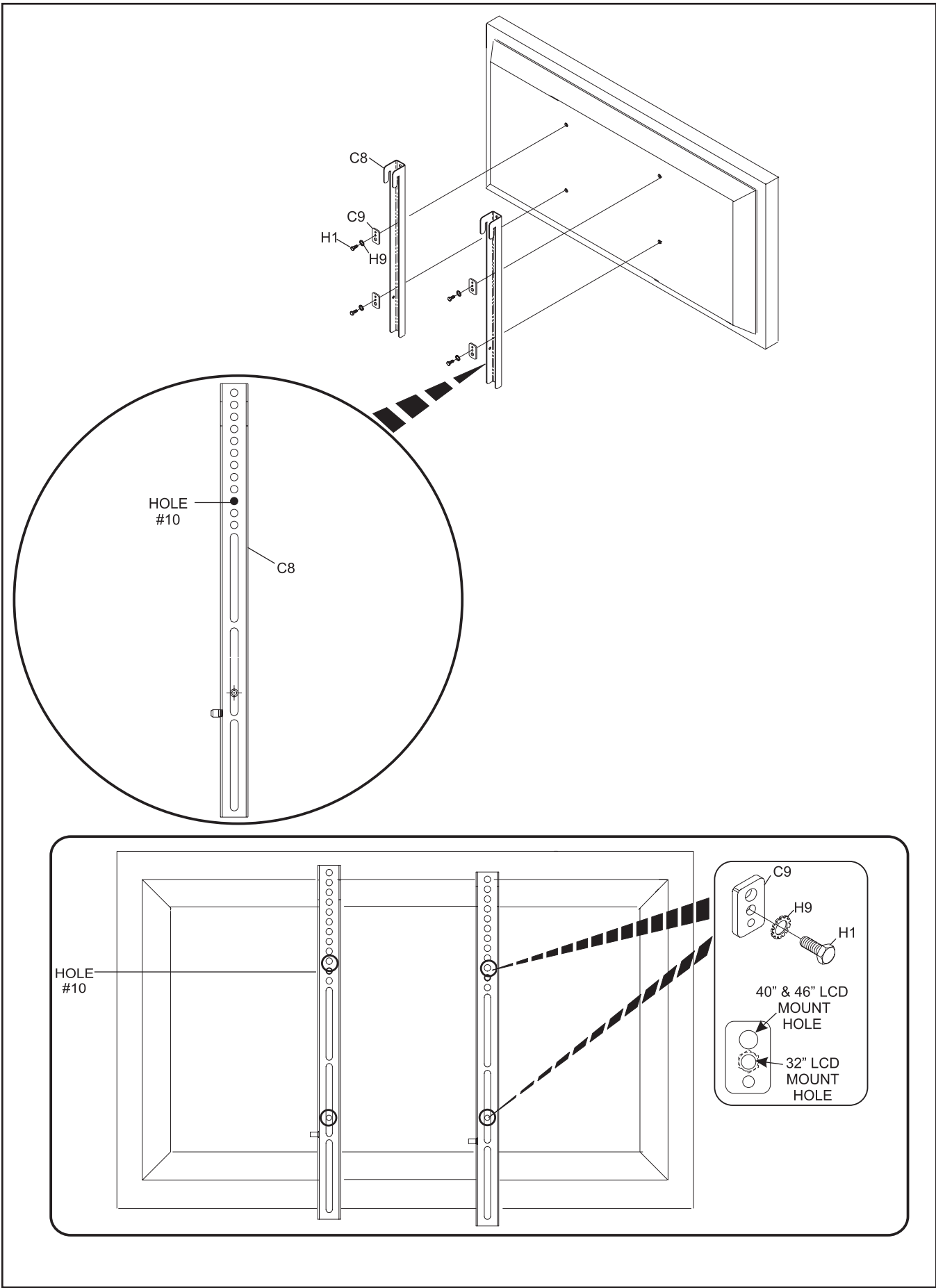
Step 1



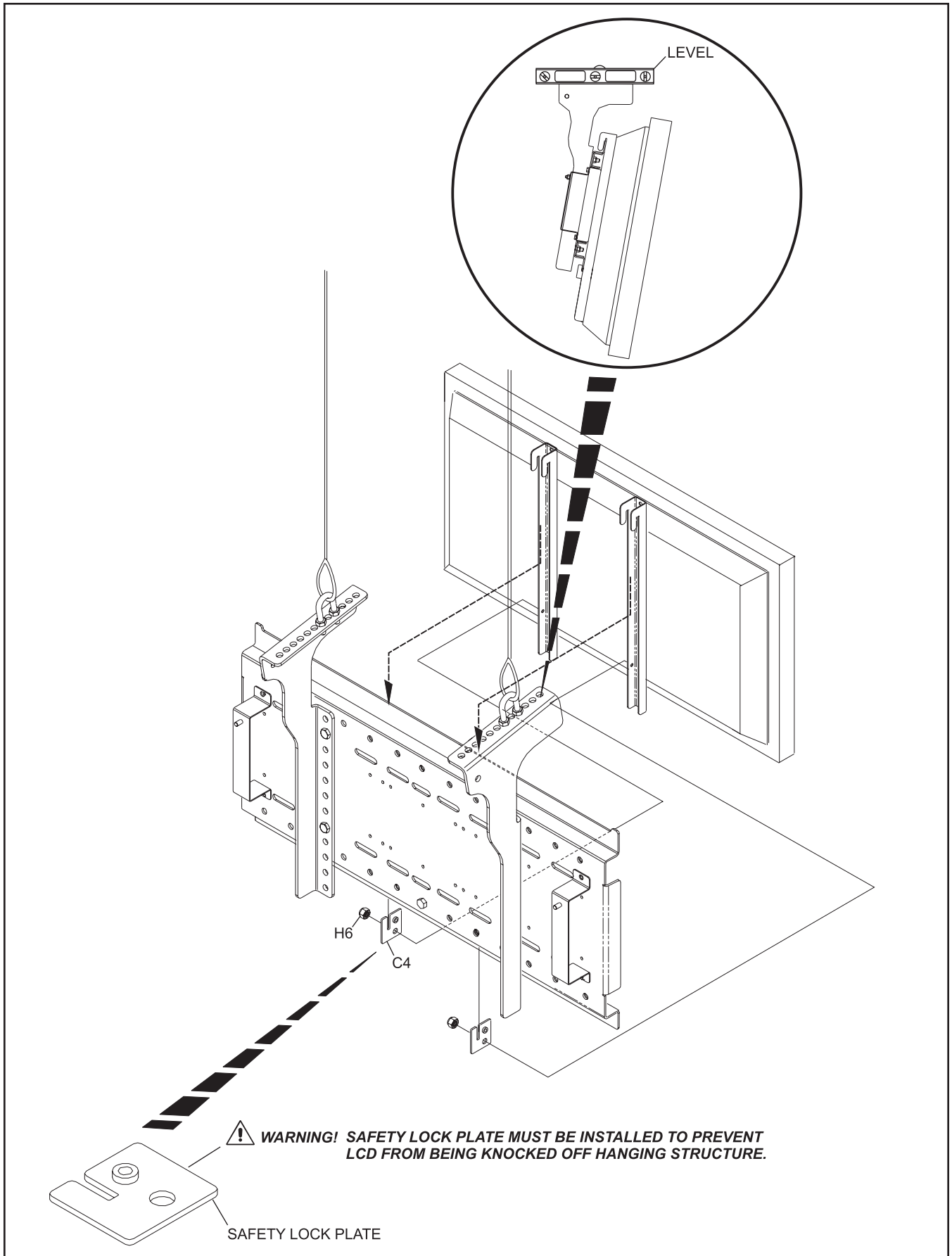
Step 2



Step 3



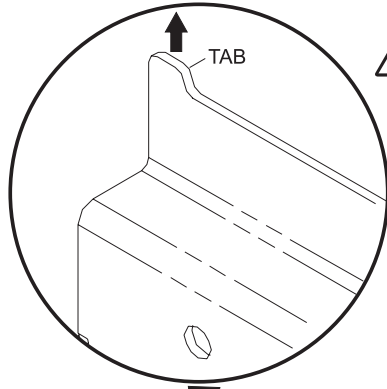
Step 4



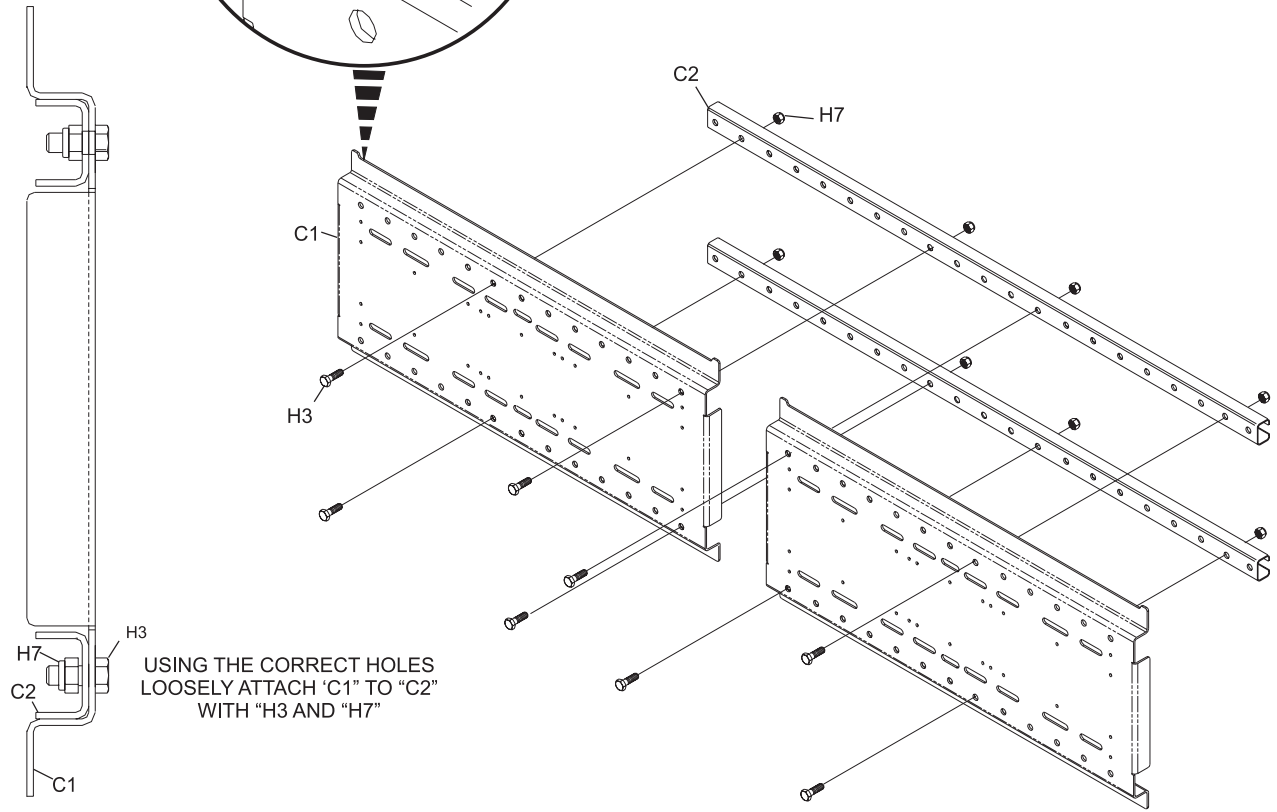
Step 5

Intentionally Blank Page

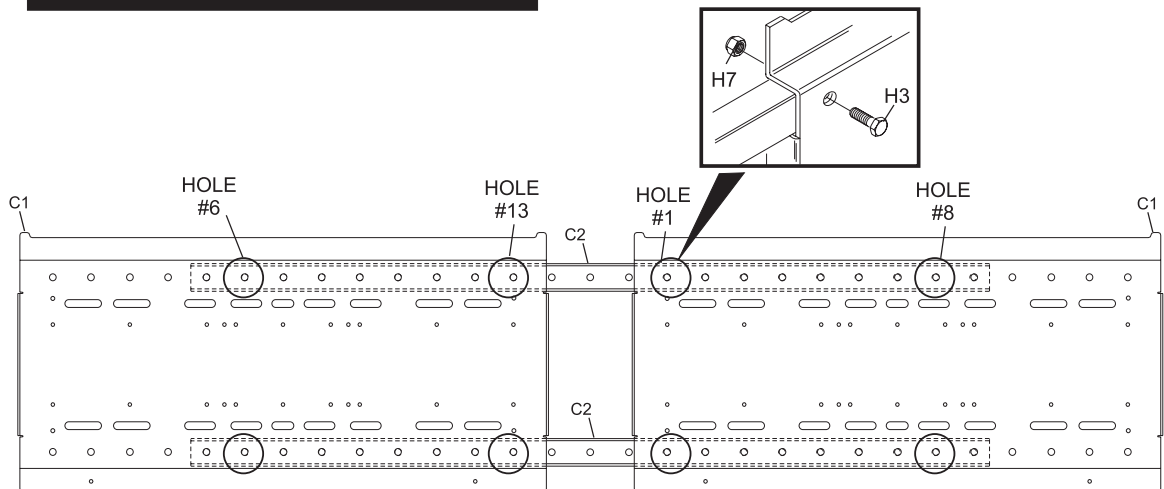
32" Double LCD Low Profile Support Structure Assembly

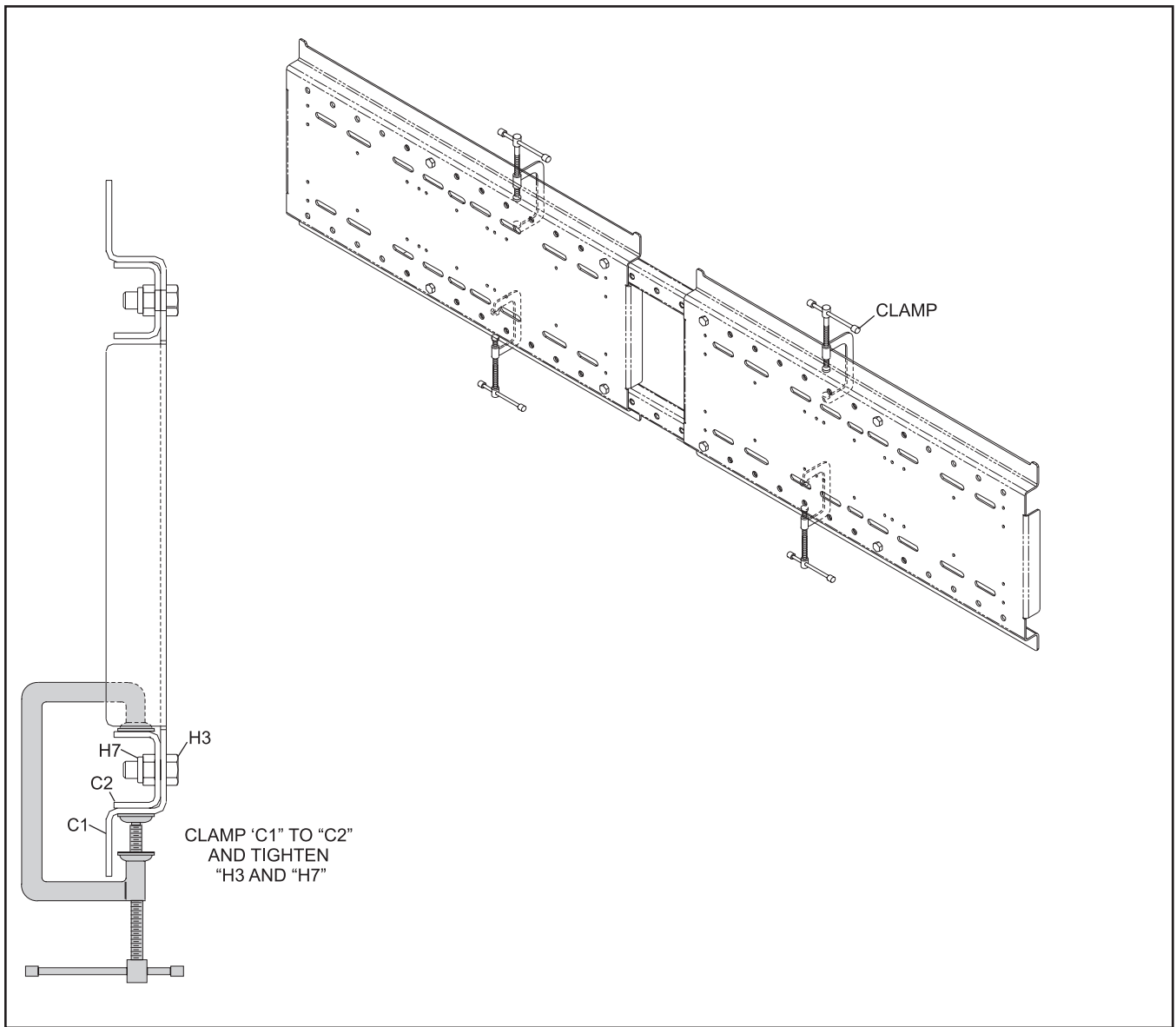


WARNING! THE TAB ON THE CORNER OF "C1" MUST ALWAYS FACE UP.

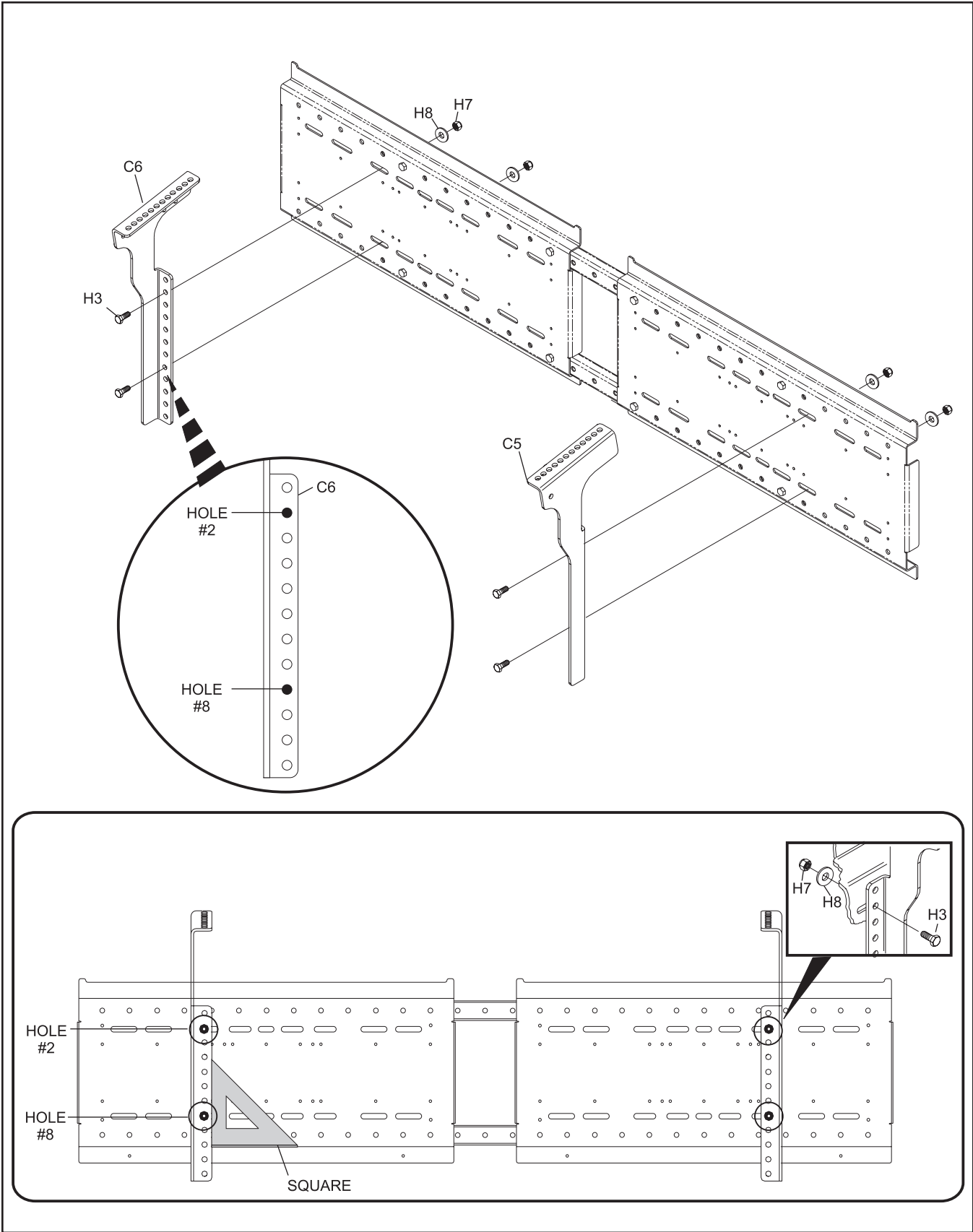


HOLE LOCATIONS FOR COMPONENT "C1"

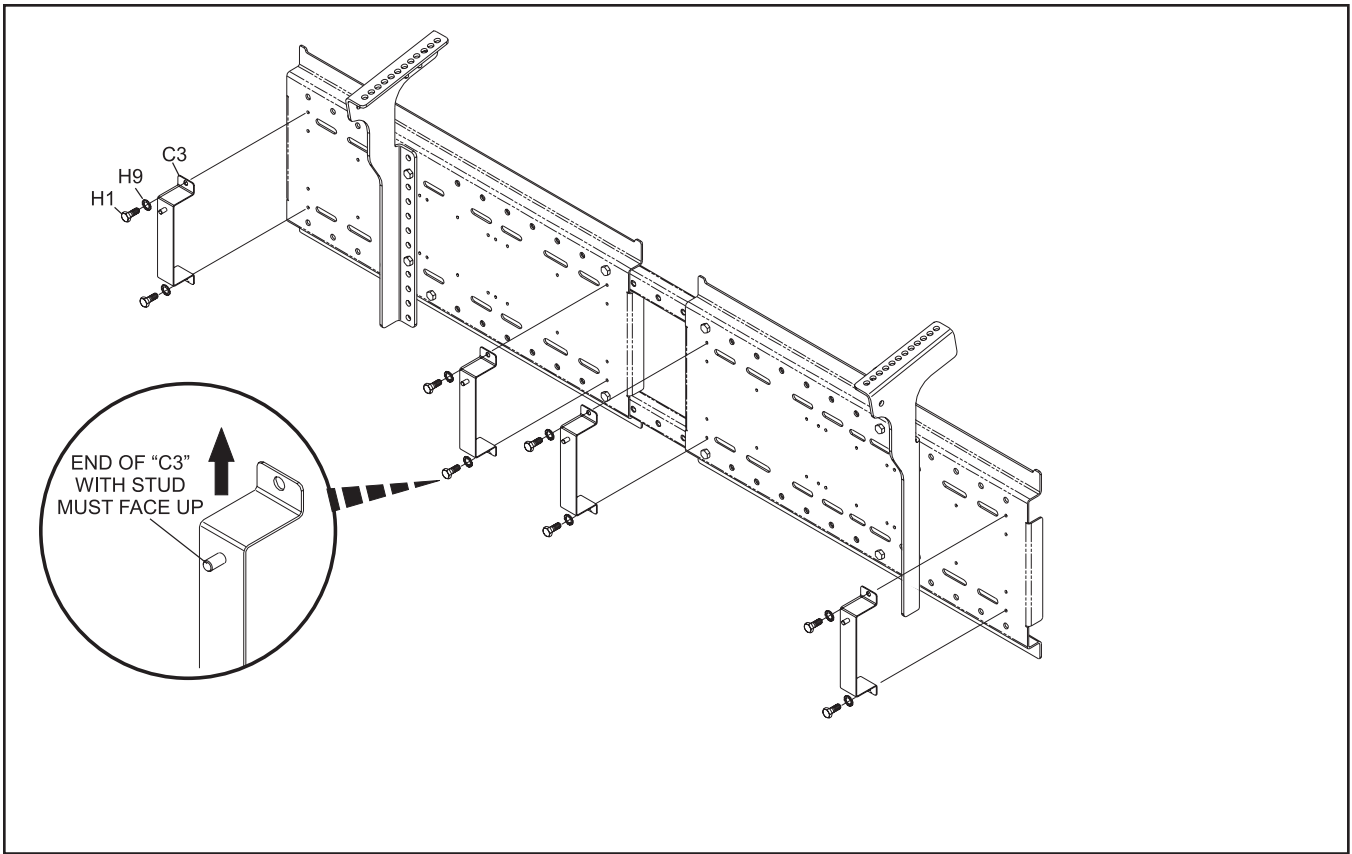




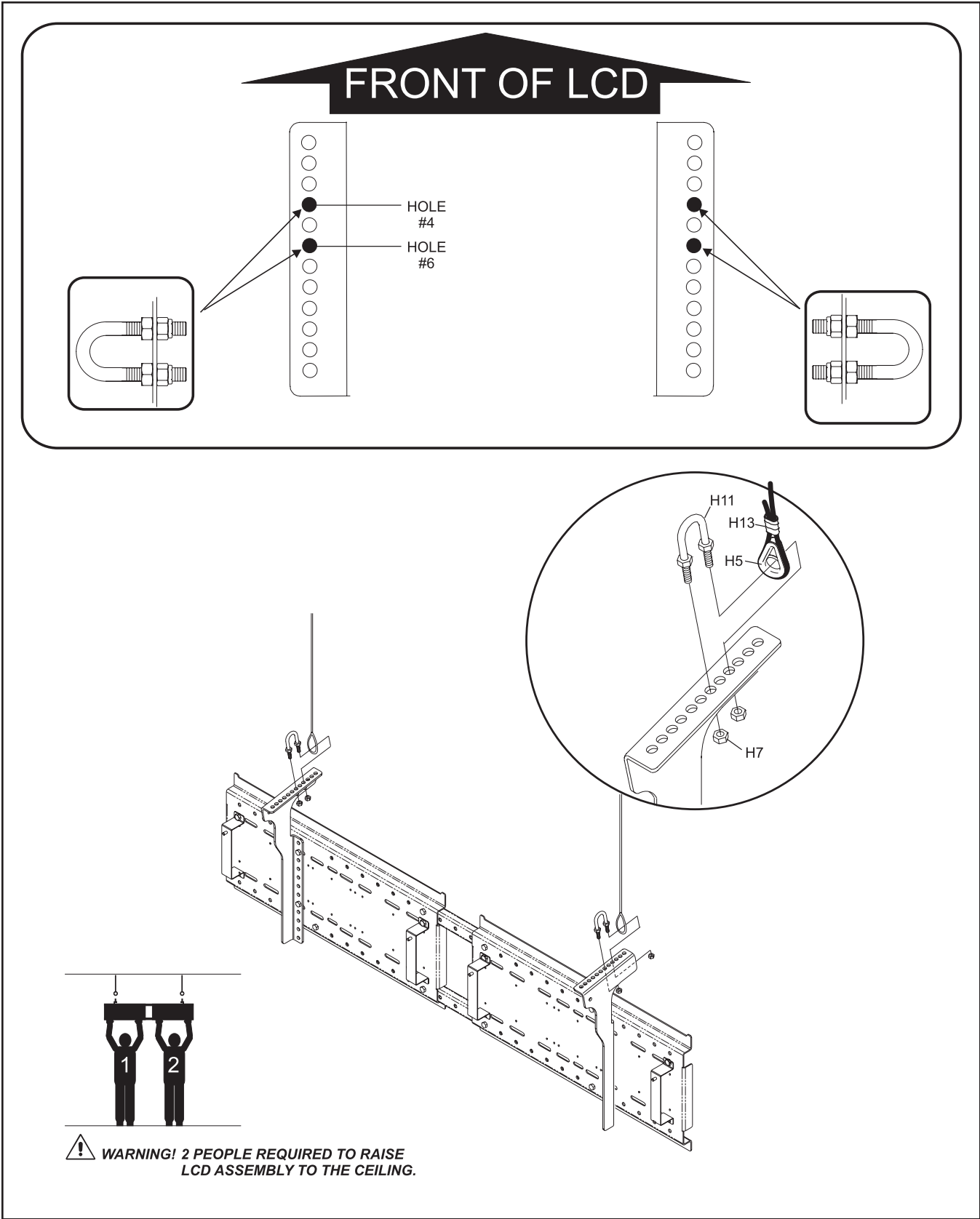
Step 2



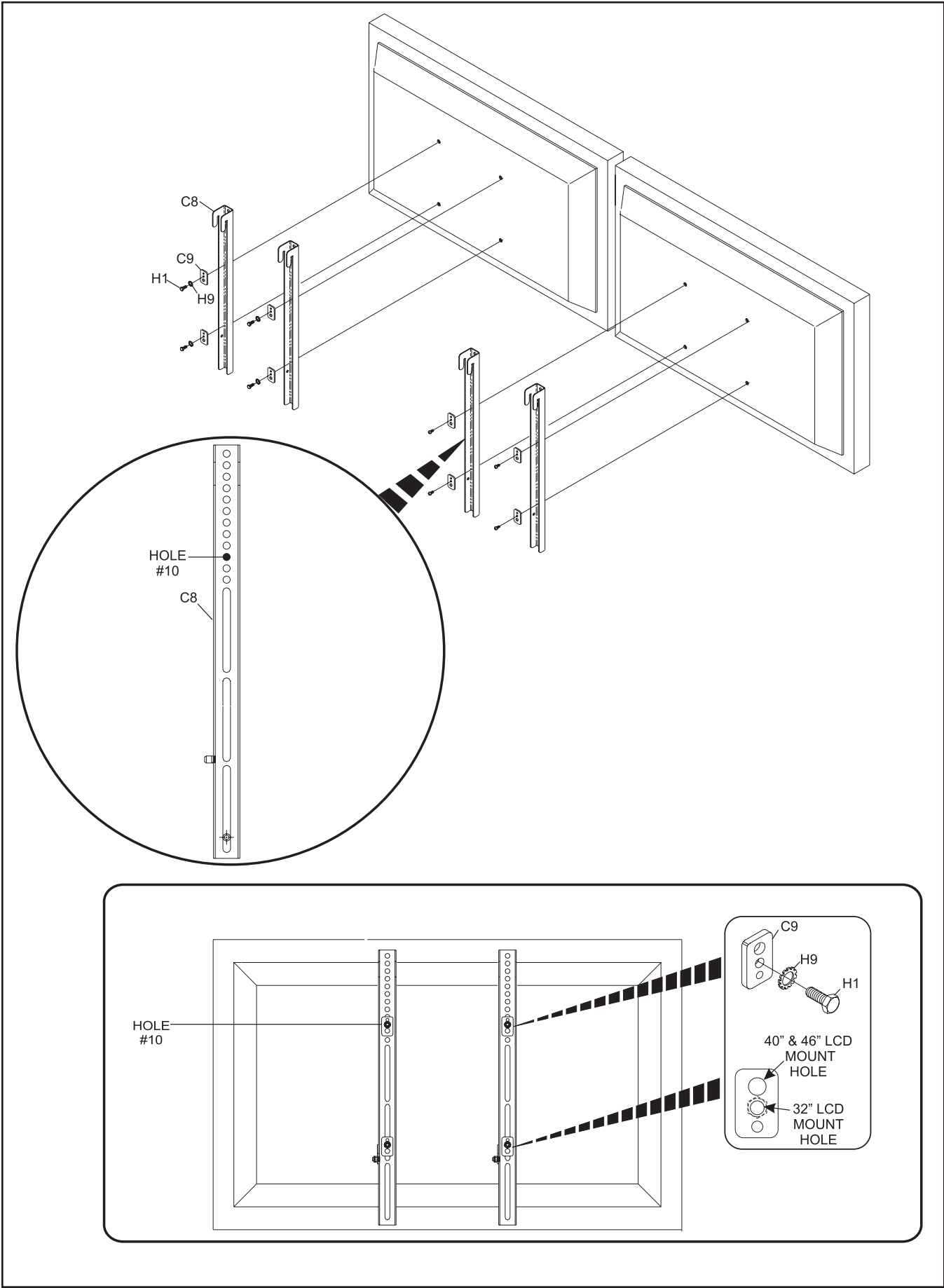
Step 3



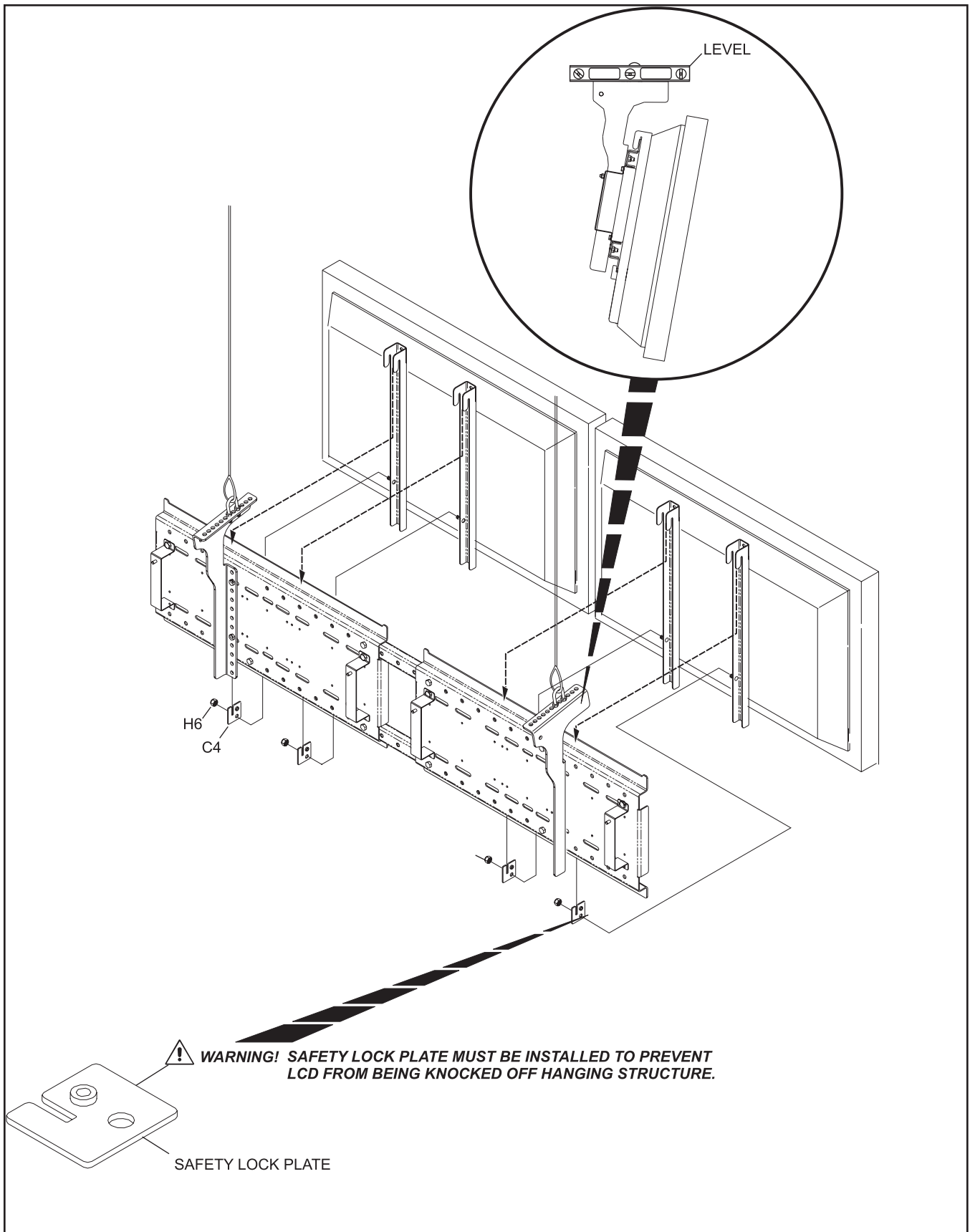
Step 4



Step 5



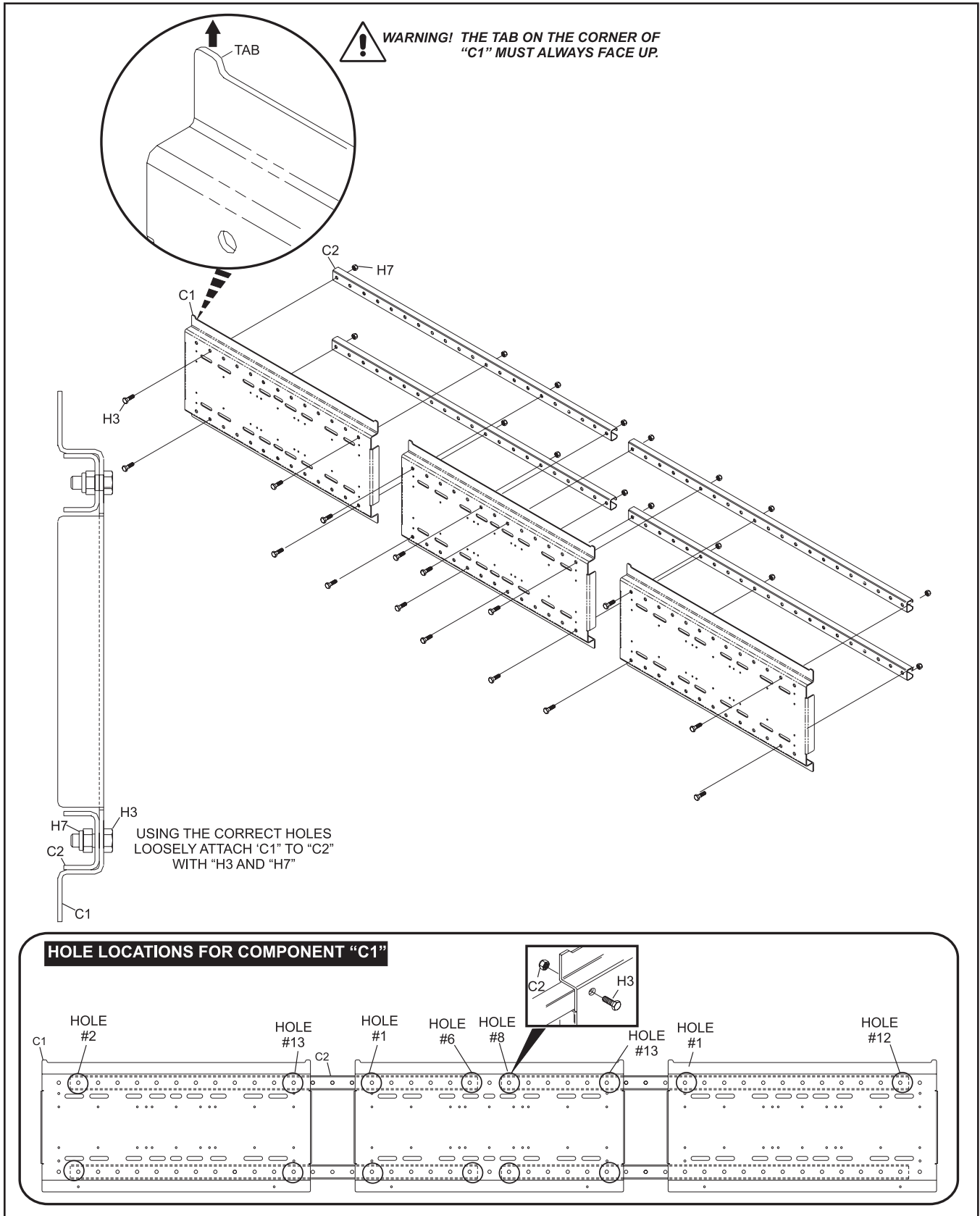
Step 6



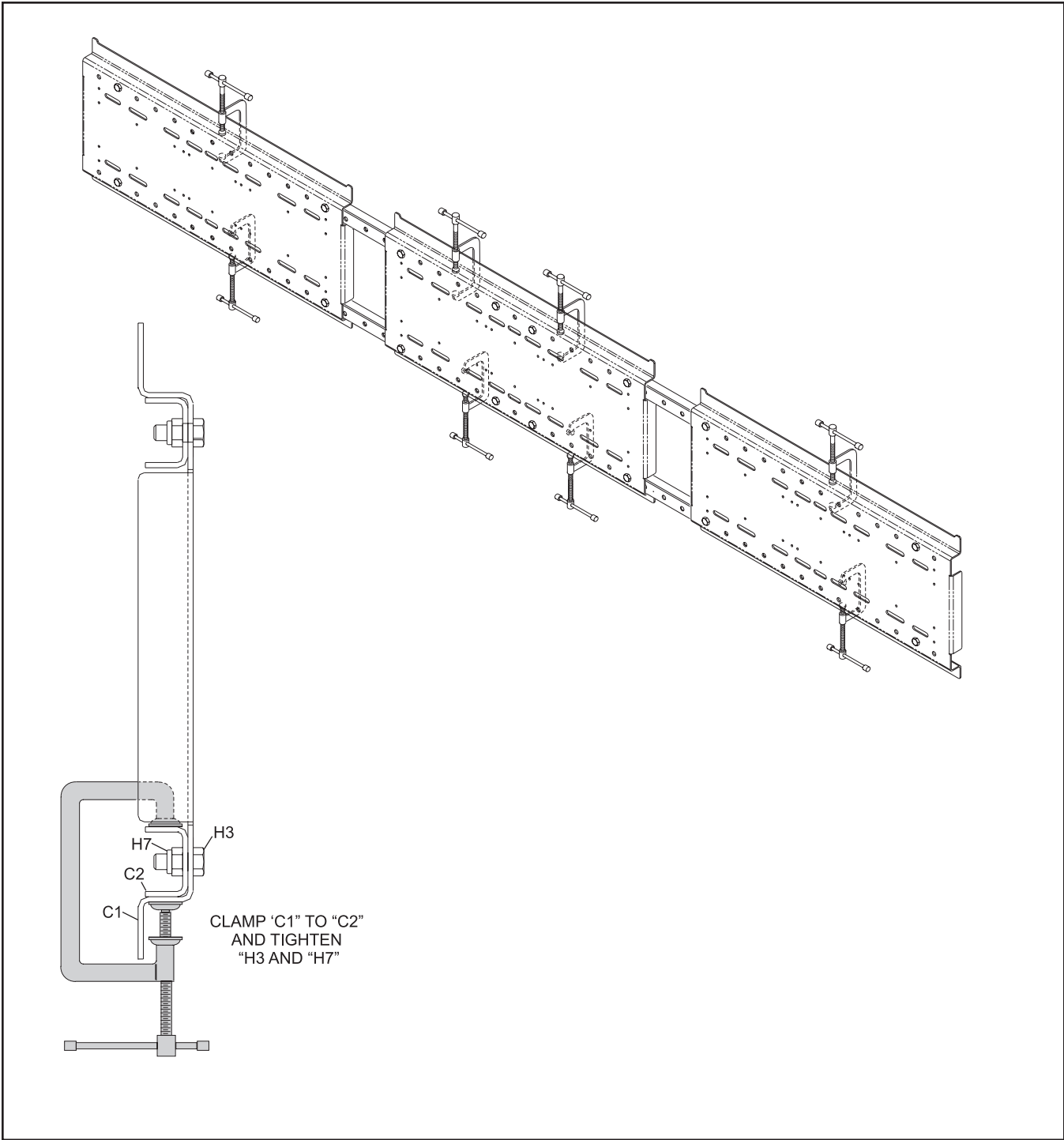
Step 7

Intentionally Blank Page

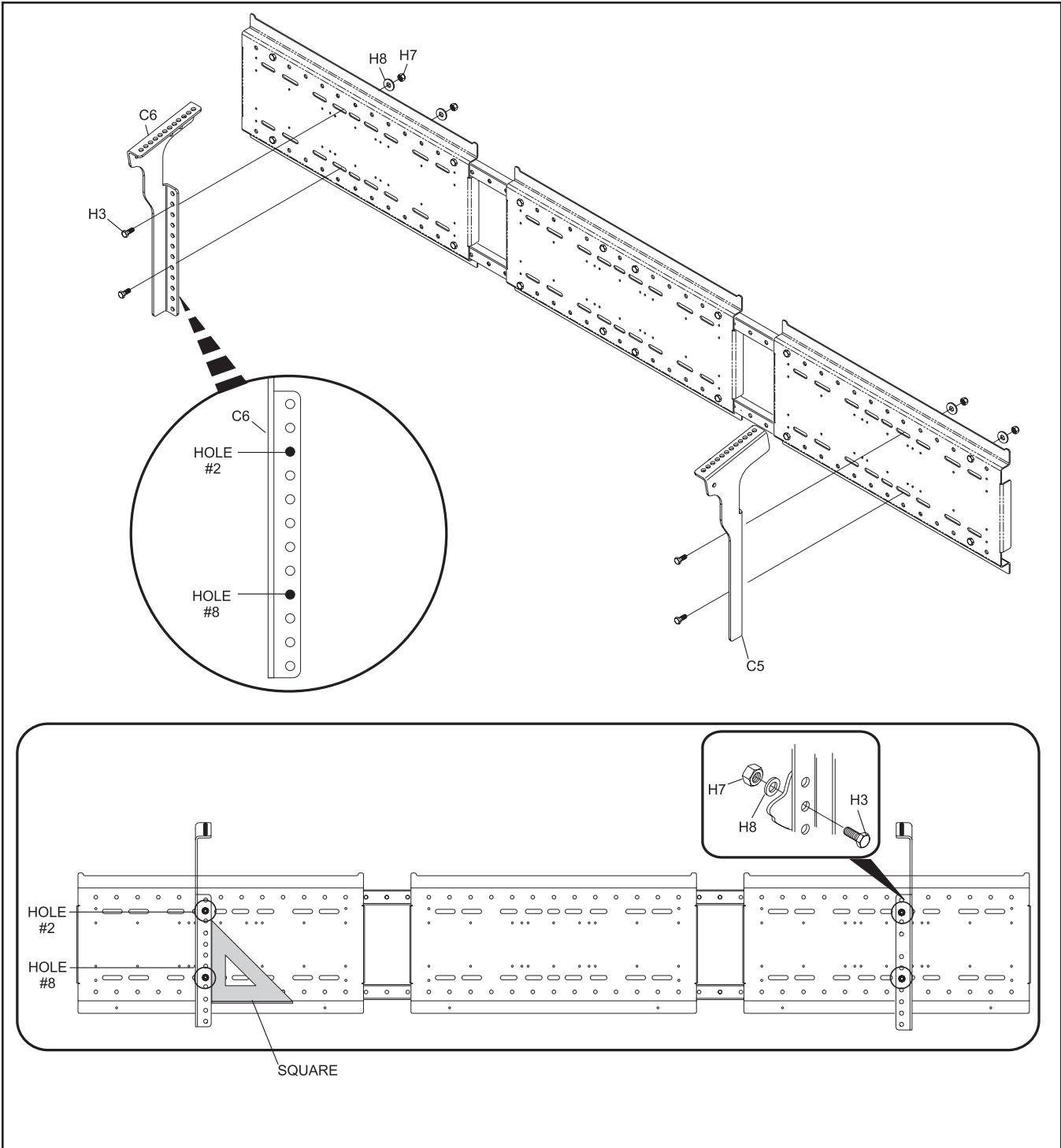
32" Triple LCD Low Profile Support Structure Assembly



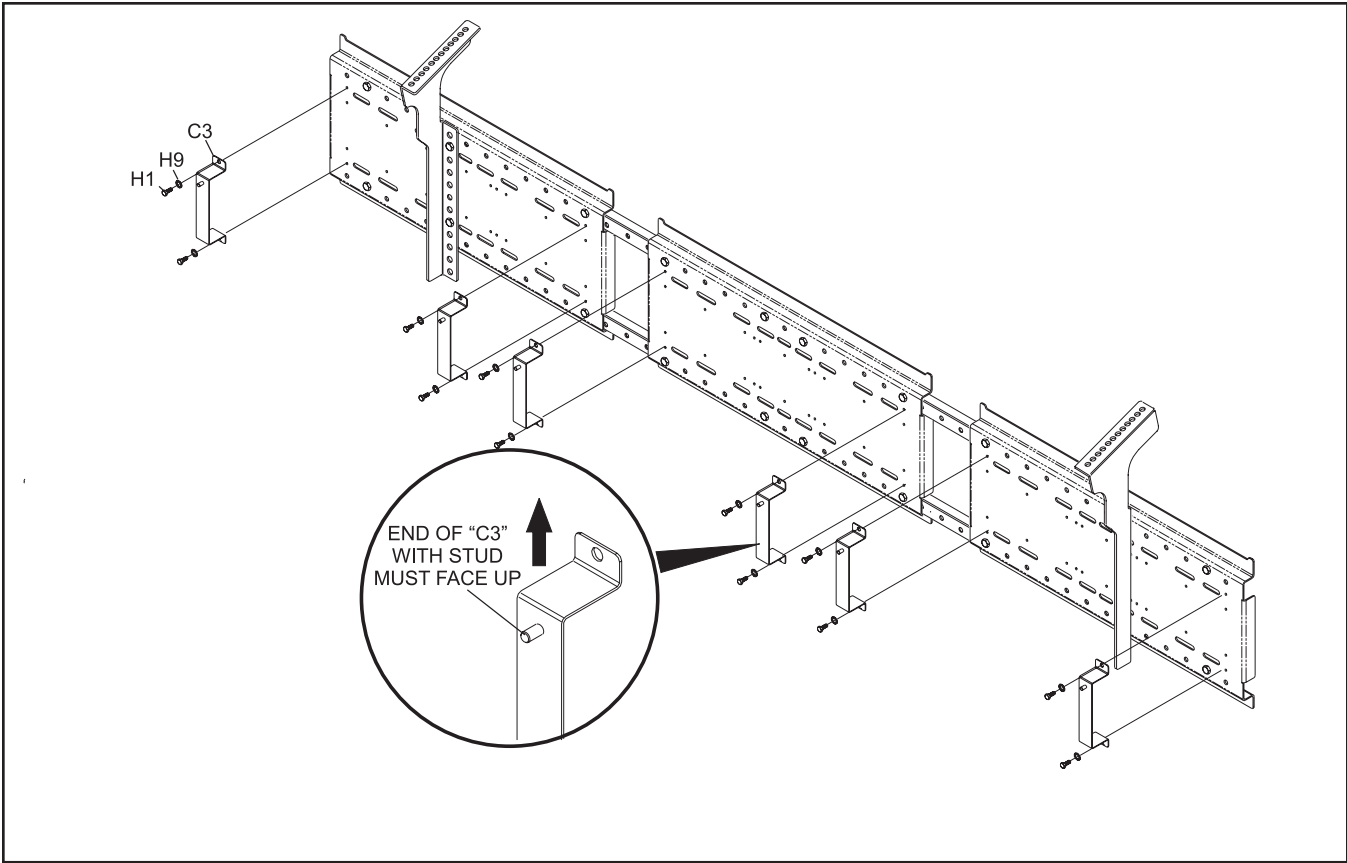
Step 1



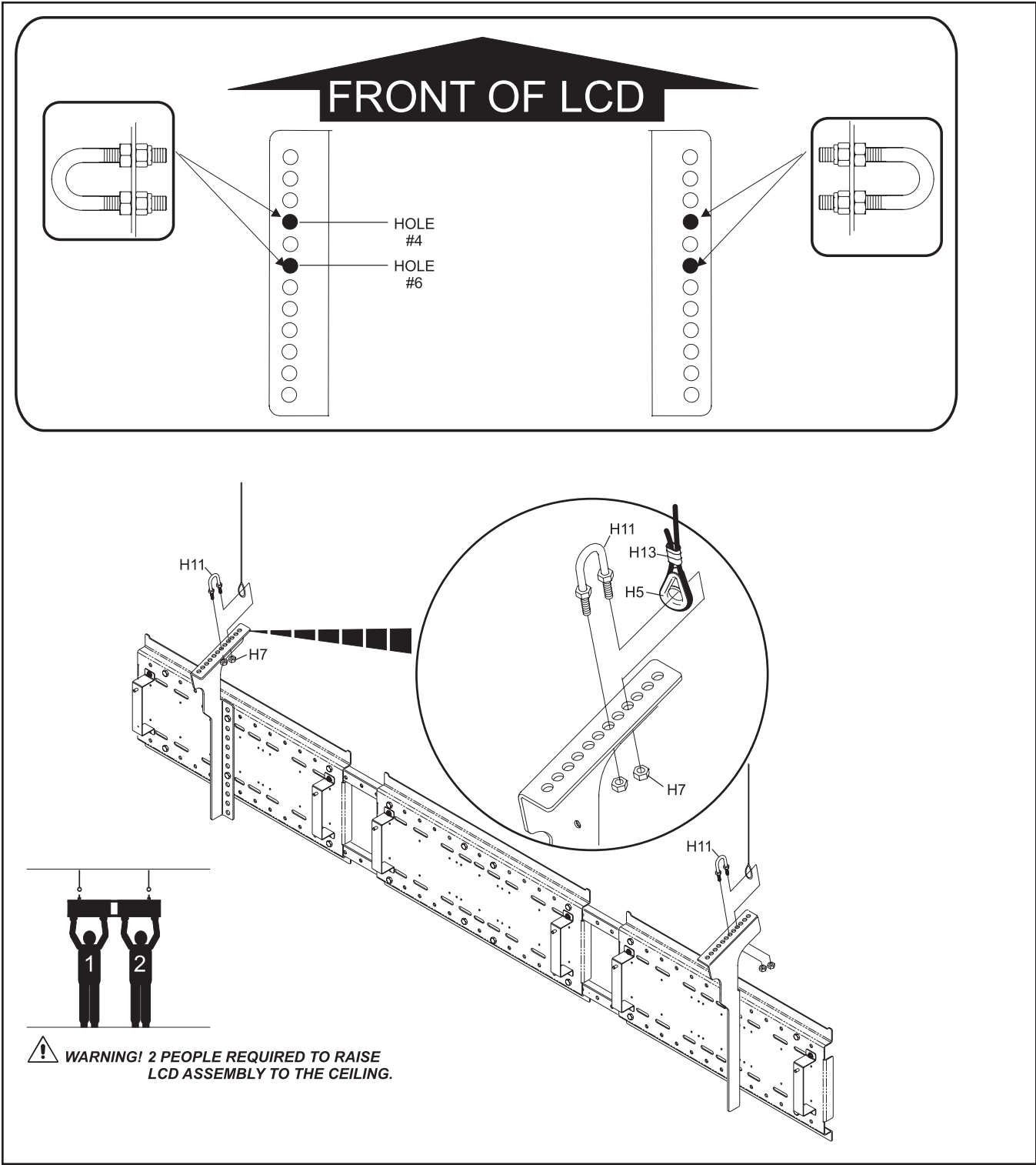
Step 2



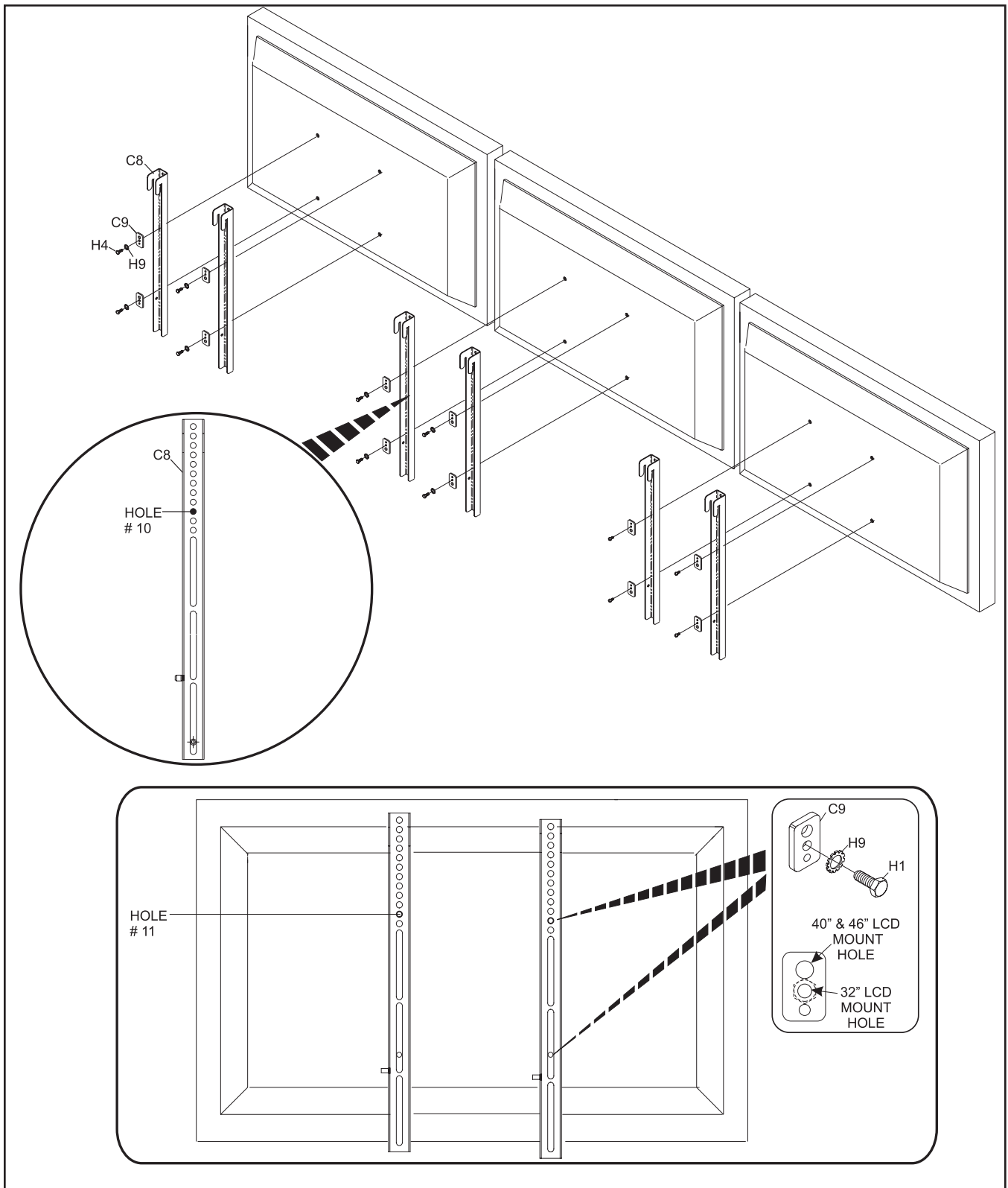
Step 3



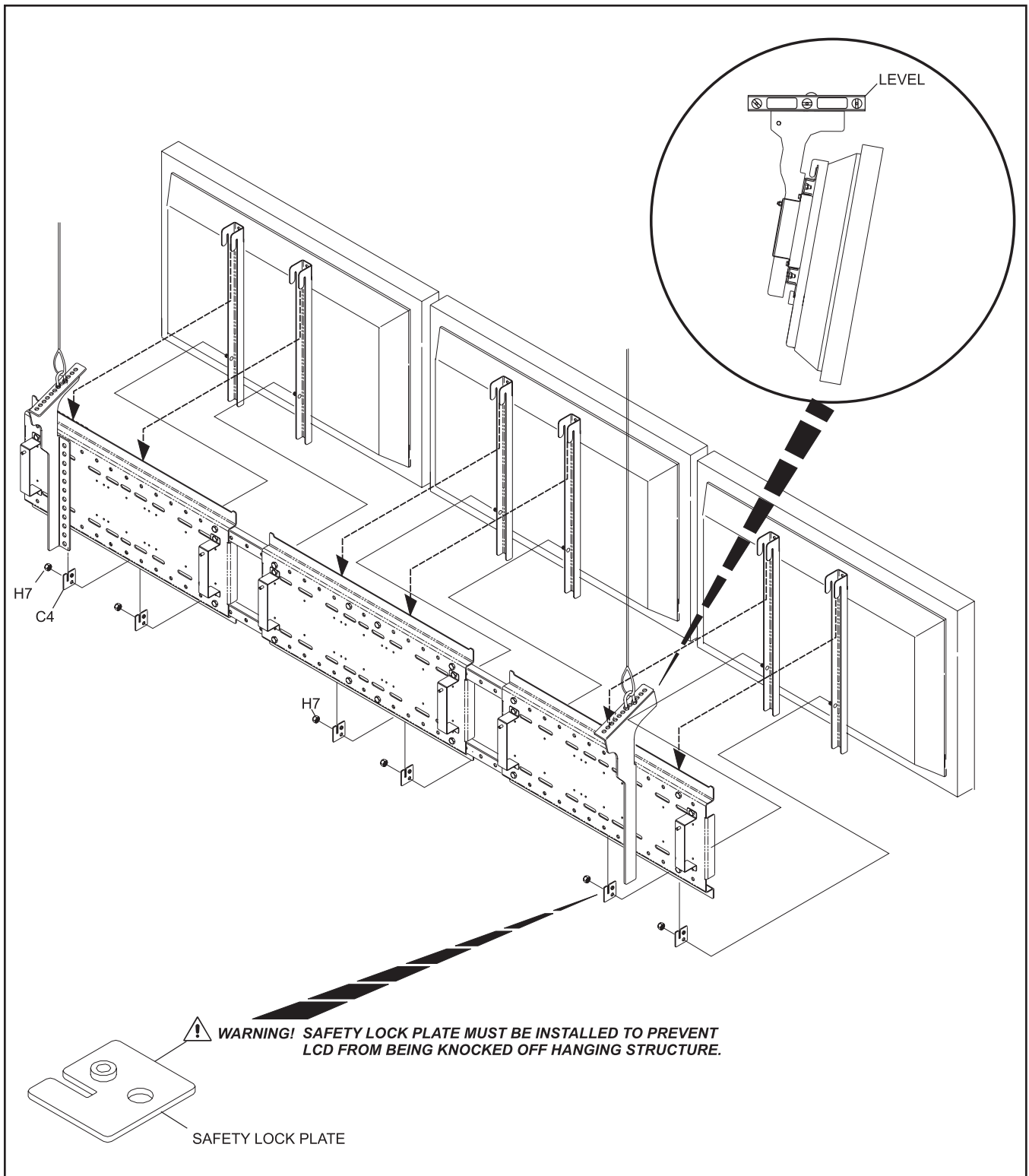
Step 4



Step 5



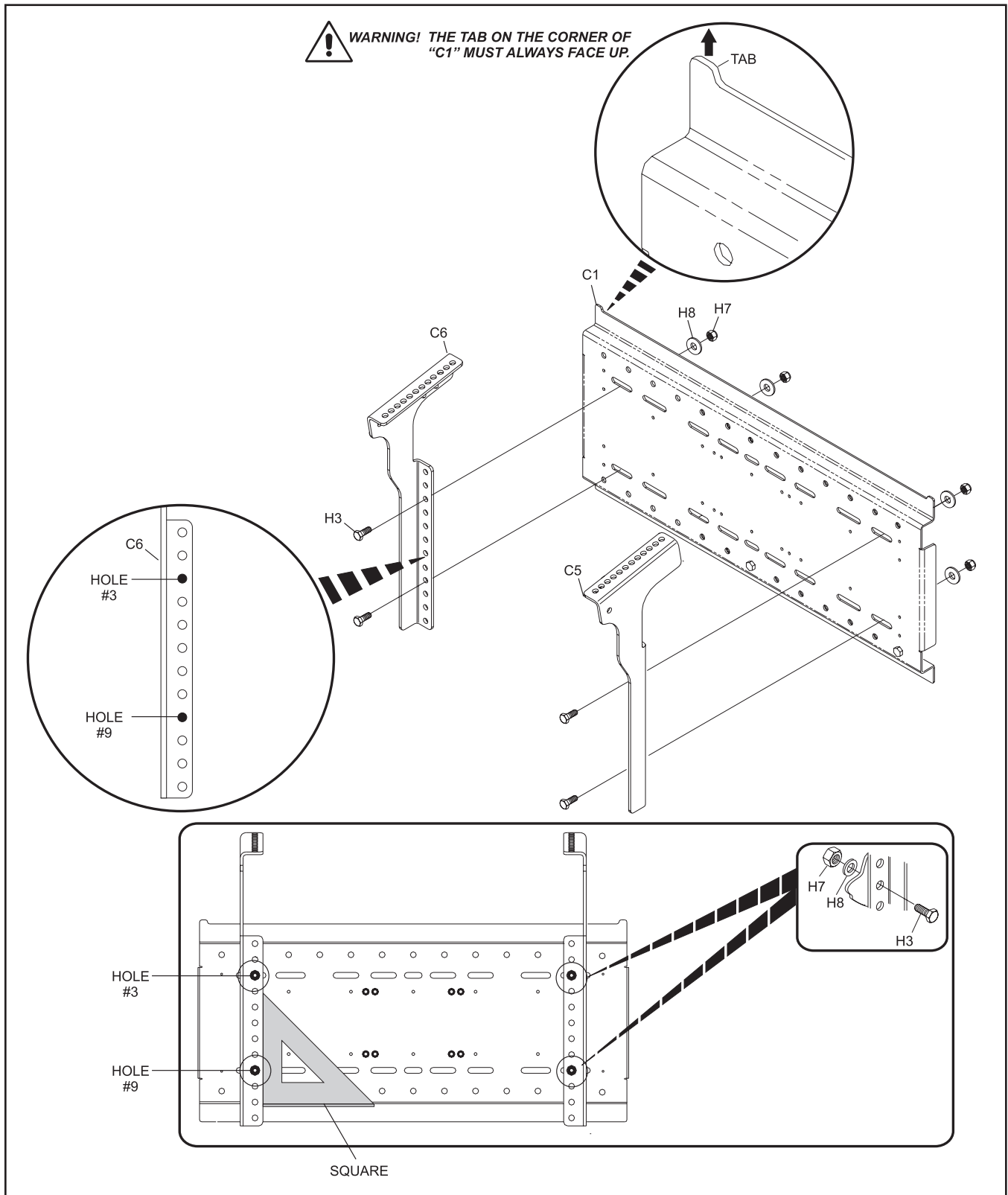
Step 6



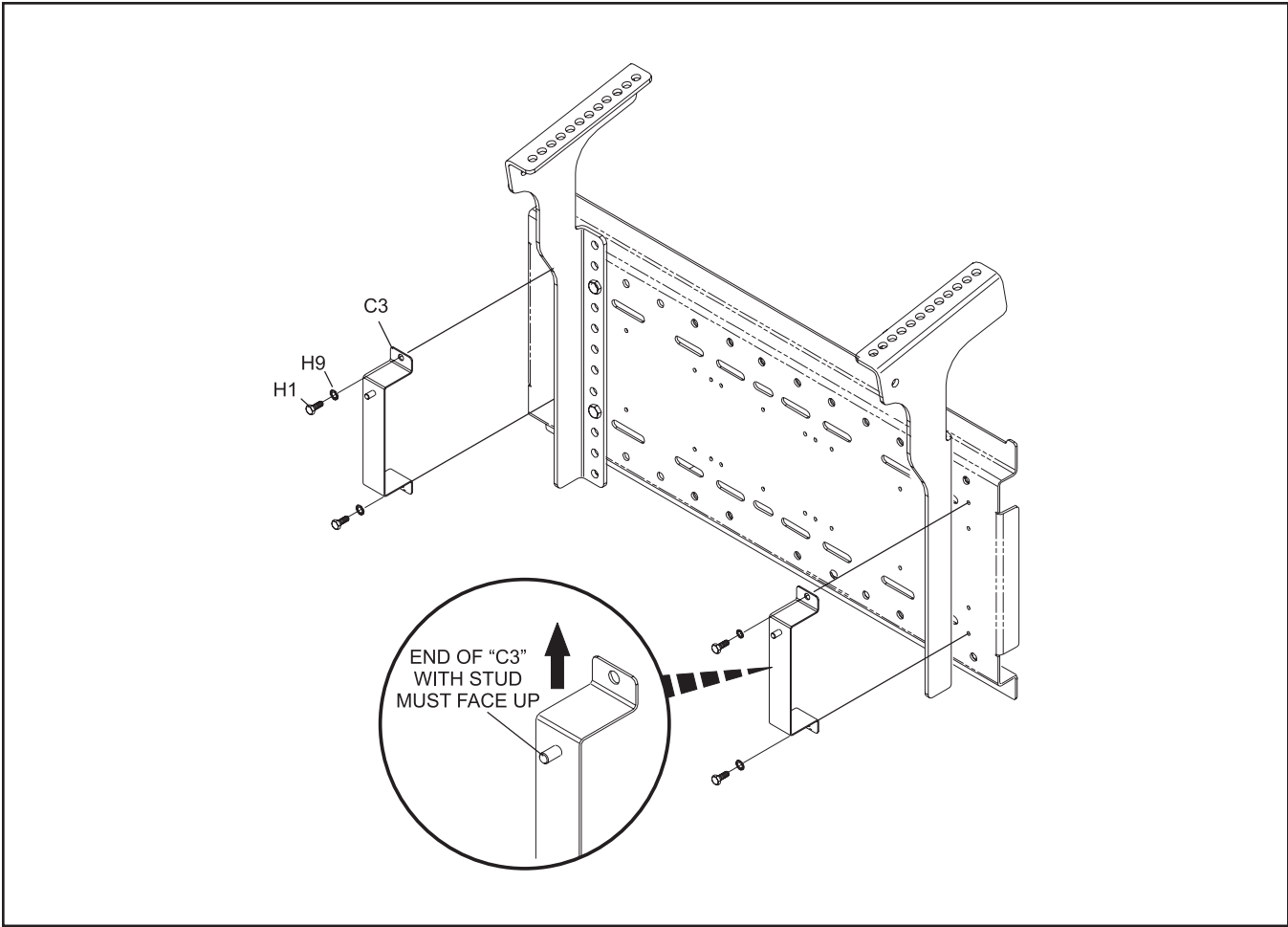
Step 7

Intentionally Blank Page

40" Single LCD Low Profile Support Structure Assembly

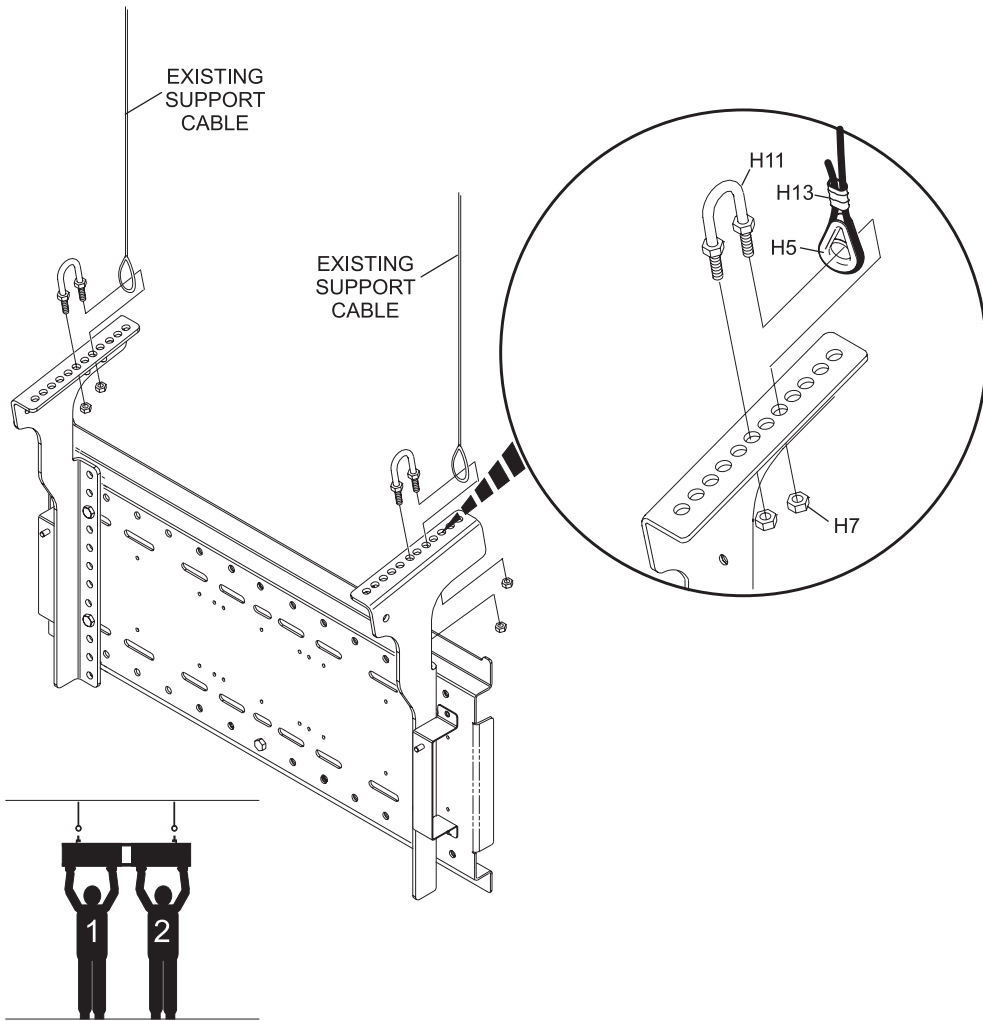
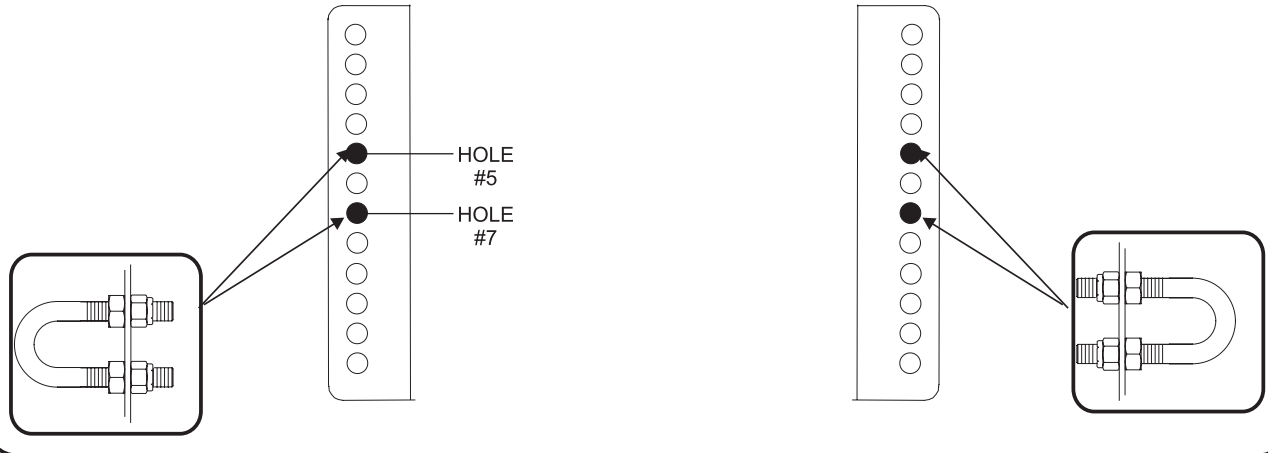


Step 1



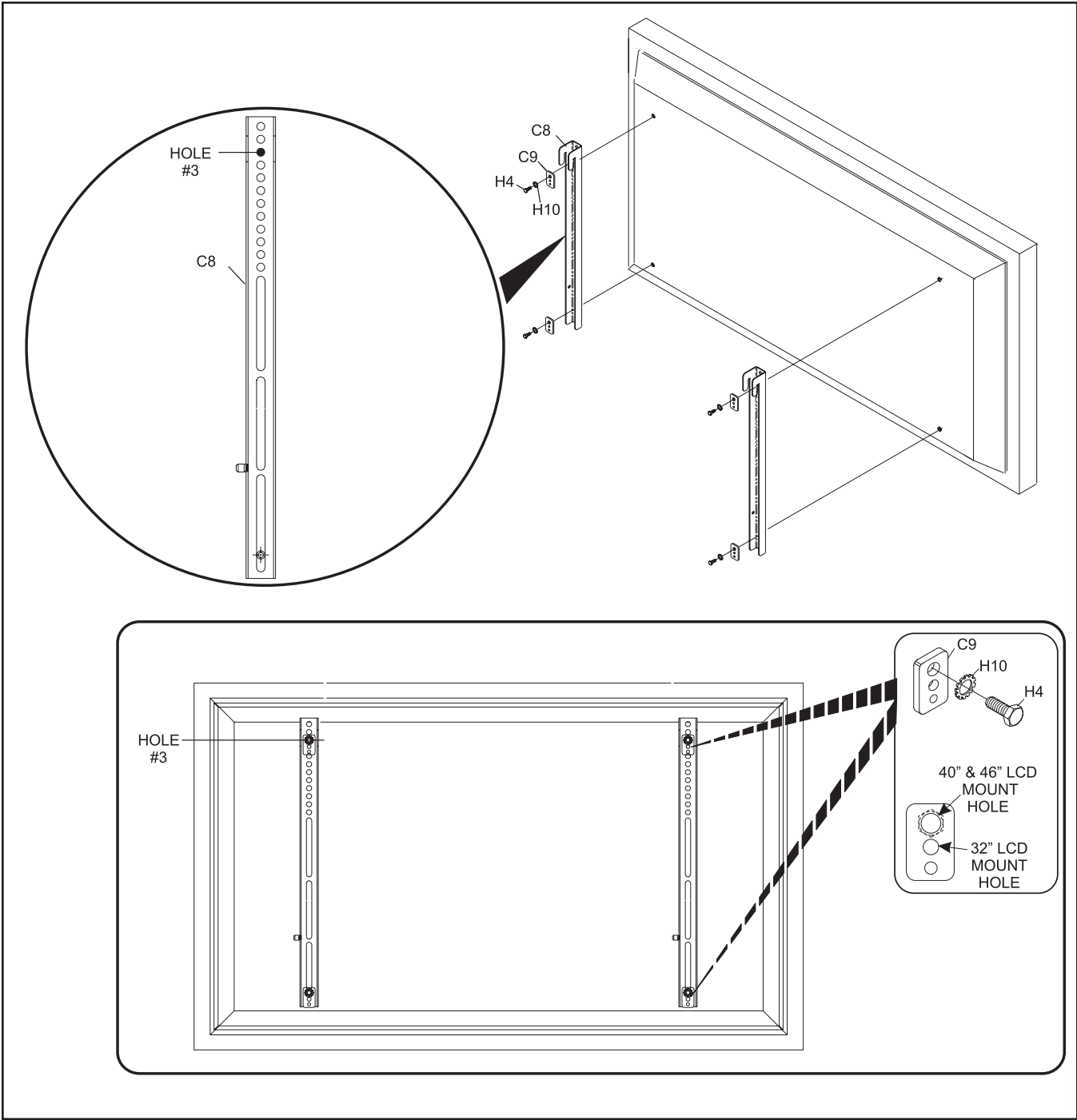
Step 2

FRONT OF LCD

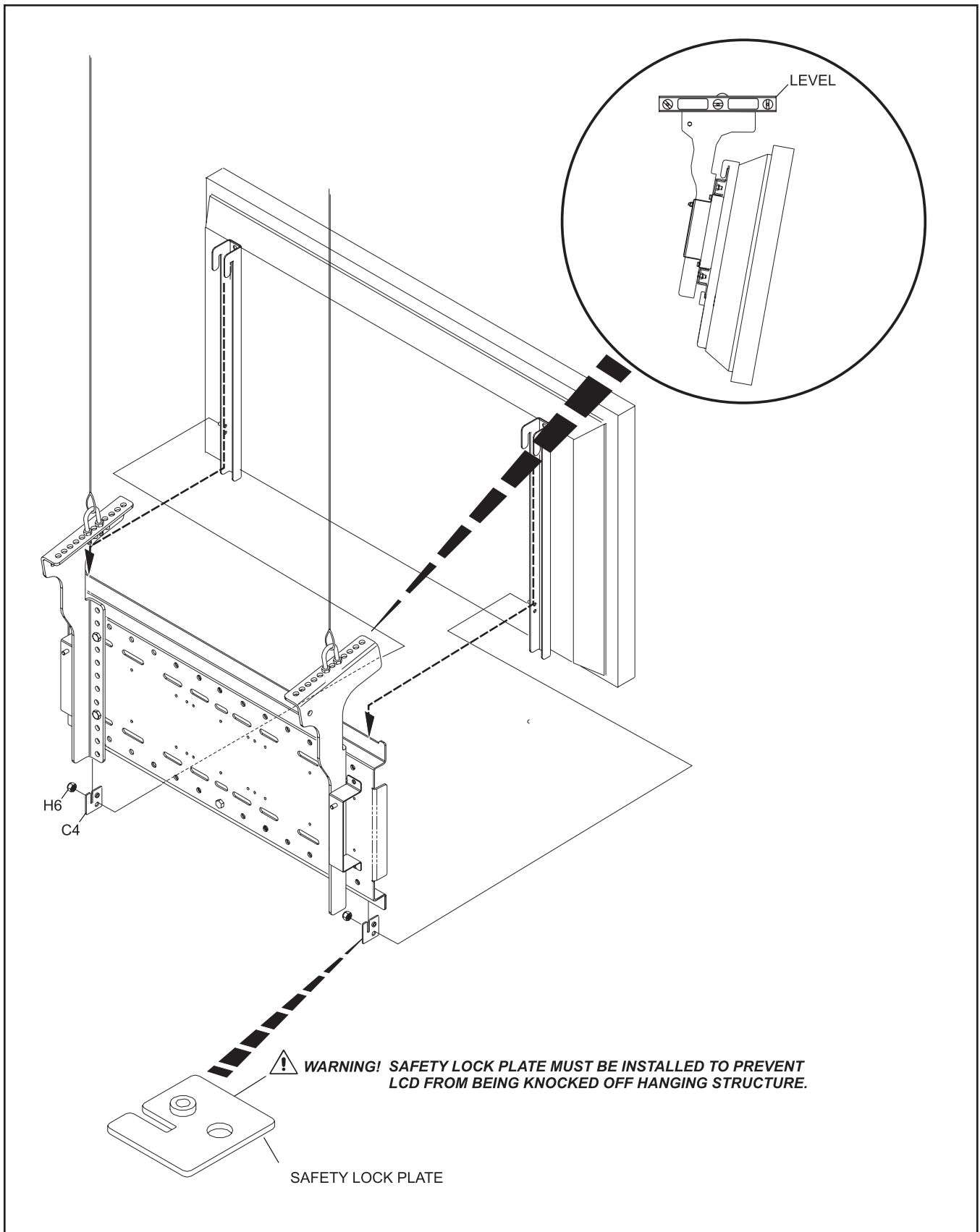


! WARNING! 2 PEOPLE REQUIRED TO RAISE LCD ASSEMBLY TO THE CEILING.

Step 3



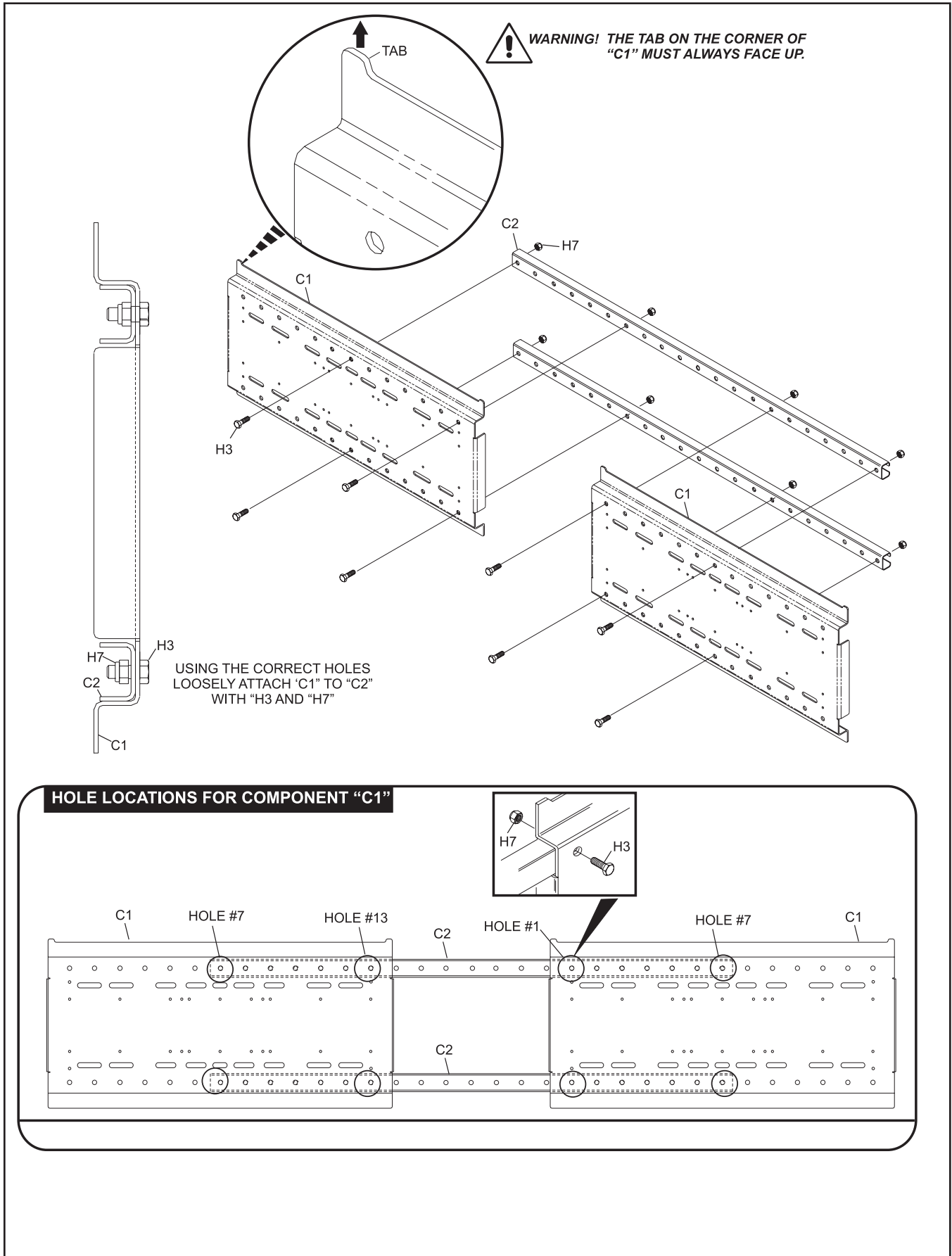
Step 4



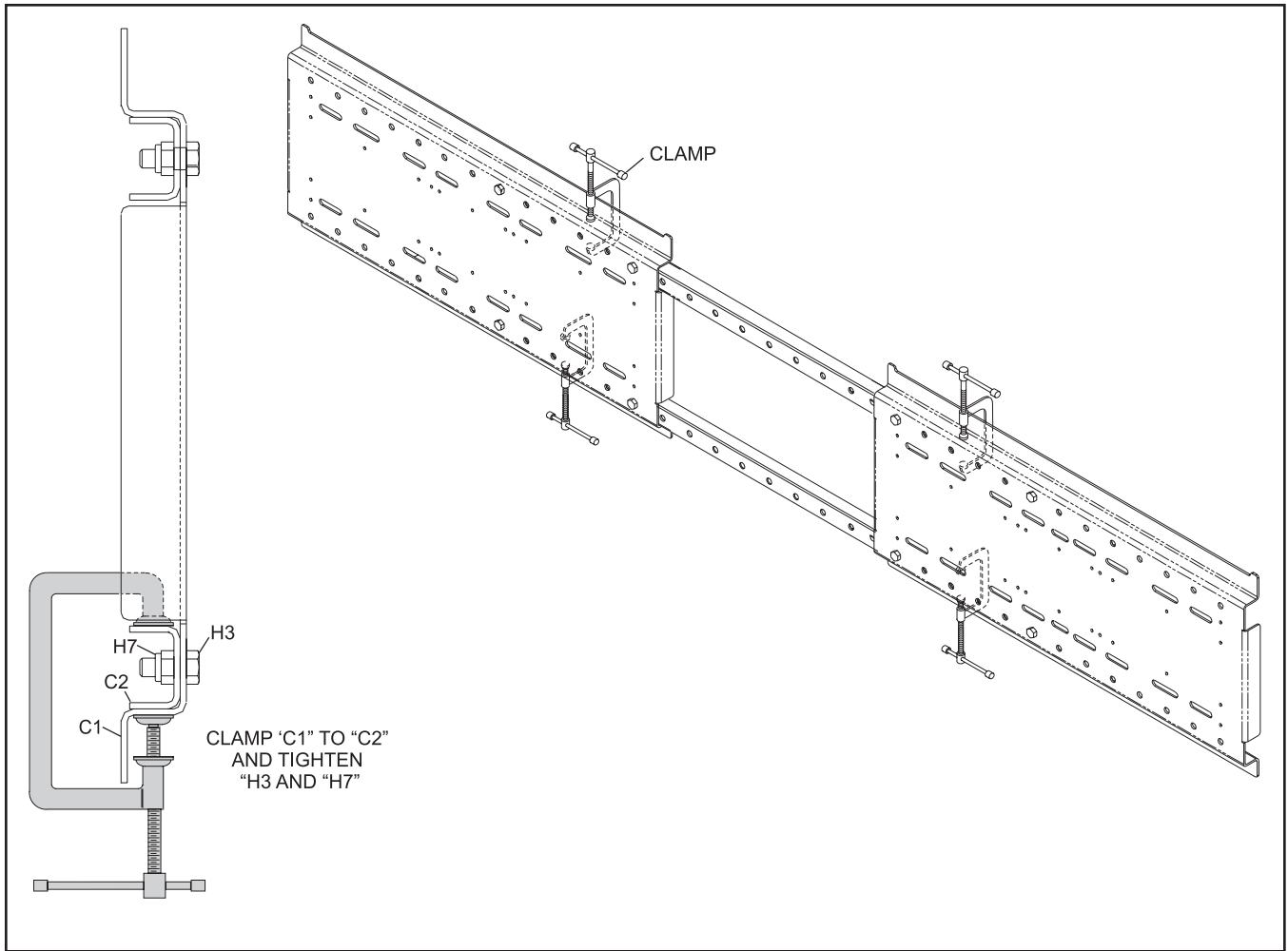
Step 5

Intentionally Blank Page

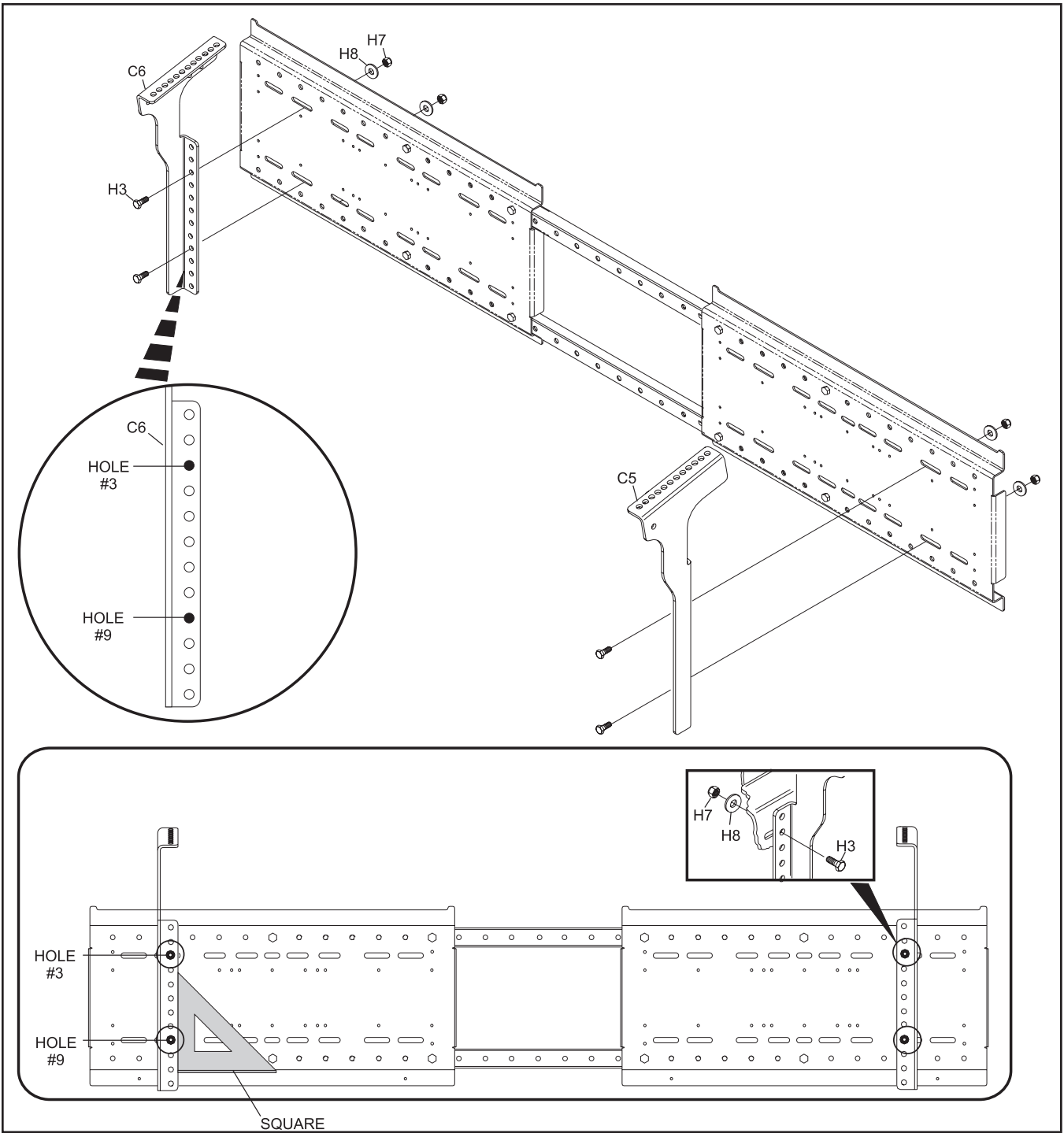
40" Double LCD Low Profile Support Structure Assembly



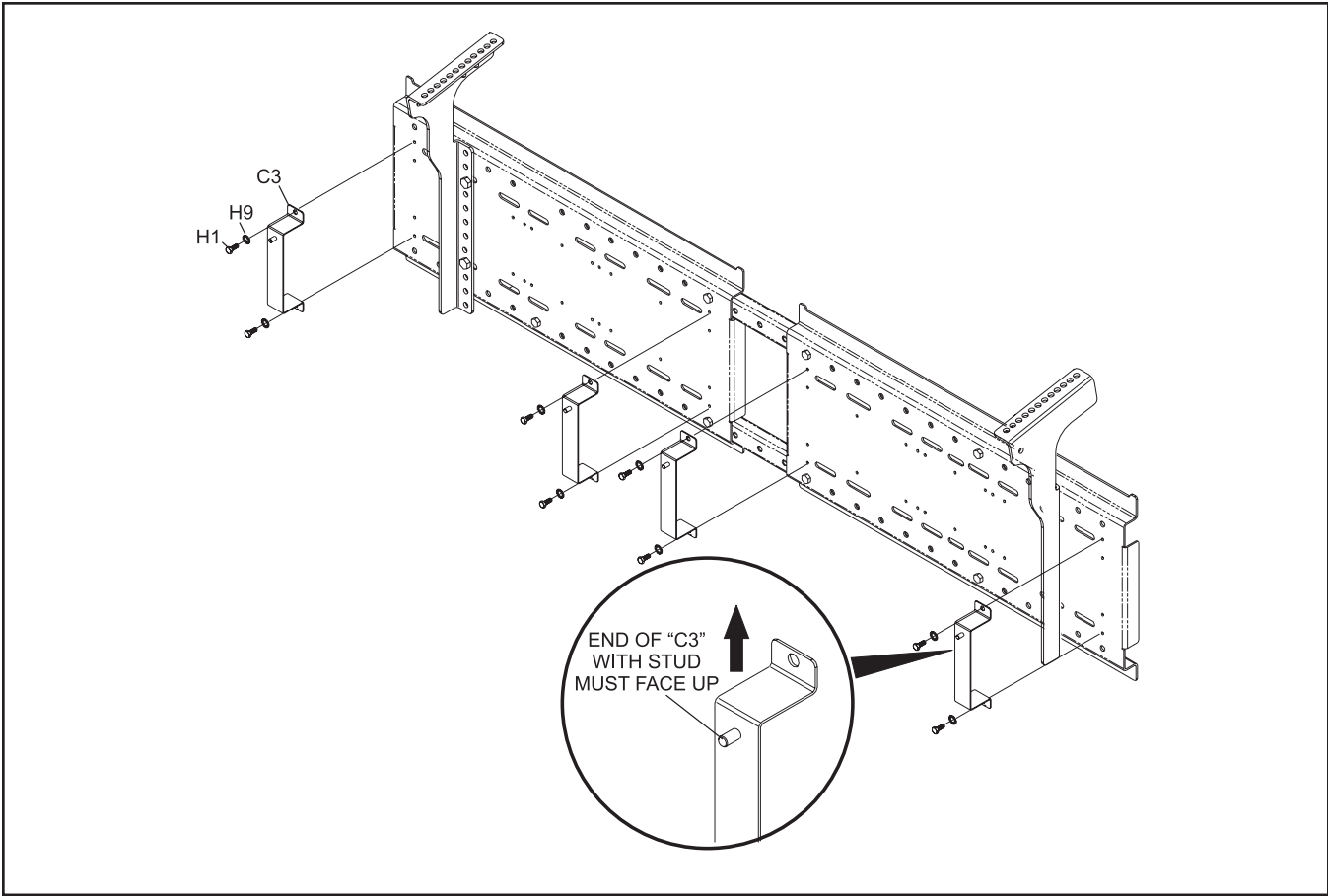
Step 1



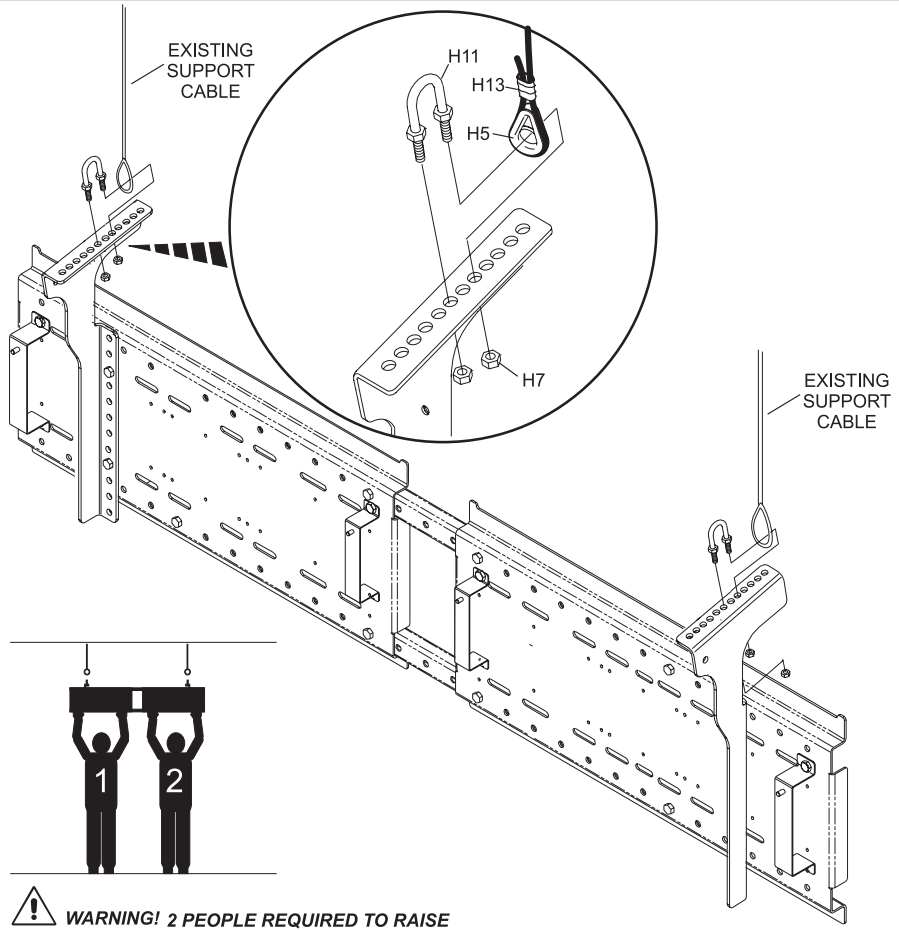
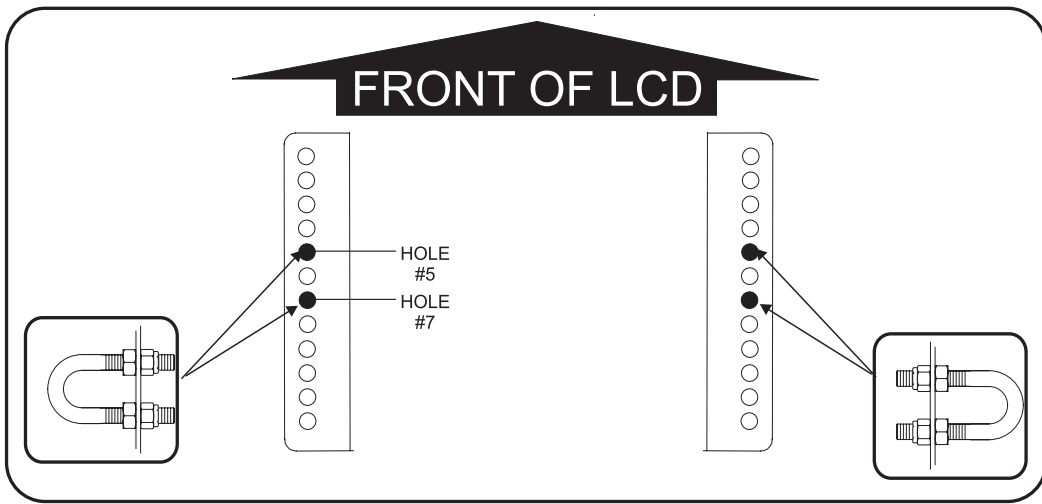
Step 2



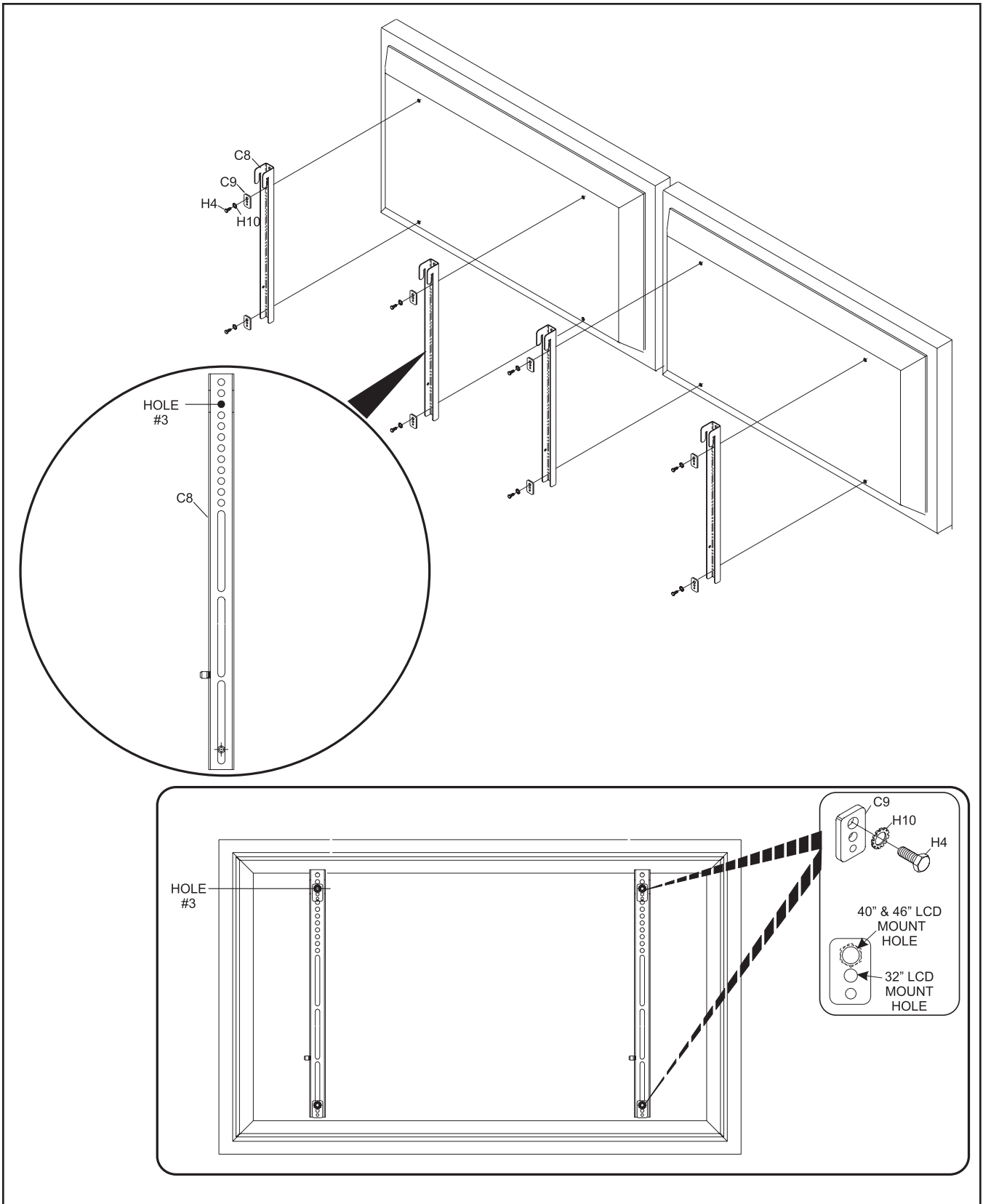
Step 3



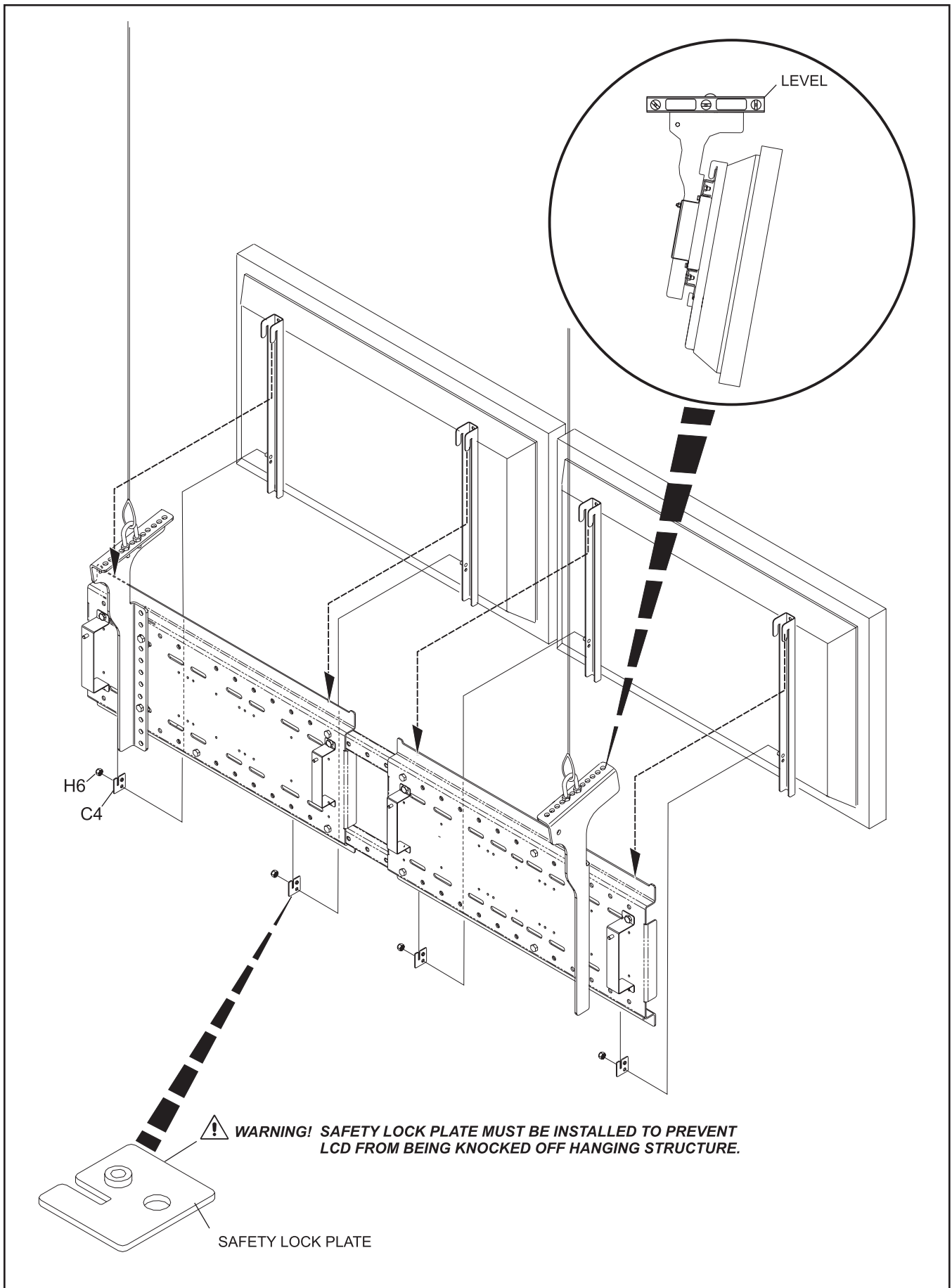
Step 4



Step 5



Step 6



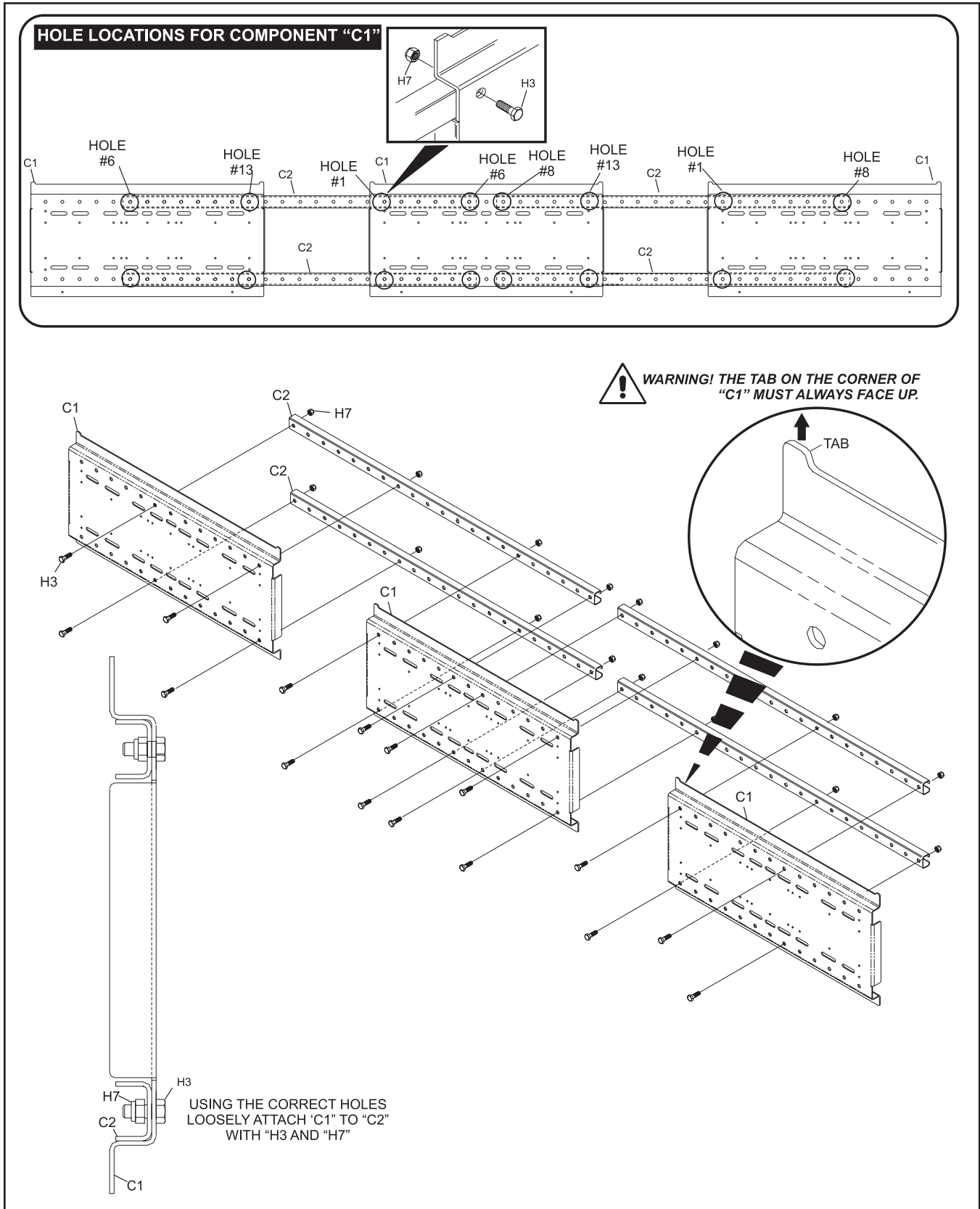
! WARNING! SAFETY LOCK PLATE MUST BE INSTALLED TO PREVENT LCD FROM BEING KNOCKED OFF HANGING STRUCTURE.

SAFETY LOCK PLATE

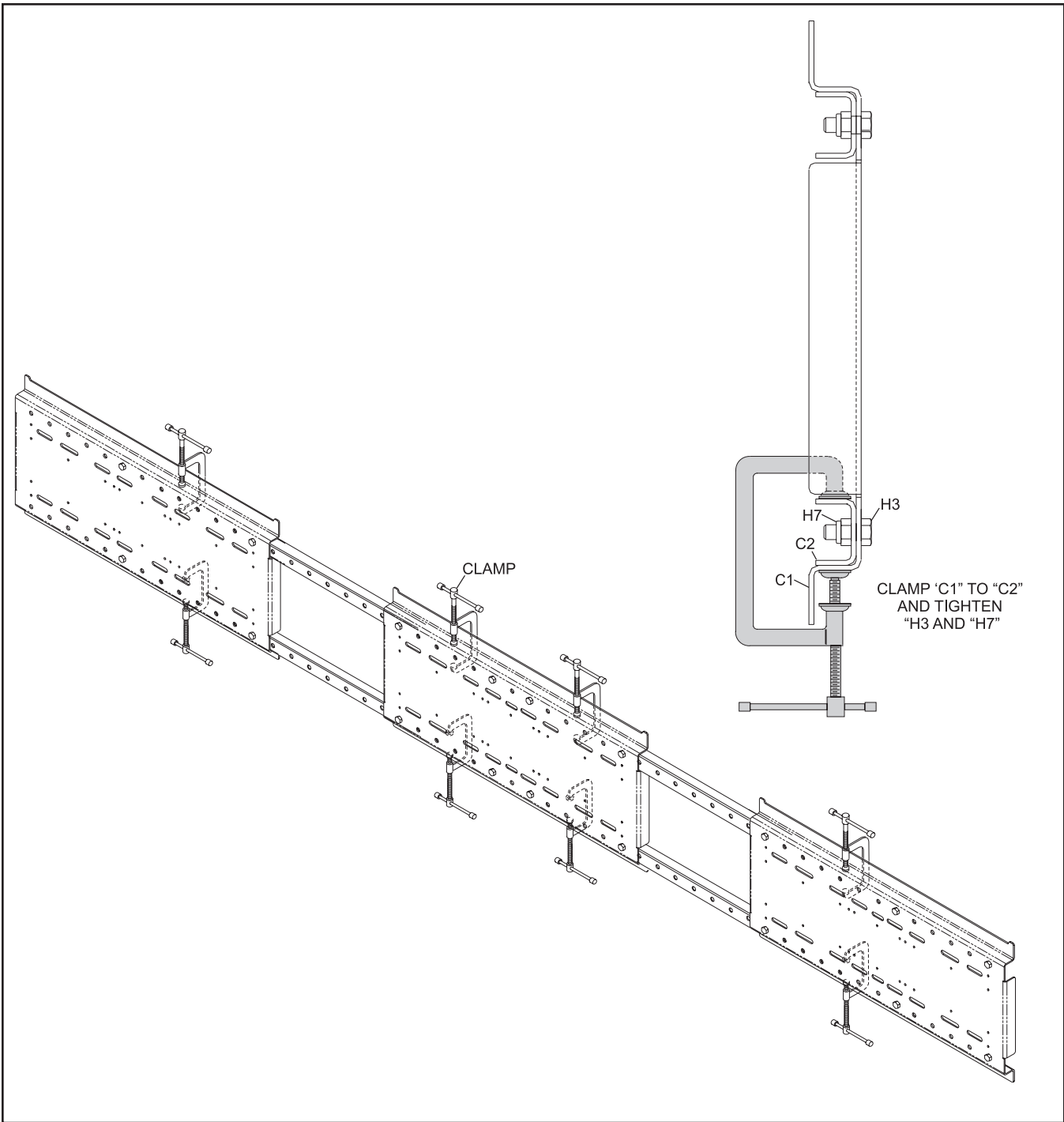
Step 7

Intentionally Blank Page

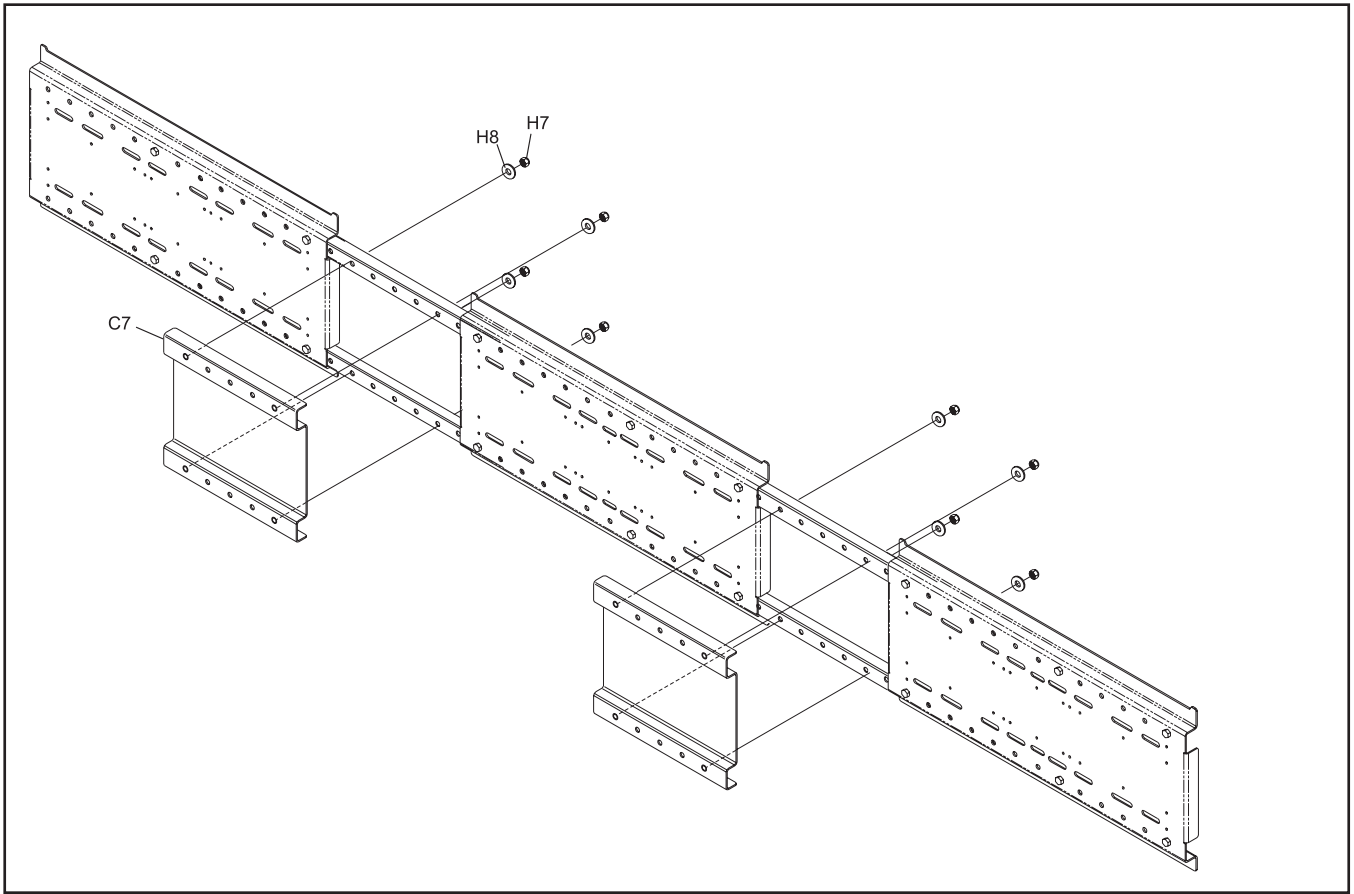
40" Triple LCD Low Profile Support Structure Assembly



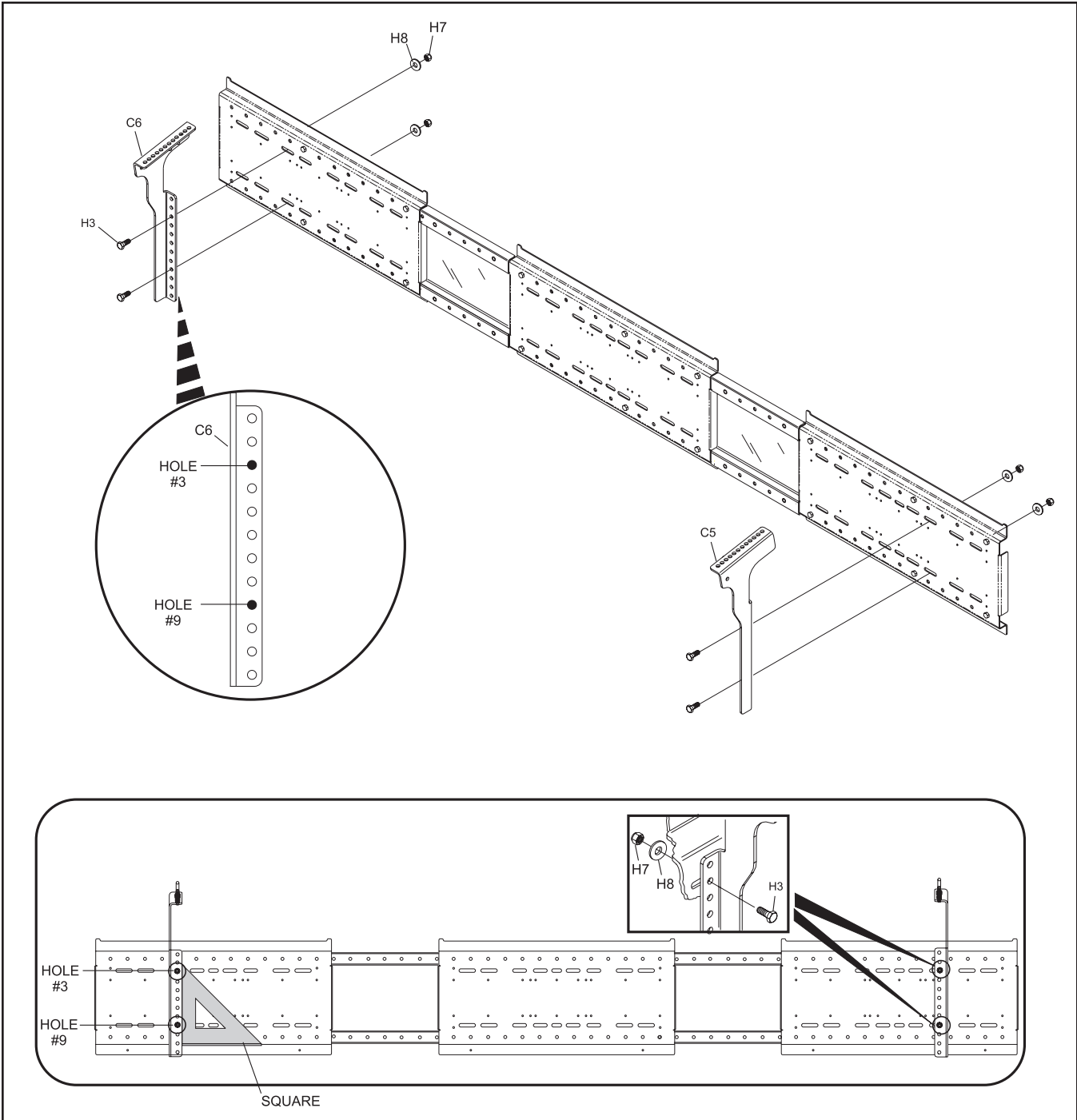
Step 1



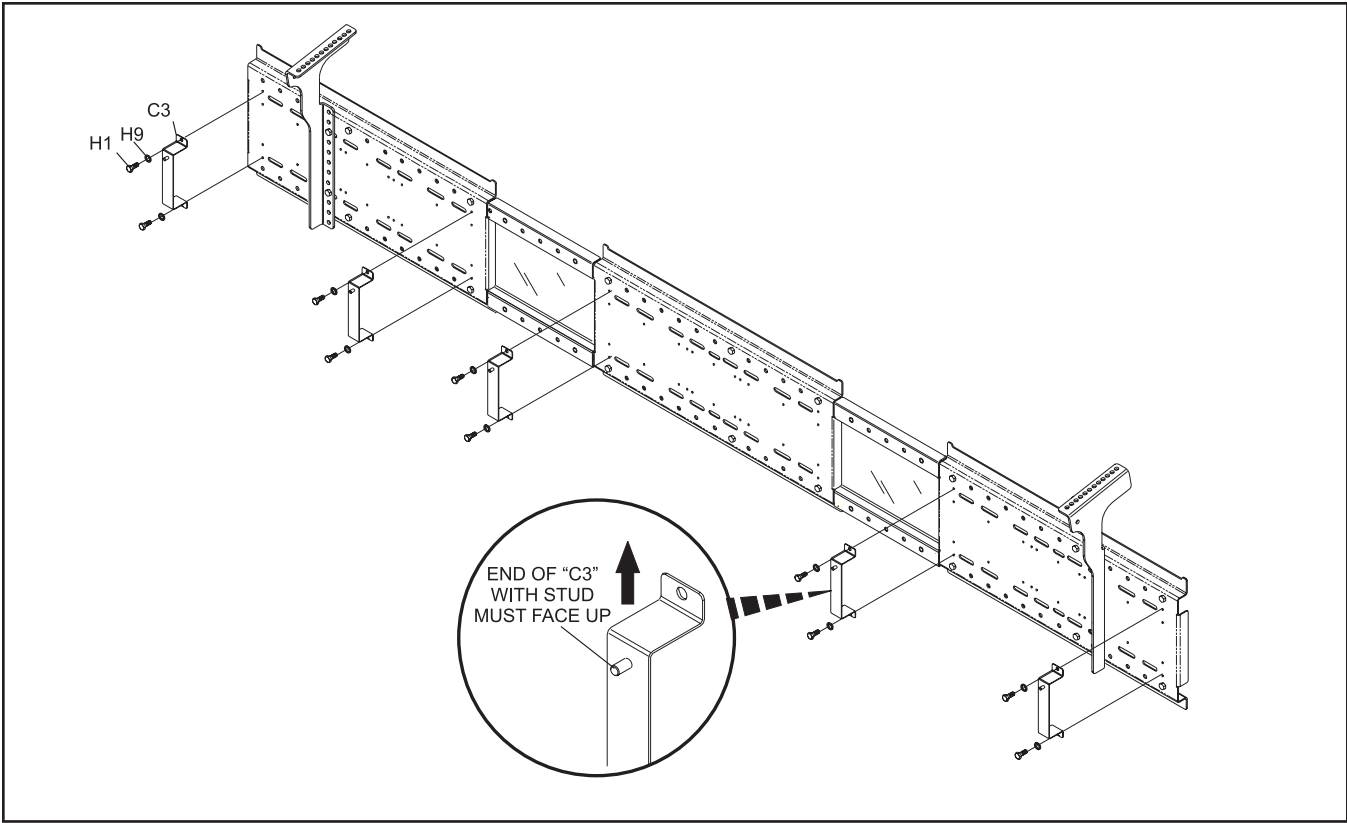
Step 2



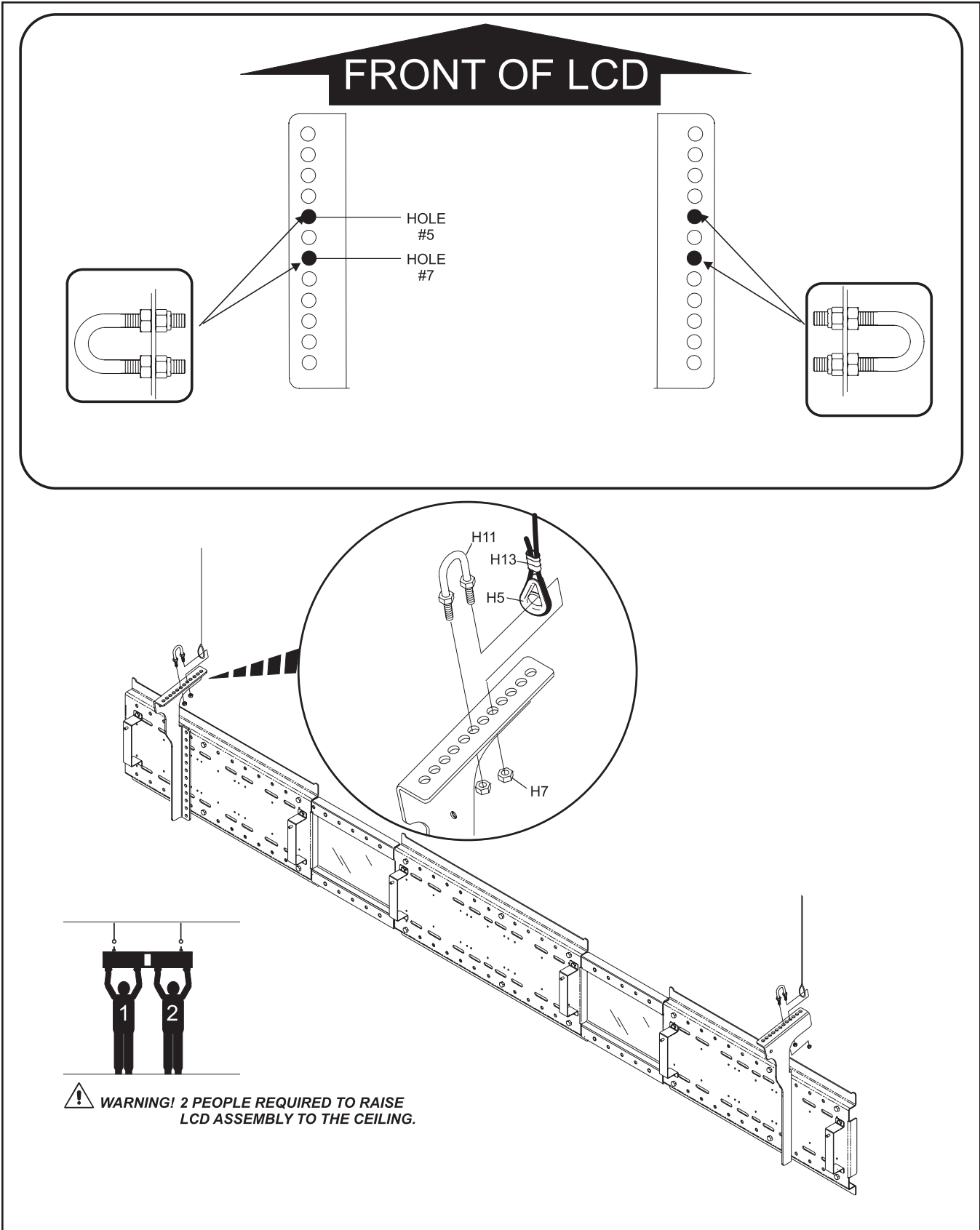
Step 3



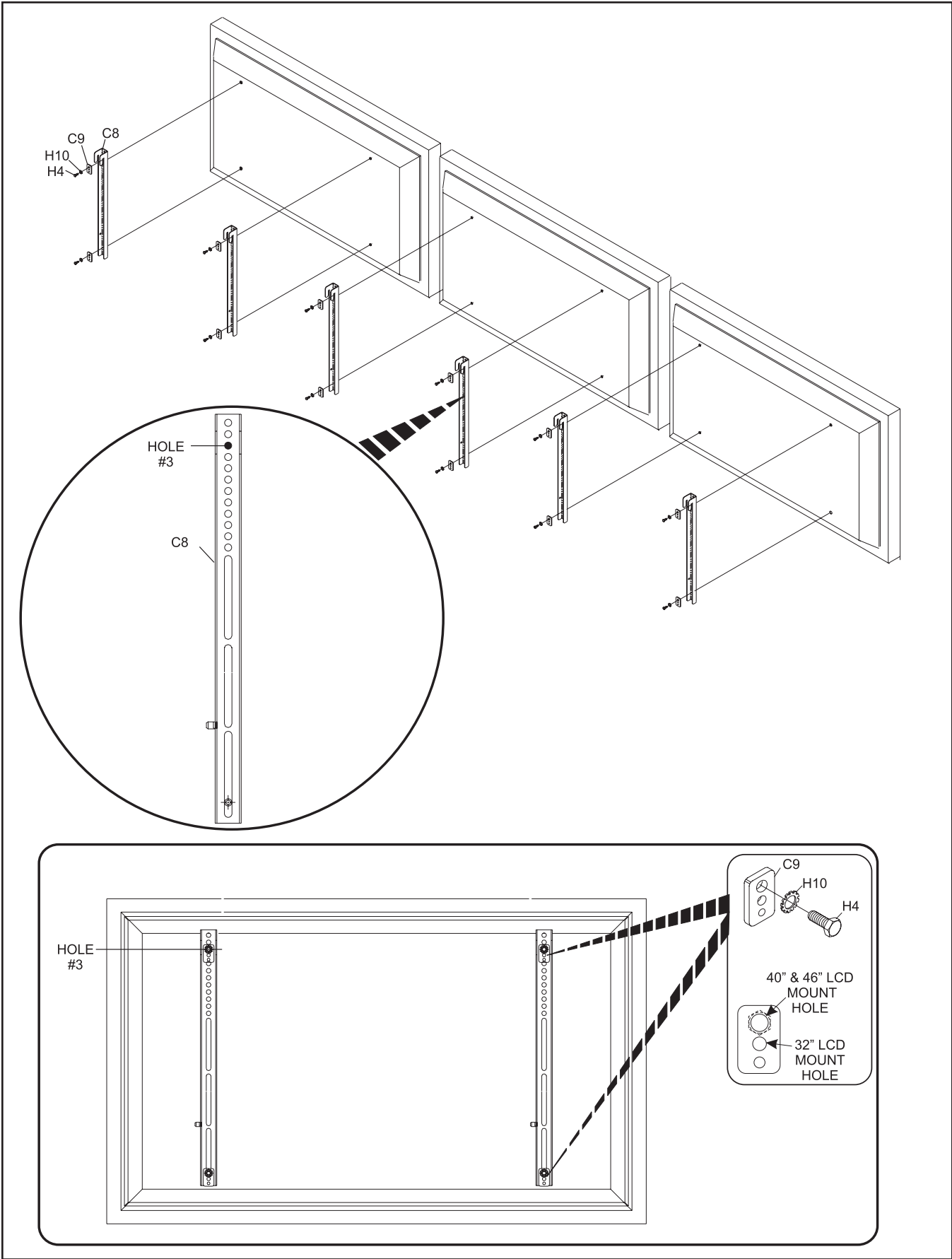
Step 4



Step 5

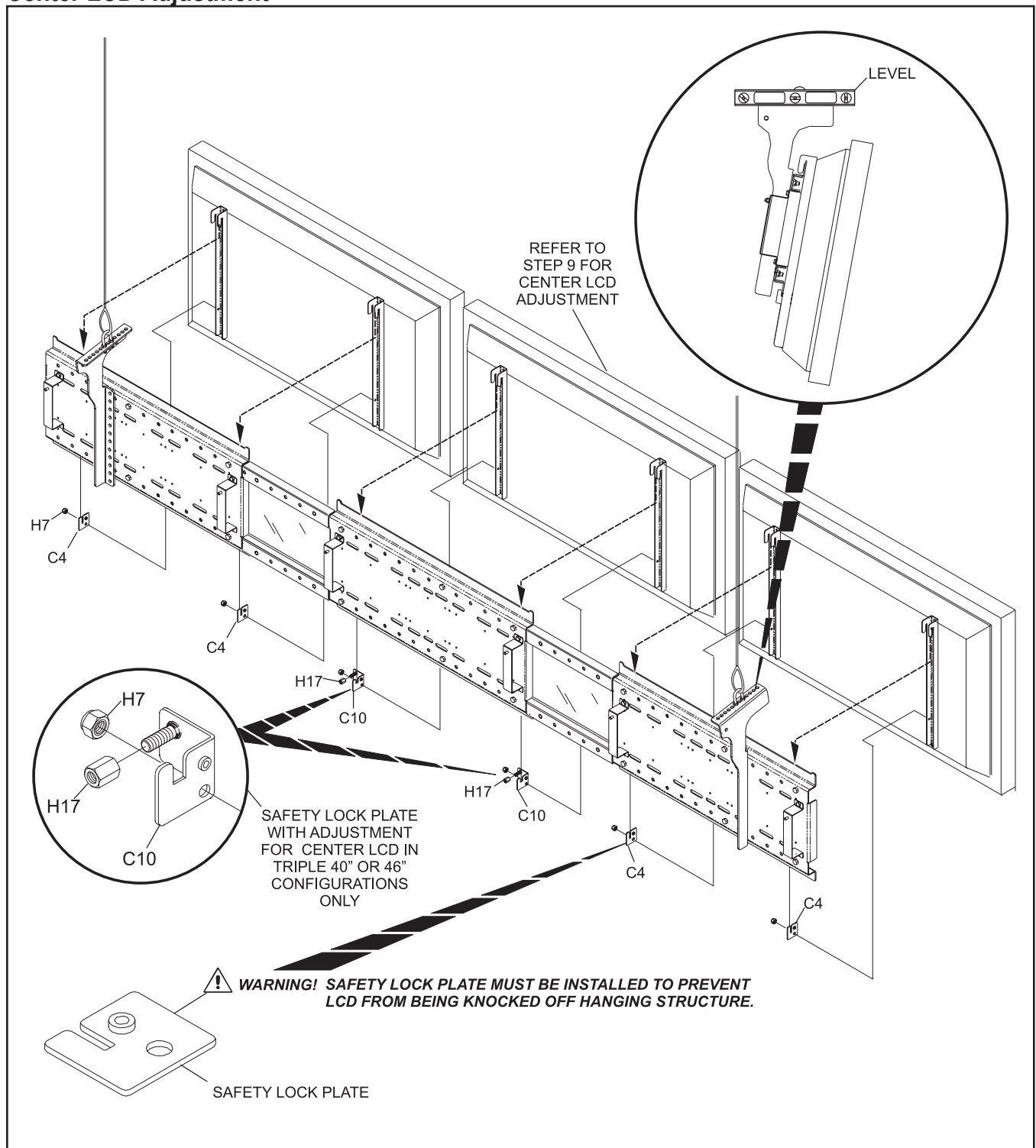


Step 6

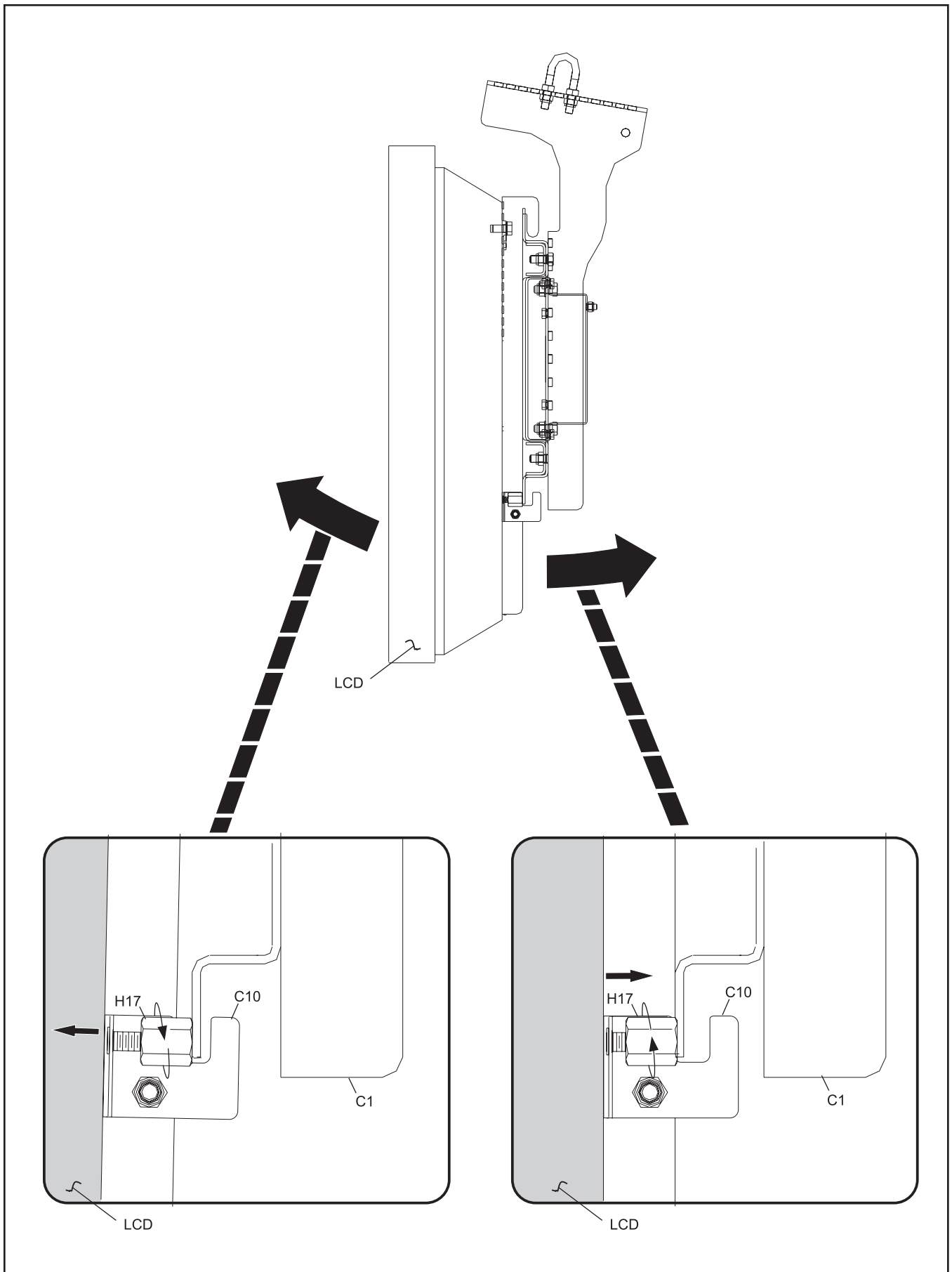


Step 7

Center LCD Adjustment



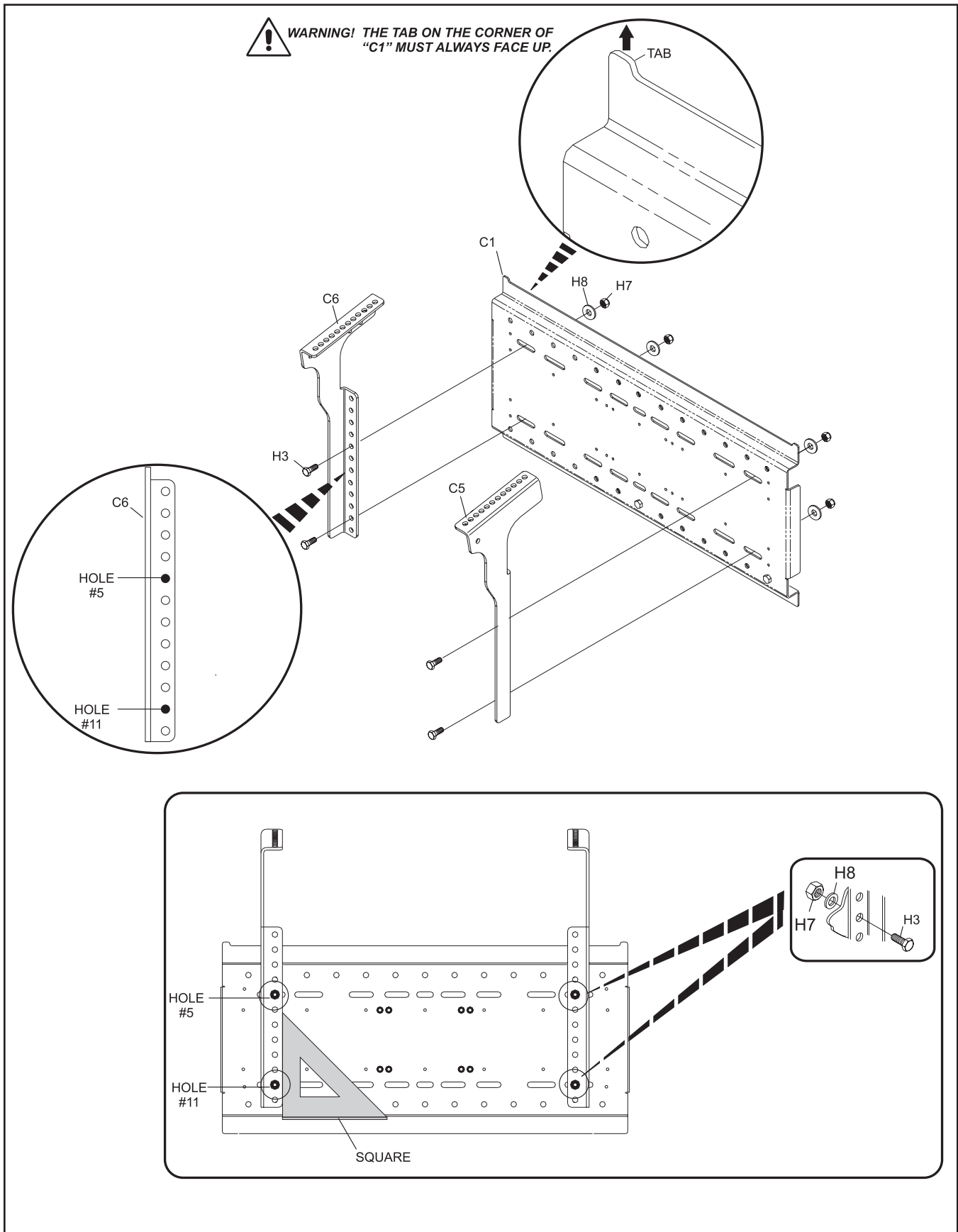
Step 8



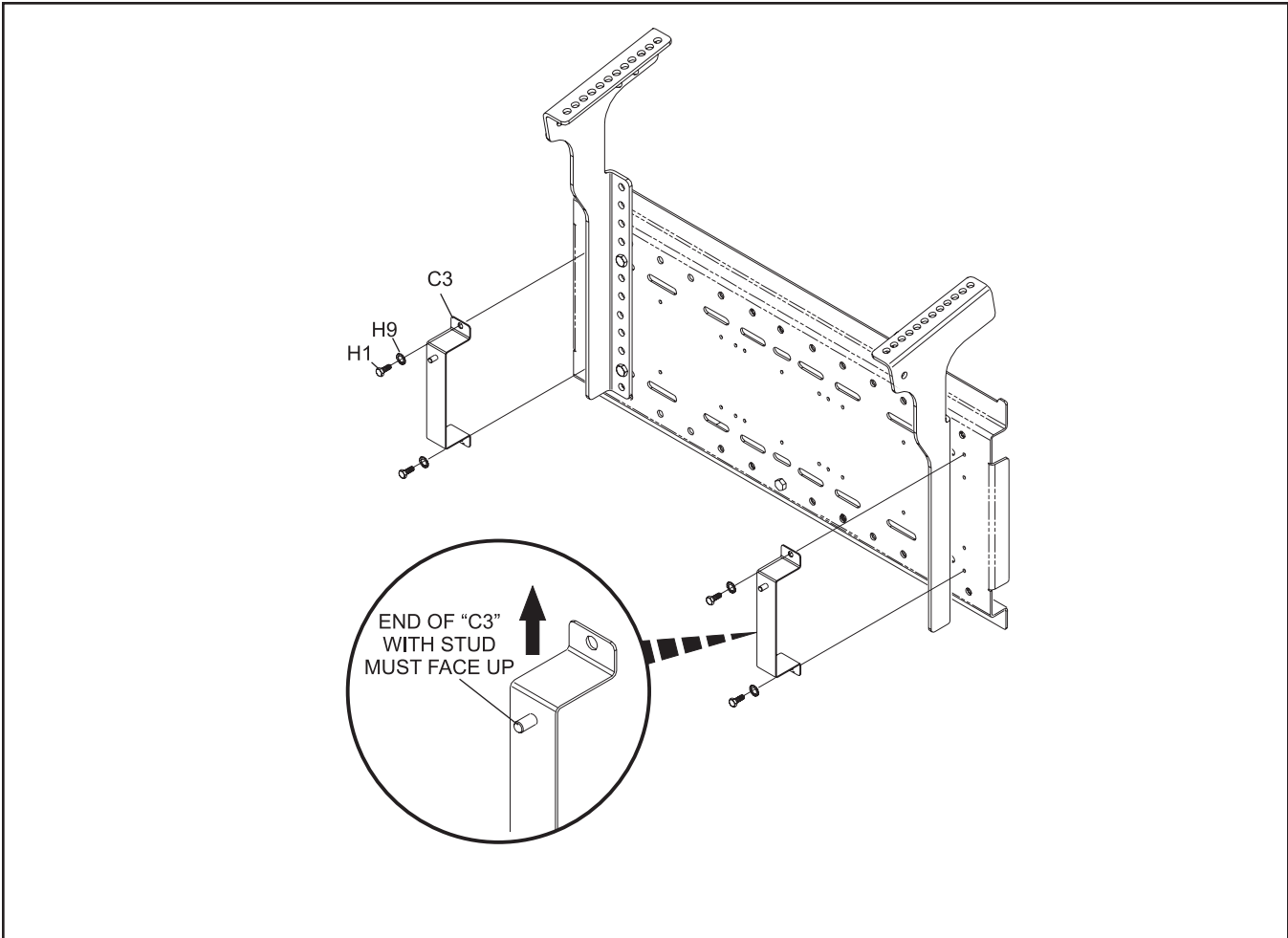
Step 9

Intentionally Blank Page

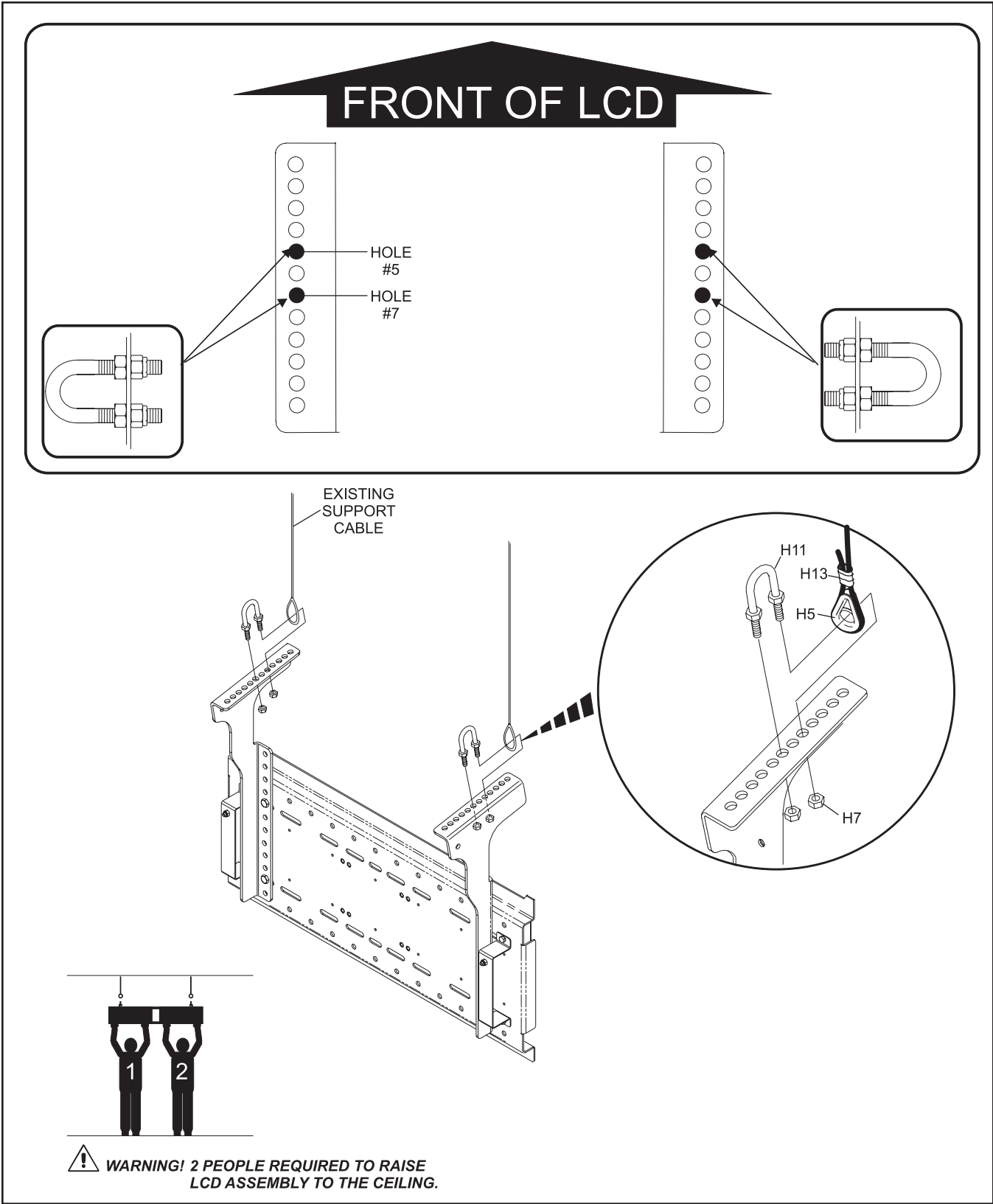
46" Single LCD Low Profile Support Structure Assembly



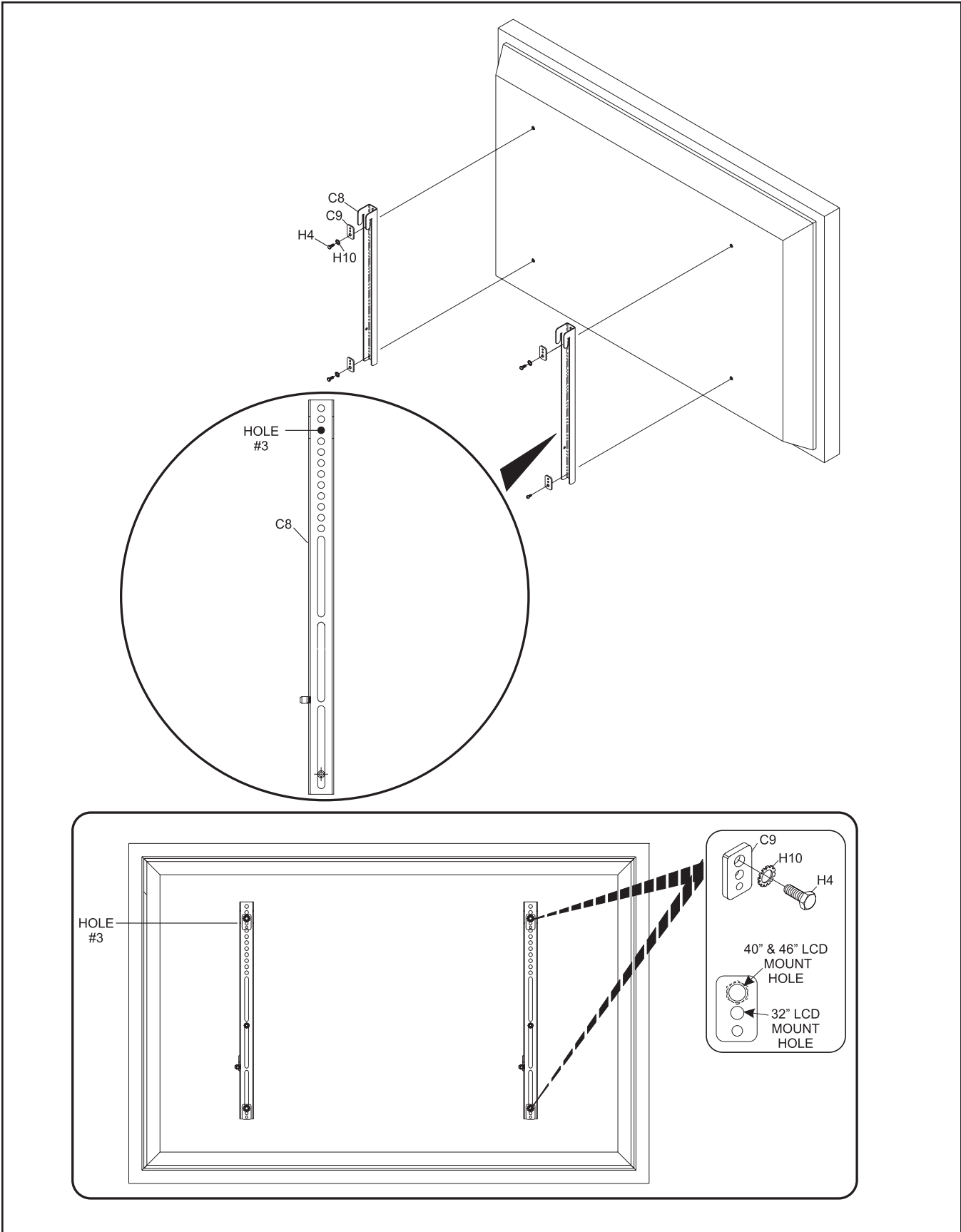
Step 1



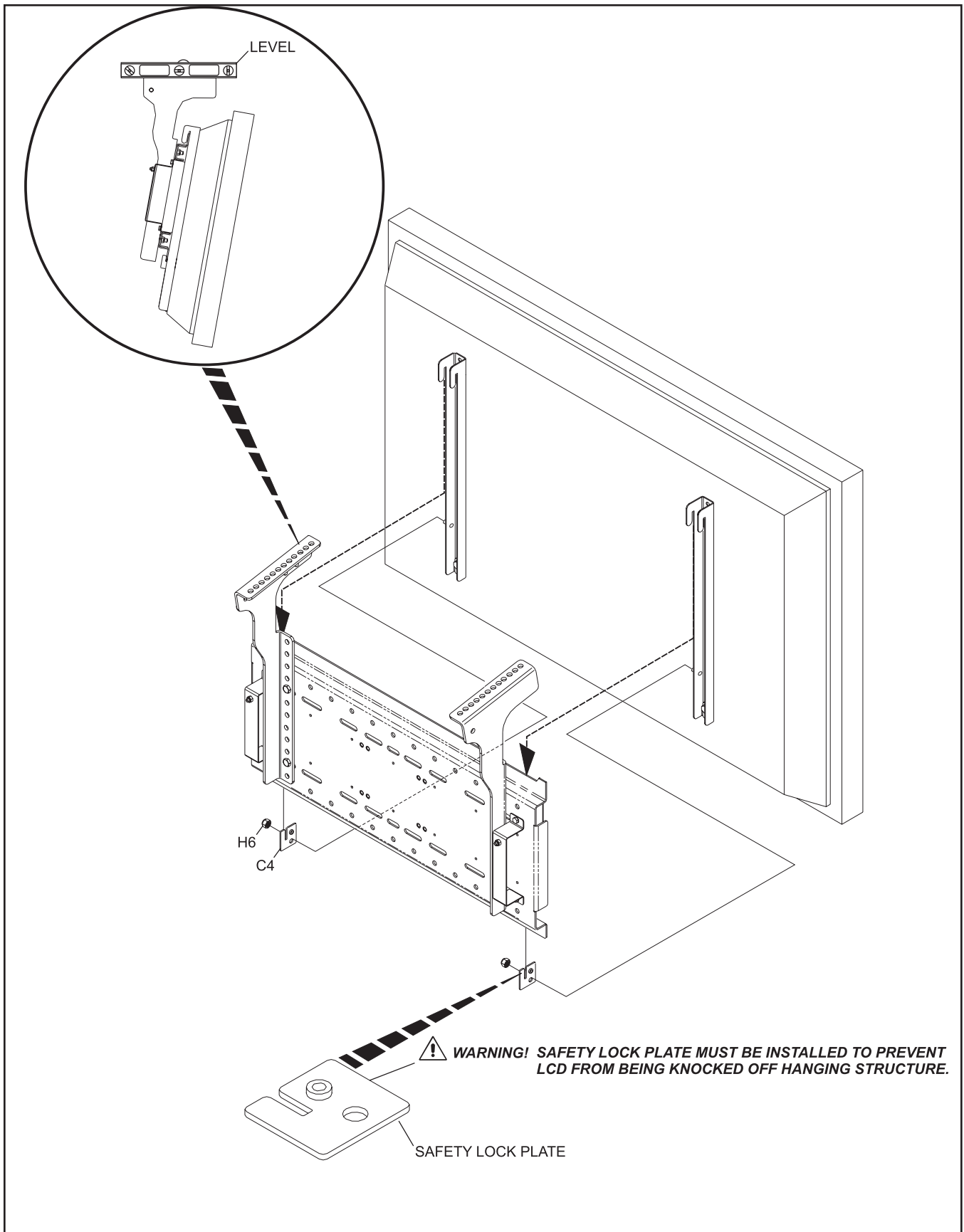
Step 2



Step 3



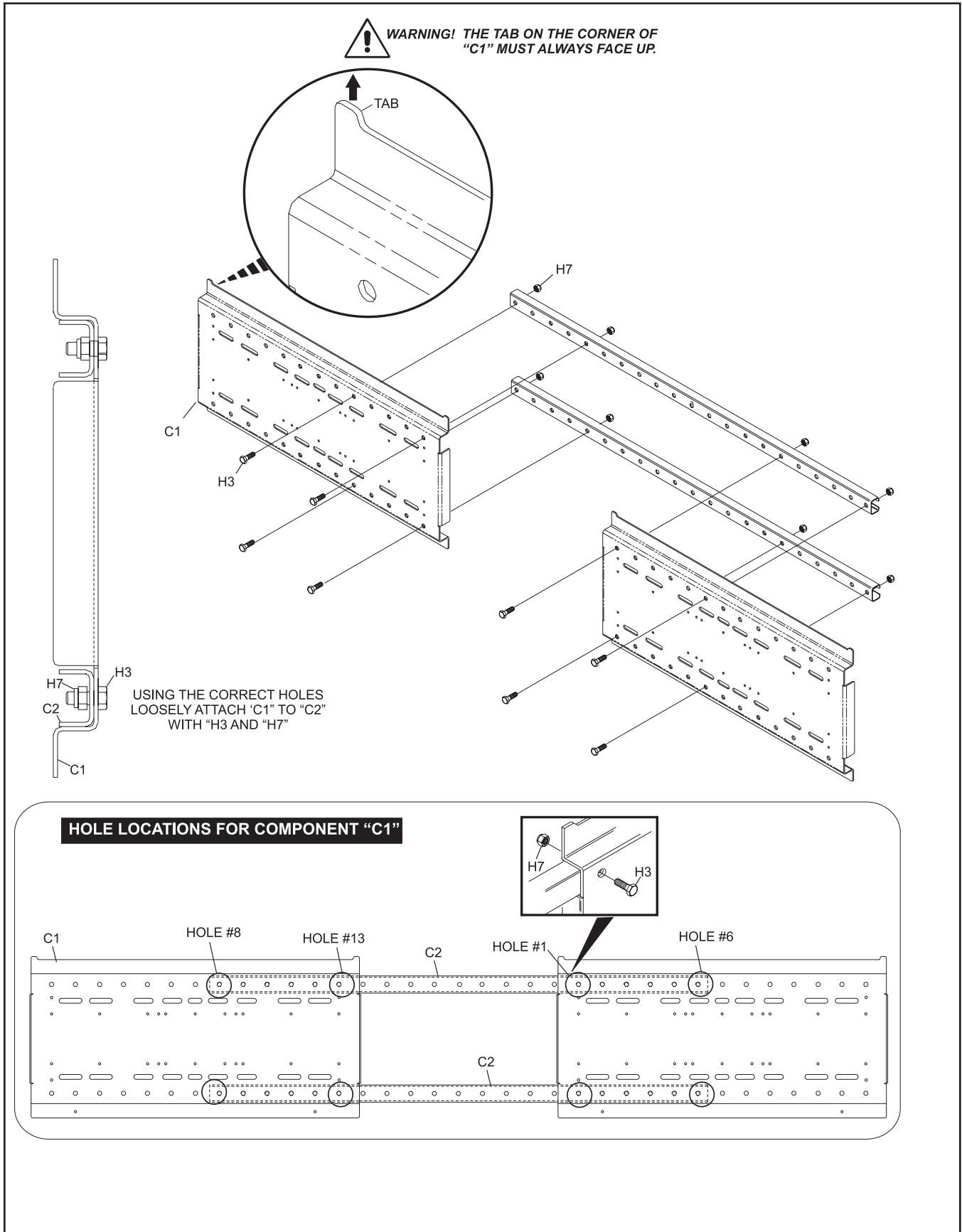
Step 4



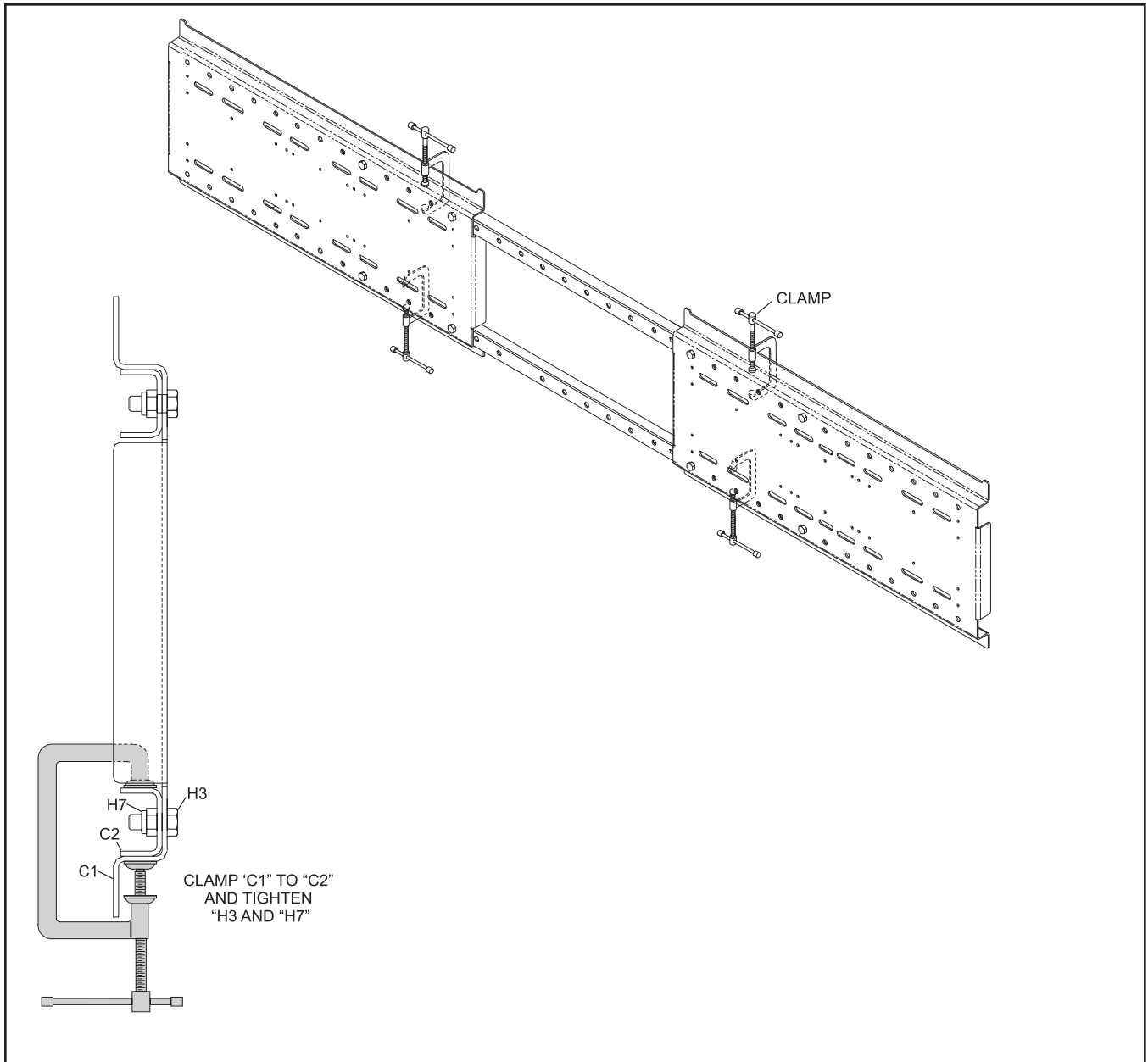
Step 5

Intentionally Blank Page

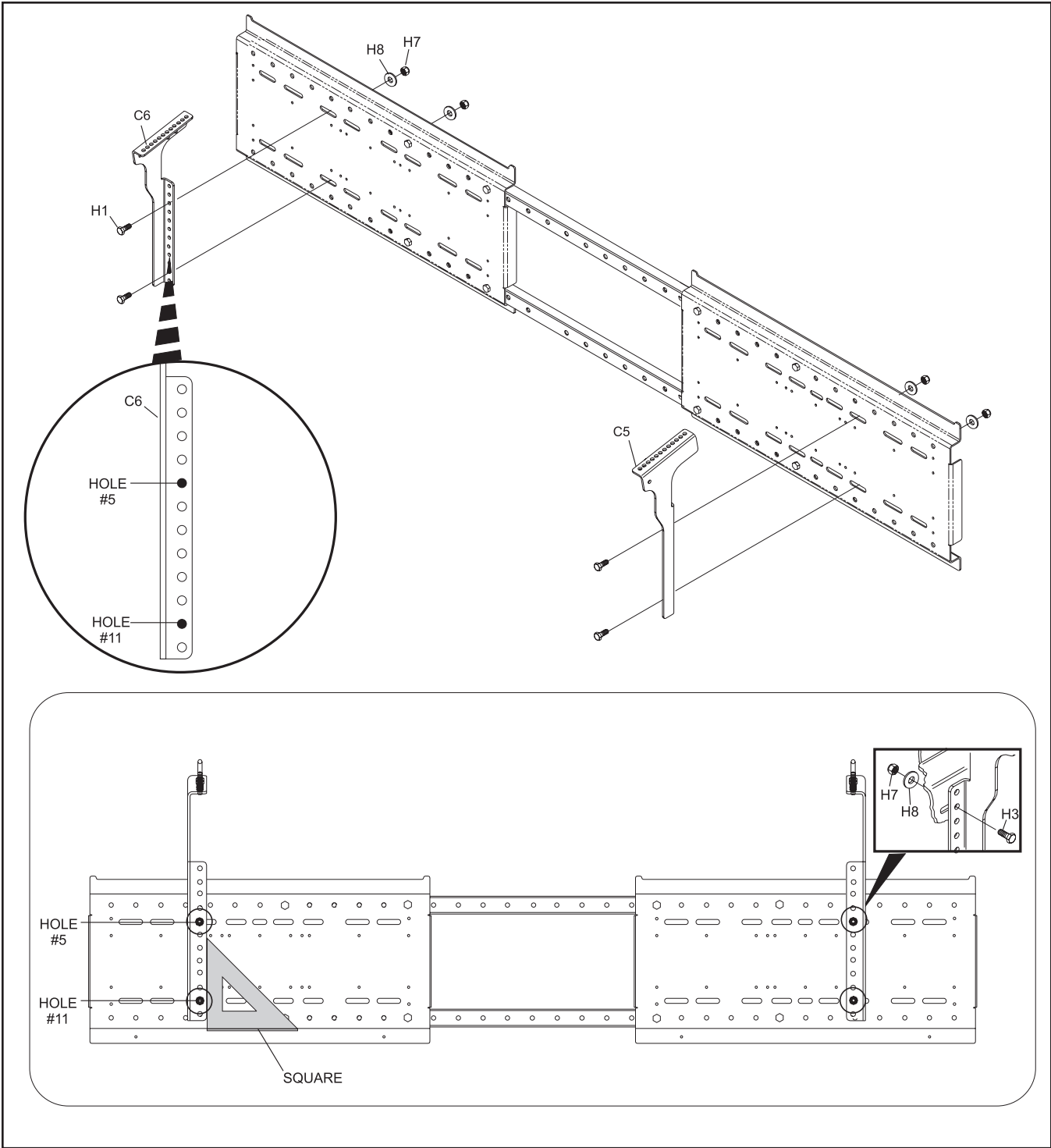
46" Double LCD Low Profile Support Structure Assembly



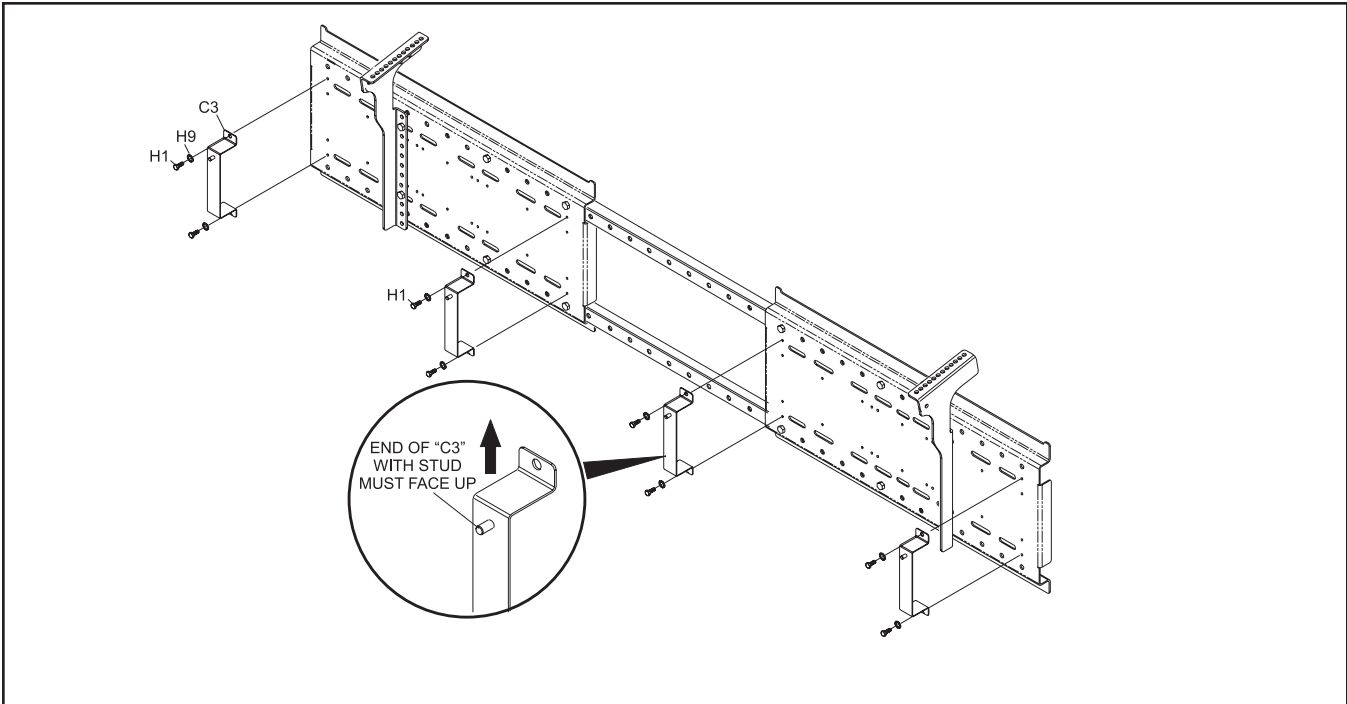
Step 1



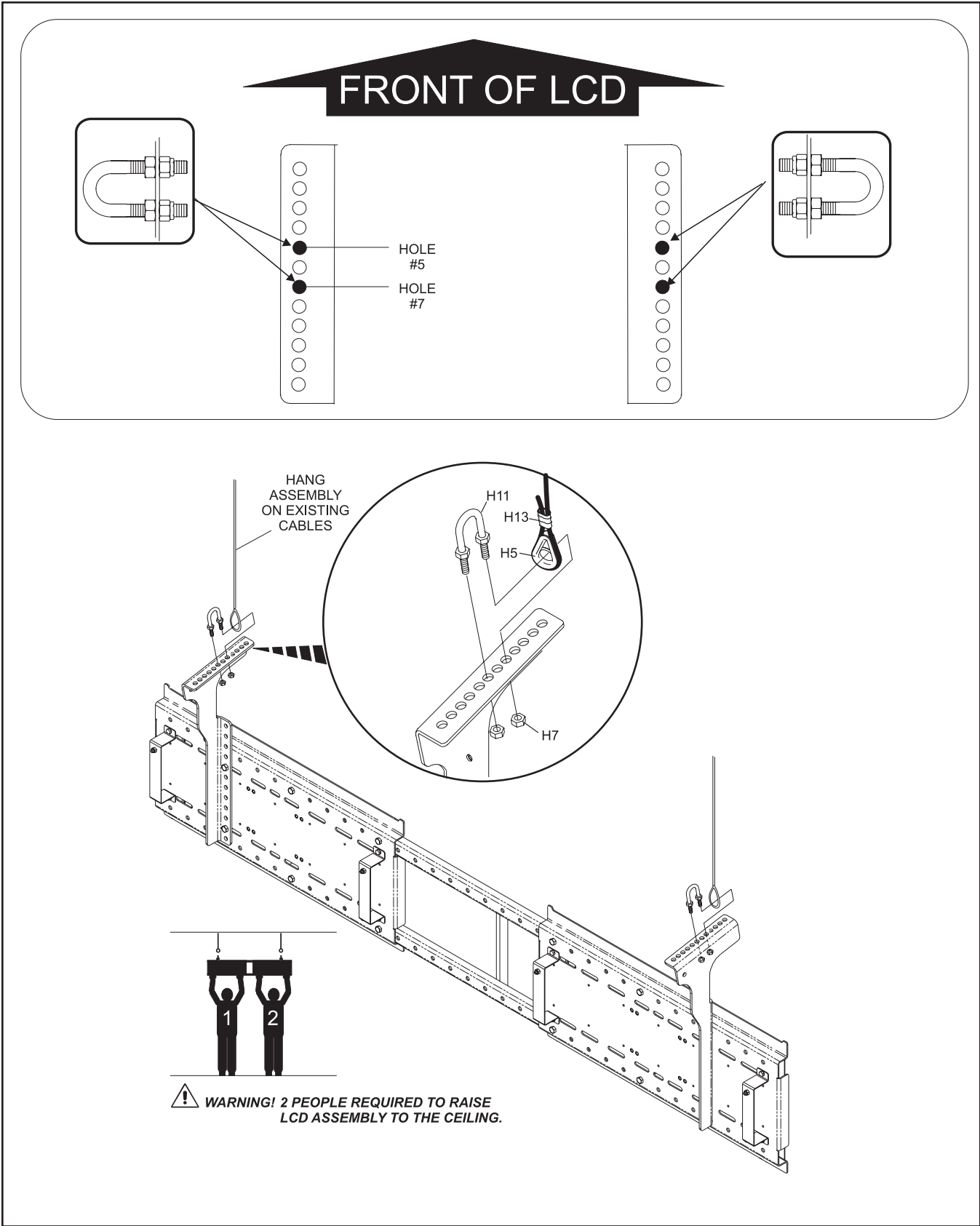
Step 2



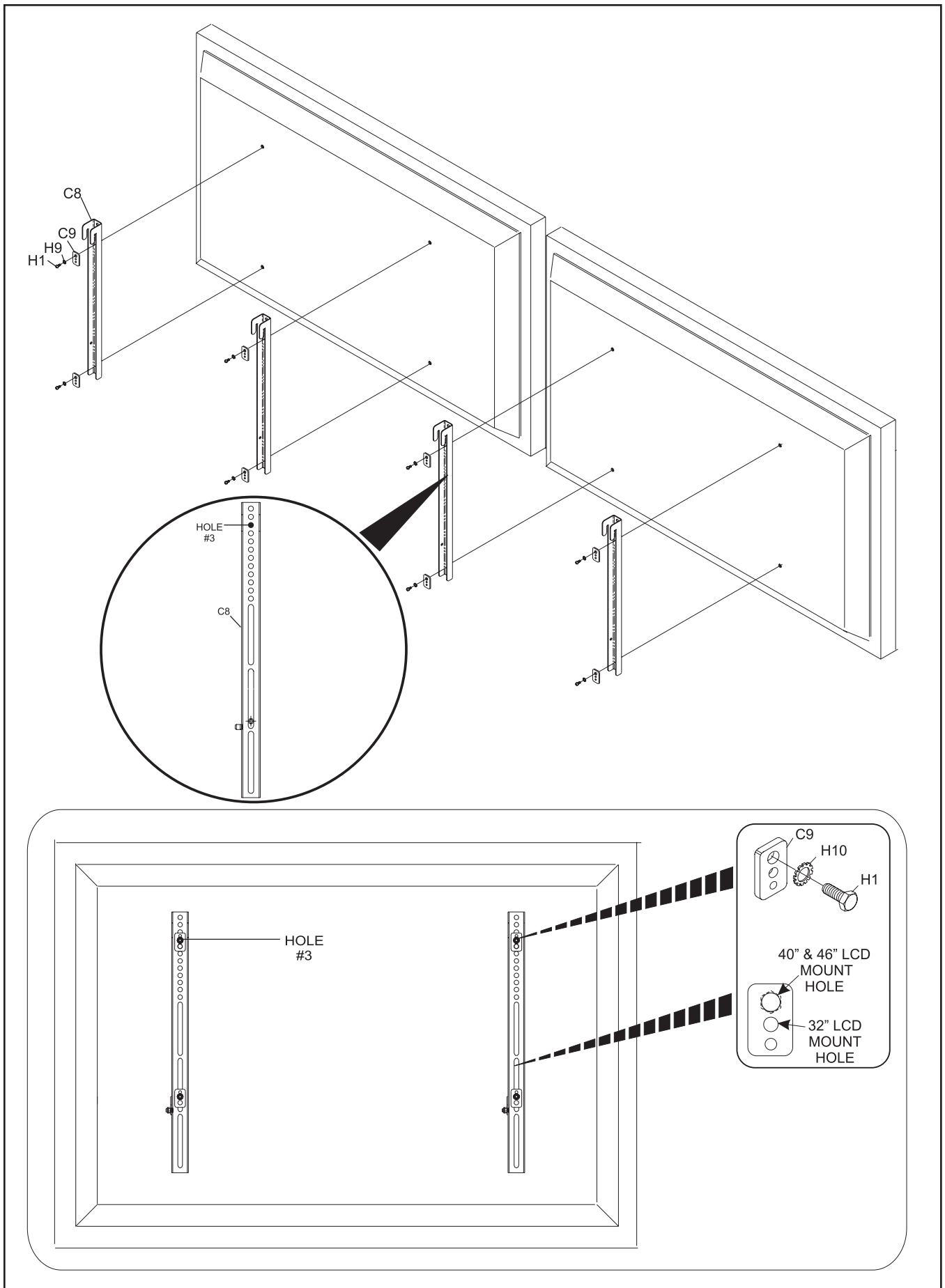
Step 3



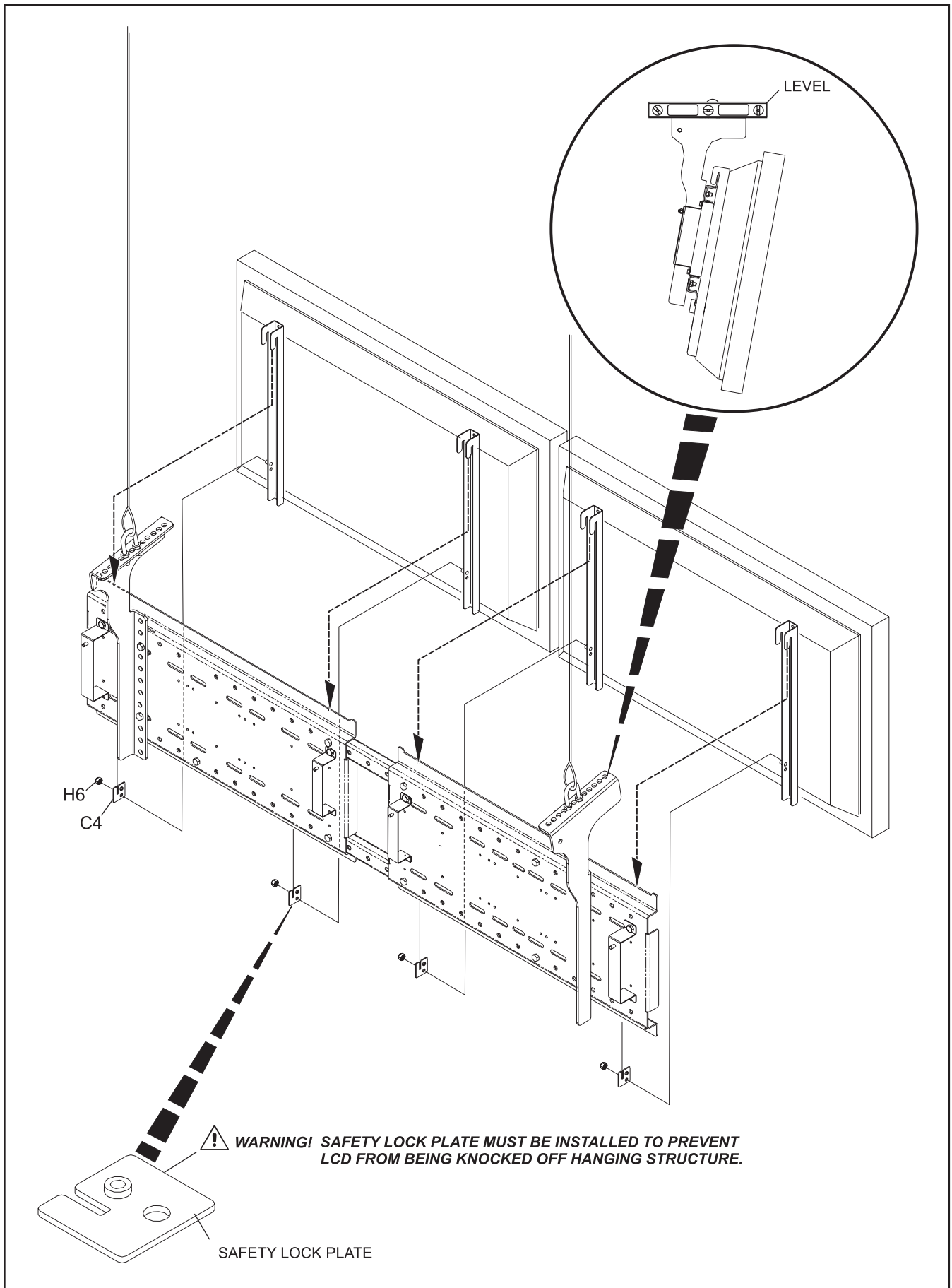
Step 4



Step 5



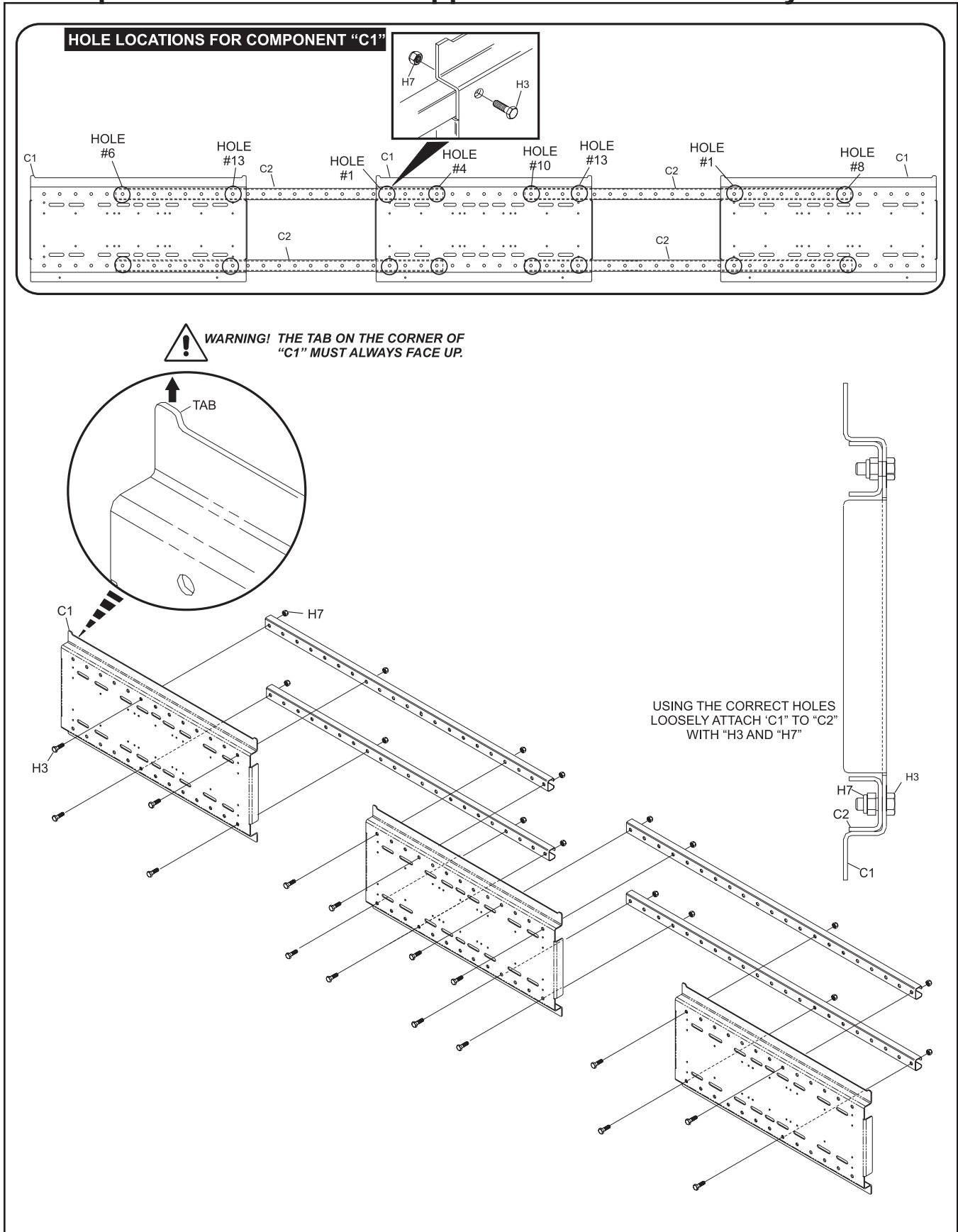
Step 6



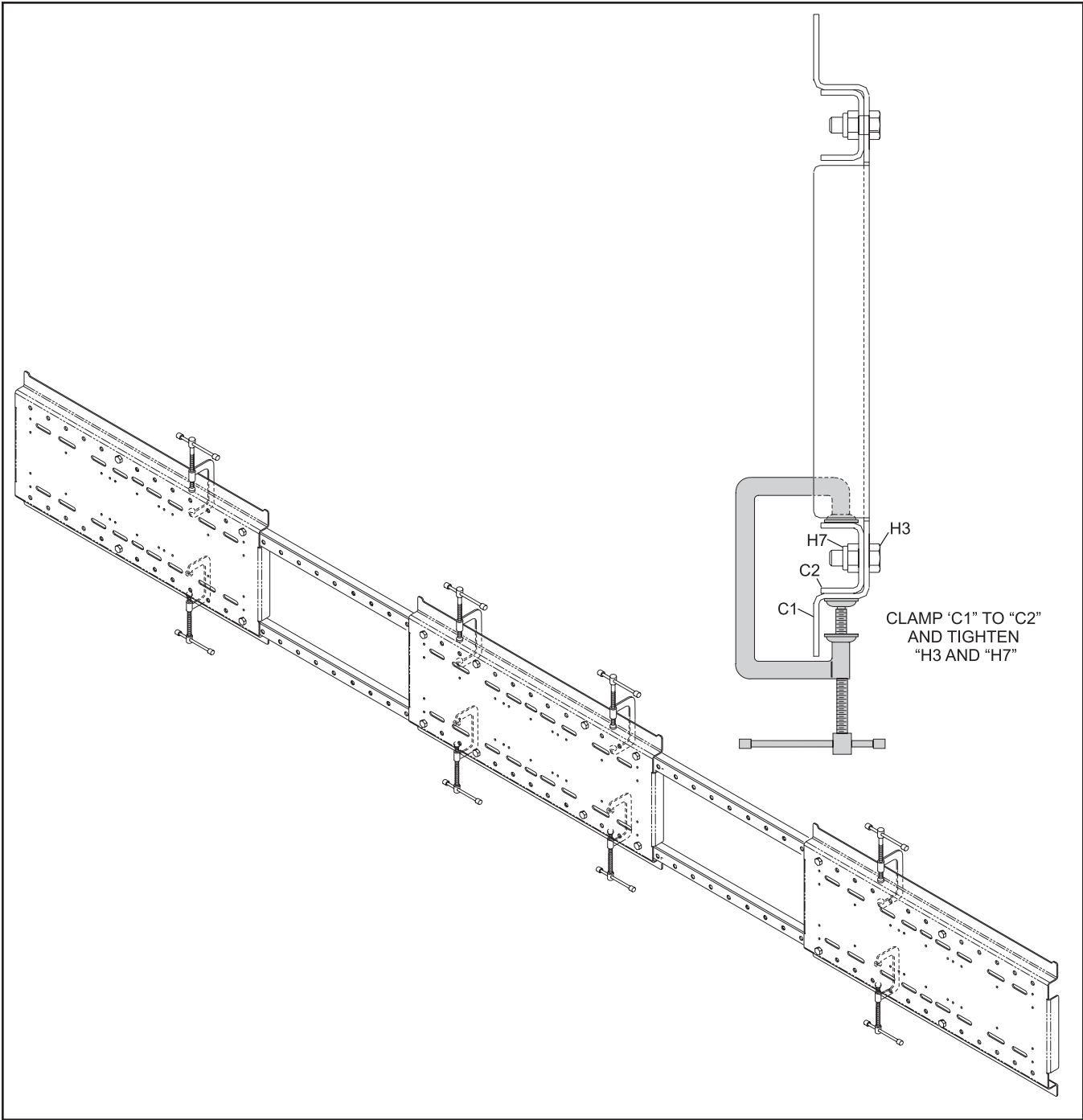
Step 7

Intentionally Blank Page

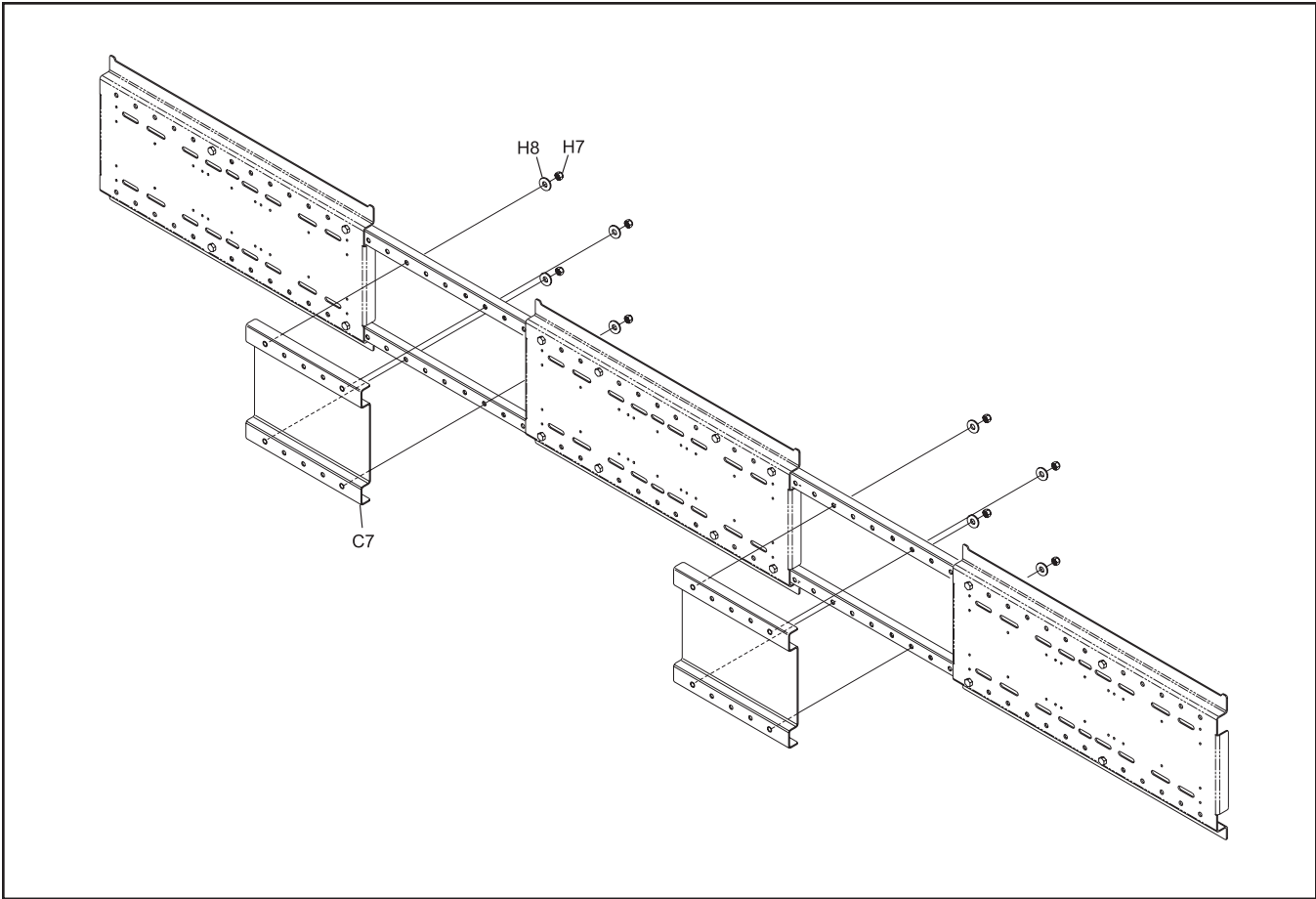
46" Triple LCD Low Profile Support Structure Assembly



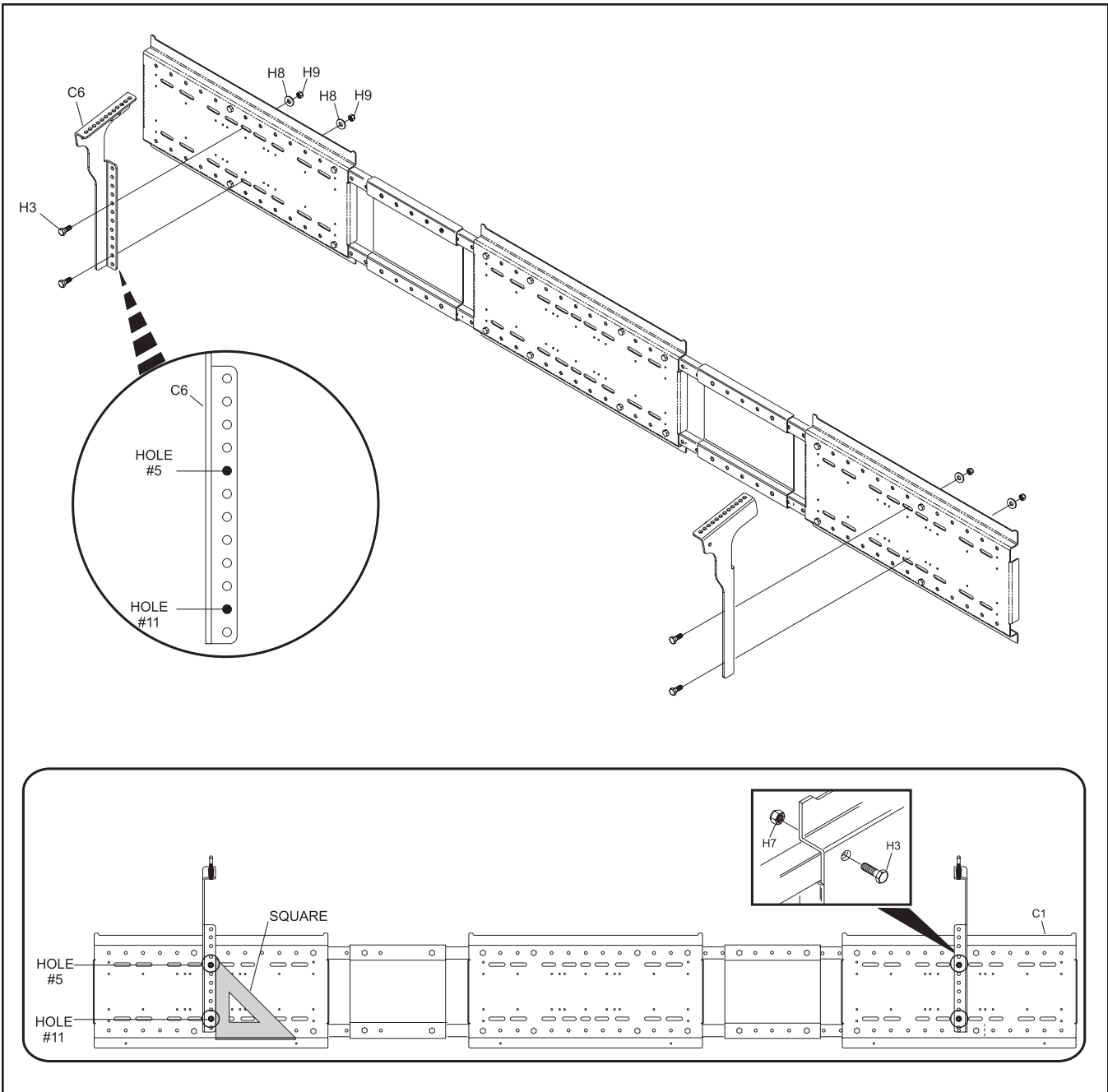
Step 1



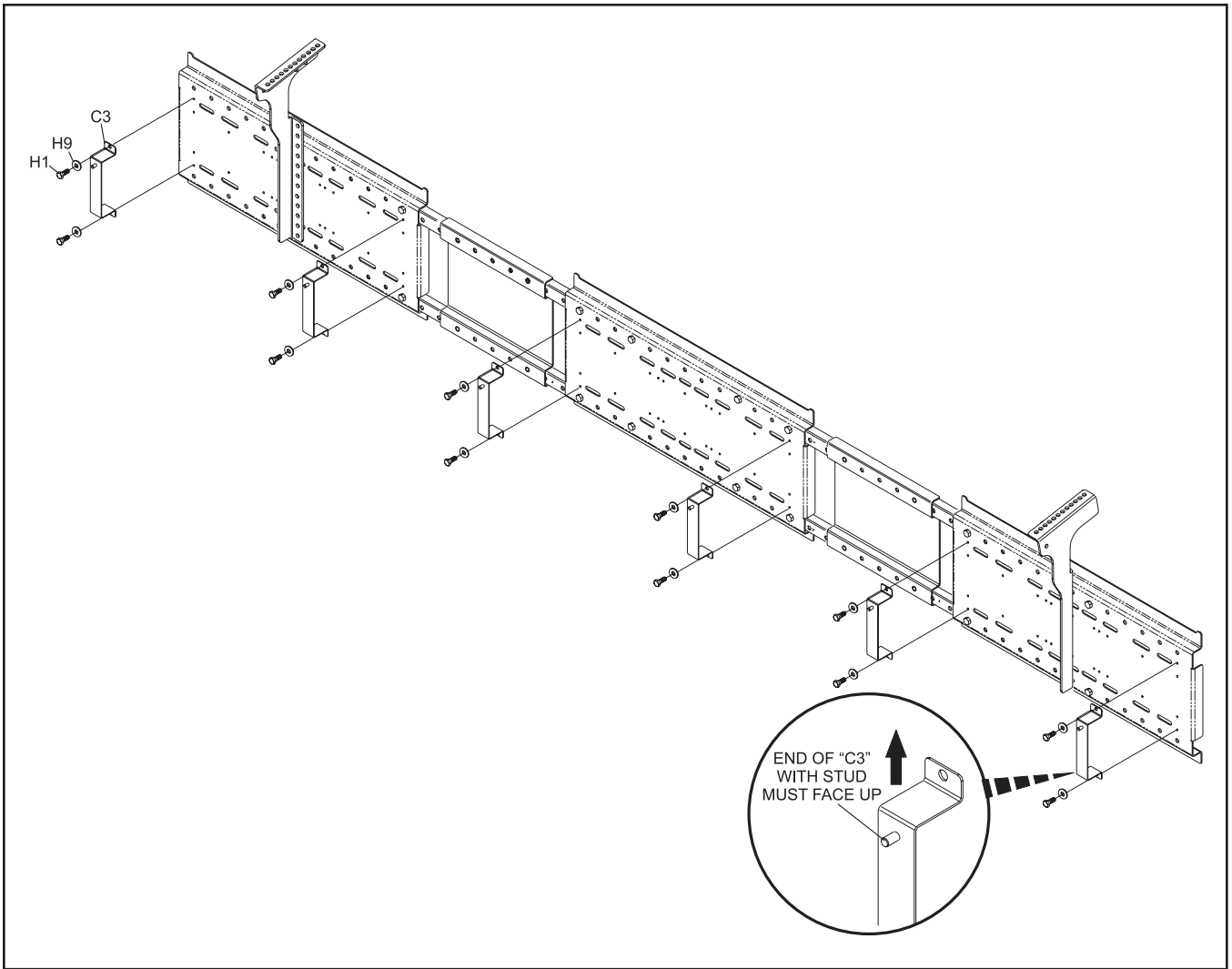
Step 2



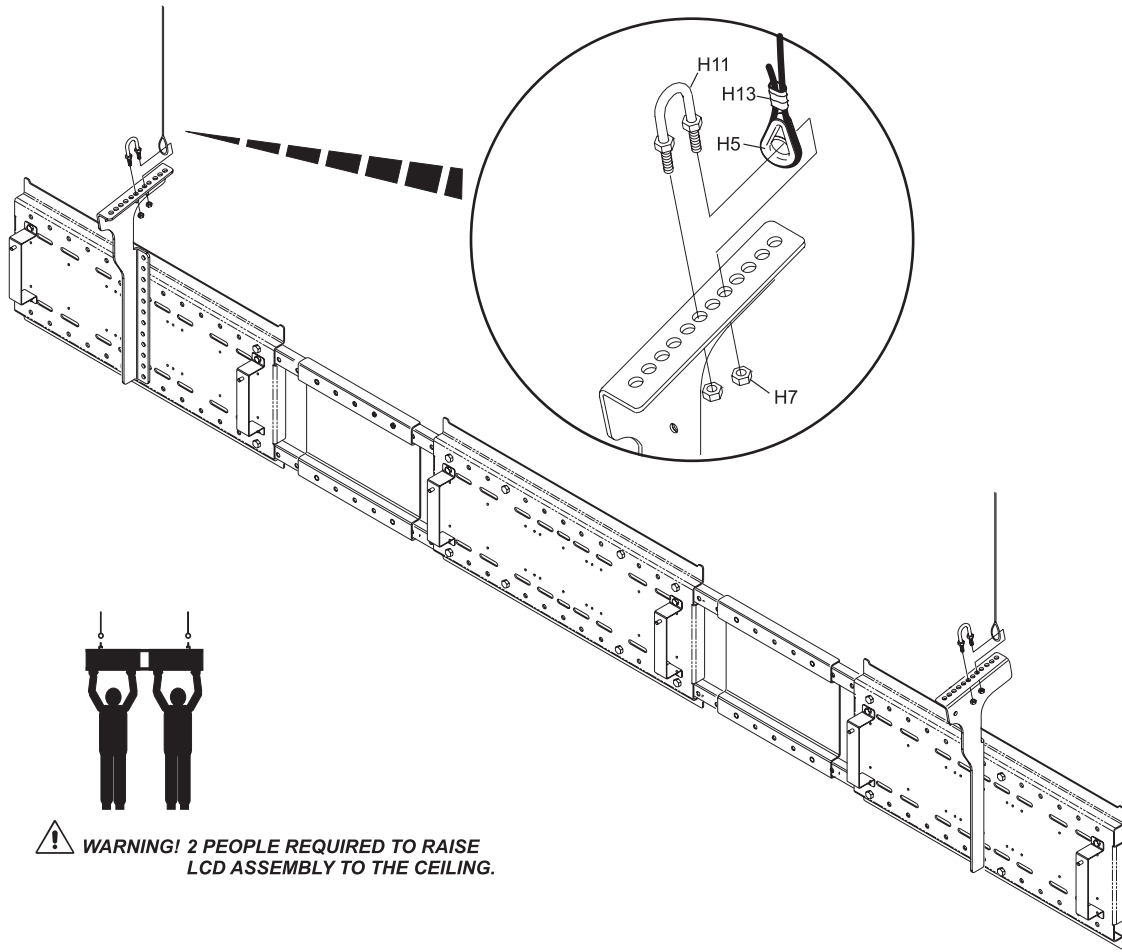
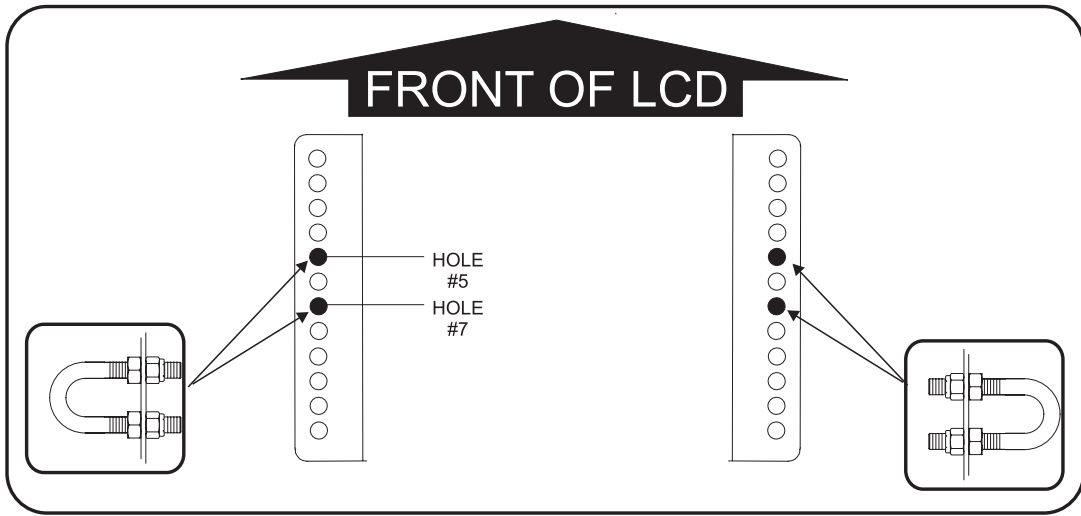
Step 3



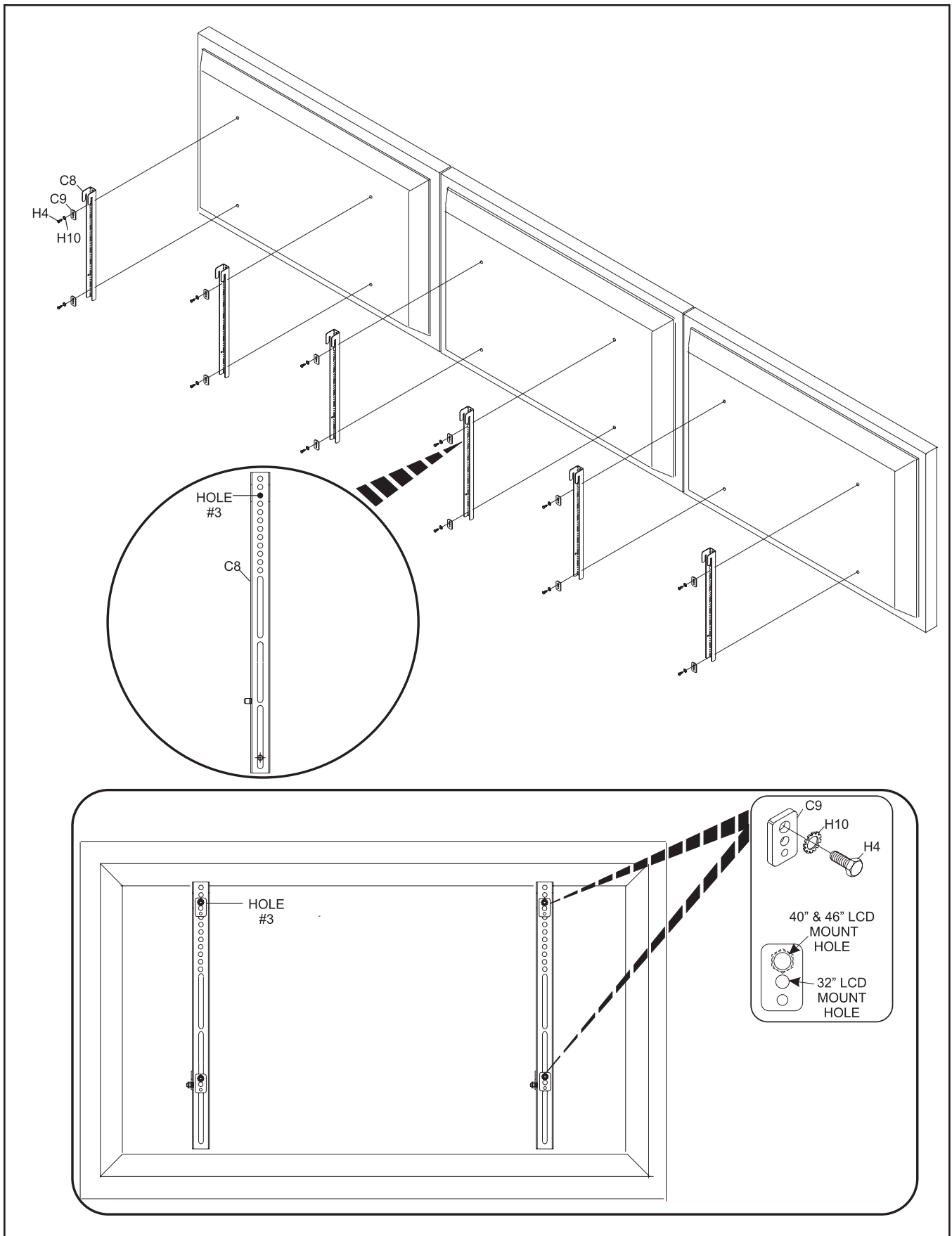
Step 4



Step 5

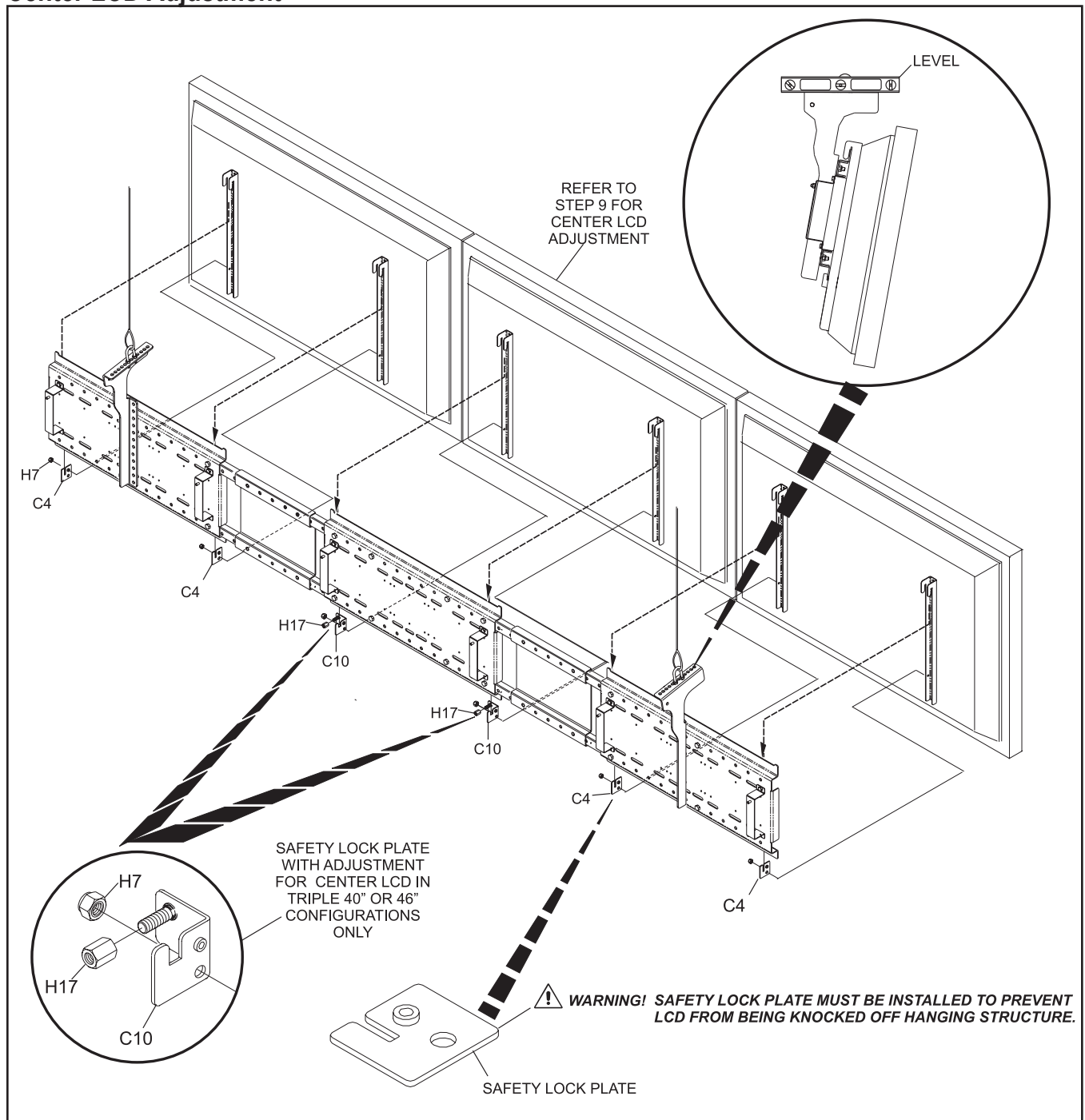


Step 6

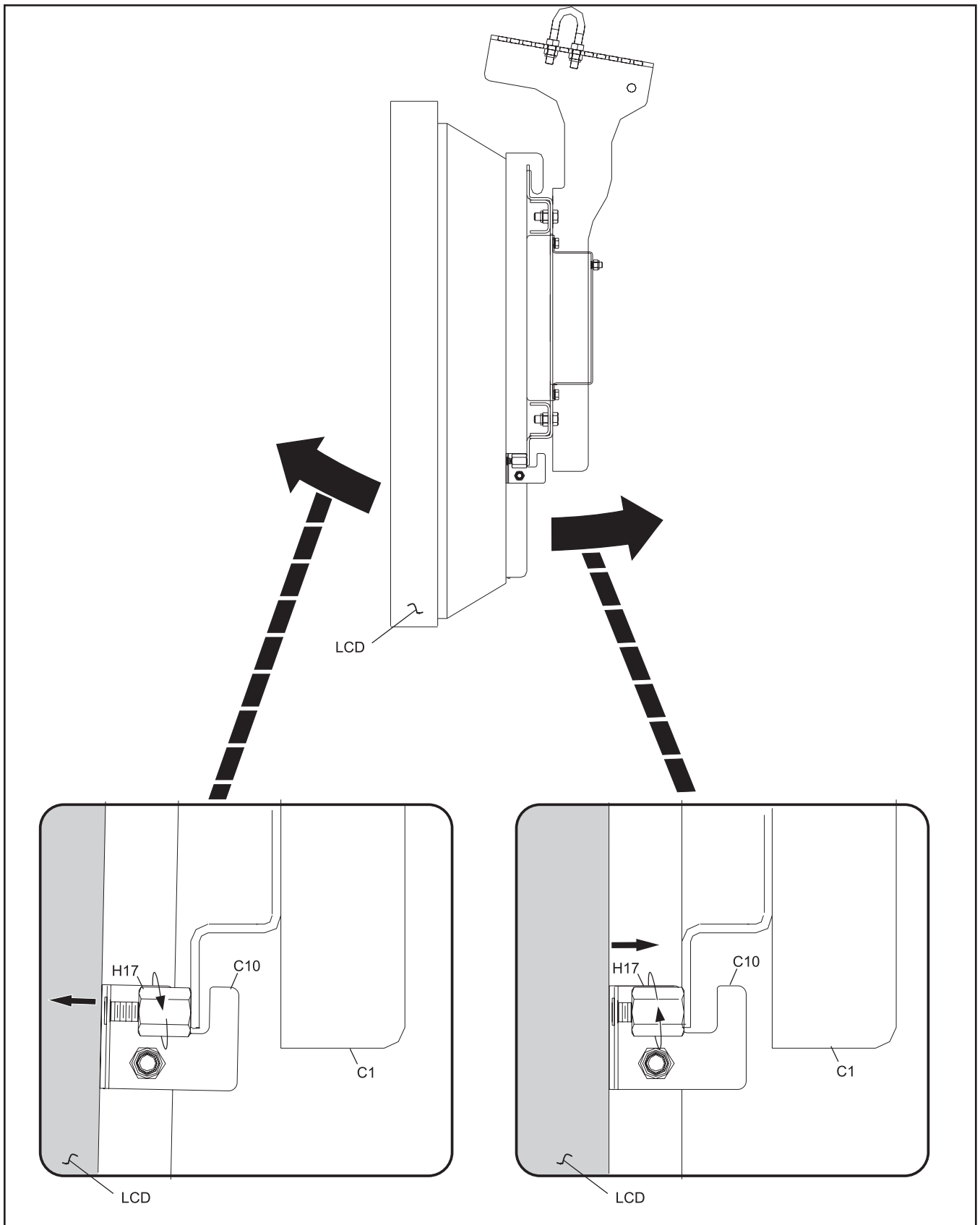


Step 7

Center LCD Adjustment



Step 8



Step 9

