

Installation Manual

Center Stage Furniture

April 2016/ 64-900001-000

Brunswick 

Center Stage Furniture Installation

© April 2016 by the Brunswick Bowling and Products. All rights reserved.

Reorder Part No. 64-900-001

Notice: If available, updates to this manual can be found on-line at www.brunswickbowling.com.

Confidential proprietary information. All information contained in this document is subject to change without notice.

Brunswick Bowling Products
525 West Laketon Avenue
Muskegon, MI 49441-2601
U.S.A.

231.725.3300

SAFETY!

NOTES & WARNINGS

Throughout this publication, “Warnings”, and “Cautions” (accompanied by one of the International HAZARD Symbols) are used to alert the mechanic to special instructions concerning a particular service or operation that may be hazardous if performed incorrectly or carelessly. They are defined below. OBSERVE AND READ THEM CAREFULLY!

These “Safety Alerts” alone cannot eliminate the hazards that they signal. Strict compliance to these special instructions when performing the service, plus training and “Common Sense” operation are major accident prevention measures.



NOTE or IMPORTANT! Will designate significant informational notes.



WARNING! Will designate a mechanical or nonelectrical alert which could potentially cause personal injury or death.



WARNING! Will designate electrical alerts which could potentially cause personal injury or death.



CAUTION! Will designate an alert which could potentially cause product damage.



Will designate grounding alerts.

SAFETY NOTICE TO USERS OF THIS MANUAL

This manual has been written and published by the Service Department of Brunswick Bowling and Billiards to aid the reader when servicing or installing the products described.

It is assumed that these personnel are familiar with, and have been trained in, the servicing or installation procedures of these products, which includes the use of common mechanic's hand tools and any special Brunswick or recommended tools from other suppliers.

We could not possibly know of and advise the reader of all conceivable procedures by which a service might be performed and of the possible hazards and/or results of each method. We have not attempted any such wide evaluation. Therefore, anyone who uses a service procedure and/or tool, which is not recommended by Brunswick, must first completely satisfy himself that neither his nor the product's safety will be endangered by the service procedure selected.

All information, illustrations and specifications contained in this manual are based on the latest product information available at the time of publication.

It should be kept in mind, while working on the product, that the electrical system is capable of violent and damaging short circuits or severe electrical shocks. When performing any work where electrical terminals could possibly be grounded or touched by the mechanic, the power to the product should be disconnected prior to servicing and remain disconnected until servicing is complete.

CONTENTS

SAFETY!	3
Notes & Warnings.....	3
Safety Notice to Users of this Manual.....	4
Waiver Form	7
Tools and Specifications	9
Required Tools.....	9
Torque Specifications	9
Assembly Instructions	11
Coffee Table Assembly.....	11
Optional - Electrical Outlet	11
Upholstered Furniture - Ganging Brackets.....	12
Attached Modwall Assembly.....	13
End Lane (Right or Left)	13
Lane Pair.....	20
Adjusting Leveling Feet	27
Securing Furniture to Floor	29
Standard Layouts	31
9' Bowlers Area	31
9' Configuration A	31
9' Configuration B	32
9' Configuration C	33
9' Configuration D.....	34
9' Configuration E	35
9' Configuration F	36
12' Bowlers Area	37
12' Configuration A.....	37
12' Configuration B.....	38
12' Configuration C.....	39
12' Configuration D.....	40
12' Configuration E.....	41
12' Configuration F	42
12' Configuration G.....	43
15' Bowler's Area	44
15' Configuration A.....	44
15' Configuration B.....	45
15' Configuration D.....	47
15' Configuration E.....	48
15' Configuration F	49
15' Configuration G.....	50

Color Charts	51
Wood Colors	51
Cloth Colors.....	51

Waiver Form



525 West Laketon Avenue Telephone 231-725-3300
Muskegon, MI 49441

Brunswick equipment is designed to deliver years of safe and reliable service when properly installed and used as intended. The safety and performance of your equipment, however, is dependant upon proper installation, maintenance, and use. Brunswick certified installers are required to follow the proper installation procedures found in the Brunswick Installation and Service Manuals. It is very important that all operators understand Brunswick guidelines for installation, maintenance, and product use. These guidelines can be found in the Service and Installation manuals specific to each installed product.

Failure to comply with these guidelines can reduce the useful life of your equipment; void your warranty, or cause injury or death to your employees or customers. Brunswick places great importance on safety. We therefore request that you acknowledge that you have reviewed the Service or Installation manuals for proper installation, maintenance, and use of your equipment.

- I have reviewed and acknowledge all guidelines in the Brunswick Installation or Service manuals, and I agree to maintain and service these products in accordance with these manuals.

- I have reviewed the guidelines and have voluntarily chosen to deviate from them in one or more of the following ways:
 - The equipment has been modified.
 - Product has not been installed by a Brunswick authorized installer.
 - Electrical specifications were not followed. (as described in pre-installation manual)
 - Pinsetter guards have been removed.
 - Furniture has not been attached to the floor. (as described in Installation and Service manuals)
 - Other

I agree to assume the risk of any product damage and injury or harm to any person arising out of my decision to deviate from Brunswick's recommended installation and maintenance procedures.

(Bowling Center name)

Location)

(Authorized Bowling Center Representative – printed name)

(Date)

(Authorized Bowling Center Representative - signature)

(Date)

(Authorized Brunswick Representative – printed)

(Date)

(Authorized Brunswick Representative - signature)

(Date)

Tools and Specifications

REQUIRED TOOLS

Qty.	Tool
2	Allen Tool - 5/32"
2	Allen Tool - 1/4"
2	Allen Tool - 5/16"
2	Allen Tool - 3/8"
2	#2 Robertson Bit (11-700077-000)

TORQUE SPECIFICATIONS

1/4" Screws = **T60**, 60 in/lbs (7 nm)
5/16" Screws = **T130**, 130 in/lbs (15 nm)
3/8" Screws = **T25**, 25 ft/lbs (34 nm)

Intentionally Blank Page

Assembly Instructions

COFFEE TABLE ASSEMBLY

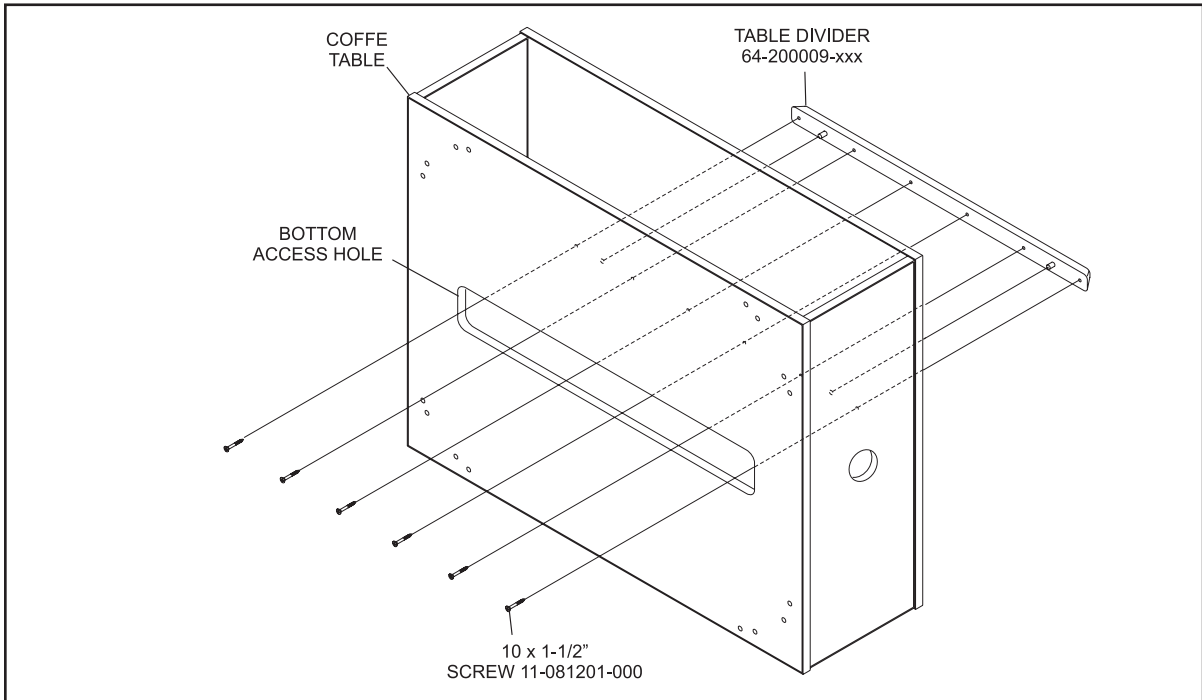


Figure 1

Optional - Electrical Outlet

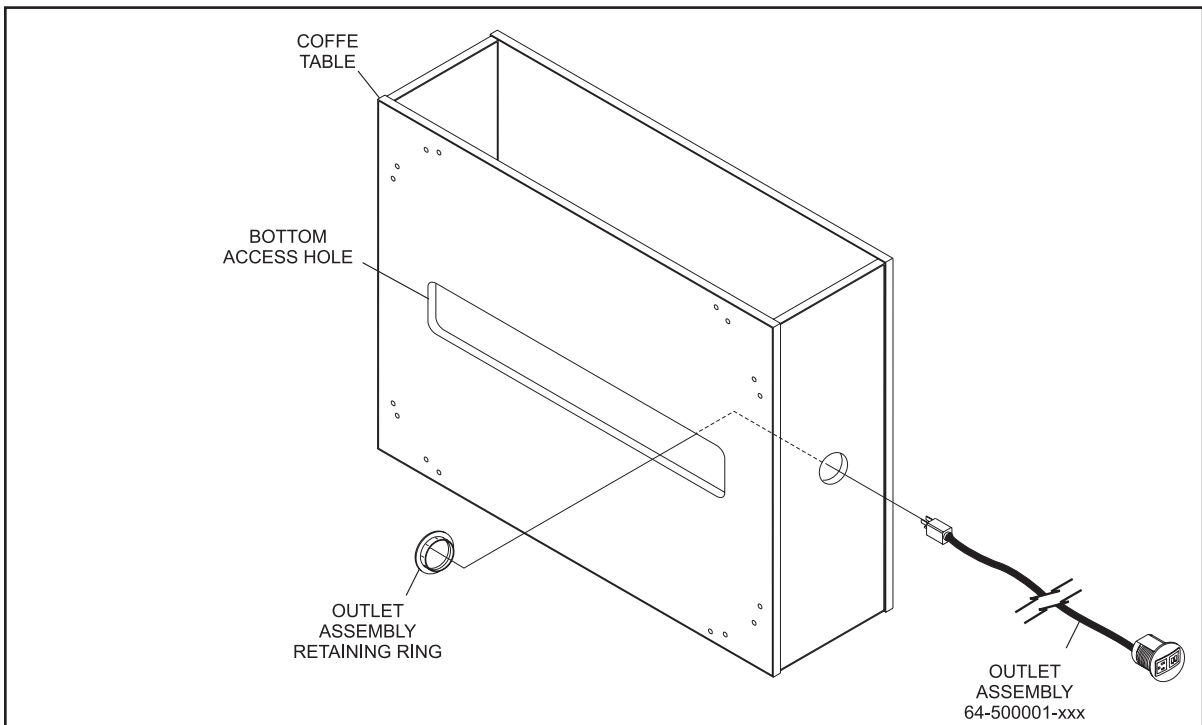


Figure 2

UPHOLSTERED FURNITURE - GANGING BRACKETS

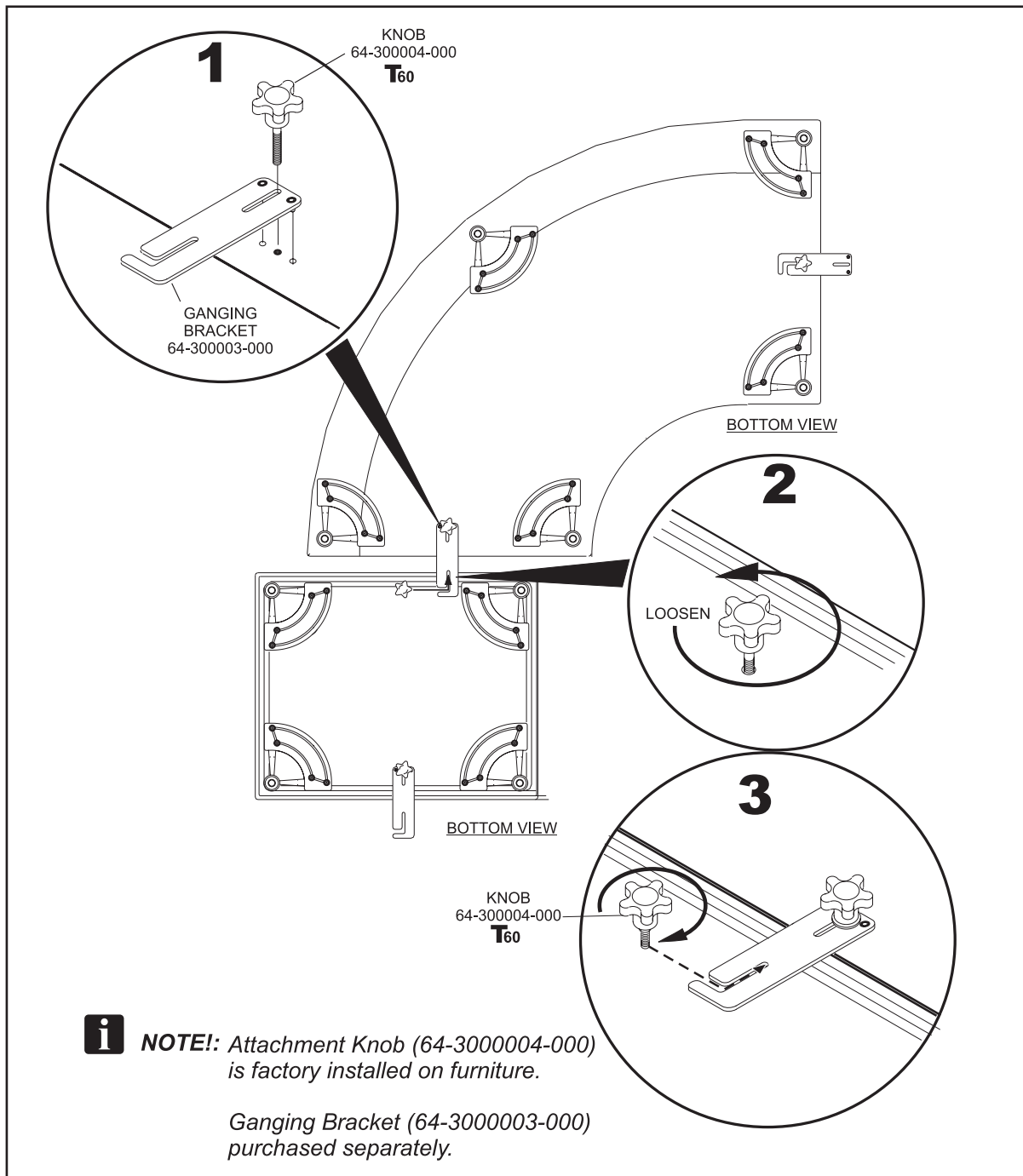


Figure 3

ATTACHED MODWALL ASSEMBLY

End Lane (Right or Left)

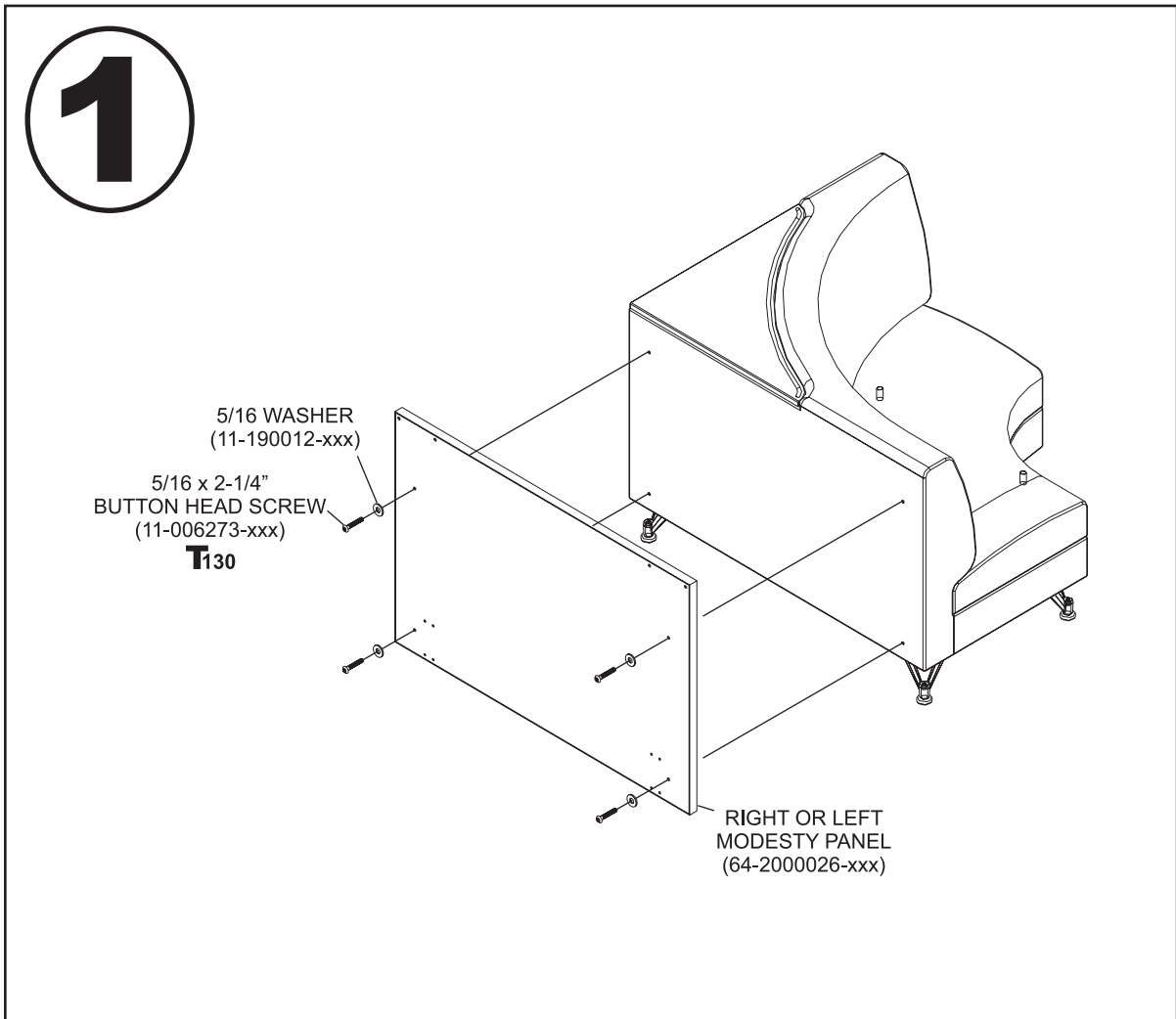


Figure 4

2

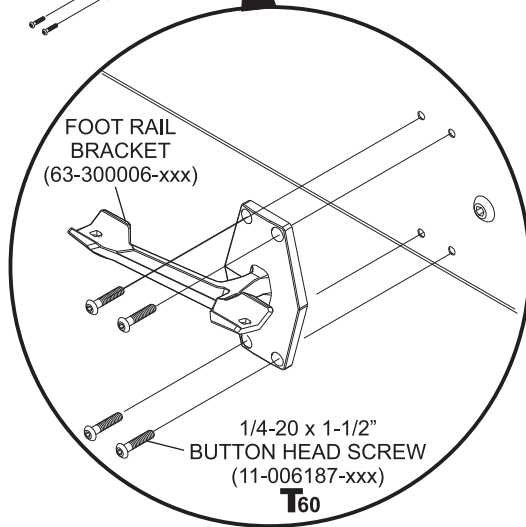
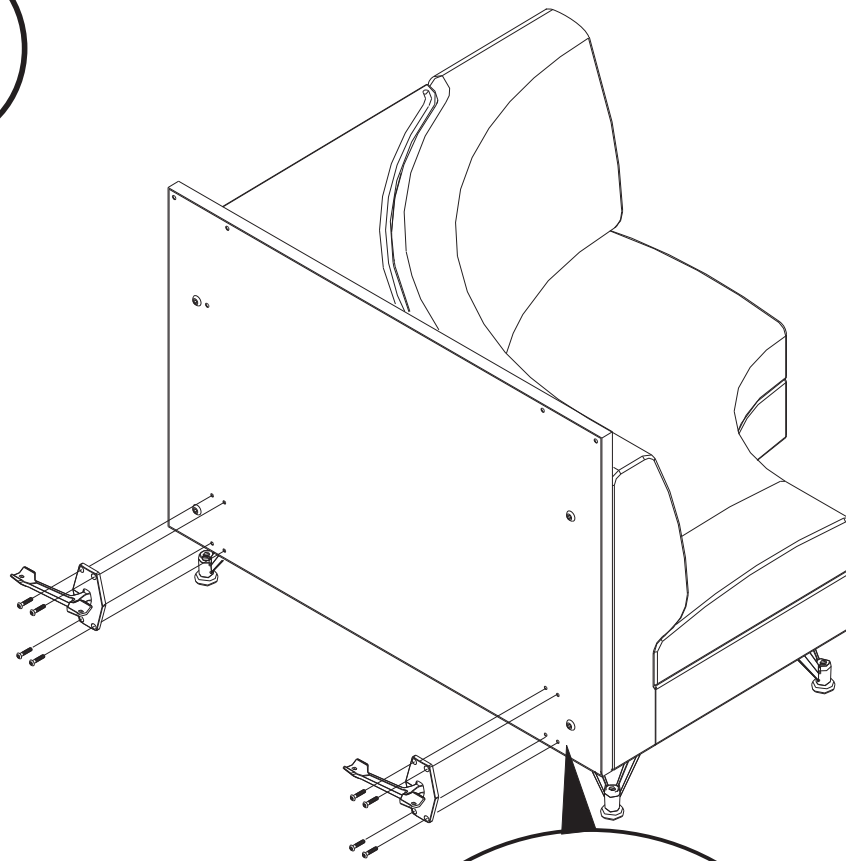


Figure 5

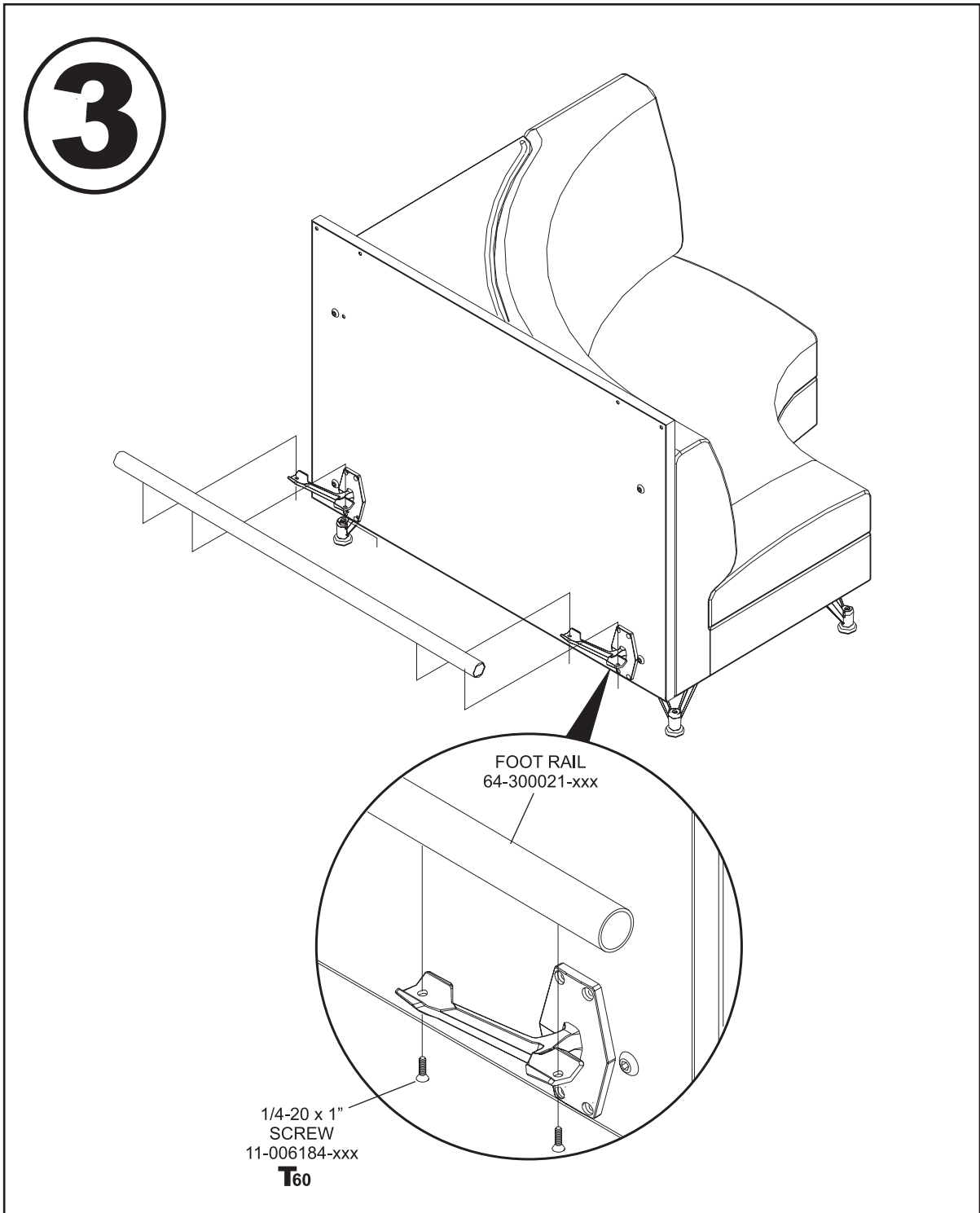


Figure 6

4

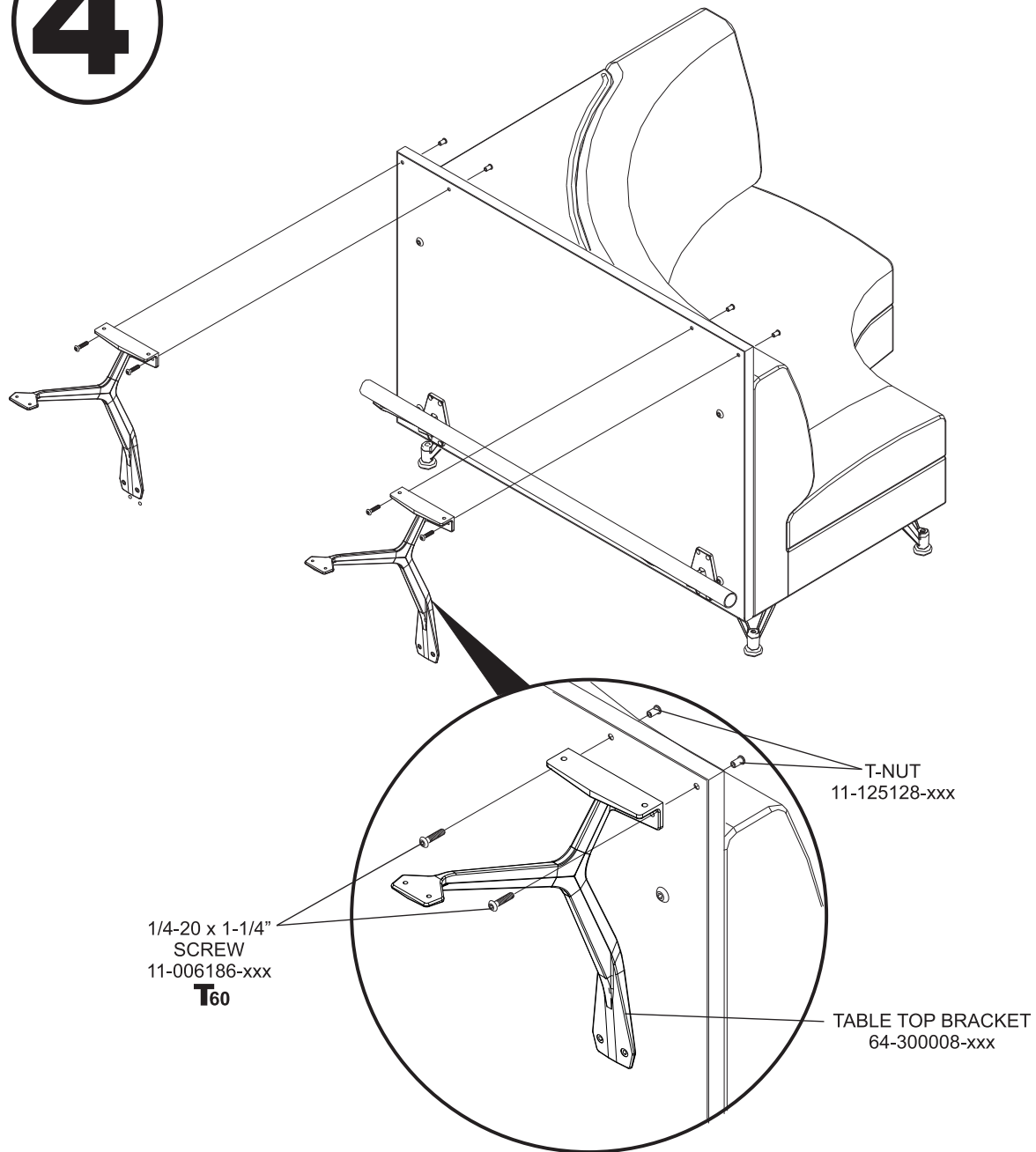


Figure 7

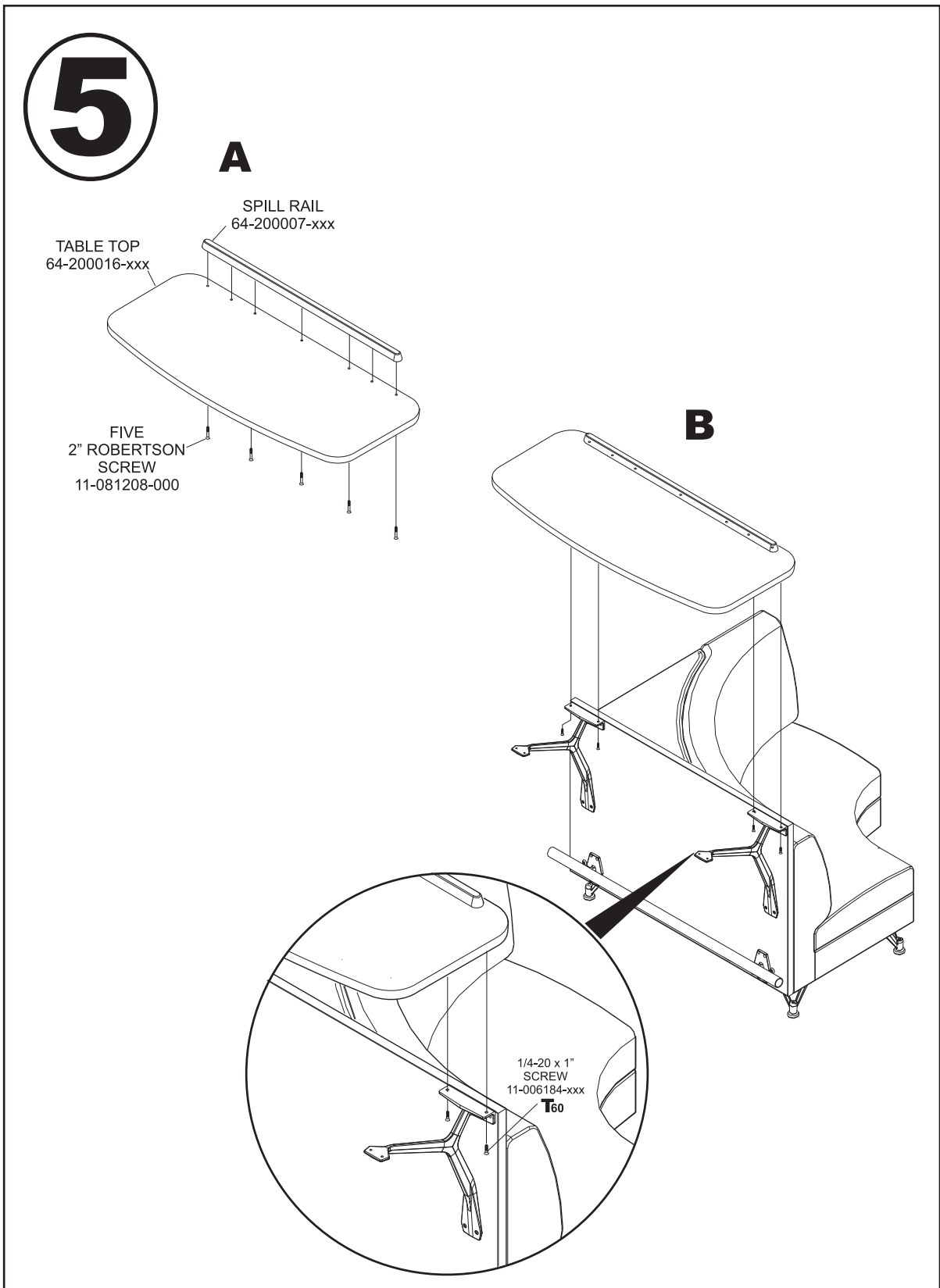


Figure 8

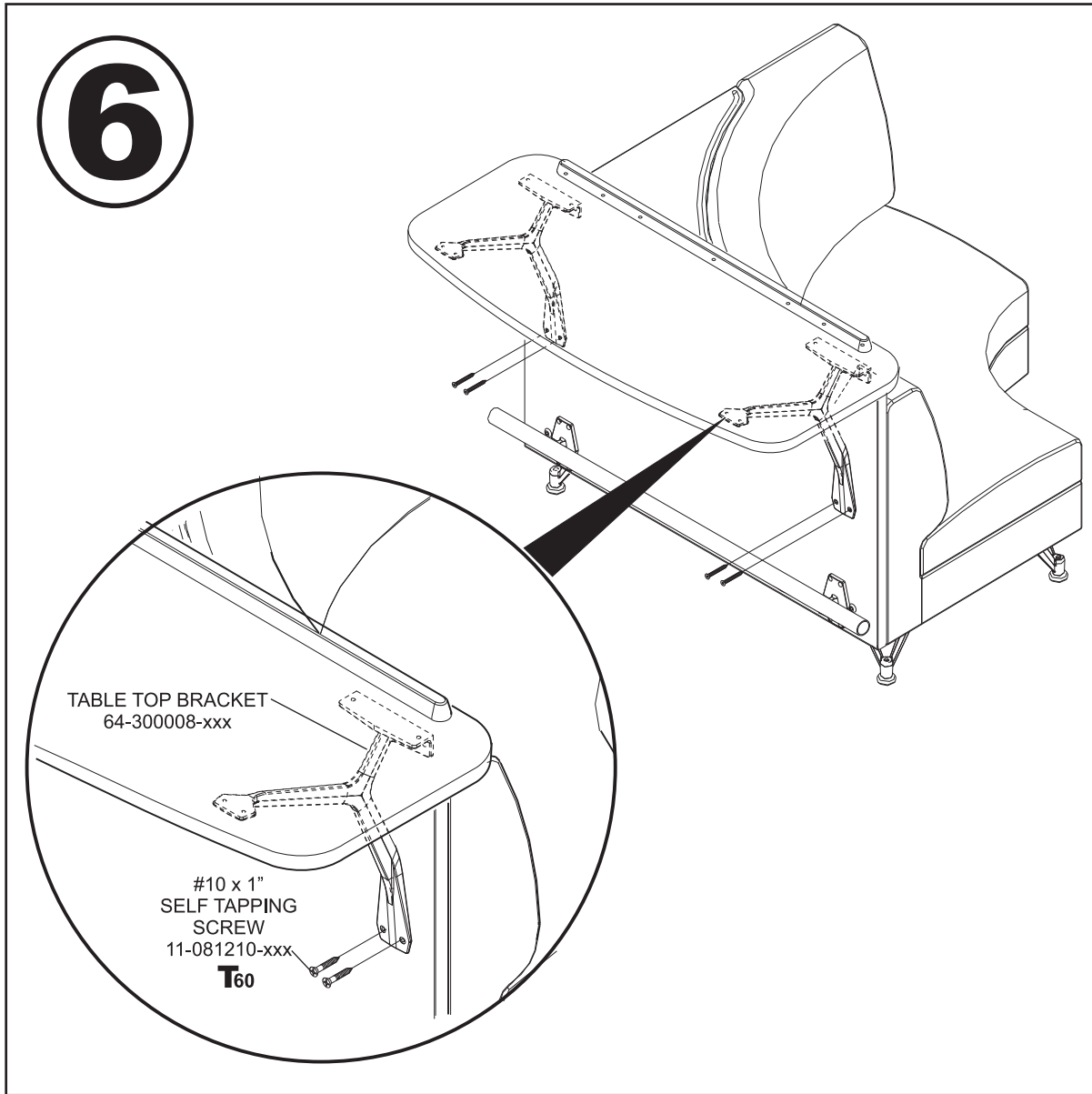


Figure 9

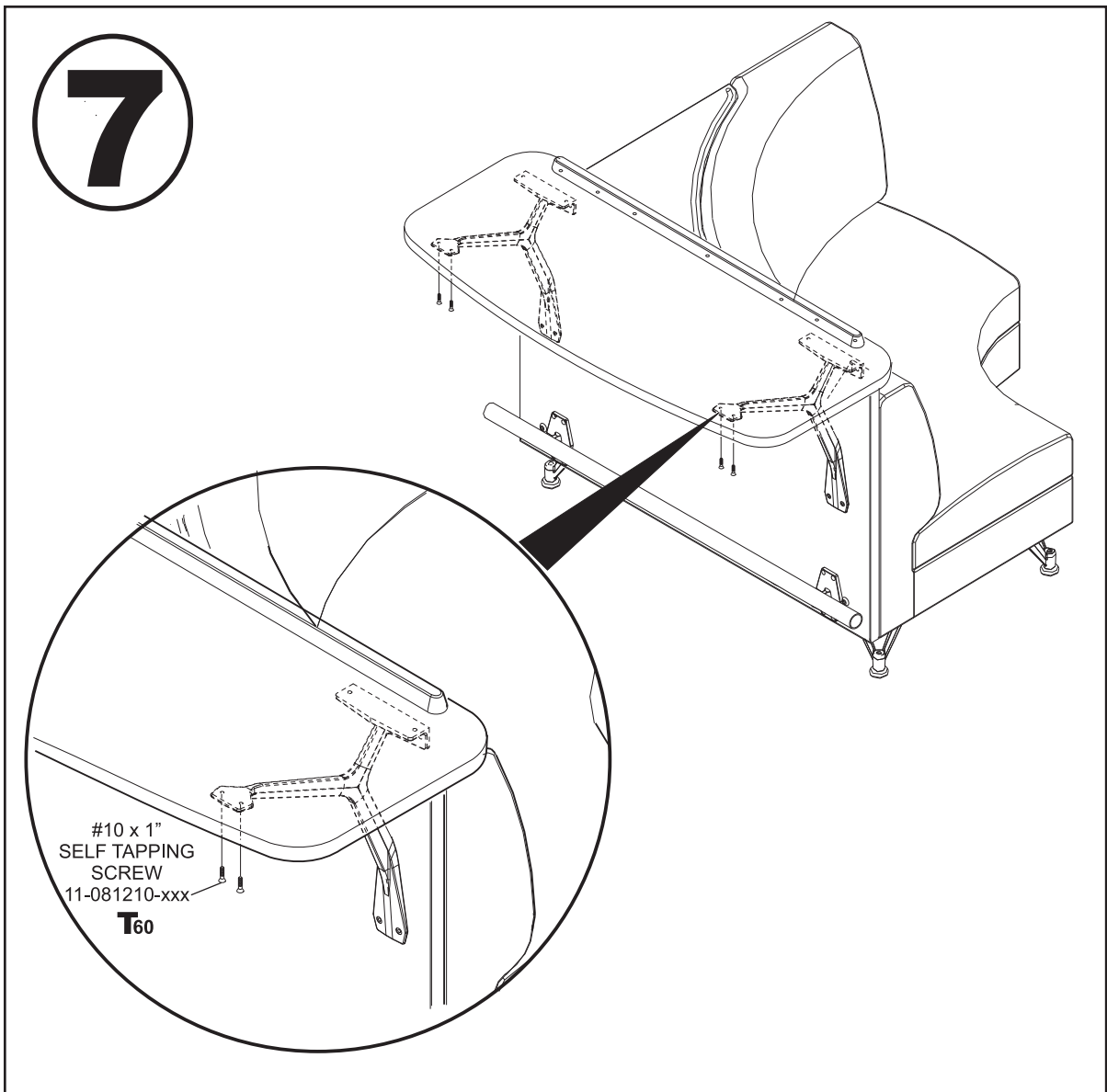


Figure 10

Lane Pair

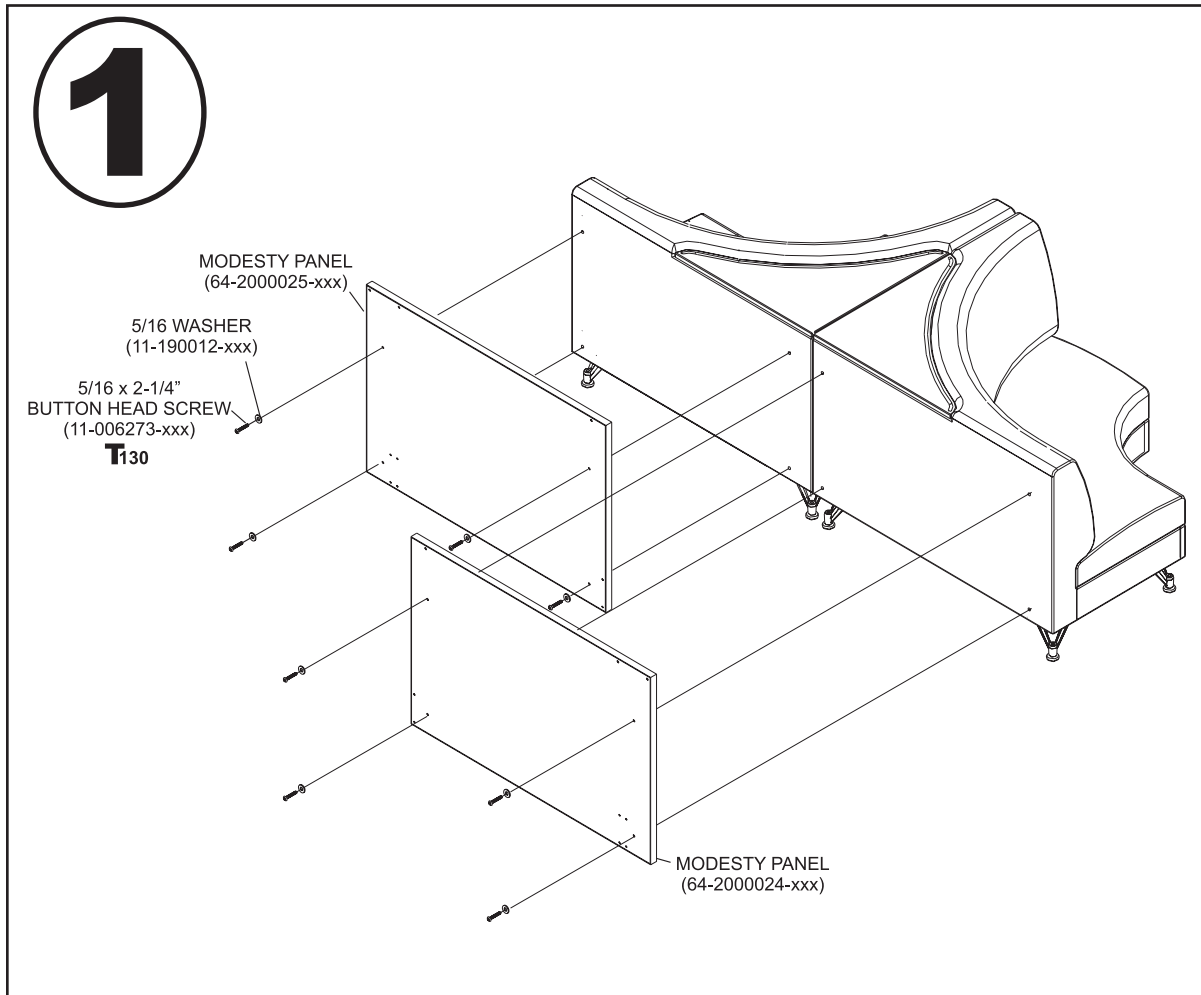


Figure 11

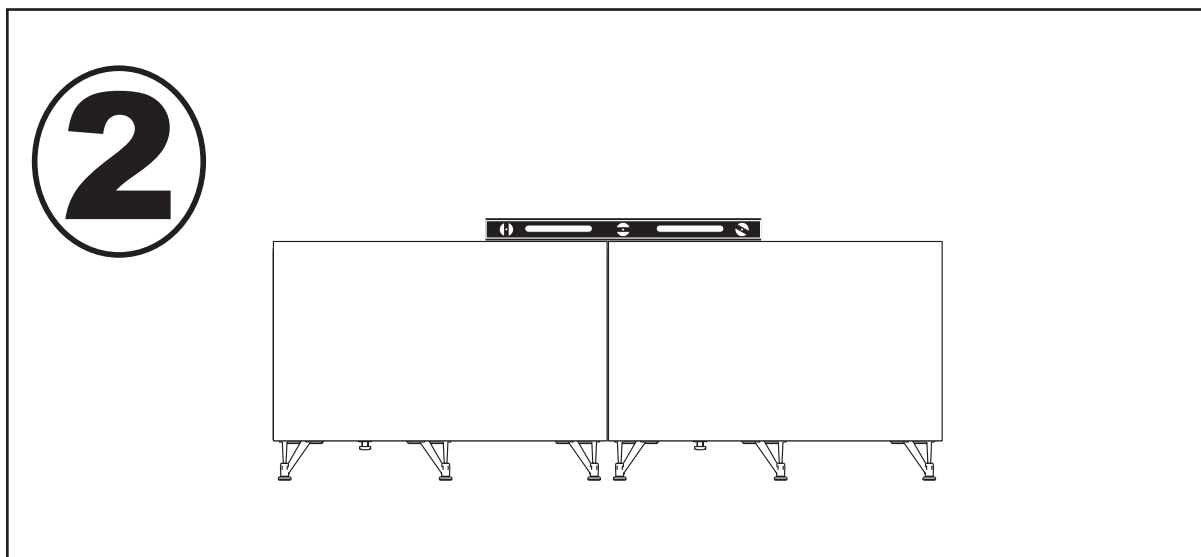


Figure 12

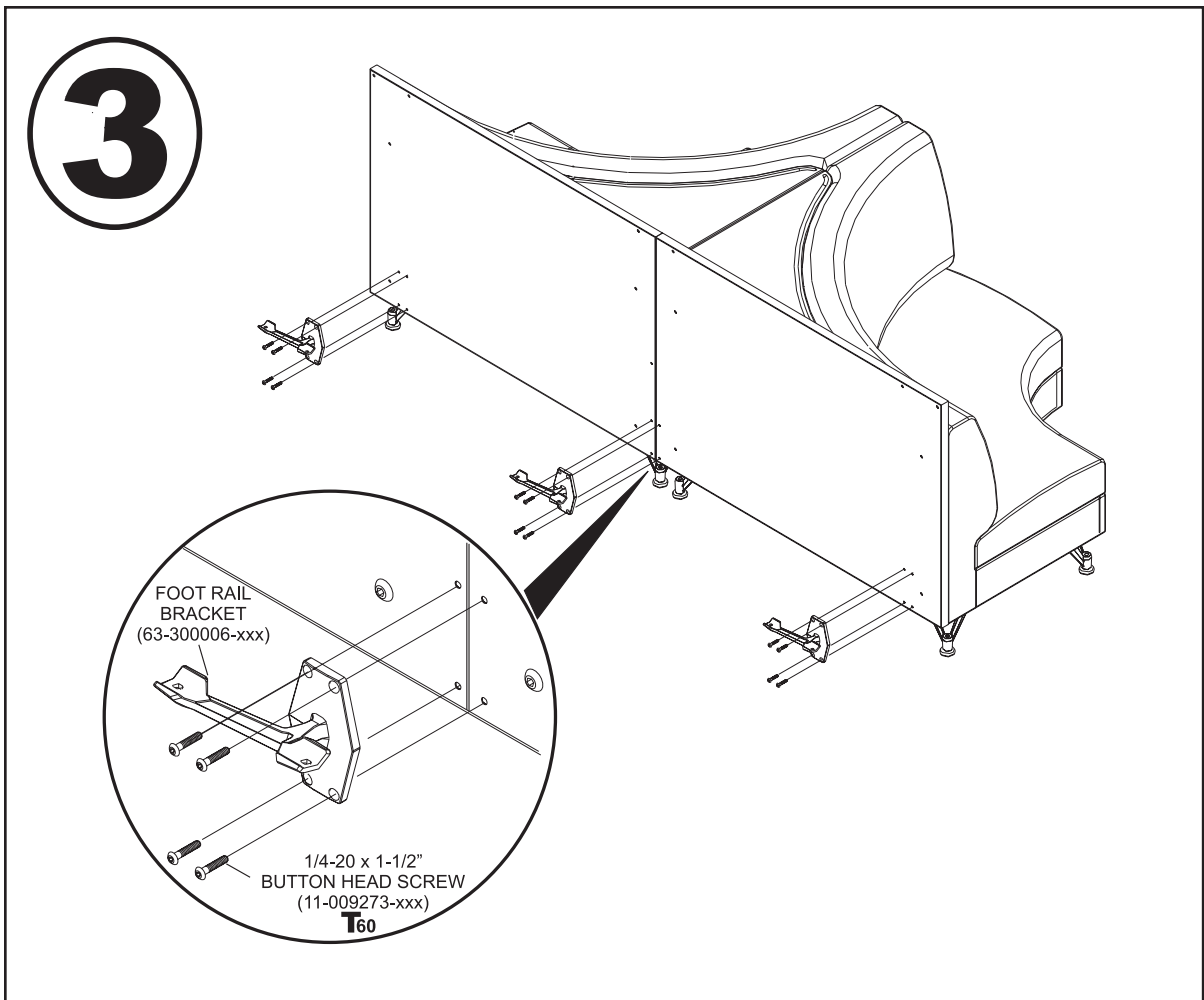


Figure 13

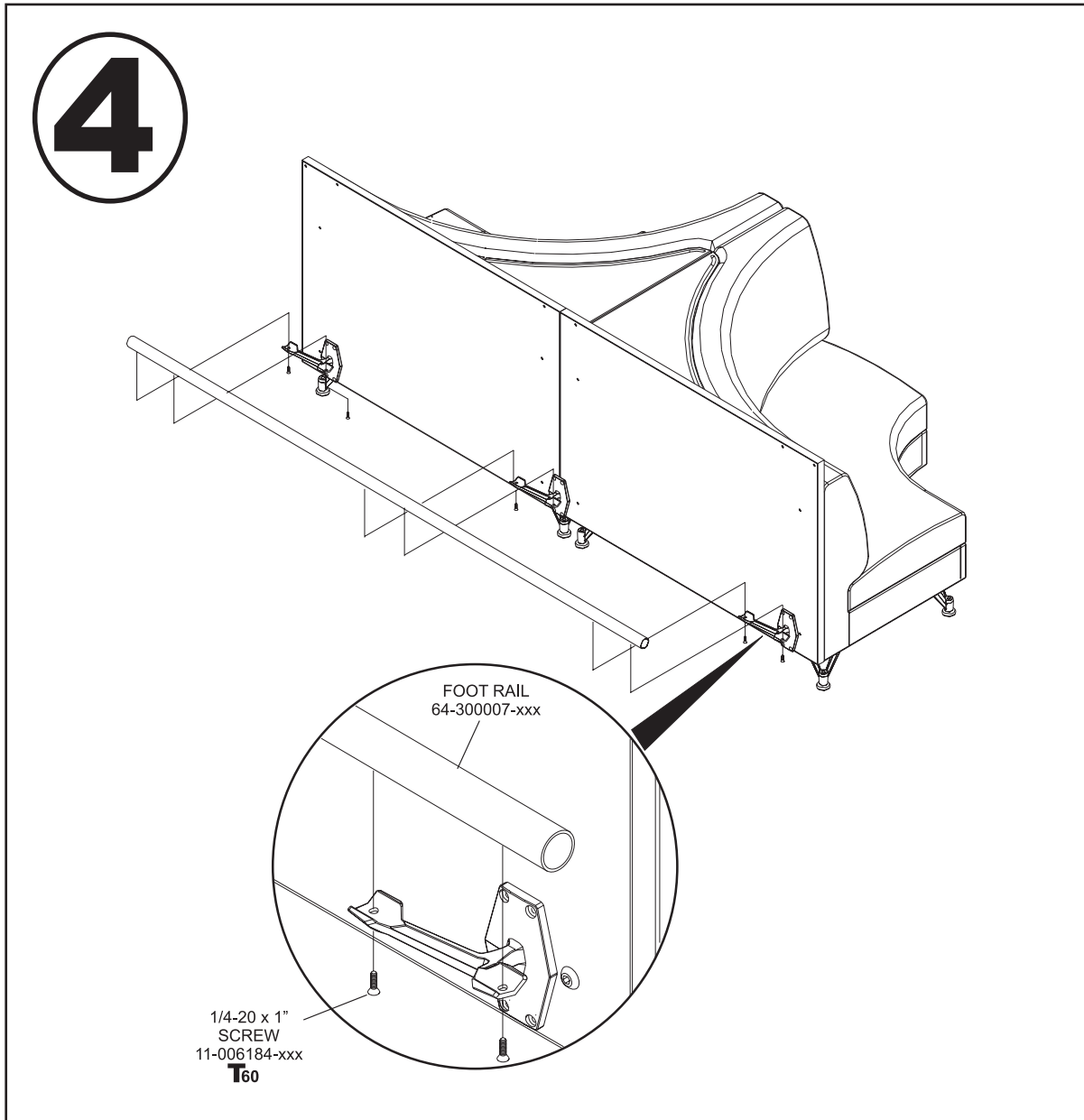


Figure 14

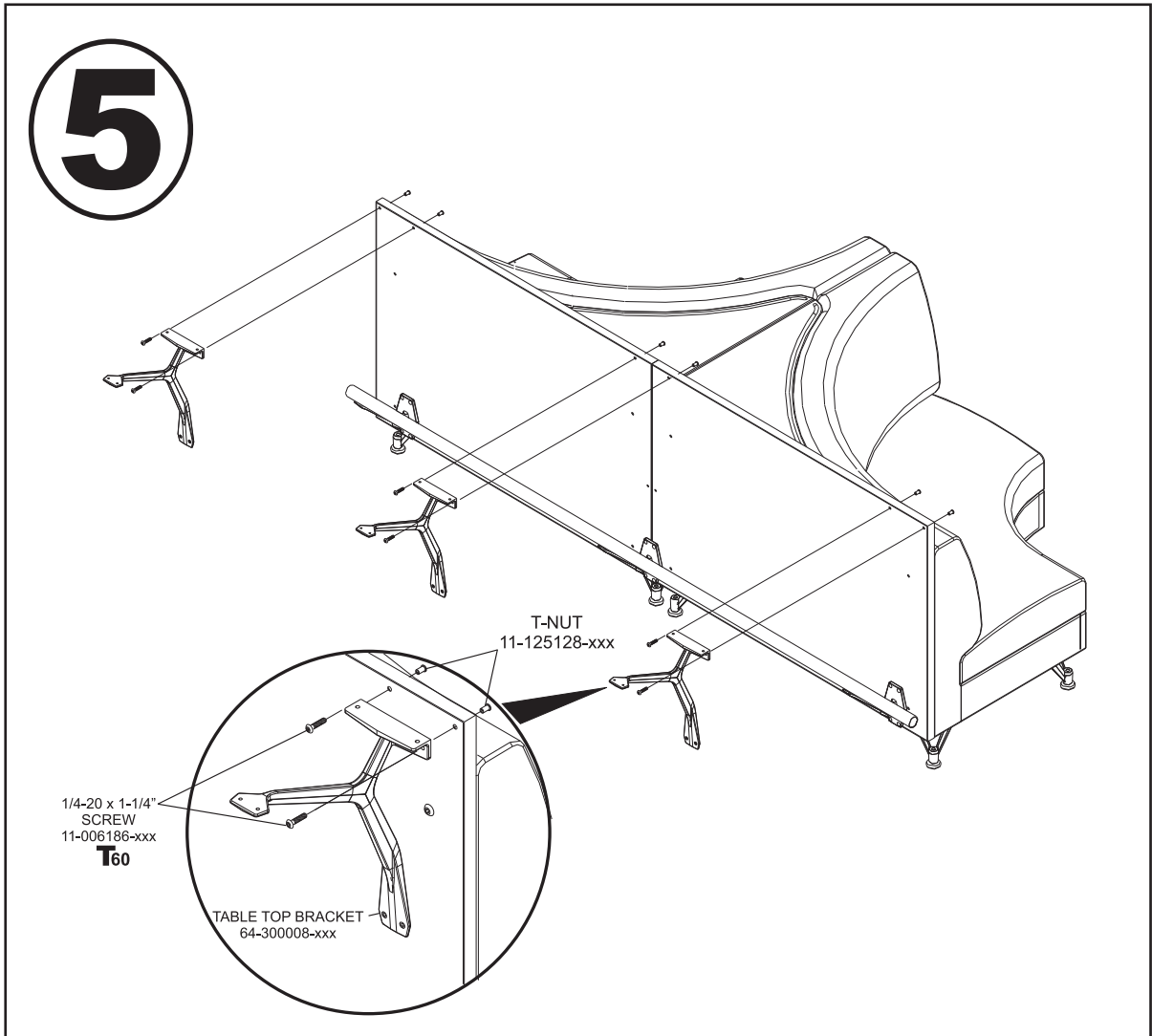


Figure 15

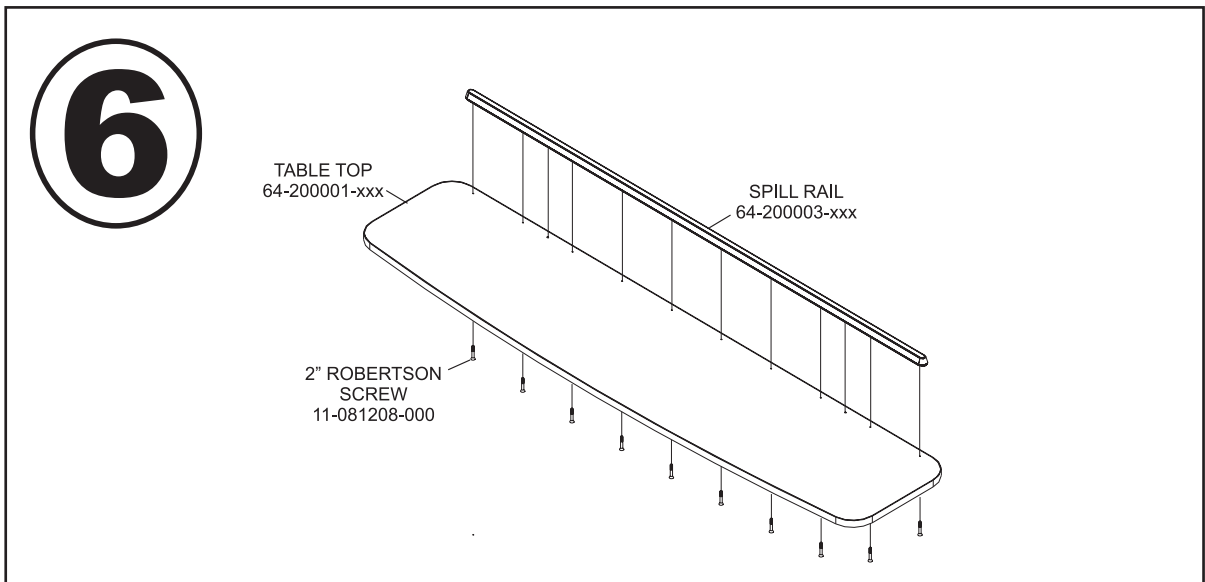


Figure 16

7

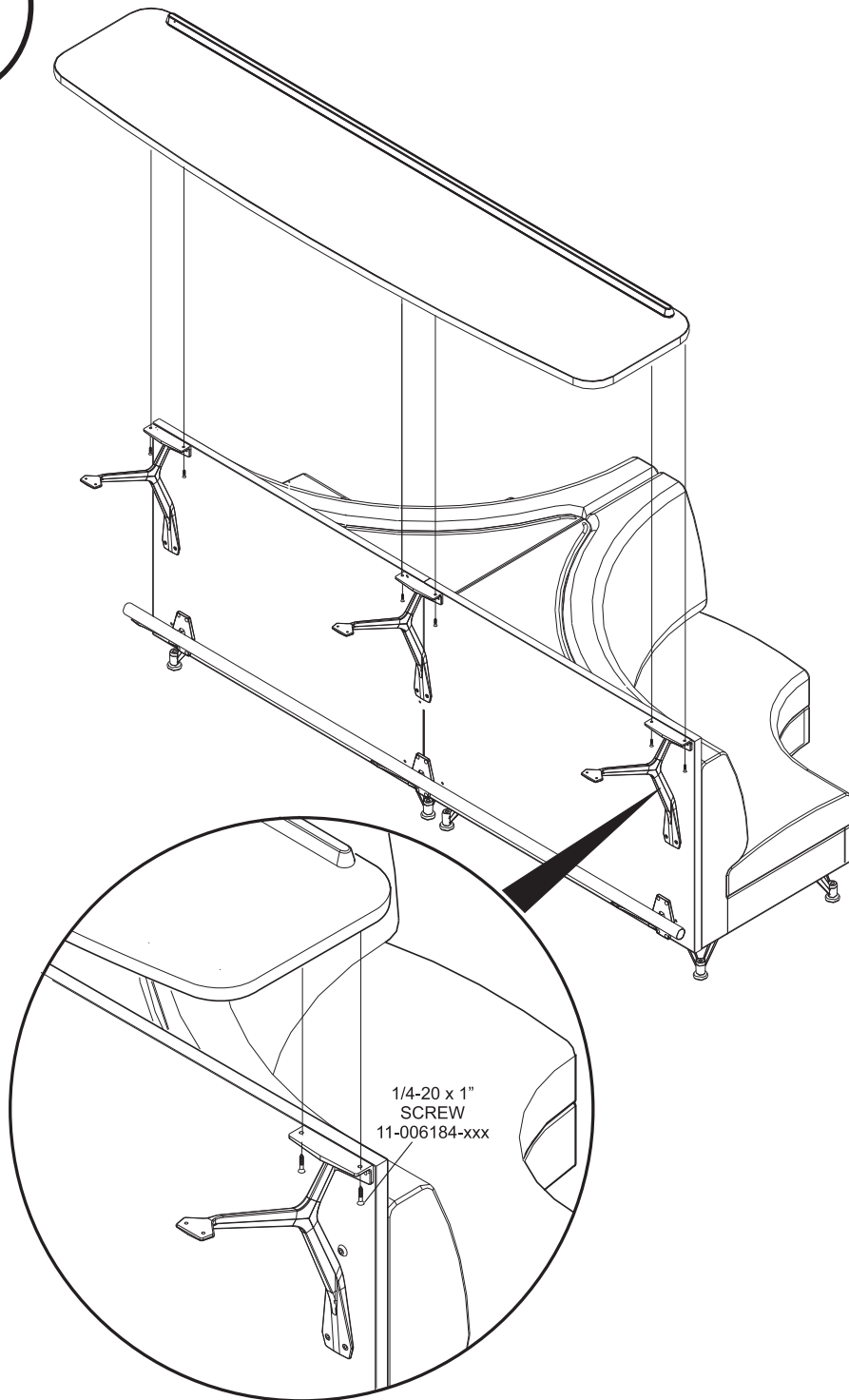


Figure 17

8

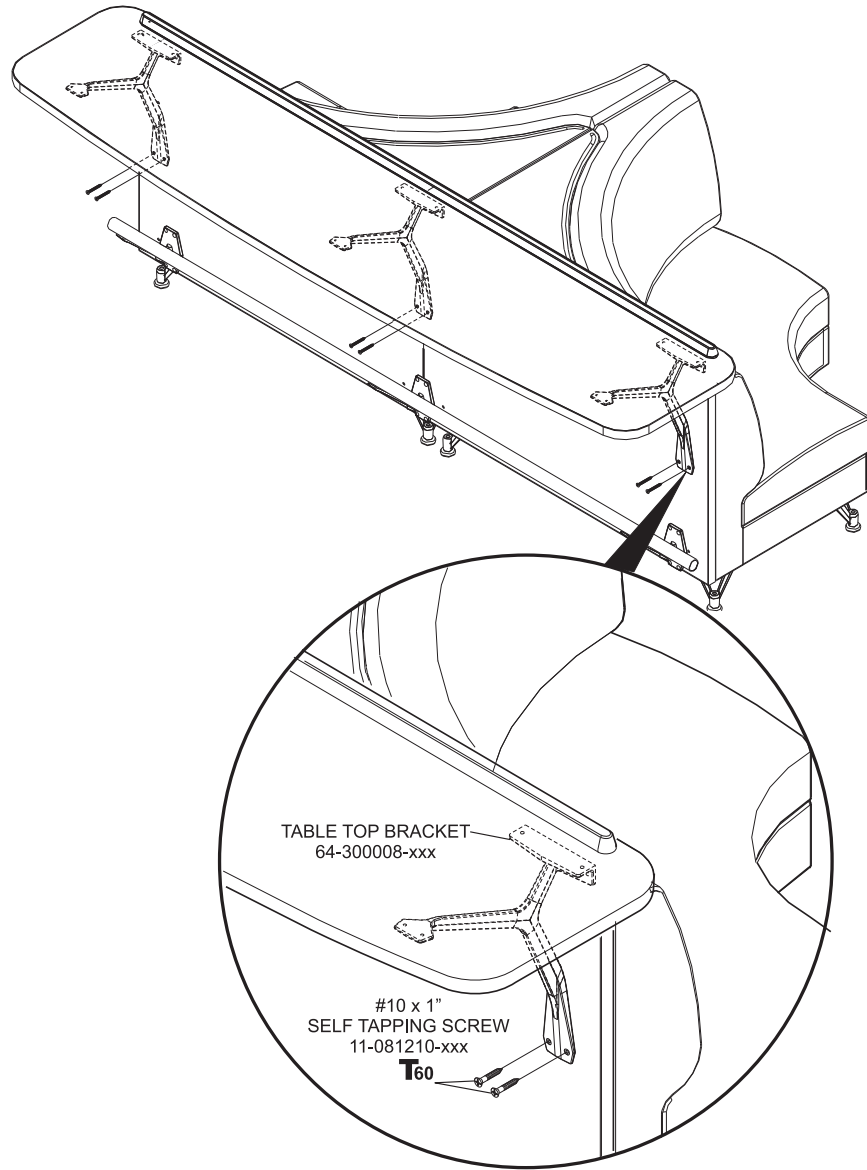


Figure 18

9

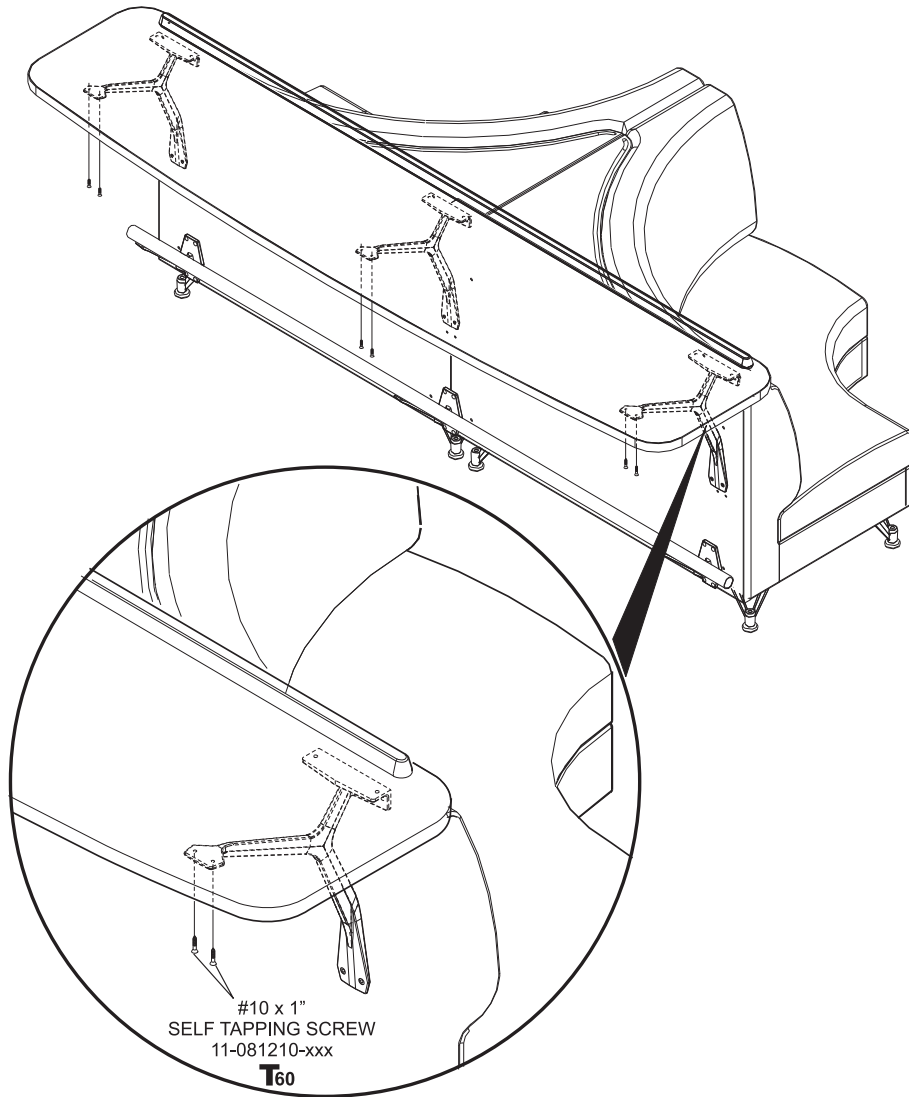


Figure 19

Adjusting Leveling Feet

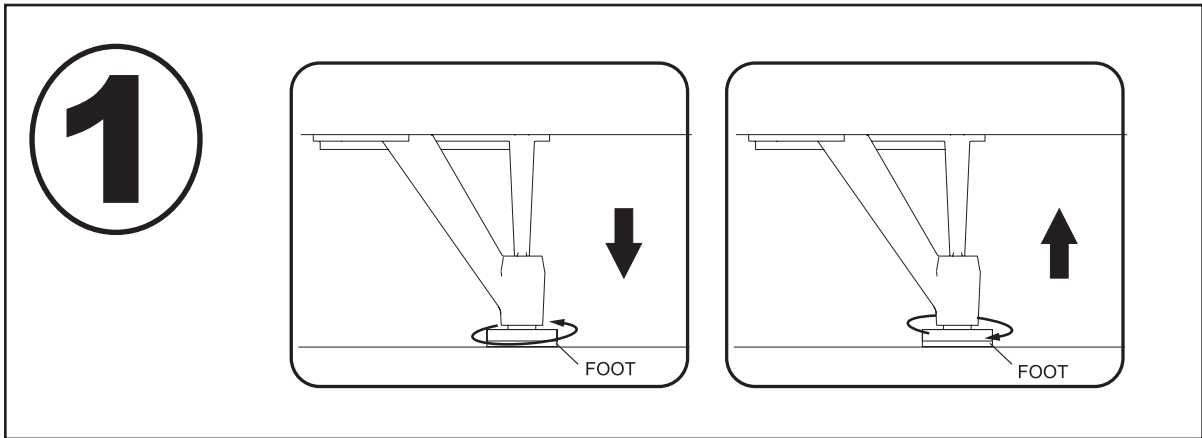


Figure 20.

Intentionally Blank Page

Securing Furniture to Floor

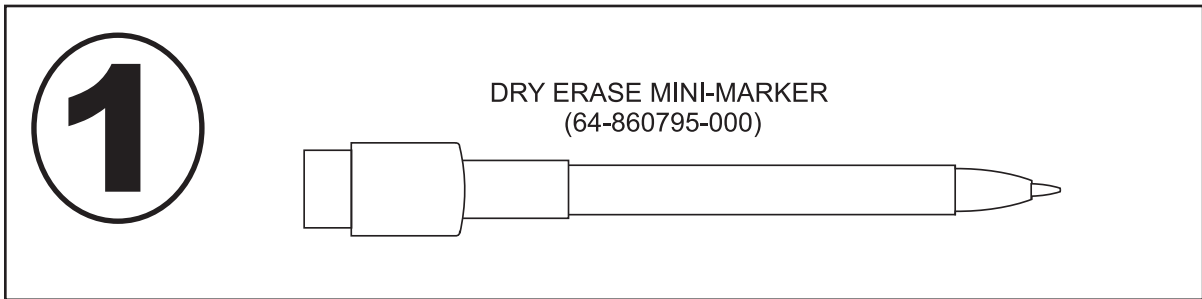


Figure 21

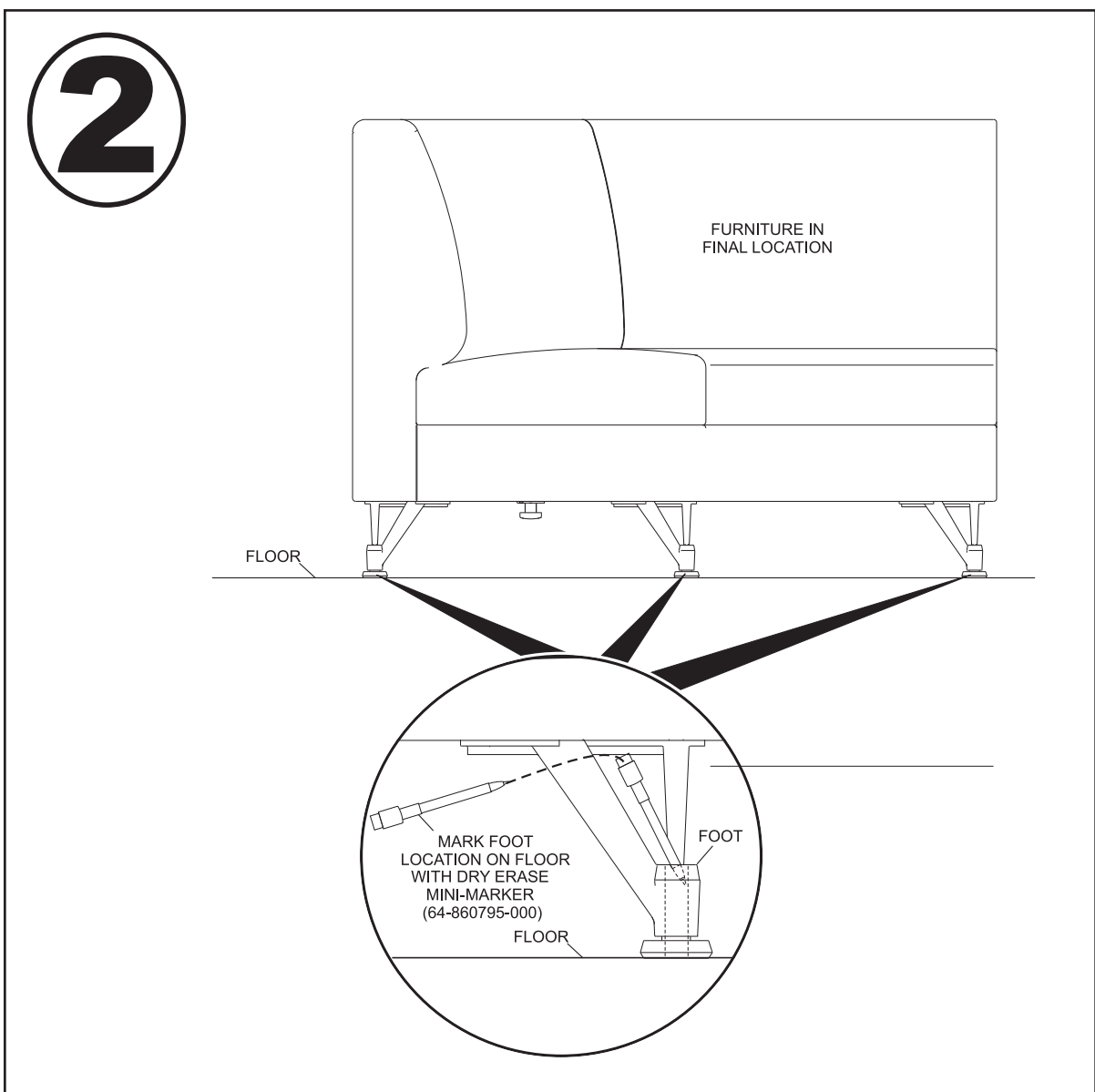


Figure 22

i **NOTE !:** *Verify Furniture is level before securing to floor.*

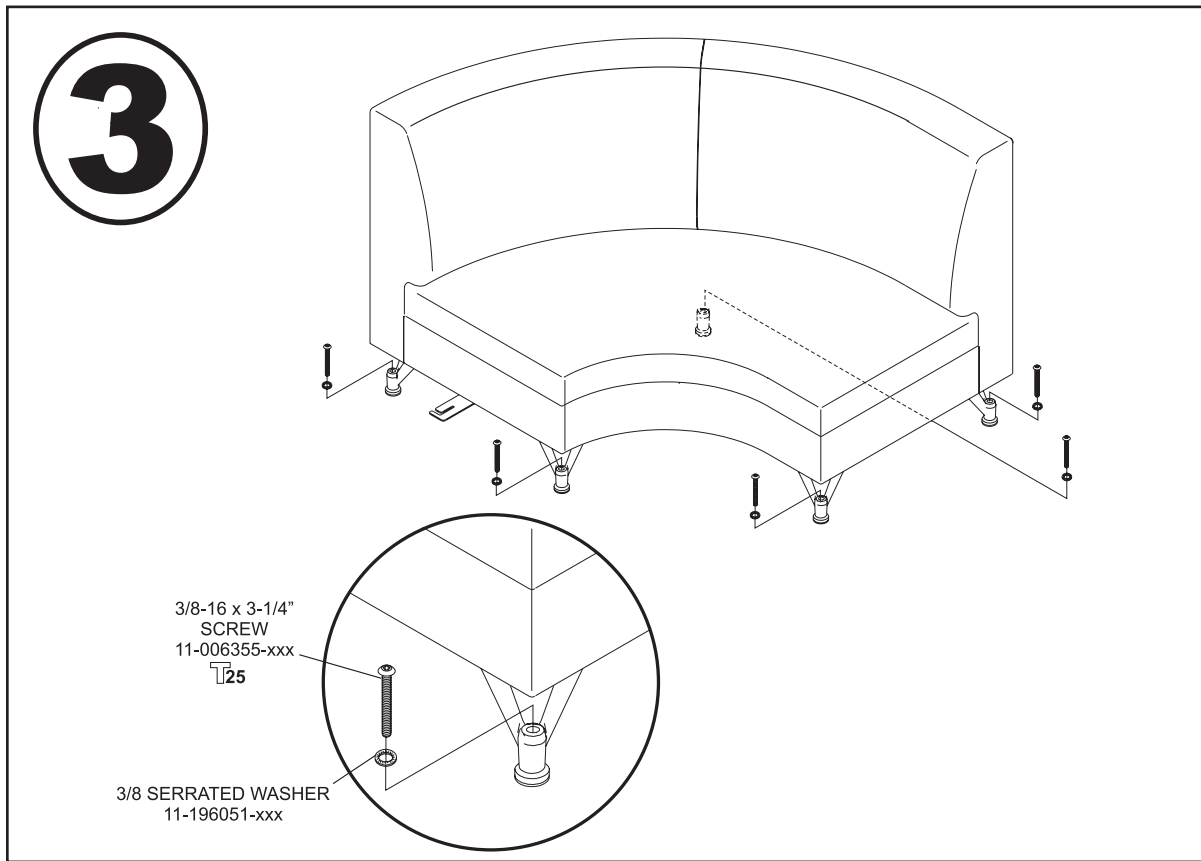


Figure 23

i **NOTE!:** *Secure the feet located on the outer perimeter of the furniture when configured in assemblies.*

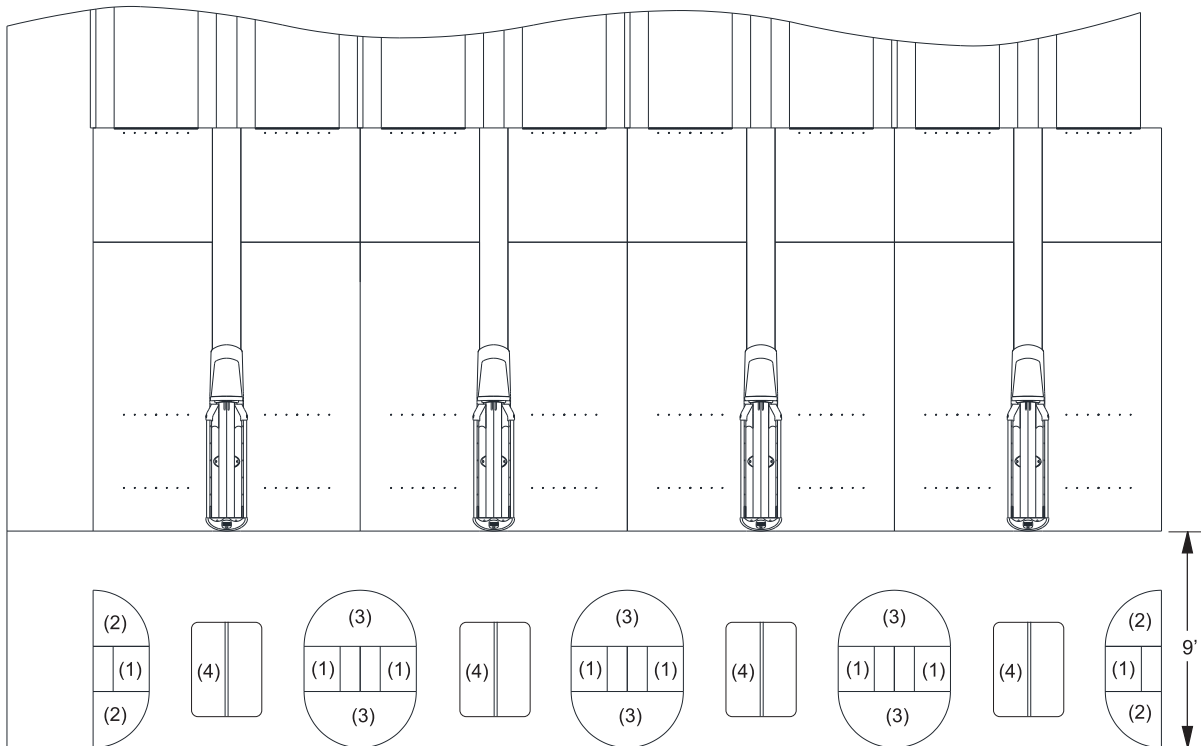
Standard Layouts

9' BOWLERS AREA

9' Configuration A

8 Lane Consists List:

- (1) - 8 qty. Single Seat (64-860009-XXX Backrest, 64-860010-XXX Cushion)
- (2) - 4 qty. Quarter Moon Seat (64-860020-XXX Backrest, 64-860021-XXX Cushion)
- (3) - 6 qty. Half Moon Seat (64-860023-XXX Backrest, 64-860024-XXX Cushion)
- (4) - 4 qty. Coffee Table (64-860039-XXX)



9' Configuration B

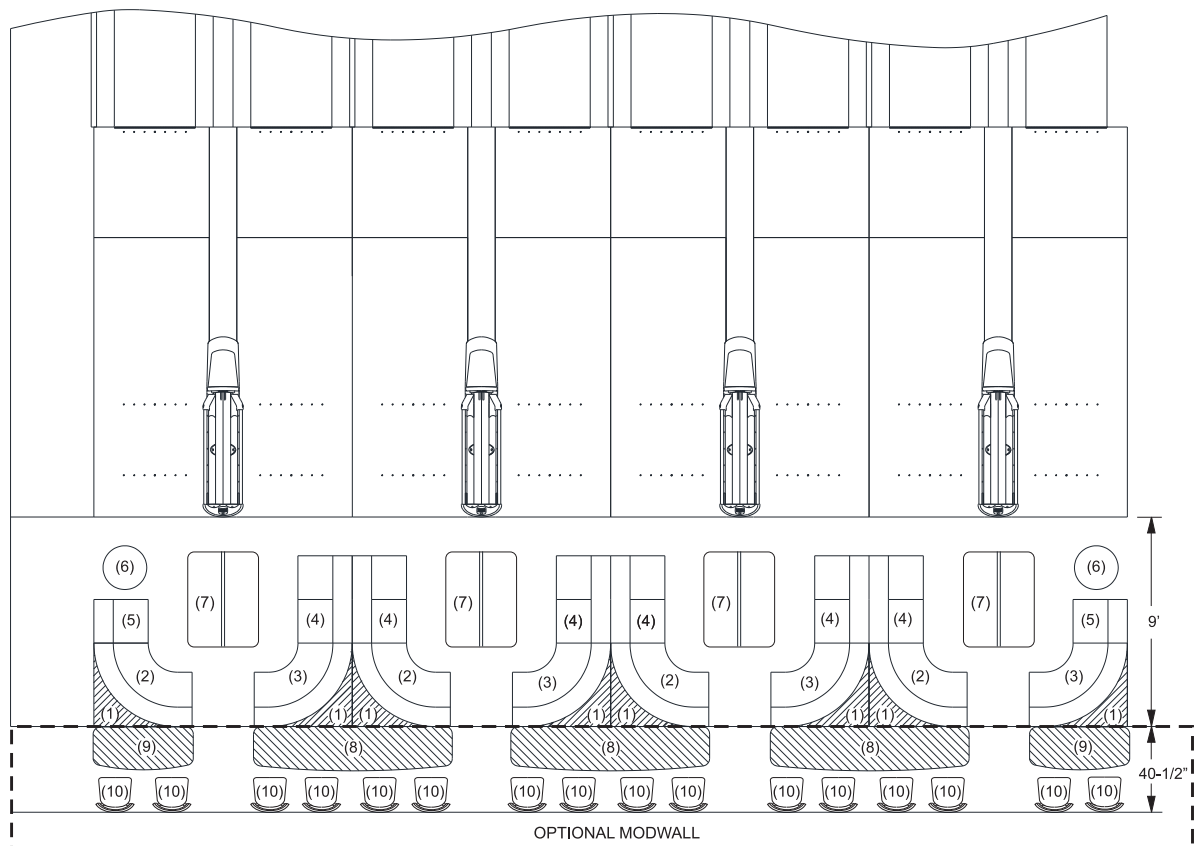
8 Lane Consists List:

- (1) - 8 qty. Corner Table Top (64-860004-XXX)
- (2) - 4 qty. LH Corner w/Top (64-860001-XXX Backrest, 64-860003-XXX Cushion)
- (3) - 4 qty. RH Corner w/Top (64-860005-XXX Backrest, 64-860007-XXX Cushion)
- (4) - 6 qty. Double Seat (64-860011-XXX Backrest, 64-860012-XXX Cushion)
- (5) - 2 qty. Single Seat (64-860009-XXX Backrest, 64-860010-XXX Cushion)
- (6) - 2 qty. Ottoman (64-860029-XXX)
- (7) - 4 qty. Lg. Coffee Table (64-860039-XXX)

Optional Modwall

- *(8) - 3 qty. Double Attached Modwall (64-860045-xxx)
- *(9) - 2 qty. Single Attached Modwall (64-86005x-xxx)
- *(10) - 16 qty. Bar Stool (64-8601xx-xxx)

* **i** **NOTE!:** Optional Modwall requires additional 40-1/2"



9' Configuration C

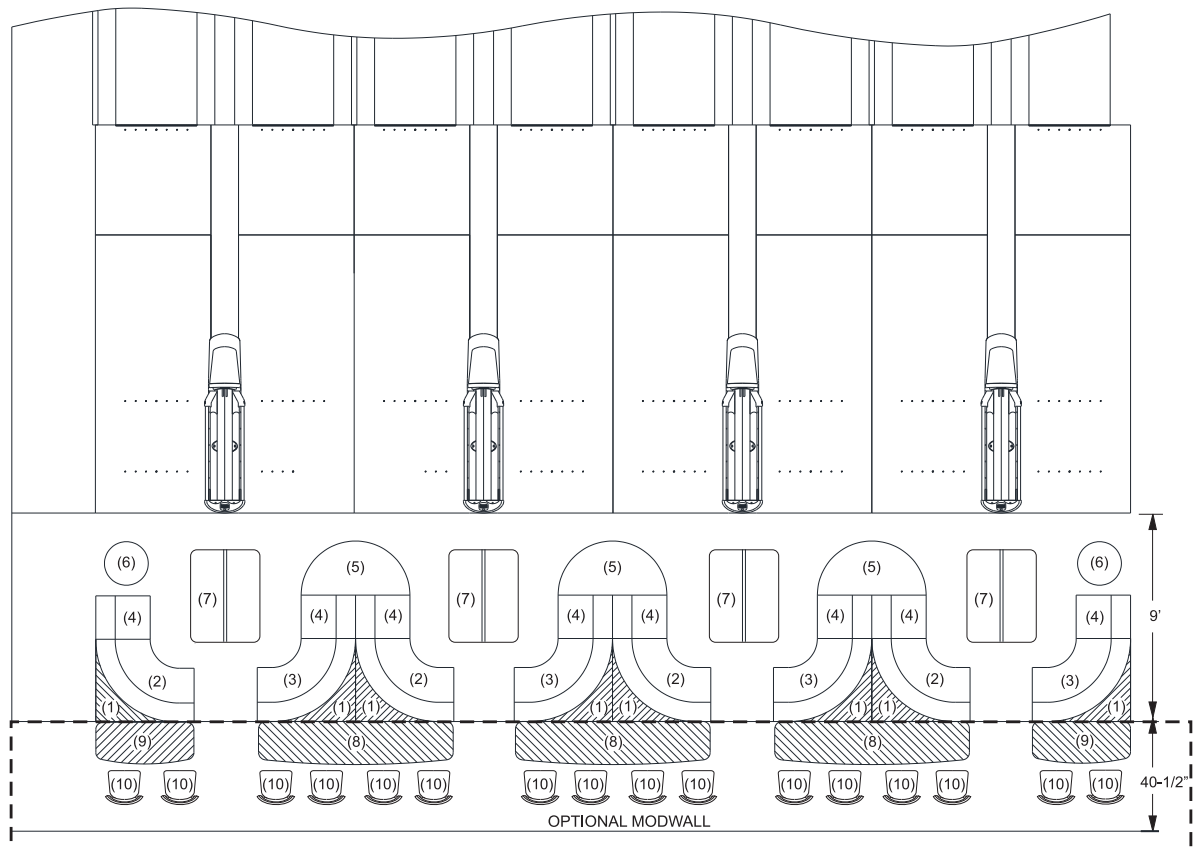
8 Lane Consists List:

- (1) - 8 qty. Corner Table Top (64-860004-XXX)
- (2) - 4 qty. LH Corner w/Top (64-860001-XXX Backrest, 64-860003-XXX Cushion)
- (3) - 4 qty. RH Corner w/Top (64-860005-XXX Backrest, 64-860007-XXX Cushion)
- (4) - 8 qty. Single Seat (64-860009-XXX Backrest, 64-860010-XXX Cushion)
- (5) - 3 qty. Half Moon Seat (64-860023-XXX Backrest, 64-860024-XXX Cushion)
- (6) - 2 qty. Ottoman (64-860029-XXX)
- (7) - 4 qty. Lg. Coffee Table (64-860039-XXX)

Optional Modwall

- *(8) - 3 qty. Double Attached Modwall (64-860045-xxx)
- *(9) - 2 qty. Single Attached Modwall (64-86005x-xxx)
- *(10) - 16 qty. Bar Stool (64-8601xx-xxx)

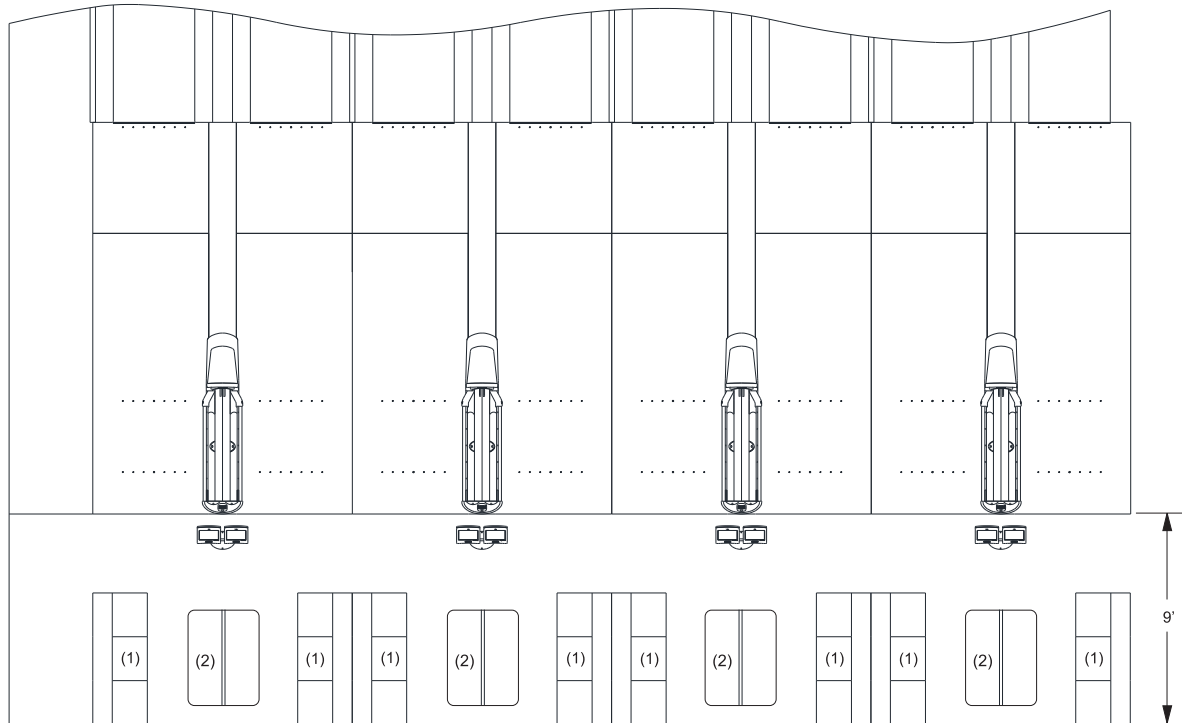
* **i** **NOTE!:** Optional Modwall requires additional 40-1/2"



9' Configuration D

8 Lane Consists List:

- (1) - 8 qty. Three Seat Unit (64-860013-XXX Backrest, 64-860014-XXX Cushion)
- (2) - 4 qty. Lg. Coffee Table (64-860039-XXX)



9' Configuration E

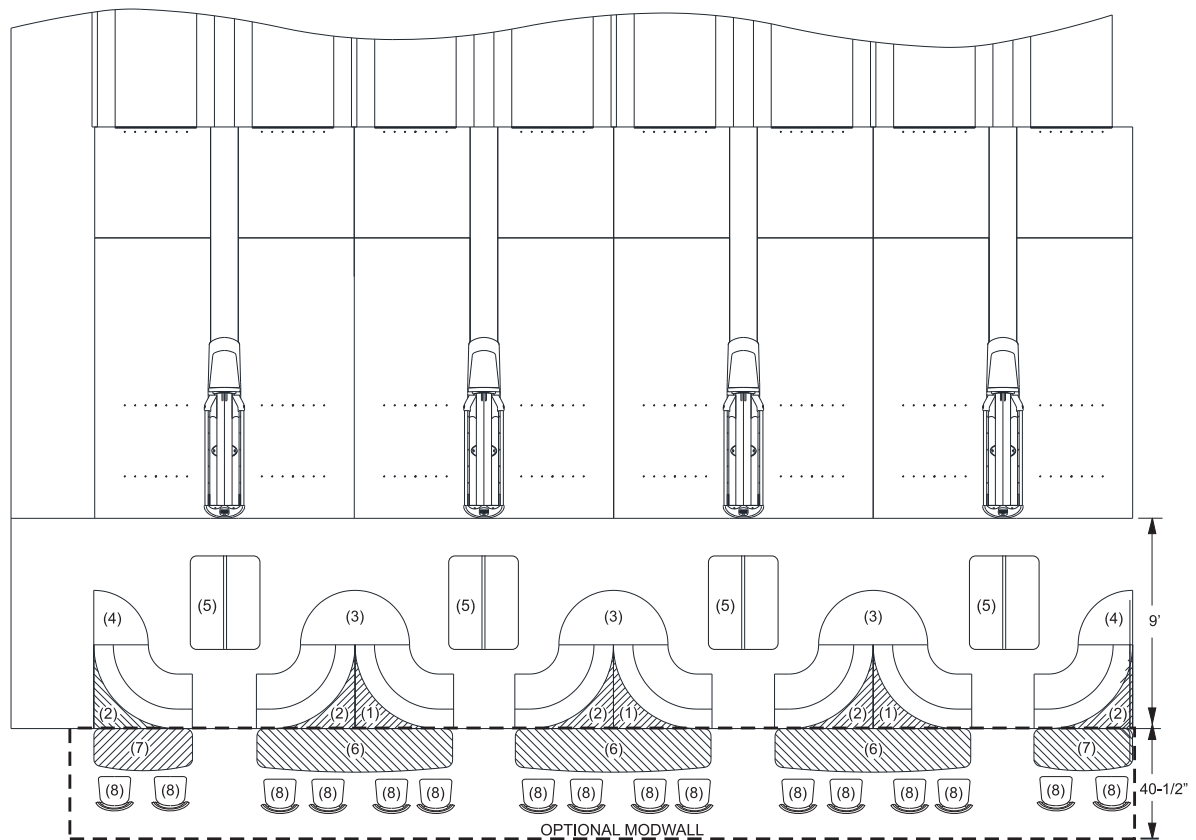
8 Lane Consists List:

- (1) - 4 qty. LH Corner w/Top (64-860001-XXX Backrest, 64-860003-XXX Cushion)
- (2) - 4 qty. RH Corner w/Top (64-860005-XXX Backrest, 64-860007-XXX Cushion)
- (3) - 3 qty. Half Moon Seat (64-860023-XXX Backrest, 64-860024-XXX Cushion)
- (4) - 2 qty. Quarter Moon Seat (64-860020-XXX Backrest, 84-860021-XXX Cushion)
- (5) - 4 qty. Lg. Coffee Table (64-860039-XXX)

Optional Modwall

- *(6) - 1 qty. Double Attached Modwall (64-860045-xxx)
- *(7) - 1 qty. Single Attached Modwall (64-86005x-xxx)
- *(8) - 6 qty. Bar Stool (64-8601xx-xxx)

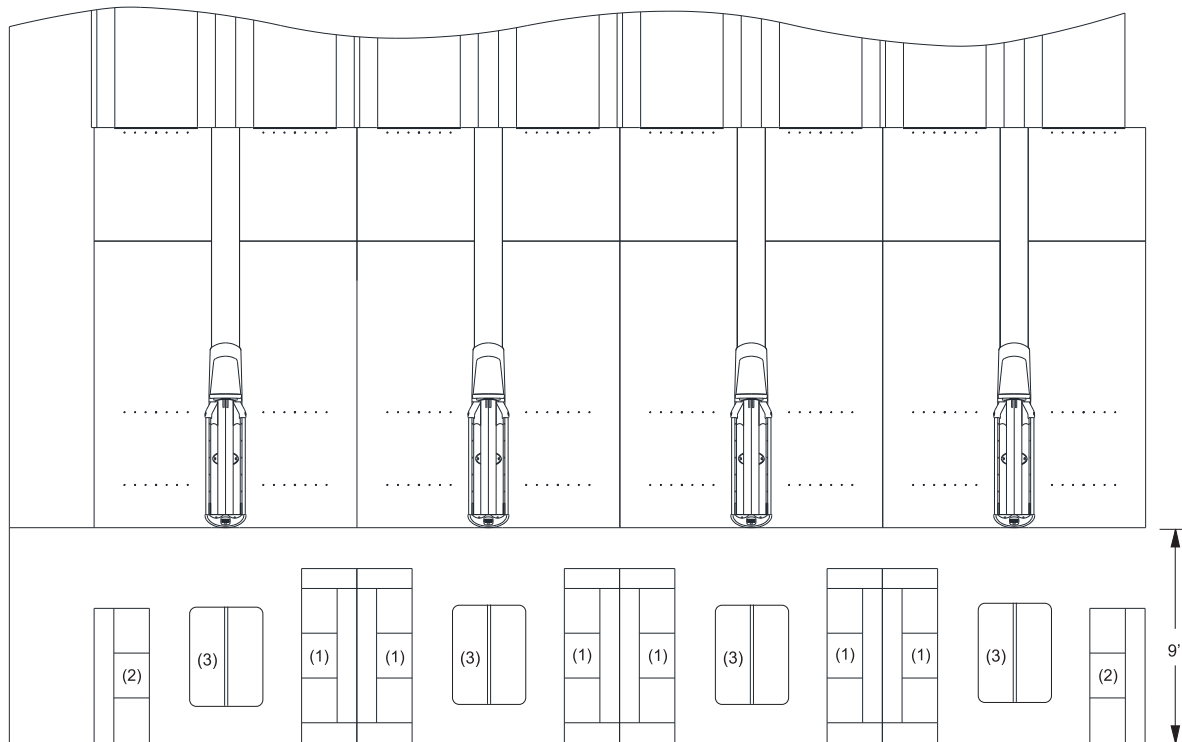
* **i** **NOTE!:** Optional Modwall requires additional 40-1/2"



9' Configuration F

8 Lane Consists List:

- (1) - 6 qty. Sofa (64-860031-XXX Backrest, 64-860032-XXX Cushion/Arms)
- (2) - 2 qty. Three Seat Unit (64-860013-XXX Backrest, 64-860014-XXX Cushion)
- (3) - 4 qty. Lg. Coffee Table (64-860039-XXX)

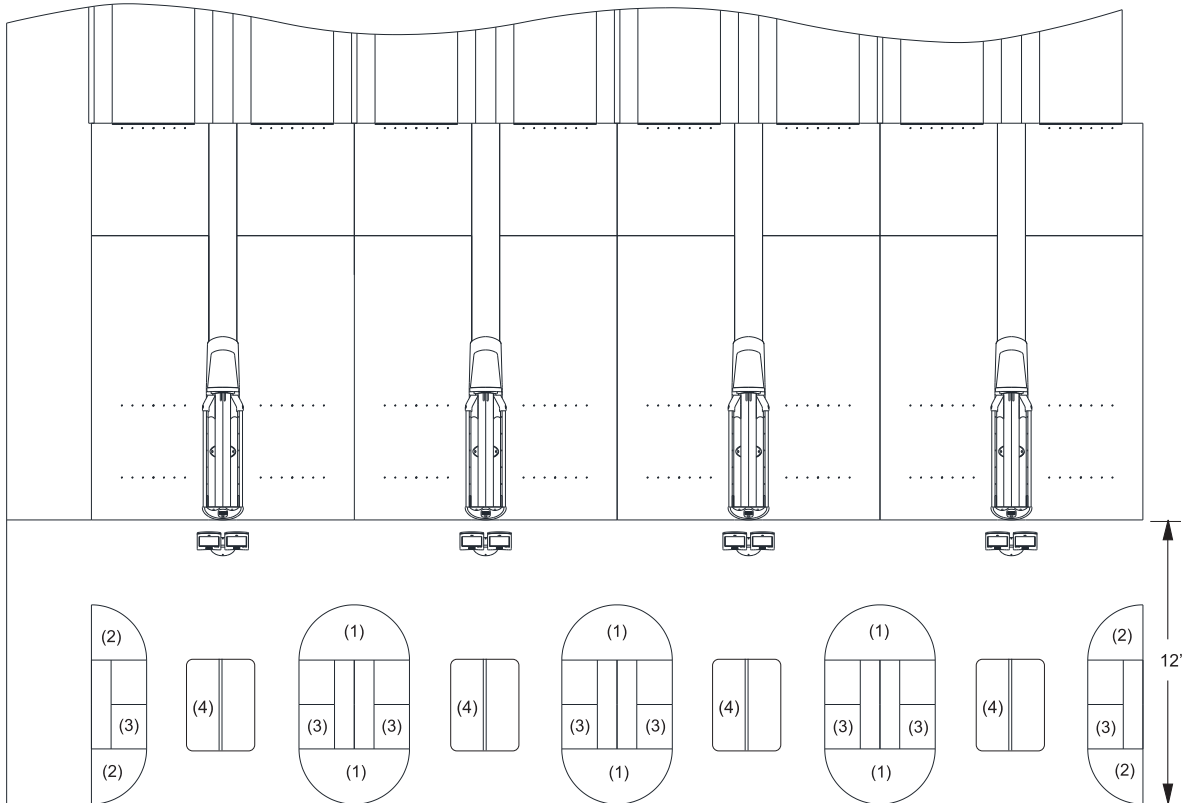


12' BOWLERS AREA

12' Configuration A

8 Lane Consists List:

- (1) - 6 qty. Half Moon Seat (64-860023-XXX Backrest, 64-860024-XXX Cushion)
- (2) - 4 qty. Quarter Moon Seat (64-860020-XXX Backrest, 84-860021-XXX Cushion)
- (3) - 8 qty. Double Seat (64-860011-XXX Backrest, 64-860012-XXX Cushion)
- (4) - 4 qty. Lg. Coffee Table (64-860039-XXX)



12' Configuration B

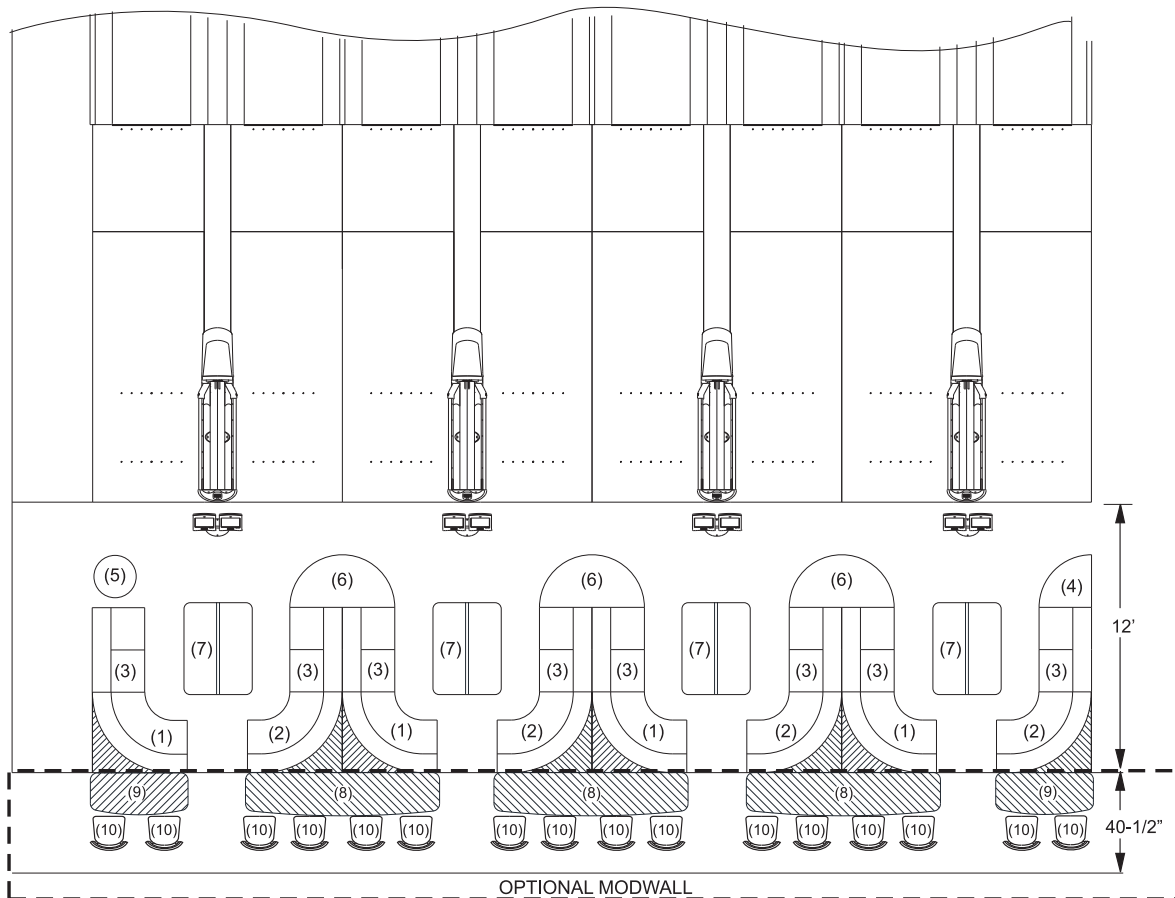
8 Lane Consists List:

- (1) - 4 qty. LH Corner w/Top (64-860001-XXX Backrest, 64-860003-XXX Cushion)
- (2) - 4 qty. RH Corner w/Top (64-860005-XXX Backrest, 64-860007-XXX Cushion)
- (3) - 8 qty. Double Seat (64-860011-XXX Backrest, 64-860012-XXX Cushion)
- (4) - 1 qty. Quarter Moon Seat (64-860020-XXX Backrest, 84-860021-XXX Cushion)
- (5) - 1 qty. Ottoman (64-860029-XXX)
- (6) - 3 qty. Half Moon Seat (64-860023-XXX Backrest, 64-860024-XXX Cushion)
- (7) - 4 qty. Lg. Coffee Table (64-860039-XXX)

Optional Modwall

- *(8) - 3 qty. Double Attached Modwall (64-860045-xxx)
- *(9) - 2 qty. Single Attached Modwall (64-86005x-xxx)
- *(10) - 16 qty. Bar Stool (64-8601xx-xxx)

* **i** **NOTE!:** Optional Modwall requires additional 40-1/2"



12' Configuration C

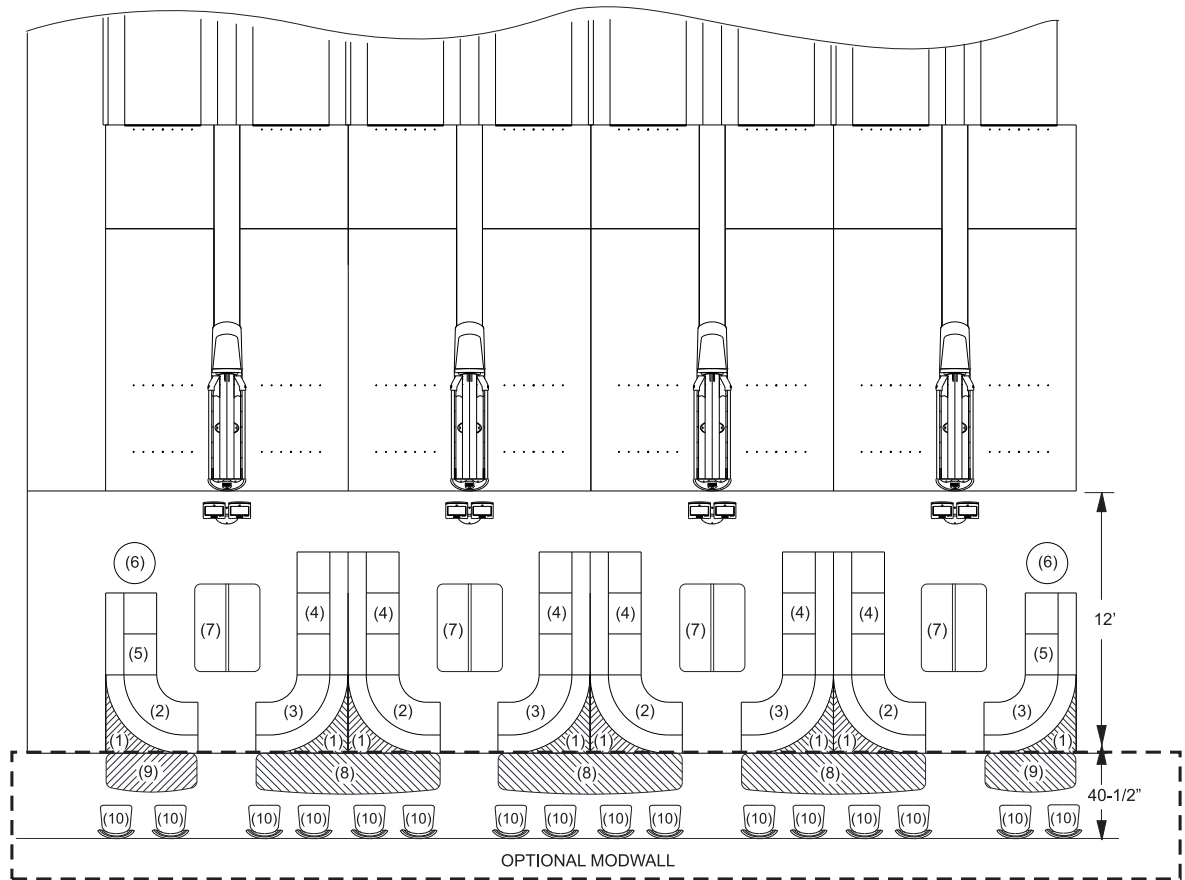
8 Lane Consists List:

- (1) - 8 qty. Corner Table Top (64-860004-XXX)
- (2) - 4 qty. LH Corner w/Top (64-860001-XXX Backrest, 64-860003-XXX Cushion)
- (3) - 4 qty. RH Corner w/Top (64-860005-XXX Backrest, 64-860007-XXX Cushion)
- (4) - 6 qty. Three Seat Unit (64-860013-XXX Backrest, 64-860014-XXX Cushion)
- (5) - 2 qty. Double Seat (64-860011-XXX Backrest, 64-860012-XXX Cushion)
- (6) - 2 qty. Ottoman (64-860029-XXX)
- (7) - 4 qty. Lg. Coffee Table (64-860039-XXX)

Optional Modwall

- *(8) - 3 qty. Double Attached Modwall (64-860045-xxx)
- *(9) - 2 qty. Single Attached Modwall (64-86005x-xxx)
- *(10) - 16 qty. Bar Stool (64-8601xx-xxx)

* **i** **NOTE!:** Optional Modwall requires additional 40-1/2"



12' Configuration D

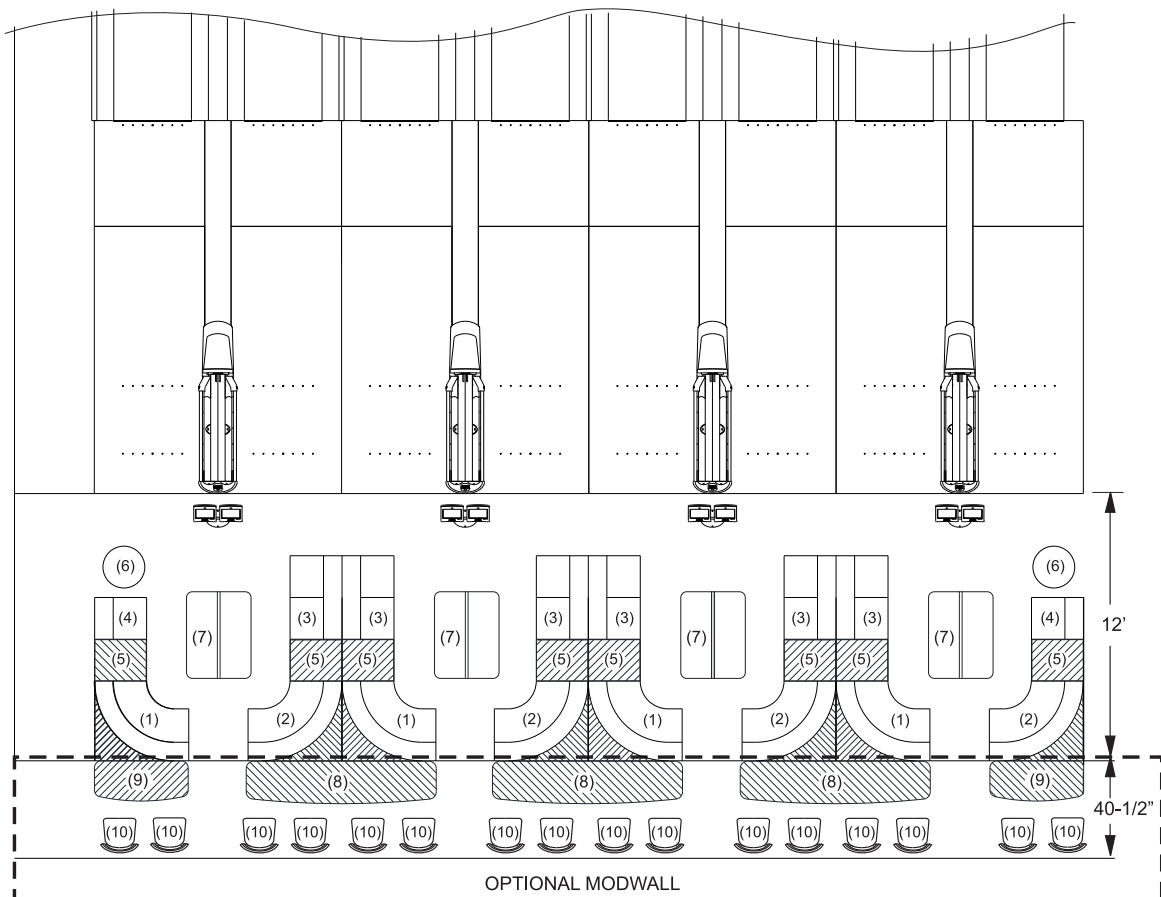
8 Lane Consists List:

- (1) - 4 qty. LH Corner w/Top (64-860001-XXX Backrest, 64-860003-XXX Cushion)
- (2) - 4 qty. RH Corner w/Top (64-860005-XXX Backrest, 64-860007-XXX Cushion)
- (3) - 6 qty. Double Seat (64-860011-XXX Backrest, 64-860012-XXX Cushion)
- (4) - 2 qty. Single Seat (64-860009-XXX Backrest, 64-860010-XXX Cushion)
- (5) - 8 qty. Modular Tables (64-860026-XXX Base, 64-860027-XXX Top)
- (6) - 2 qty. Ottoman (64-860029-XXX)
- (7) - 4 qty. Lg. Coffee Table (64-860039-XXX)

Optional Modwall

- * (8) - 3 qty. Double Attached Modwall (64-860045-xxx)
- * (9) - 2 qty. Single Attached Modwall (64-86005x-xxx)
- * (10) - 16 qty. Bar Stool (64-8601xx-xxx)

* **i** **NOTE!**: Optional Modwall requires additional 40-1/2"



12' Configuration E

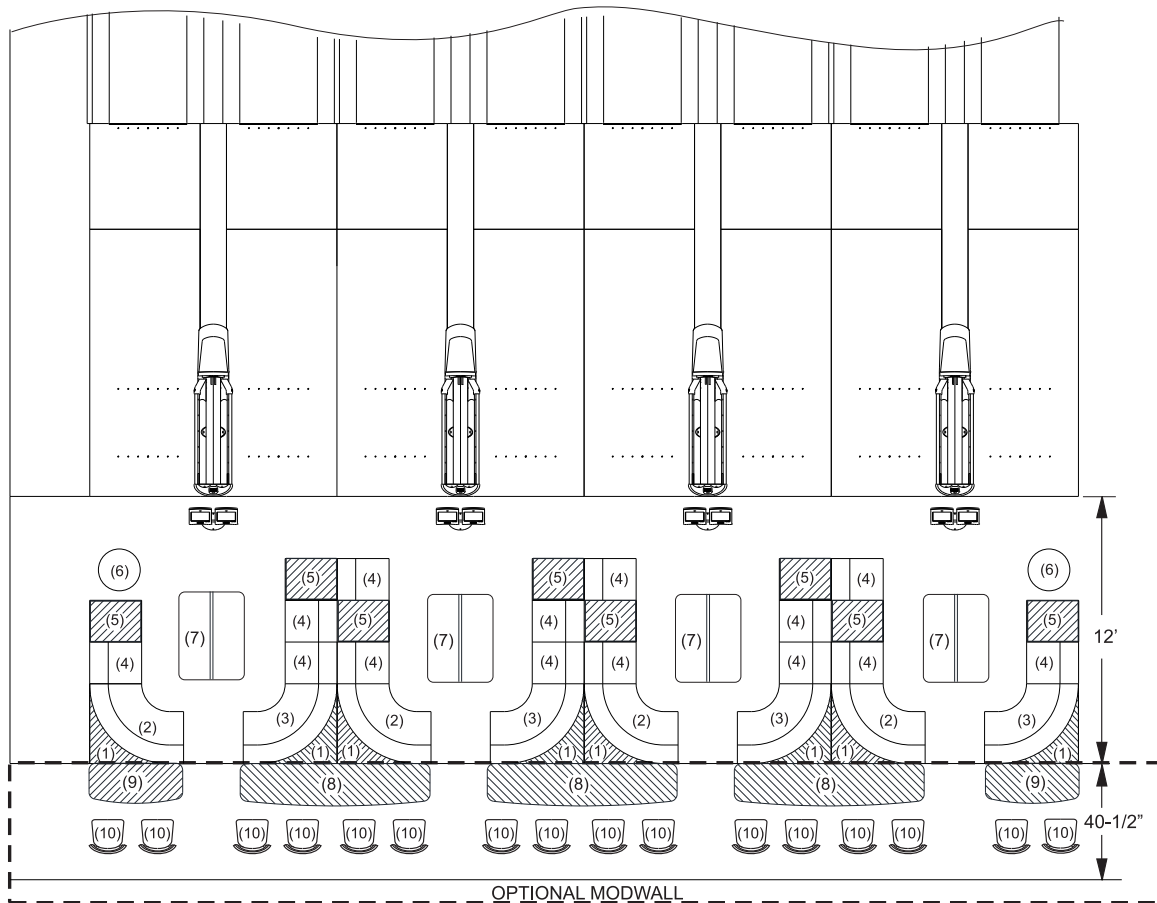
8 Lane Consists List:

- (1) - 8 qty. Corner Table Top (64-860004-XXX)
- (2) - 4 qty. LH Corner w/Top (64-860001-XXX Backrest, 64-860003-XXX Cushion)
- (3) - 4 qty. RH Corner w/Top (64-860005-XXX Backrest, 64-860007-XXX Cushion)
- (4) - 14 qty. Single Seat (64-860009-XXX Backrest, 64-860010-XXX Cushion)
- (5) - 8 qty. Modular Tables (64-860026-XXX Base, 64-860027-XXX Top)
- (6) - 2 qty. Ottoman (64-860029-XXX)
- (7) - 4 qty. Lg. Coffee Table (64-860039-XXX)

Optional Modwall

- *(8) - 3 qty. Double Attached Modwall (64-860045-xxx)
- *(9) - 2 qty. Single Attached Modwall (64-86005x-xxx)
- *(10) - 16 qty. Bar Stool (64-8601xx-xxx)

* **i** **NOTE!:** *Optional Modwall requires additional 40-1/2"*



12' Configuration F

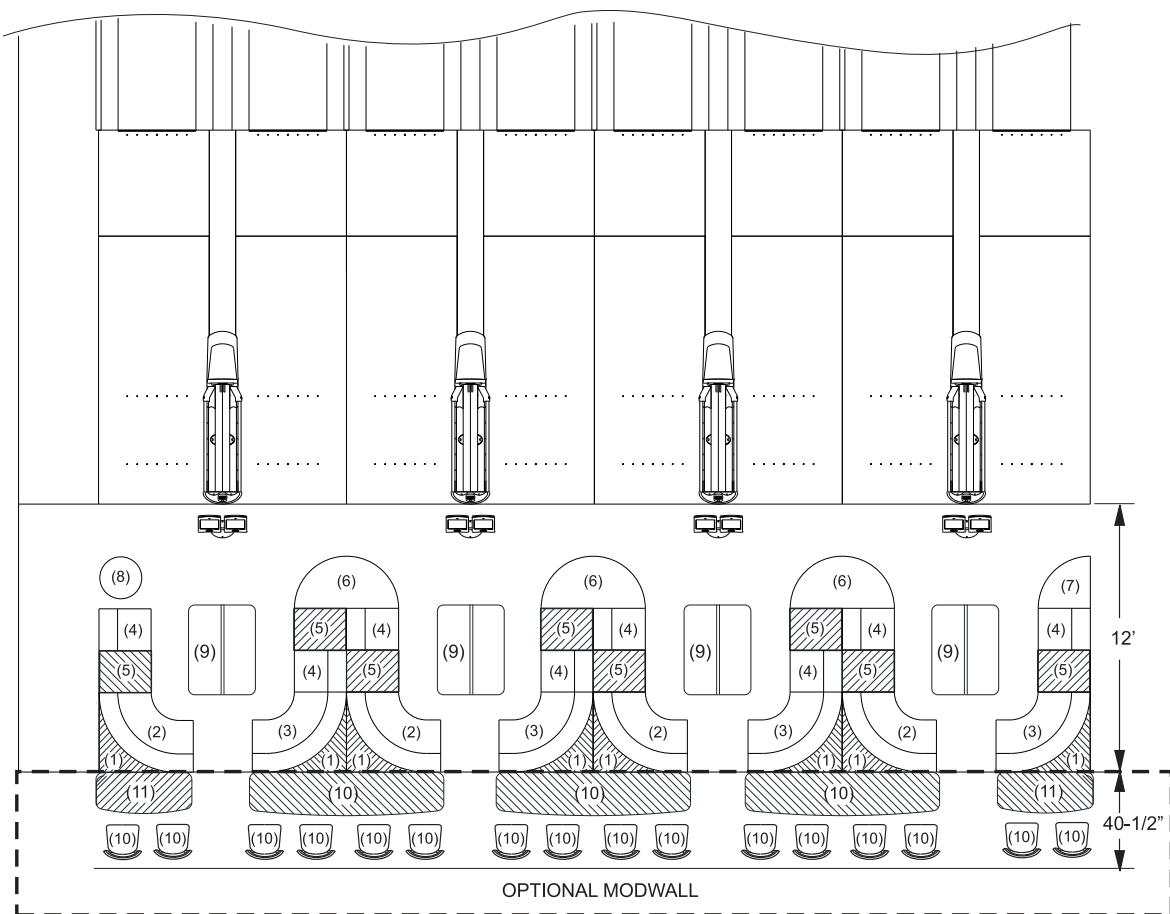
8 Lane Consists List:

- (1) - 8 qty. Corner Table Top (64-860004-XXX)
- (2) - 4 qty. LH Corner w/Top (64-860001-XXX Backrest, 64-860003-XXX Cushion)
- (3) - 4 qty. RH Corner w/Top (64-860005-XXX Backrest, 64-860007-XXX Cushion)
- (4) - 8 qty. Single Seat (64-860009-XXX Backrest, 64-860010-XXX Cushion)
- (5) - 8 qty. Modular Tables (64-860026-XXX Base, 64-860027-XXX Top)
- (6) - 3 qty. Half Moon Seat (64-860023-XXX Backrest, 64-860024-XXX Cushion)
- (7) - 1 qty. Quarter Moon Seat (64-860020-XXX Backrest, 84-860021-XXX Cushion)
- (8) - 1 qty. Ottoman (64-860029-XXX)
- (9) - 4 qty. Lg. Coffee Table (64-860039-XXX)

Optional Modwall

- *(10) - 3 qty. Double Attached Modwall (64-860045-xxx)
- *(11) - 2 qty. Single Attached Modwall (64-86005x-xxx)
- *(12) - 16 qty. Bar Stool (64-8601xx-xxx)

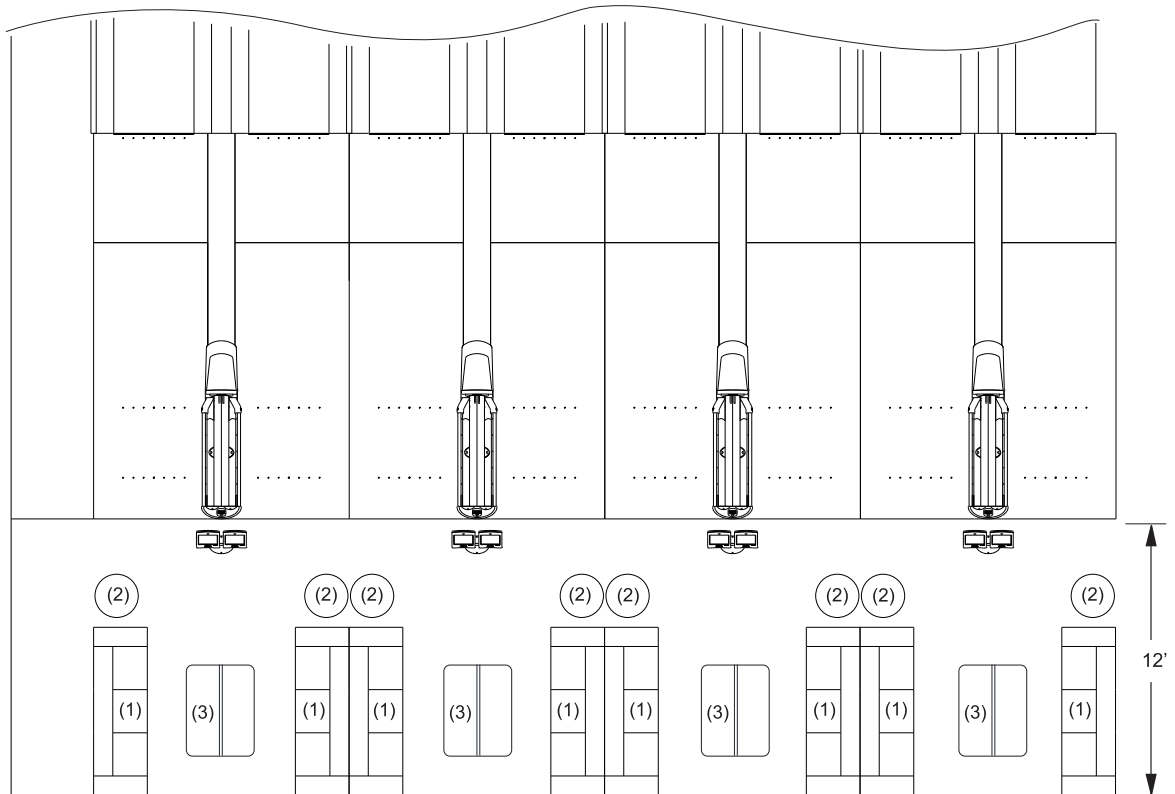
* **i** **NOTE!:** Optional Modwall requires additional 40-1/2"



12' Configuration G

8 Lane Consists List:

- (1) - 8 qty. Sofa (64-860031-XXX Backrest, 64-860032-XXX Cushion/Arms)
- (2) - 8 qty. Ottoman (64-860029-XXX)
- (3) - 4 qty. Lg. Coffee Table (64-860039-XXX)

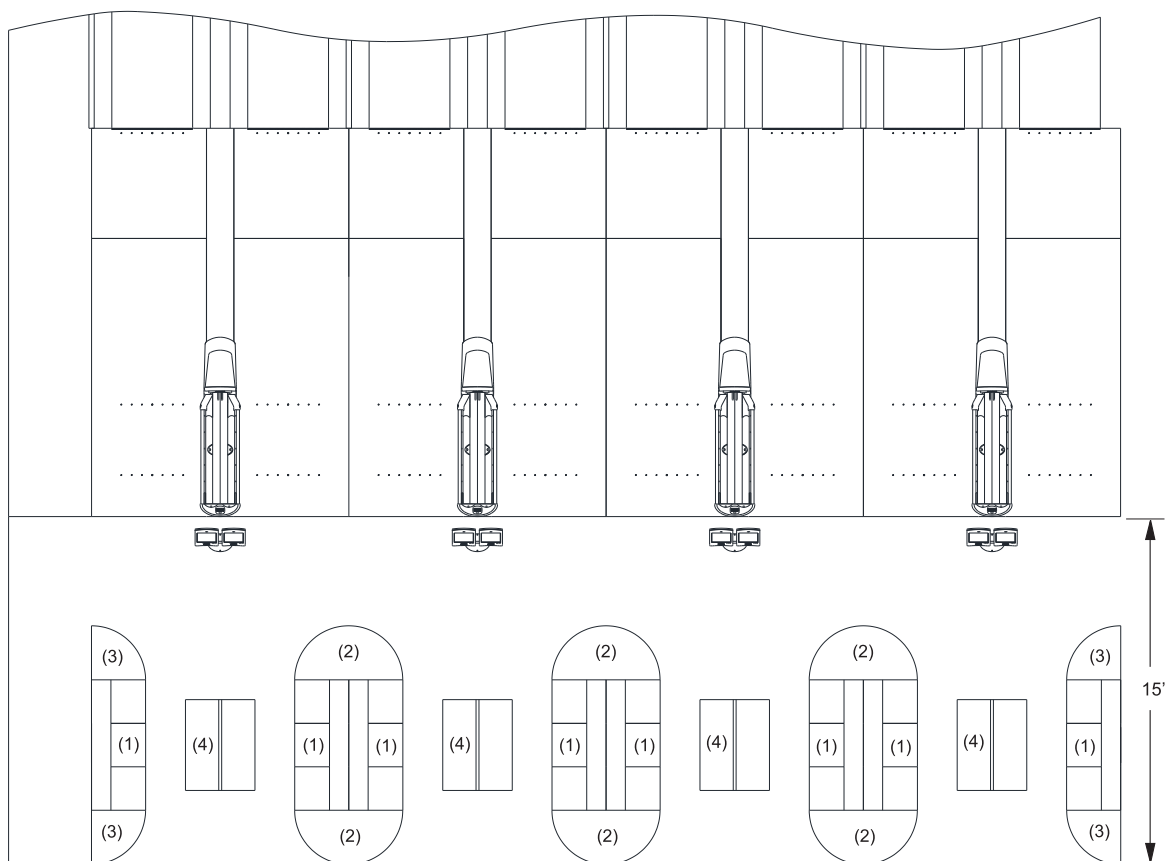


15' BOWLER'S AREA

15' Configuration A

8 Lane Consists List:

- (1) - 8 qty. Three Seat Unit (64-860013-XXX Backrest, 64-860014-XXX Cushion)
- (2) - 6 qty. Half Moon Seat (64-860023-XXX Backrest, 64-860024-XXX Cushion)
- (3) - 4 qty. Quarter Moon Seat (64-860020-XXX Backrest, 84-860021-XXX Cushion)
- (4) - 4 qty. Lg. Coffee Table (64-860039-XXX)



15' Configuration B

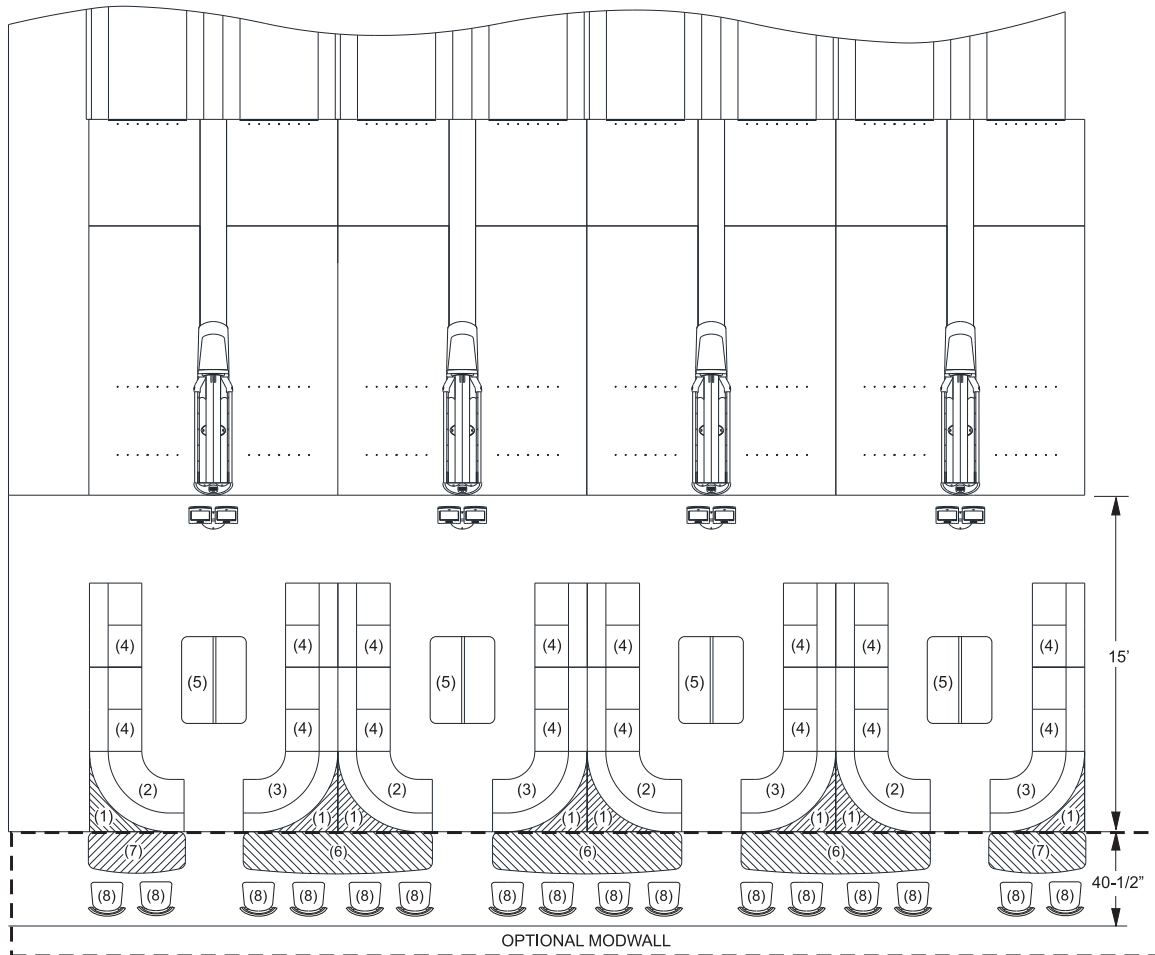
8 Lane Consists List:

- (1) - 8 qty. Corner Table Top (64-860004-XXX)
- (2) - 4 qty. LH Corner w/Top (64-860001-XXX Backrest, 64-860003-XXX Cushion)
- (3) - 4 qty. RH Corner w/Top (64-860005-XXX Backrest, 64-860007-XXX Cushion)
- (4) - 16 qty. Double Seat (64-860011-XXX Backrest, 64-860012-XXX Cushion)
- (5) - 4 qty. Lg. Coffee Table (64-860039-XXX)

Optional Modwall

- *(6) - 3 qty. Double Attached Modwall (64-860045-xxx)
- *(7) - 2 qty. Single Attached Modwall (64-86005x-xxx)
- *(8) - 6 qty. Bar Stool (64-8601xx-xxx)

* **i** **NOTE!:** *Optional Modwall requires additional 40-1/2"*



15' Configuration C

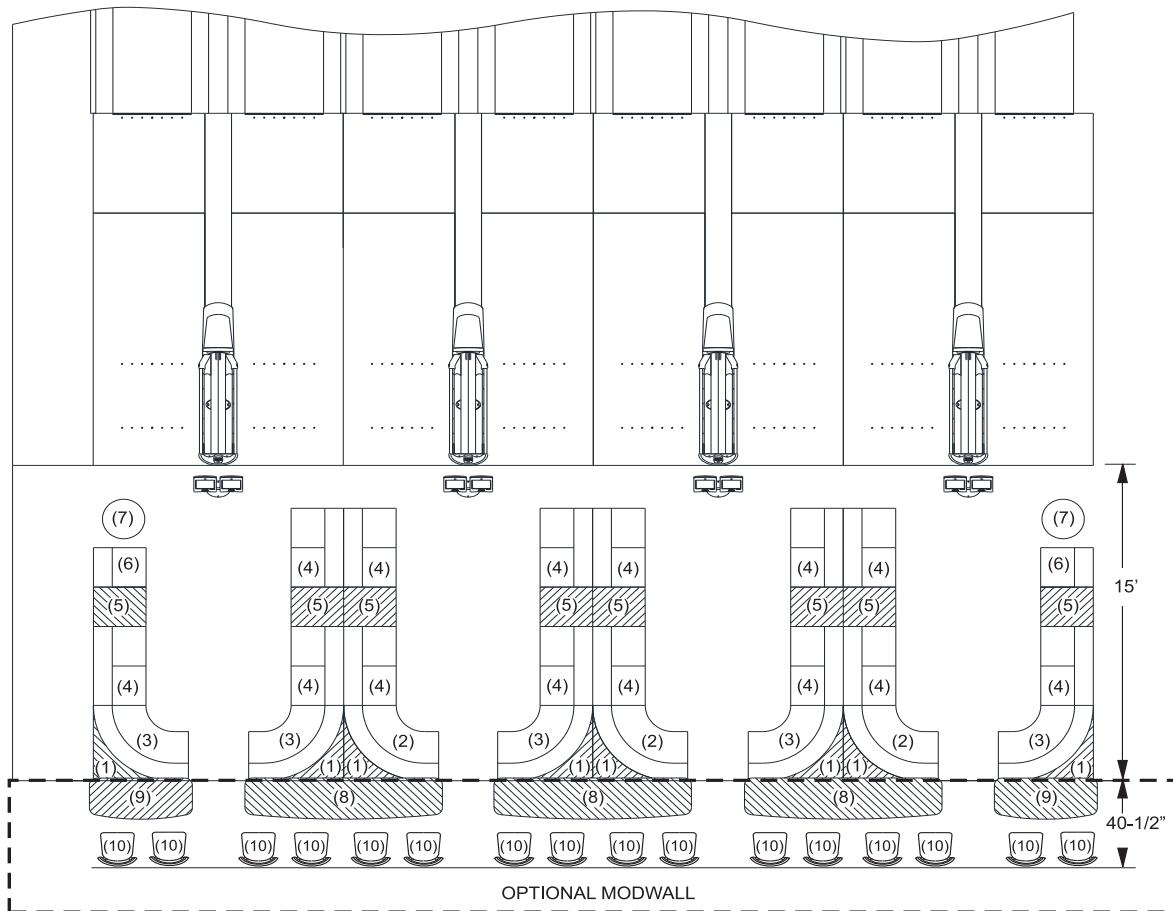
8 Lane Consists List:

- (1) - 8 qty. Corner Table Top (64-860004-XXX)
- (2) - 4 qty. LH Corner w/Top (64-860001-XXX Backrest, 64-860003-XXX Cushion)
- (3) - 4 qty. RH Corner w/Top (64-860005-XXX Backrest, 64-860007-XXX Cushion)
- (4) - 14 qty. Double Seat (64-860011-XXX Backrest, 64-860012-XXX Cushion)
- (5) - 8 qty. Modular Tables (64-860026-XXX Base, 64-860027-XXX Top)
- (6) - 2 qty. Single Seat (64-860009-XXX Backrest, 64-860010-XXX Cushion)
- (7) - 2 qty. Ottoman (64-860029-XXX)

Optional Modwall

- *(8) - 3 qty. Double Attached Modwall (64-860045-xxx)
- *(9) - 2 qty. Single Attached Modwall (64-86005x-xxx)
- *(10) - 16 qty. Bar Stool (64-8601xx-xxx)

* **i** **NOTE!:** *Optional Modwall requires additional 40-1/2"*



15' Configuration D

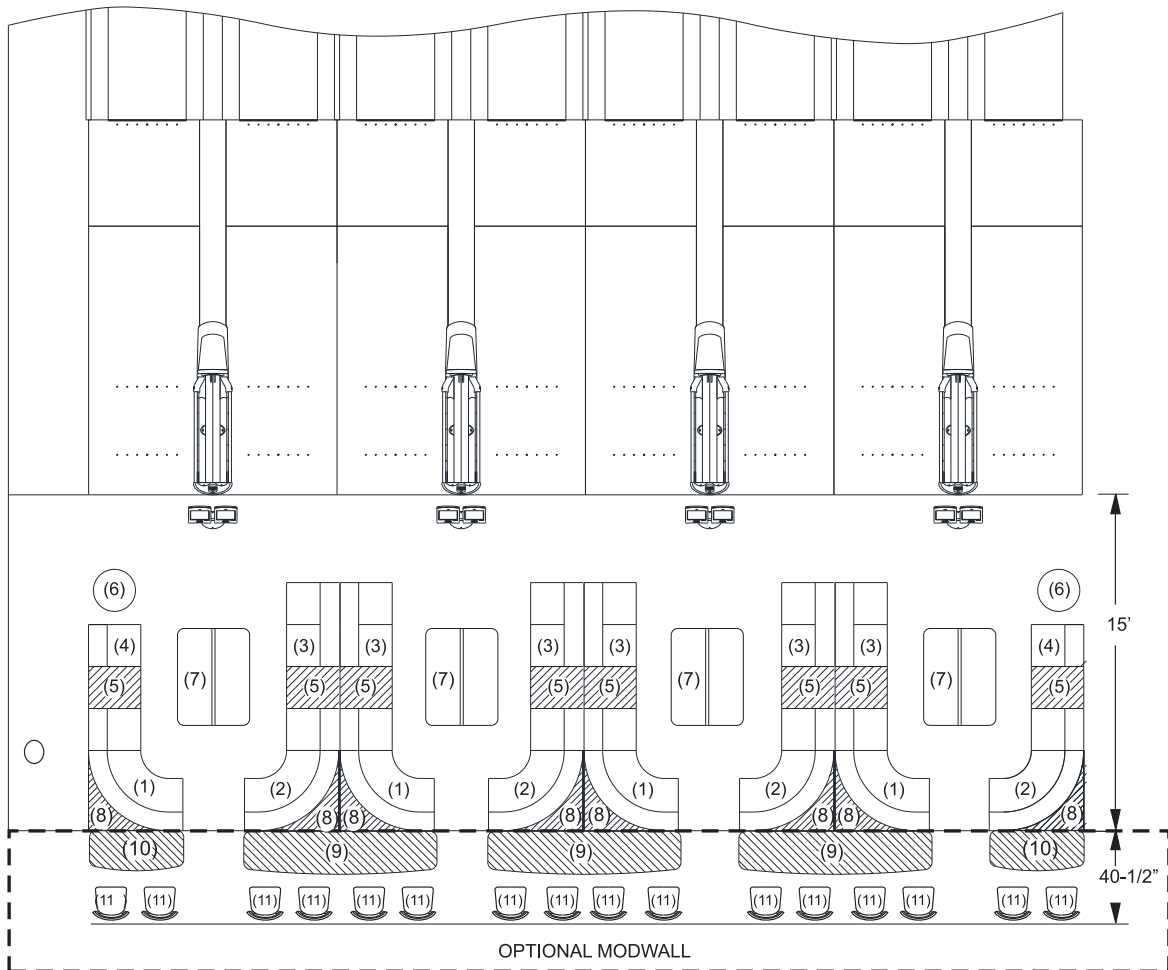
8 Lane Consists List:

- (1) - 4 qty. LH Corner w/Top (64-860001-XXX Backrest, 64-860003-XXX Cushion)
- (2) - 4 qty. RH Corner w/Top (64-860005-XXX Backrest, 64-860007-XXX Cushion)
- (3) - 6 qty. Double Seat (64-860011-XXX Backrest, 64-860012-XXX Cushion)
- (4) - 2 qty. Single Seat (64-860009-XXX Backrest, 64-860010-XXX Cushion)
- (5) - 8 qty. Modular Tables (64-860026-XXX Base, 64-860027-XXX Top)
- (6) - 2 qty. Ottoman (64-860029-XXX)
- (7) - 4 qty. Lg. Coffee Table (64-860039-XXX)
- (8) - 8 qty. Corner Table Top (64-860004-XXX)

Optional Modwall

- * (9) - 3 qty. Double Attached Modwall (64-860045-xxx)
- * (10) - 2 qty. Single Attached Modwall (64-86005x-xxx)
- * (11) - 16 qty. Bar Stool (64-8601xx-xxx)

* **i** **NOTE!**: Optional Modwall requires additional 40-1/2"



15' Configuration E

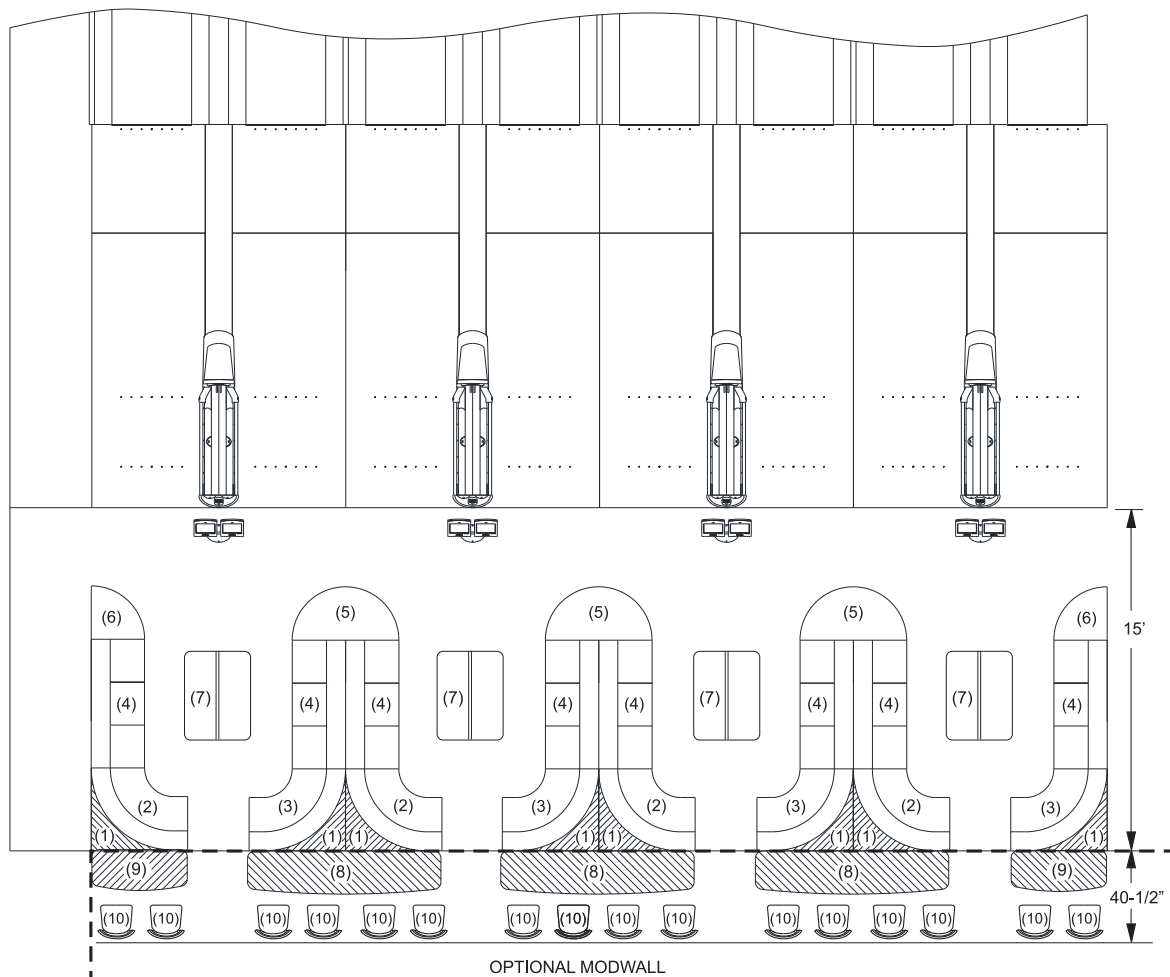
8 Lane Consists List:

- (1) - 8 qty. Corner Table Top (64-860004-XXX)
- (2) - 4 qty. LH Corner w/Top (64-860001-XXX Backrest, 64-860003-XXX Cushion)
- (3) - 4 qty. RH Corner w/Top (64-860005-XXX Backrest, 64-860007-XXX Cushion)
- (4) - 8 qty. Three Seat Unit (64-860013-XXX Backrest, 64-860014-XXX Cushion)
- (5) - 3 qty. Half Moon Seat (64-860023-XXX Backrest, 64-860024-XXX Cushion)
- (6) - 2 qty. Quarter Moon Seat (64-860020-XXX Backrest, 84-860021-XXX Cushion)
- (7) - 4 qty. Lg. Coffee Table (64-860039-XXX)

Optional Modwall

- *(8) - 3 qty. Double Attached Modwall (64-860045-xxx)
- *(9) - 2 qty. Single Attached Modwall (64-86005x-xxx)
- *(10) - 16 qty. Bar Stool (64-8601xx-xxx)

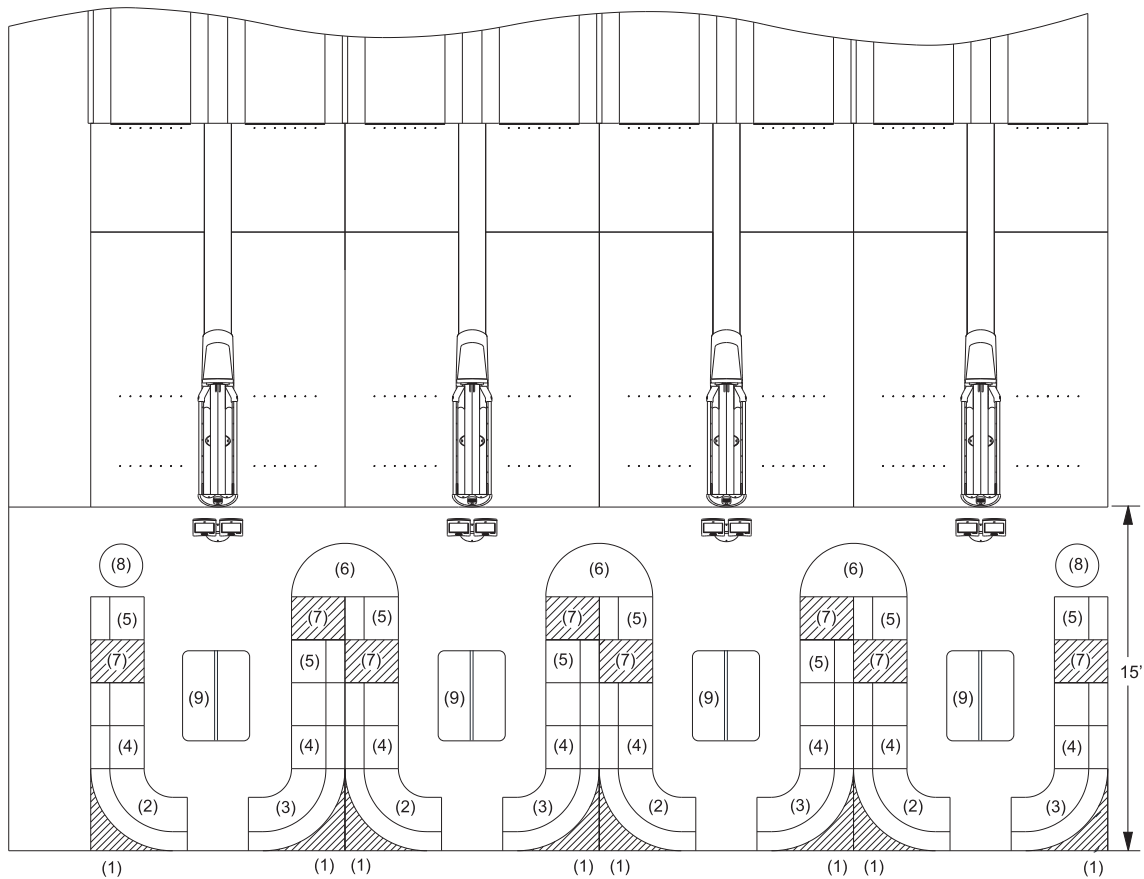
* **i** **NOTE!**: Optional Modwall requires additional 40-1/2"



15' Configuration F

8 Lane Consists List:

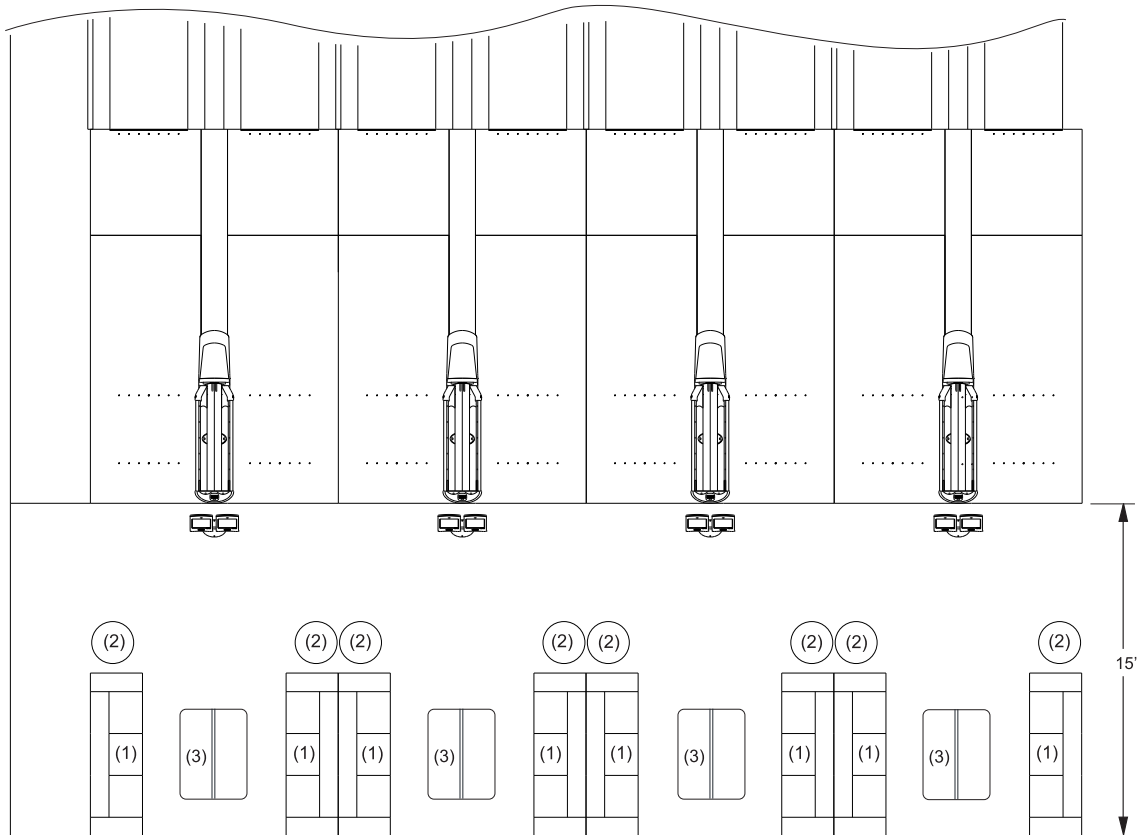
- (1) - 8 qty. Corner Table Top (64-860004-XXX)
- (2) - 4 qty. LH Corner w/Top (64-860001-XXX Backrest, 64-860003-XXX Cushion)
- (3) - 4 qty. RH Corner w/Top (64-860005-XXX Backrest, 64-860007-XXX Cushion)
- (4) - 8 qty. Double Seat (64-860011-XXX Backrest, 64-860012-XXX Cushion)
- (5) - 8 qty. Single Seat (64-860009-XXX Backrest, 64-860010-XXX Cushion)
- (6) - 3 qty. Half Moon Seat (64-860023-XXX Backrest, 64-860024-XXX Cushion)
- (7) - 8 qty. Modular Tables (64-860026-XXX Base, 64-860027-XXX Top)
- (8) - 2 qty. Ottoman (64-860029-XXX)
- (9) - 4 qty. Lg. Coffee Table (64-860039-XXX)



15' Configuration G

8 Lane Consists List:

- (1) - 8 qty. Sofa (64-860031-XXX Backrest, 64-860032-XXX Cushion/Arms)
- (2) - 8 qty. Ottoman (64-860029-XXX)
- (3) - 4 qty. Lg. Coffee Table (64-860039-XXX)



Color Charts

WOOD COLORS

WOOD COLOR CHART	
Suffix	Color
001	Sugar Maple
002	Honey Maple
003	Oiled Cherry
004	Walnut
005	Mahogany
006	Witchcraft

CLOTH COLORS

CLOTH COLOR CHART	
Suffix	Color
198	Spirit Millennium Adobe White
199	Spirit Millennium Sage
200	Spirit Millennium Bisque
201	Spirit Millennium British Tan
202	Spirit Millennium Blue Ridge
203	Spirit Millennium Imperial Blue
204	Spirit Millennium Wedgewood
205	Spirit Millennium Dusty Jade
206	Spirit Millennium Artichoke
207	Spirit Millennium Dove
208	Spirit Millennium Bronze
209	Spirit Millennium Graphite
210	Spirit Millennium American Beauty
211	Spirit Millennium Paprika
212	Spirit Millennium Dark Purple
213	Spirit Millennium Burgundy
214	Spirit Millennium Fjord Blue
215	Spirit Millennium Camel
216	Spirit Millennium Gray Moss
217	Spirit Millennium Black
218	Spirit Millennium Alabaster
219	Spirit Millennium Taupe
220	Spirit Millennium Bone
221	Spirit Millennium Putty
222	Spirit Millennium Greystone

CLOTH COLOR CHART	
Suffix	Color
223	Spirit Millennium Gunmetal
224	Spirit Millennium Mocha
225	Spirit Millennium Rustic Brown
226	Spirit Millennium Sand
227	Spirit Millennium Vicuna
229	Spirit Millennium Terra Cotta
230	Spirit Millennium Cinnamon
231	Spirit Millennium Deep Violet
232	Spirit Millennium Alpine
233	Spirit Millennium Royal
234	Spirit Millennium Dark Cherry
235	Spirit Millennium Mandarin Orange
236	Spirit Millennium Olive Green
237	Spirit Millennium Plum
238	Spirit Millennium Cinnabar
239	Spirit Millennium Gingersnap
240	Spirit Millennium Claret
241	Spirit Millennium Concord
242	Spirit Millennium Froth
243	Spirit Millennium Shell
244	Spirit Millennium Woodrose
245	Spirit Millennium Dewberry
246	Spirit Millennium Ivory
247	Spirit Millennium Doe
248	Spirit Millennium Oak

CLOTH COLOR CHART	
Suffix	Color
249	Spirit Millennium Chestnut
250	Spirit Millennium Sun Yellow
251	Spirit Millennium Golden Corn
252	Spirit Millennium Goldenrod
253	Spirit Millennium Coral Sand
254	Spirit Millennium Forest
255	Spirit Millennium Peach
256	Spirit Millennium Tomato
257	Spirit Millennium Pink
258	Spirit Millennium Rose
259	Spirit Millennium Sunset
260	Spirit Millennium Tea Rose
261	Spirit Millennium Mauve
262	Spirit Millennium Lilac
263	Spirit Millennium Rosalee
264	Spirit Millennium Raspberry
265	Spirit Millennium Rouge Red
266	Spirit Millennium Sangria
268	Spirit Millennium Dutch Blue
269	Spirit Millennium Crocus
270	Spirit Millennium Grape
271	Spirit Millennium Espresso
272	Spirit Millennium Capri Blue
273	Spirit Millennium Bristol Blue
274	Spirit Millennium Space Blue
275	Spirit Millennium Sky Blue
276	Spirit Millennium Regimental Blue
277	Spirit Millennium Turquoise
278	Spirit Millennium Surf
279	Spirit Millennium Northwoods
280	Spirit Millennium China Green
281	Spirit Millennium Grotto
282	Spirit Millennium Yew Green
283	Spirit Millennium Parchment
284	Spirit Millennium Emerald
285	Cover Cloth Oat
286	Cover Cloth Antique
287	Cover Cloth Zest
288	Cover Cloth Heirloom

CLOTH COLOR CHART	
Suffix	Color
289	Cover Cloth Sorrel
290	Cover Cloth Cyan
291	Cover Cloth Navel
292	Cover Cloth Fuchsia
293	Cover Cloth Shire
294	Cover Cloth Delft
295	Cover Cloth Savor
296	Cover Cloth Platinum
297	Cover Cloth Taupe
298	Cover Cloth Electric
299	Cover Cloth Flame
300	Cover Cloth Vessel
301	Cover Cloth Taiga
302	Cover Cloth Indigo
303	Cover Cloth Bouquet
304	Cover Cloth Hickory
305	Cover Cloth Coffee
306	Cover Cloth Vesper
307	Cover Cloth Graphite
308	Cover Cloth Jet
382	Amuse Admiral
383	Amuse Alloy
384	Amuse Mocha
385	Amuse Poppy
386	Amuse Quartz
387	Focal Alert
388	Focal Carbon
389	Focal Chocolate
390	Focal Citron
391	Focal Hudson
392	Focal Lemon
393	Focal Linen
394	Focal Metro
395	Focal Terrace
396	Free Evening
397	Free Graphite
398	Free Oasis
399	Free Orbit
400	Free Pearl
401	N/A

CLOTH COLOR CHART		CLOTH COLOR CHART	
Suffix	Color	Suffix	Color
402	Free Platinum	438	Strut Plateau
403	Habit Blueprint	439	Strut Zeal
404	Habit Dune	440	Synergy Aegean
405	Habit Kindle	441	Synergy Balsamic
406	Habit Pier	442	Synergy Barley
407	Habit Salt	443	Synergy Bedrock
408	Habit Tailor	444	Synergy Carbon
409	Free Cocoa	445	Synergy Denim
410	Knack Brisk	446	Synergy Lichen
411	Knack Carbon	447	Synergy Meadow
412	Knack	448	Synergy Otter
413	Dark Roast	449	Synergy Pecan
414	Knack Filament	450	Synergy Sandstone
415	Knack Fresco	451	Synergy Seaglass
416	Knack Glaze	452	Synergy Tango
417	Knack Reed		
418	Knack Sax		
419	Knack Teak		
420	Knack Wave		
421	Knack Zest		
422	Knack Zing		
423	Ledge Dali		
424	Ledge Firenze		
425	Ledge Seneca		
426	Ledge Verdi		
427	Strut Area		
428	Strut Astral		
429	Strut Chai		
430	Strut Climate		
431	Strut Coast		
432	Strut Engine		
433	Strut Galvanize		
434	Strut Isle		
435	Strut Koa		
436	Strut Mission		
437	Strut Pepper		