

6 & 8 Ball Storage Racks

Overview

A line will be drawn on the approach surface marking the center line of the Framework ball rack from the pedestal base edge to the approach edge. Two other marks will be made to locate the wood type fastener inserts. Holes will be drilled in the approach and the inserts installed. The ball rack will be located and Allen head cap screws will be installed to secure the storage rack to the approach.

i **IMPORTANT: Space Requirements** - A minimum distance of 28" (711 mm) from the pedestal base edge to approach edge is needed for proper installation.

Packaging 6 Ball Storage Racks

53-861133-606 Pkg. Frameworkx Ball Return 6 Ball Storage Rack (Silver)

- (2) ea. 11-095011-000 Insert, Wood, Hex Drive 3/8-16 x 1.181"
- (2) ea. 53-400301-001 Button Head Socket Screw 3/8-16 x 2.25"
- (1) ea. 53-400706-100 6 Ball Storage Rack Assembly (Silver)
- (1) ea. 53-900282-000 Installation Instructions

53-861147-606 Pkg. Frameworkx Ball Return 6 Ball Storage Rack (Dark Gray)

- (2) ea. 11-095011-000 Insert, Wood, Hex Drive 3/8-16 x 1.181"
- (2) ea. 53-400301-001 Button Head Socket Screw 3/8-16 x 2.25"
- (2) ea. 53-400706-000 6 Ball Storage Rack Assembly (Dark Gray)
- (1) ea. 53-900282-000 Installation Instructions

Packaging 8 Ball Storage Racks

53-861133-608 Pkg. Frameworkx Ball Return 8 Ball Storage Rack (Silver)

- (2) ea. 11-095011-000 Insert, Wood, Hex Drive 3/8-16 x 1.181"
- (2) ea. 53-400301-001 Button Head Socket Screw 3/8-16 x 2.25"
- (2) ea. 53-400709-100 6 Ball Storage Rack Assembly (Silver)
- (1) ea. 53-900282-000 Installation Instructions

53-861147-608 Pkg. Frameworkx Ball Return 8 Ball Storage Rack (Dark Gray)

- (2) ea. 11-095011-000 Insert, Wood, Hex Drive 3/8-16 x 1.181"
- (2) ea. 53-400301-001 Button Head Socket Screw 3/8-16 x 2.25"
- (2) ea. 53-400709-000 8 Ball Storage Rack Assembly (Dark Gray)
- (1) ea. 53-900282-000 Installation Instructions

Tools Required

36" Straight Edge

Tape Measure

Pencil

Electric Drill

3/8" Ratchet Wrench

5/16" Allen Socket, 3/8" Drive

10 mm Allen Socket, 3/8" Drive

5/8" (16 mm) Drill Bit

3/4" (19 mm) Drill Bit (Synthetic Approaches only)

Instructions for 6 & 8 Ball Storage Rack

Fastener Insert Location

1. Place a 36" (914 mm) long straight edge against the pedestal base plate edge keep straight edge parallel to the board lines of the approach. Refer to *Figure 1*.

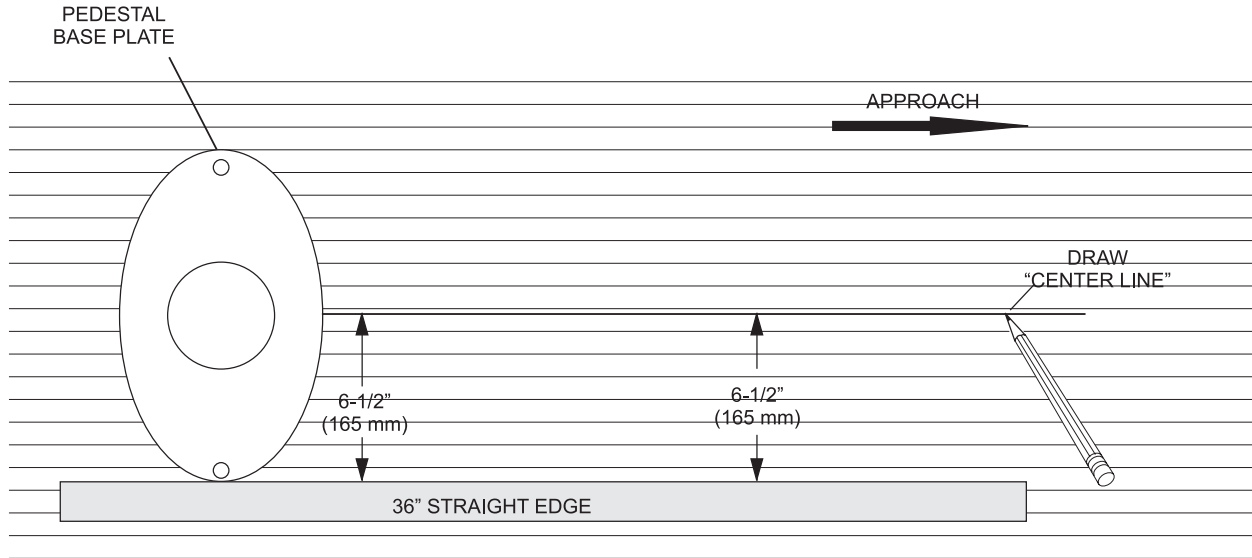


Figure 1

2. Make a mark 6-1/2" (165 mm) from the straight edge near the pedestal base plate and also near the back edge of the approach. Refer to *Figure 1*.
3. Align the straight edge on the marks made in step 2 and use a pencil to draw a "Center Line" from the pedestal base plate toward the approach edge. Do not make line too dark as it will be erased later. Refer to *Figure 1*.
4. From the pedestal base plate rear edge carefully measure and mark 4-1/8" (105 mm) on the "Center Line" drawn earlier. Refer to *Figure 2*.

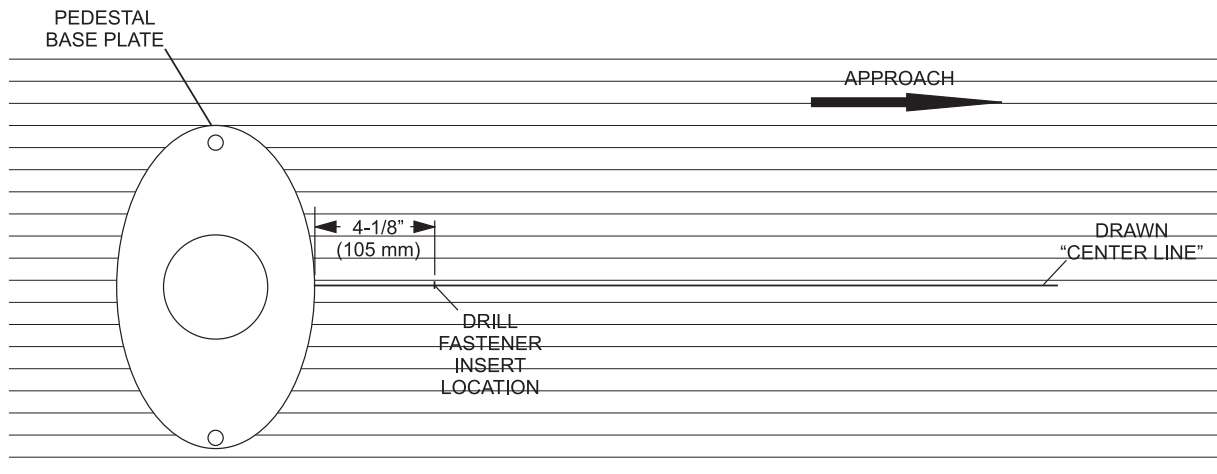


Figure 2

- Center the ball rack on the “Center Line” drawn earlier and align the first ball rack mounting hole with the mark made previously, then use ball rack as a template to mark second mounting hole on the “Center Line”. Refer to *Figure 3*.

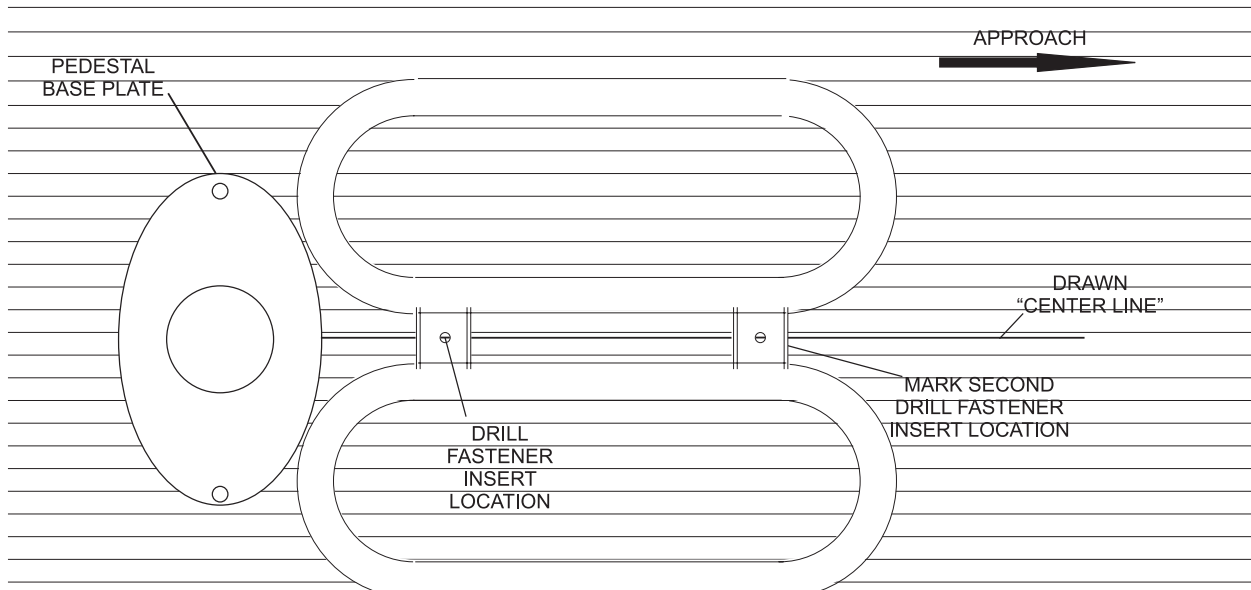


Figure 3

Fastener Insert Installation

- Use a power drill with 5/8” (16 mm) bit to drill completely through the approach surface at the marked insert locations. Refer to *Figures 2 , 3 & 4*.

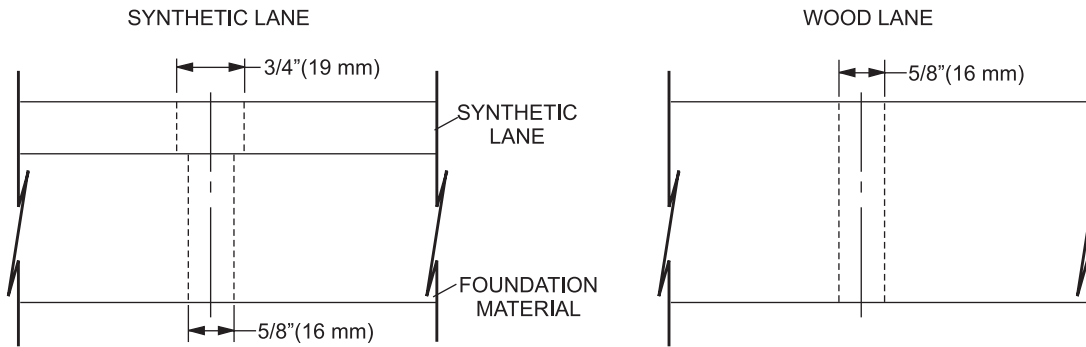


Figure 4



WARNING! Caution must be used not to damage any electrical wires or conduits that may exist beneath the approach surface (if synthetic approaches, a 3/4” [19 mm] hole must be drilled through the laminate material only, prior to drilling a 5/8” [16 mm] hole).

- Install the fastener inserts (11-095011-000) by orienting the insert with the hex head up. Use a 10 mm hex socket with ratchet wrench to screw the insert into the approach surface until insert is slightly beneath the surface level (if insert is left above the surface it will interfere with proper installation).

Secure Ball Rack to Floor

1. Use a dampened towel to erase pencil marks made previously.
2. Place the ball rack on the approach locating the mounting holes in the ball racks brackets directly over the fastener inserts.
3. Secure rack to floor with 3/8-16 x 2-1/4" (57 mm) button head cap screws (53-400301-001). Refer to *Figure 5*.

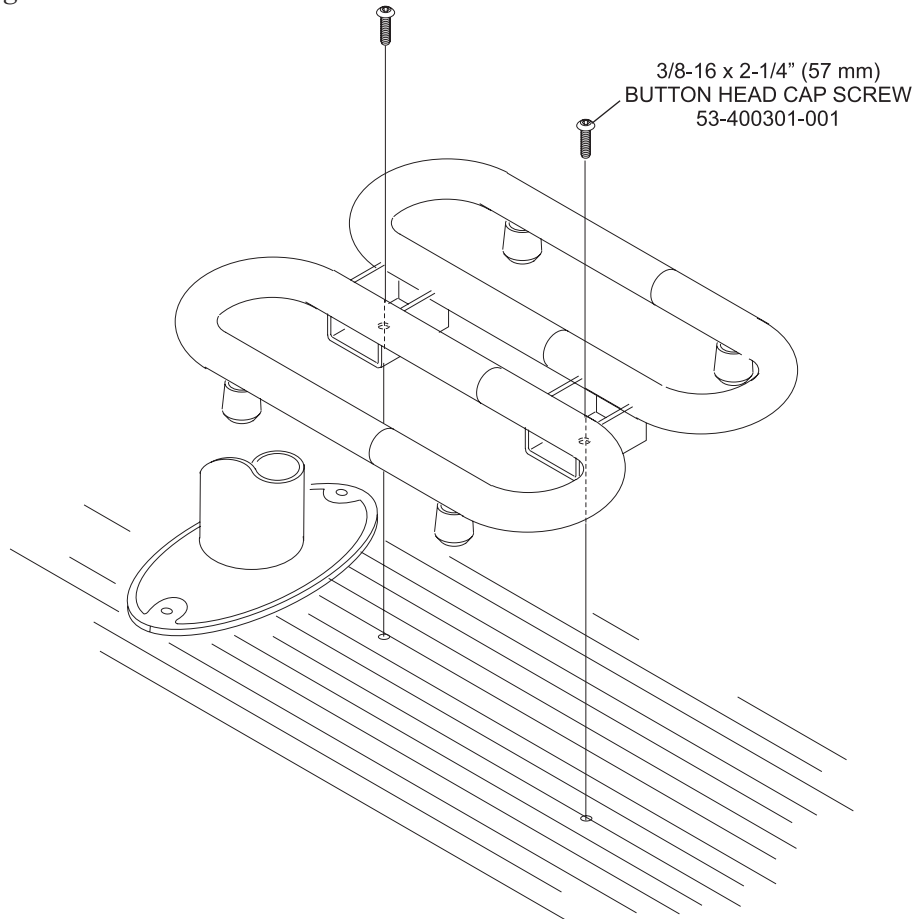


Figure 5