

## Chair Swivel

### Packaging

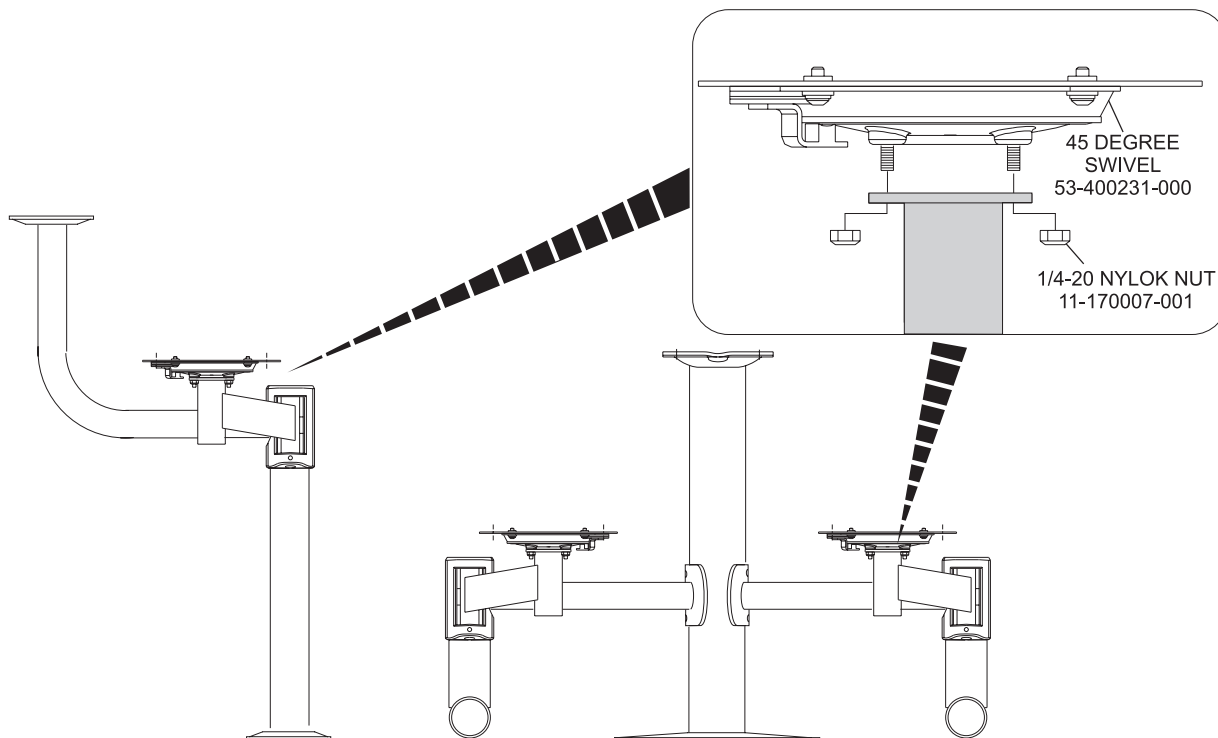
QTY.	Part Number	Description
1	53-400231-000	45 Degree Chair Swivel
4	11-170007-001	1/4-20 Nylon Lock Nut
4	11-190010-001	1/4 Washer
4	11-009565-001	1/4-20 x 5/8" (16 mm) Hex Head Screw



**WARNING!** The installation of the 45 Degree Chair Swivel (53-400231-000) is required. Potential personal injury could result if the 45 Degree Chair Swivel (53-400231-000) is not installed

### Installation

1. Remove the existing chair swivel.
2. Install the new 45 Degree Chair Swivel (53-400231-000) to the weldment with four 1/4-20 nylon lock nuts (11-170007-001). Refer to *Figure 1*.

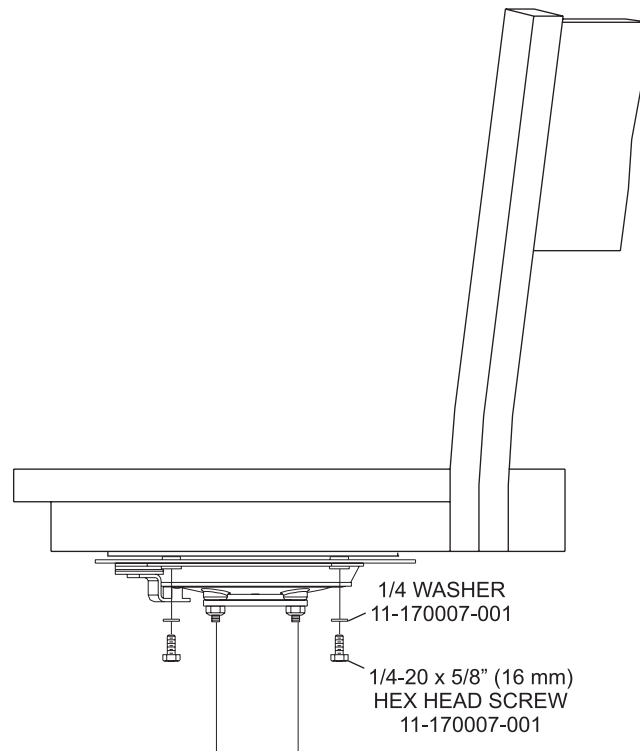


*Figure 1*



**WARNING:** Use a torque wrench to tighten the four 1/4-20 nylon lock nuts (11-170007-001) to 75 inch/lbs (8.48Nm).

3. Install the chair to the 45 Degree Swivel with four 1/4-20 x 5/8" (16 mm) hex head screws (11-170007-001) and four 1/4 washers (11-190010-001). Refer to *Figure 2*.



*Figure 2*



**WARNING:** Use a torque wrench to tighten the four 1/4-20 x 5/8" (16 mm) hex head screws (11-009565-001) to 75 inch/lbs (8.48Nm)