

Dual Pedestal Table

Packaging

1 ea.	53-861054-xxx	Table Top
1 ea.	53-861663-xxx	Package
2 ea.	53-400712-xxx	Clamp
1 ea.	53-400713-xxx	R.H. Bracket
1 ea.	53-400714-xxx	L.H. Bracket
4 ea.	11-170009-xxx	5/16-18 Locknut
8 ea.	11-191010-001	1/4 Flat Washer
4 ea.	11-006184-000	1/4-20 x 1" Screw
1 ea.	57-900217-000	Instruction Sheet

Tools Required

- Wrench - 1/2"
- Allen Wrench - 5/32"

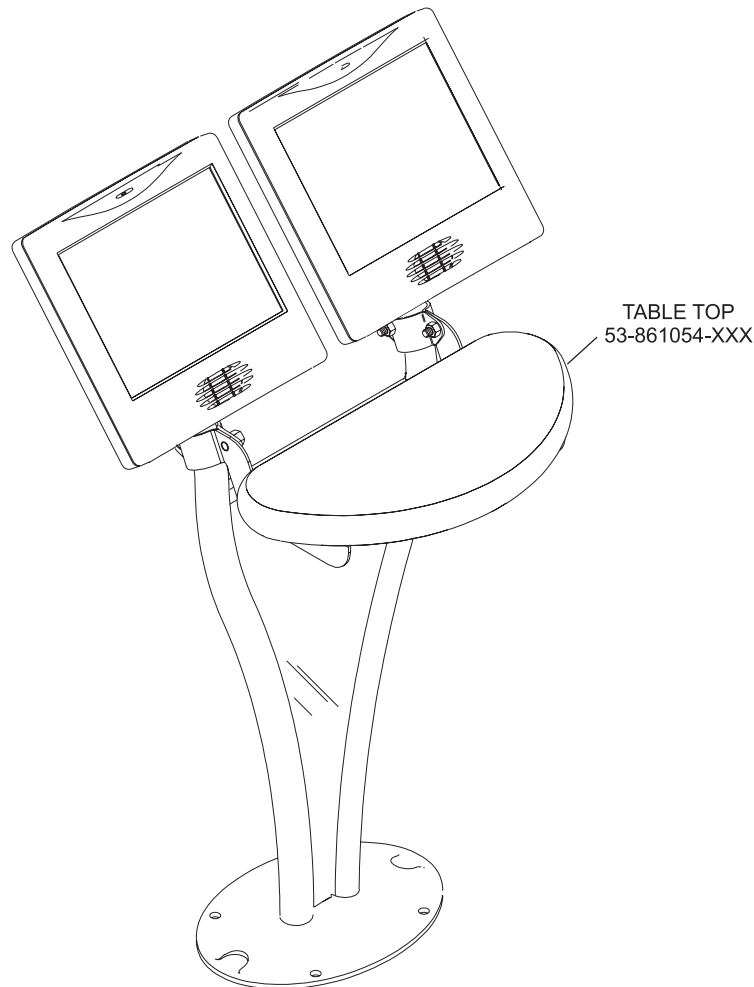


Figure 1

Installation

1. Install the clamps and brackets to the dual pedestal support tubes. Alternately tighten the 5/16-18 lock nuts to maintain equal space between the clamps and brackets. Refer to *Figure 2*.

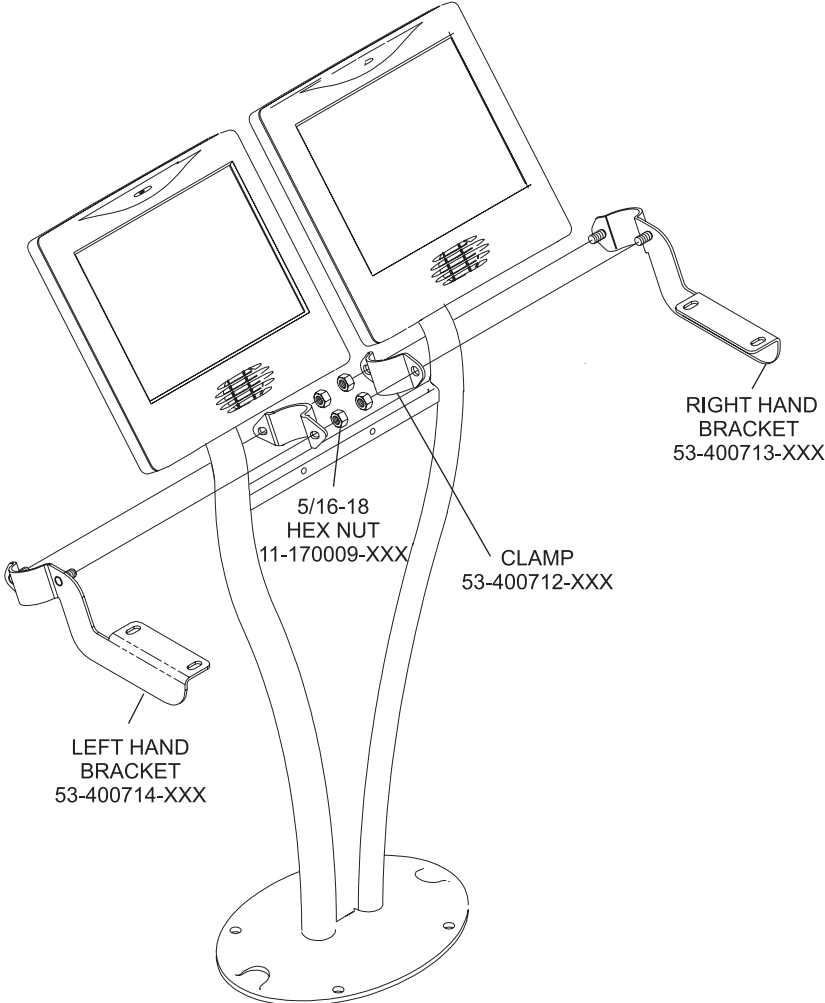


Figure 2

2. Install the table top with 1/4" washer and the 1/4-20 x 1" screws. Refer to *Figure 3*.



NOTE: Extra 1/4" washers are provided for leveling the table top if necessary.

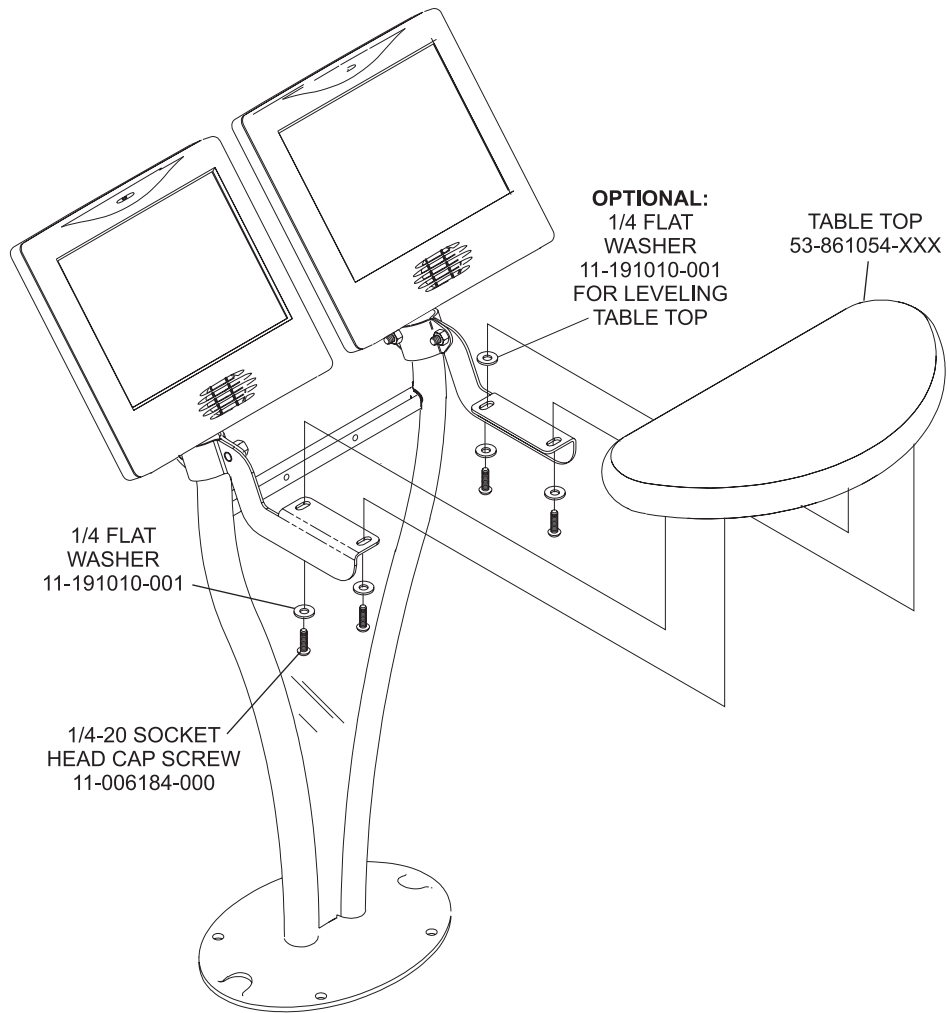


Figure 3