

Striking Line Modwall Trash Can Upgrade

Remove Ball Rack to be Replaced with Trash Can

1. Support end of modwall being modified with block or scrap wood. Refer to *Figure 1*.

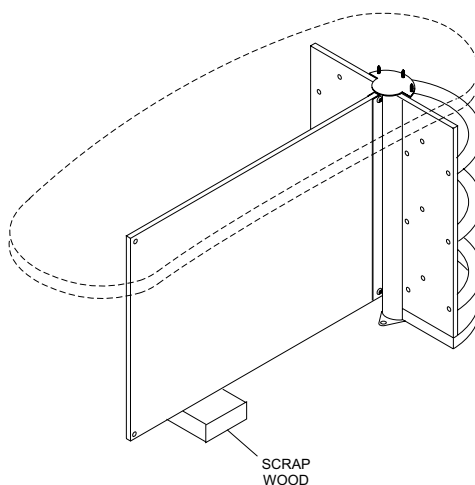


Figure 1

2. Remove existing ball rack.

Install New Trash Can Support

1. Secure base to new Trash Can Support (P/N 54-200017-000) with M8 x 30 flat head C.R. screws (P/N 11-052553-001). Refer to *Figure 2*.

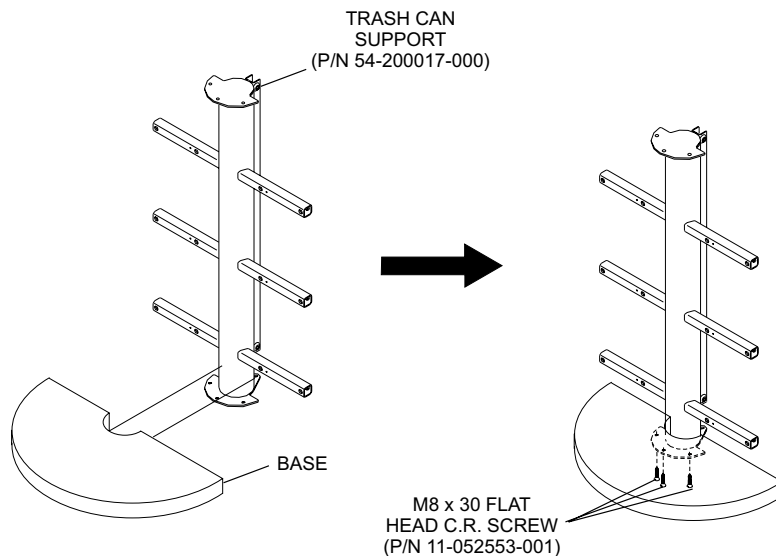


Figure 2

- Slide new trash can support and base assembly under table top and secure to table top with M8 x 30 flat head C.R. screws (P/N 11-052553-001). Refer to *Figure 3*.

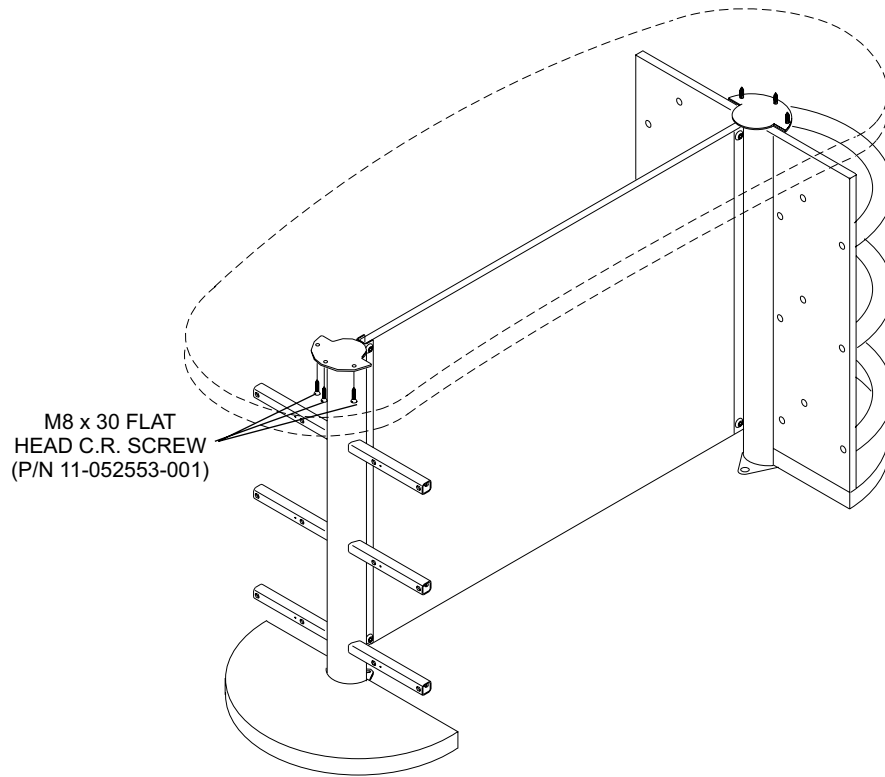


Figure 3

- Secure center panel to new trash can support with M6 x 40 button head screws (P/N 11-054807-004) and M6 dome hex nut (P/N 11-055526-004). Refer to *Figure 4*.

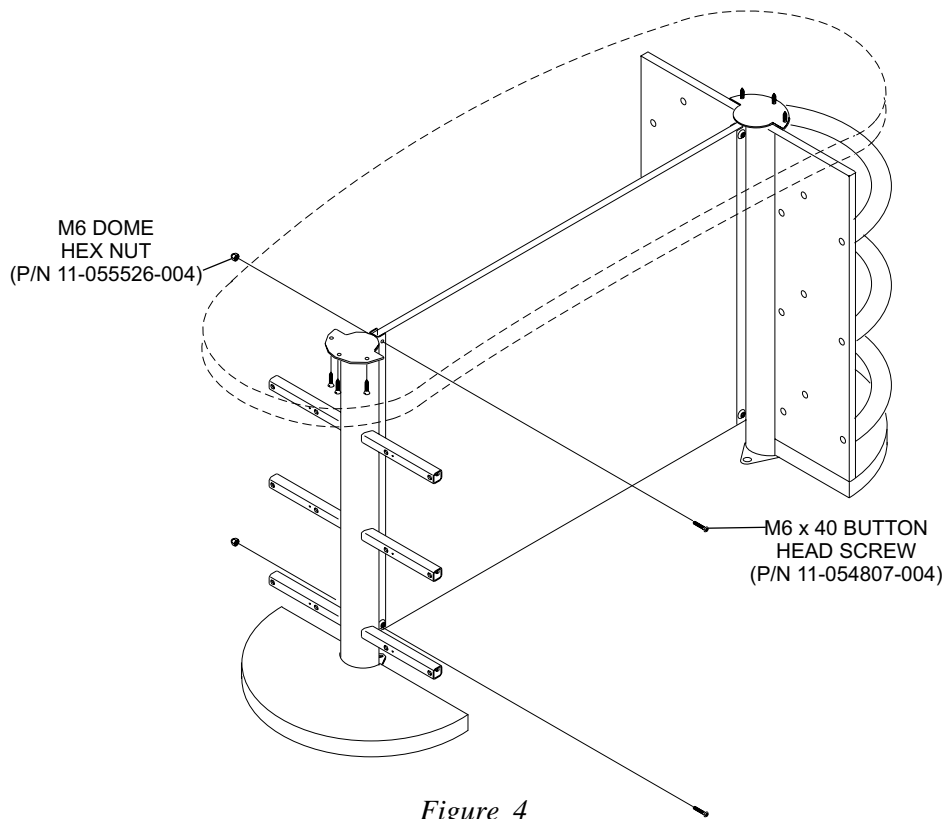


Figure 4

Install Left Hand Wood Panel

1. Secure new left hand wood panel (P/N 54-200053-xxx) to trash can support with M8 x 40 button head screws (P/N 11-054811-004). Refer to *Figure 5*.

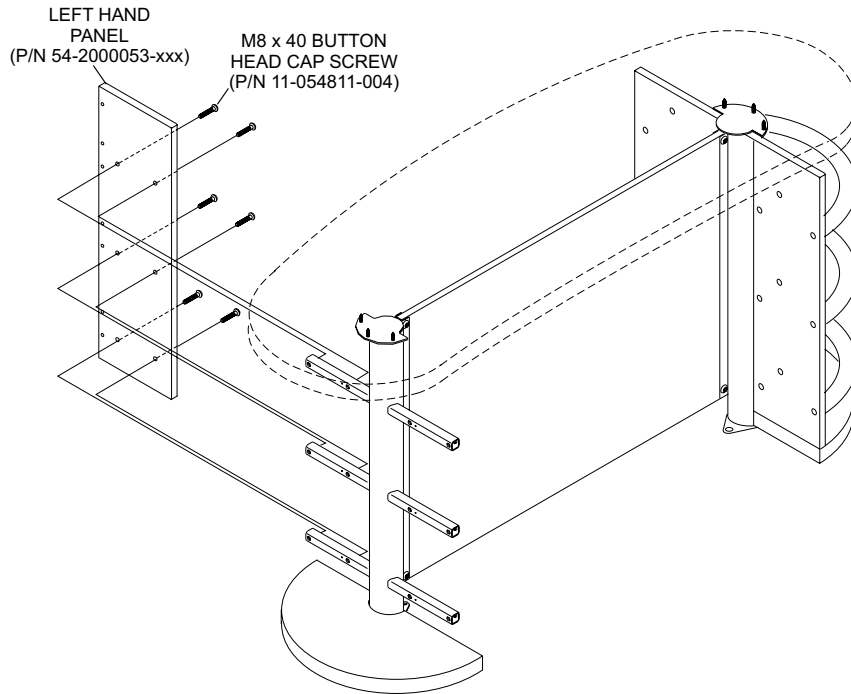


Figure 5



NOTE: Do not secure right hand wood panel at this time.

Install Trash Can Cover

1. Install roller (P/N 54-200074-000) in cut-out in bottom of trash can cover using two screws (P/N 11-053776-001) and four flat nylon washers (P/N 11-192021-00). Refer to *Figure 6*.

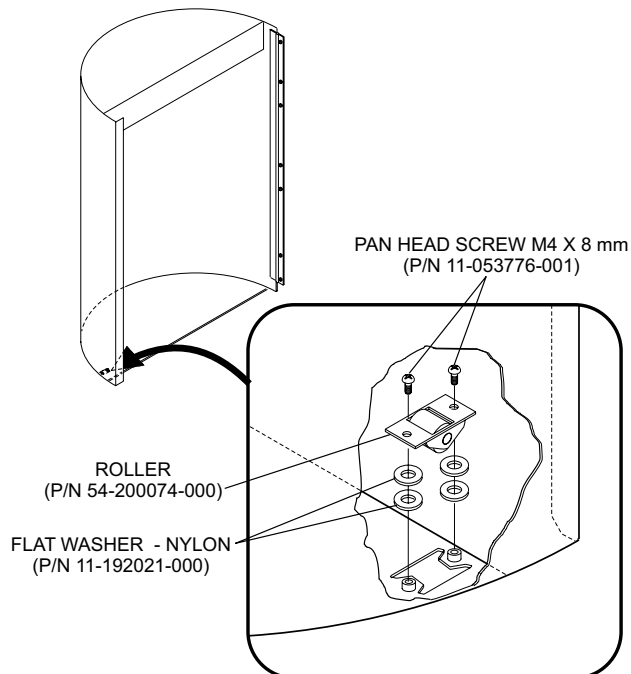


Figure 6

2. Use two people to support, level and secure the trash can cover (P/N 54-200024-000) hinge to the wood panel using seven M8 x 40 button head cap screws (P/N 11-054811-004). Refer to *Figure 7*.

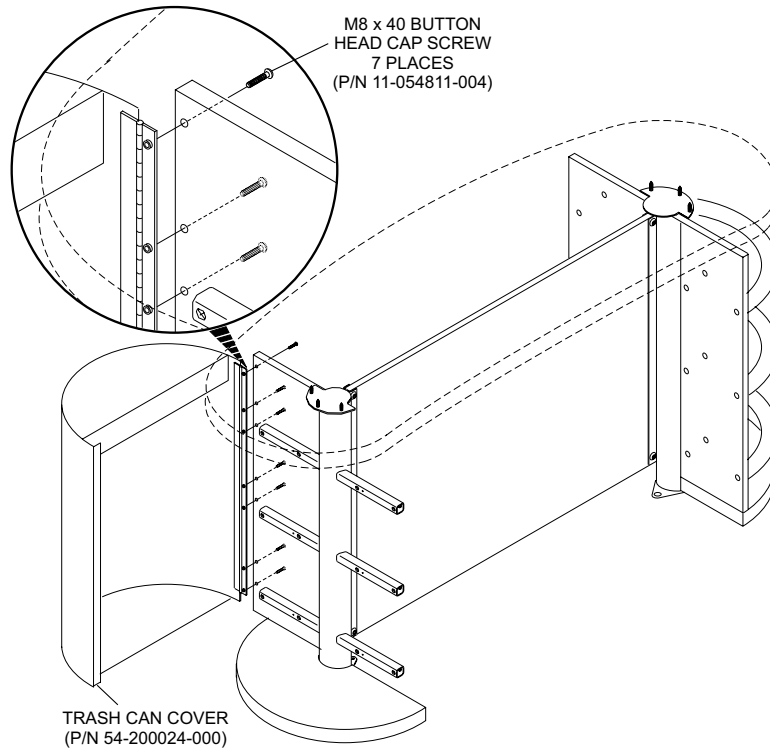


Figure 7

Install Cover Magnet

1. Assemble door magnet by securing the ceramic magnet (P/N 54-200049-000) to the magnet mounting bracket (P/N 54-200051-000) with M6 x 16 button head screw (P/N 11-054803-004) and M6 locknut (P/N 11-051743-001). Refer to *Figure 8*.

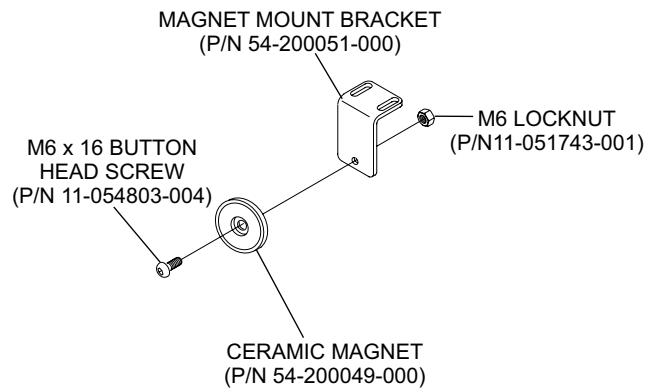


Figure 8

- Apply vinyl decal (P/N 54-200079-000) to the door 2-1/2" (64mm) from where the door's curved face and flat top surfaces meet. Refer to *Figure 9*.

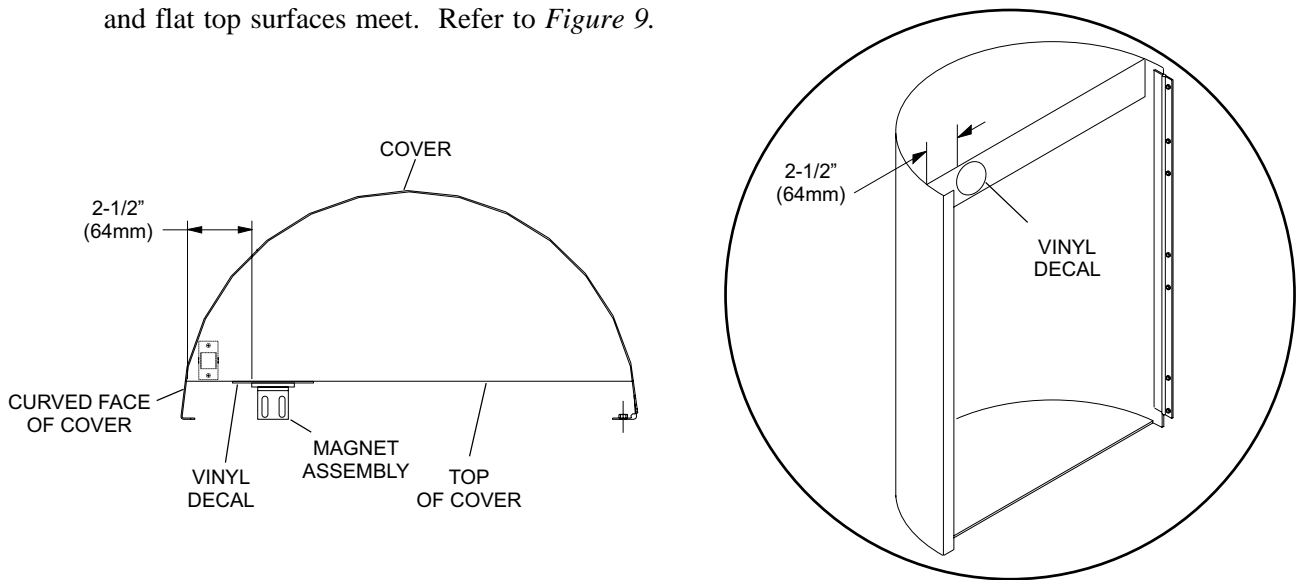


Figure 9

- Attach magnet assembly to door in middle of decal. Refer to *Figure 9*.



NOTE: The decal reduces scratches on the trash can cover.

- Close door to proper position and adjust magnet assembly.
- Mark center of magnet mount bracket slots on underside of table top. Refer to *Figure 10*.

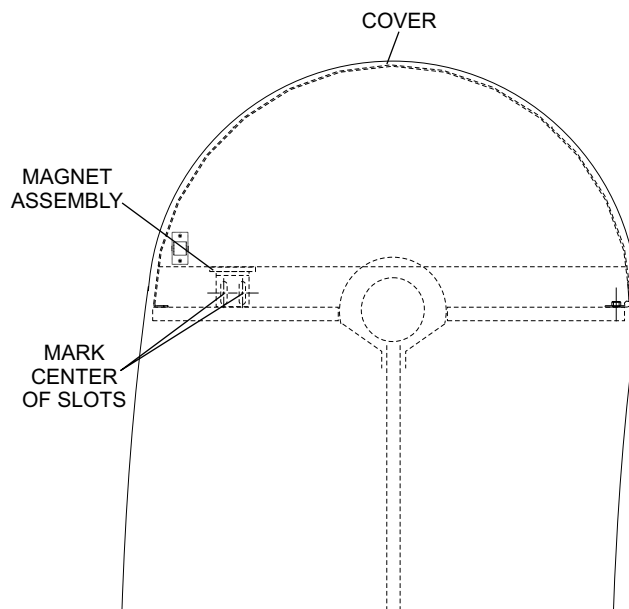


Figure 10

- Open door and drill marked holes 1" (25 mm) deep with 5/16" bit.



WARNING ! Do not break through table top.

7. Install inserts (P/N 11-095016-000) into underneath side of top with 6mm Allen Wrench. Refer to *Figure 11*.

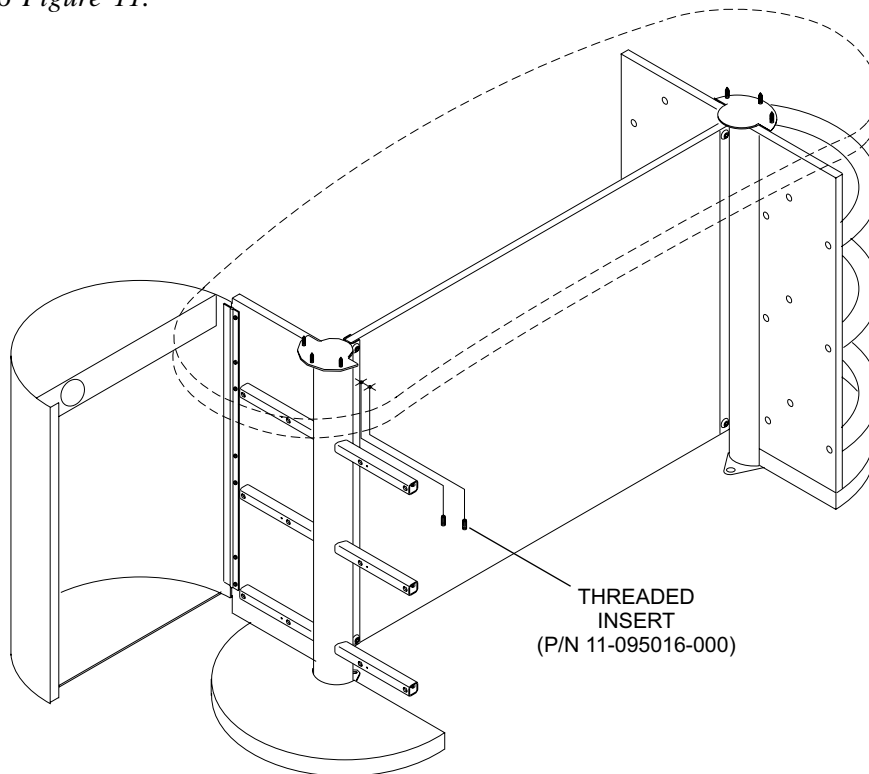


Figure 11

8. Loosely attach magnet mounting bracket to table top using inserts and M6 x 16mm (P/N 11-054803-004) button head screws. Refer to *Figure 12*.

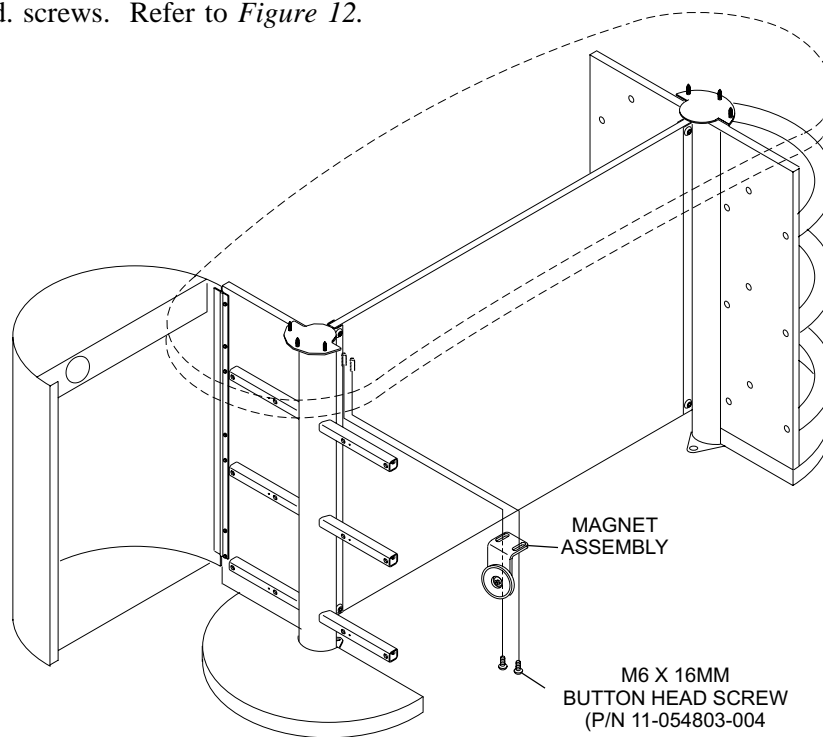


Figure 12

9. Close cover to proper position allowing magnet to stick to cover and tighten M6 x 16mm button head screws.

Install Right Hand Wood Panel

1. Secure new right hand wood panel (P/N 54-200054-xxx) to trash can support with six M8 x 40 button head screws (P/N 11-054811-004). Refer to *Figure 13*.

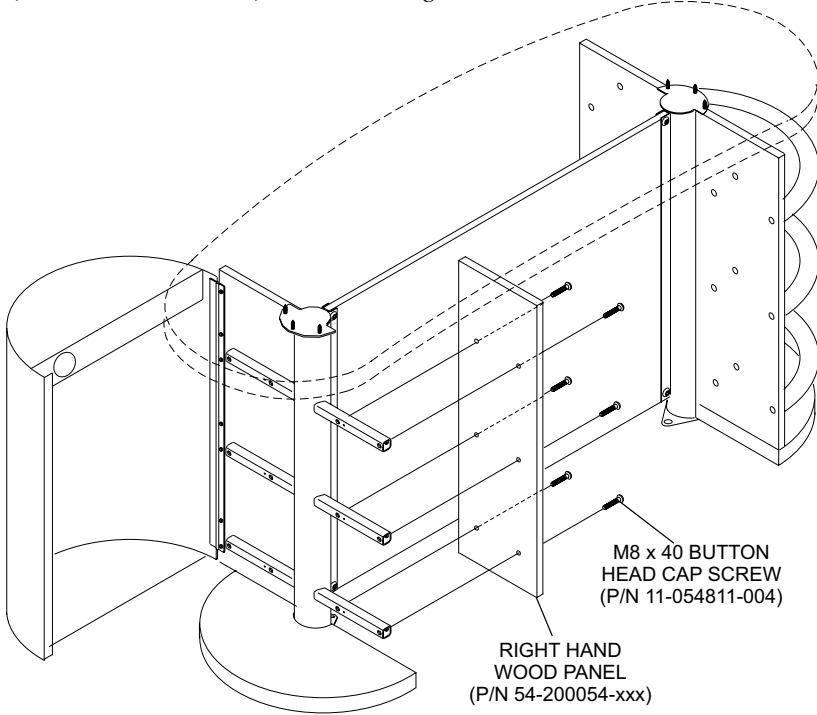


Figure 13

Install Support Covers

1. Secure the left hand support cover (P/N 54-200070-000) and the right hand support cover (P/N 54-200023-000) with 3 each M6 x 16 button head screws (P/N 11-054803-004). Refer to *Figure 14*.

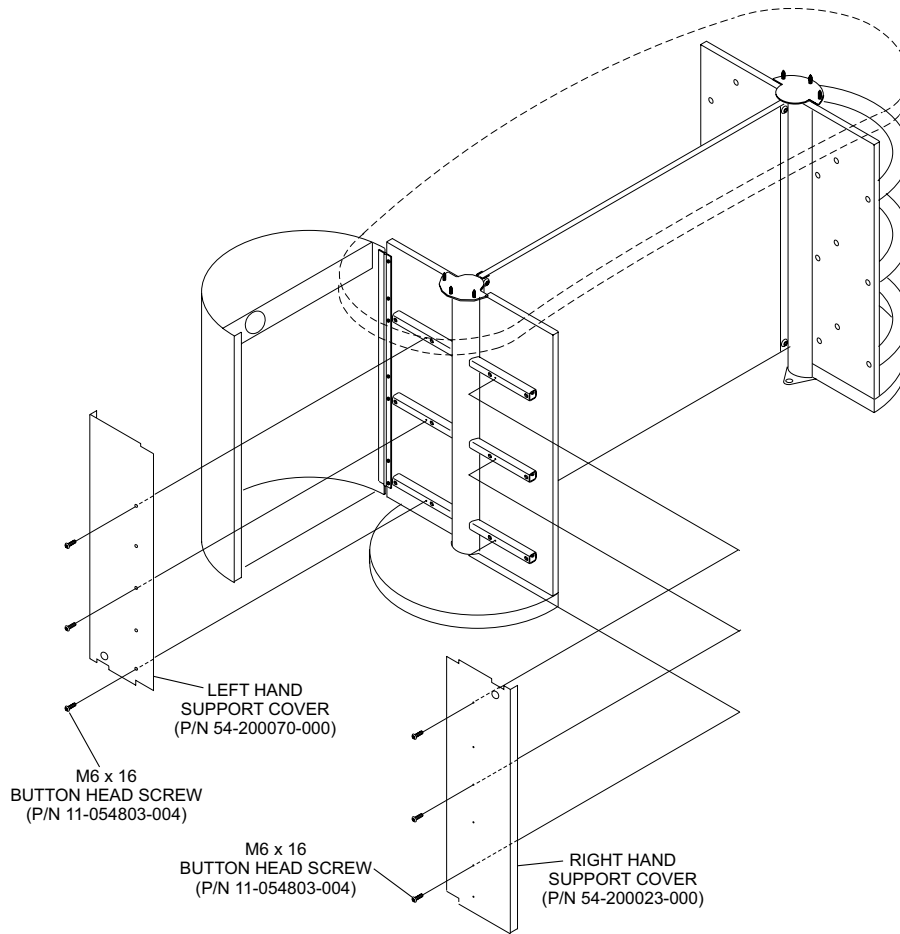


Figure 14

Install Trash Can Shelf

1. Install trash can shelf (P/N 54-200073-000) using four M6 x 16 m button head screws (P/N 11-054803-004). Refer to *Figure 15*.

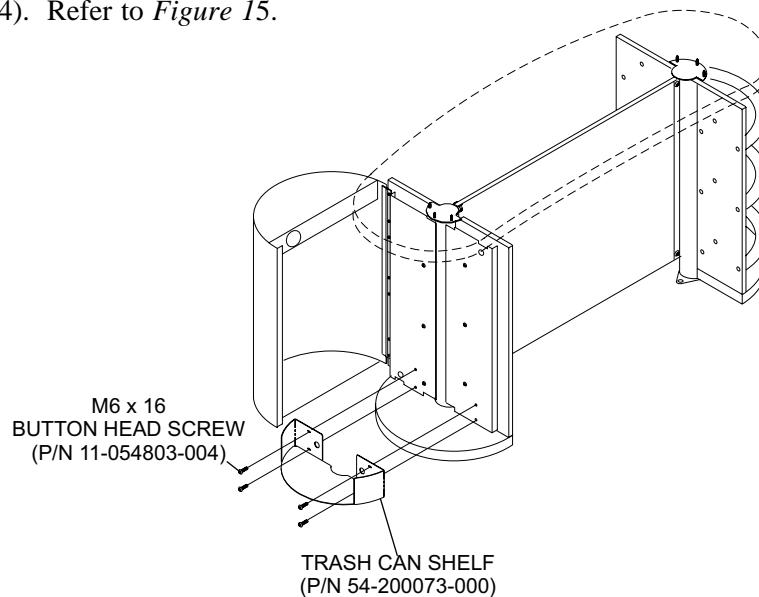


Figure 15

Install Trash Can

1. Install trash can (P/N 54-200050-000). Refer to *Figure 16*.

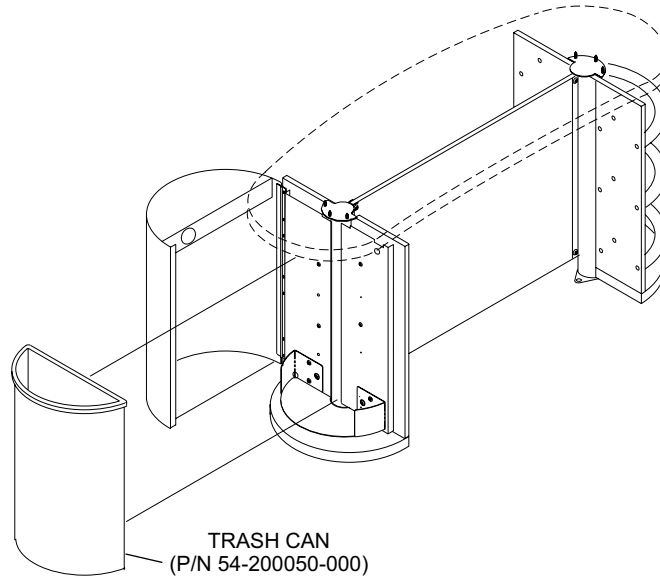


Figure 16