

Authority22 Lane Machine Heavy Duty Casters

1. Enlarge hole with 1/2" drill. Refer to *Figure 1*.
2. The 5/16" bolts attaching the angle bracket may have loosened, allowing the holes to wear and the bracket to twist. If so, remove the 5/16" hardware, square the bracket to the side frame and enlarge the holes with a 3/8" drill. Refer to *Figure 1*. Reattach the angle bracket using the included 3/8" flanged bolts & nuts.
3. The new caster bracket is 1/4" (6 mm) taller than the original. Do not use flat washers as spacers. Mount the new caster bracket directly against the bottom of the angle bracket for best support. Refer to *Figure 1*.
4. Place flat washer and both nuts on top of the angle bracket. Refer to *Figure 1*. Tighten the first nut against the washer and then tighten the second nut to lock.

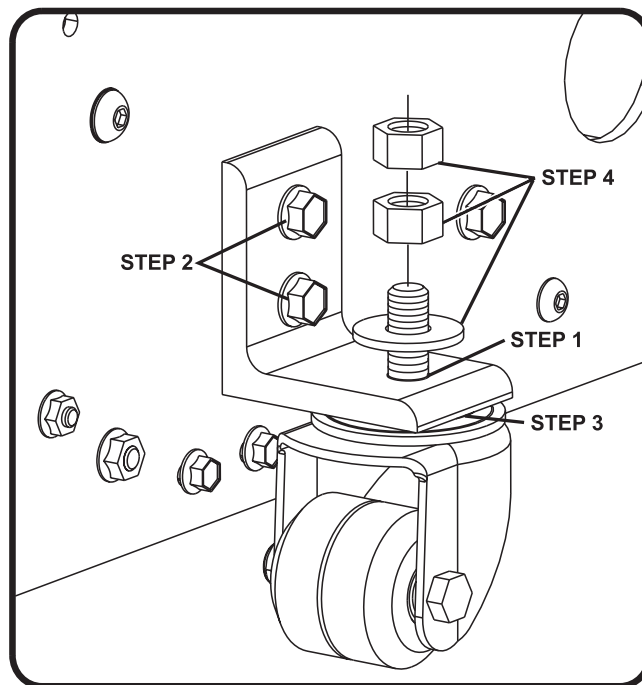
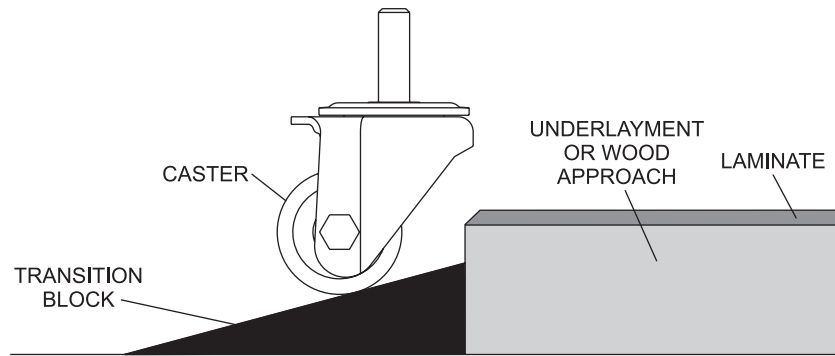


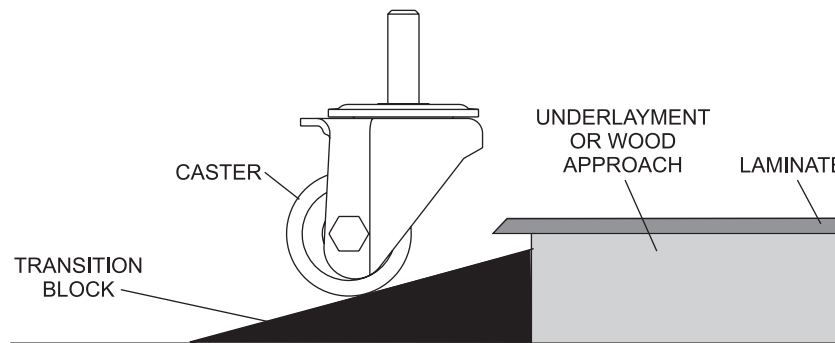
Figure 1



NOTE: Replacing your casters is a good time to check for potential issues on the approach that can damage your casters or the approach. Refer to Figure 2.



1. TRANSITION BLOCK TOO LOW



2. LAMINATE EXTENDED

Figure 2