

**3/8" Y-Union Replacement  
14-860035-000**

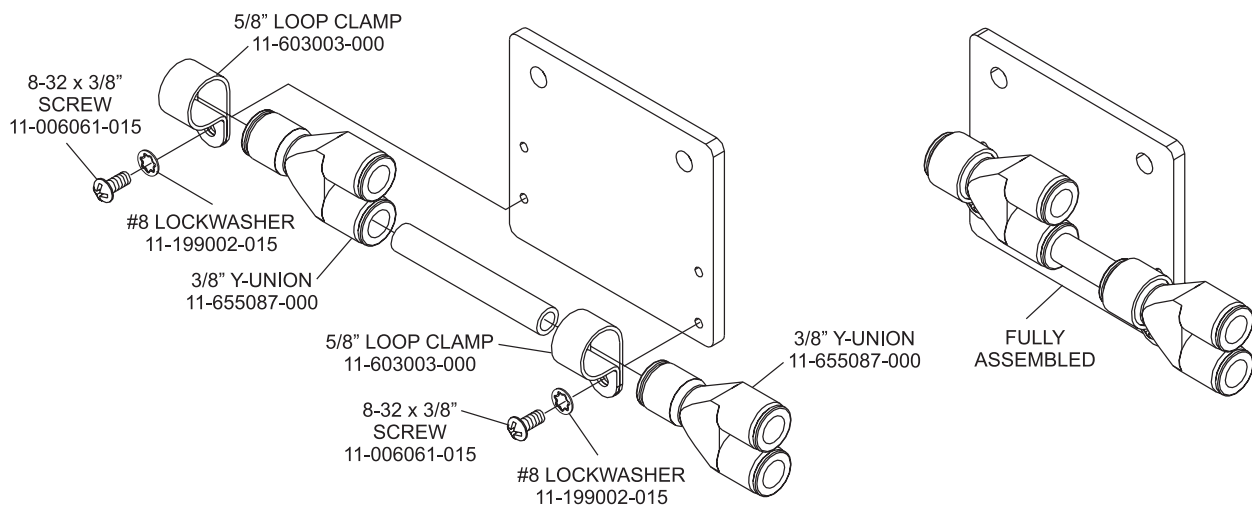
The 3/8" Y-union with the two hole mounting flange (11-695025-000) has been obsoleted by the supplier. The 14-860035-000 package may be used to replace the 11-695025-000 or the newer style 3/8" Y-Union (11-655087-000).

**Packaging**

1 ea.	14-860035-000	Package - 3/8" Y-Union with Hardware	
	1 ea.	11-655087-000	3/8" Y-Union
	1 ea.	11-603003-000	Clamp - 5/8" Loop
	1 ea.	11-006061-015	Button Head Hex Cap Screw - 8-32 x 3/8"
	1 ea.	11-199002-015	#8 Internal Tooth Lockwasher
	1 ea.	14-900105-000	Installation Instructions

**Installation**

1. Remove the mounting screws from the defective 3/8" Y-Union.
2. Press in the locking ring to release the tubing and remove the Y-Union.
3. Trim the end of the tubing, making sure the end of the tube is square.
4. Place the 5/8" Loop Clamp (11-603003-000) over the end of the new Y-Union (11-655087-000). Refer to Figure 1.
5. Reattach the tubing to the Y-Union.
6. Secure the Clamp and Y-Union using #8-32 x 3/8" screw (11-006061-015) and lockwasher (11-199002-015). Refer to Figure 1.



*Figure 1*