

Anvilane Prolane Lane Repair (84-860547-999)

Overview

These instructions provide the details for repairing a variety of lane damage using patches found in package 84-860547-999.

Packaging

1 pkg.	84-860547-999	Lane Repair Kit
1 pkg.	84-860544-999	Lane Edge Patch, Maple Anvilane Prolane, (1-1/4" x 7-3/4") 7 ea.
1 pkg.	84-860545-999	Lane Edge Patch, Maple Anvilane Prolane, (2-5/32" x 7-3/4") 7 ea.
1 pkg.	84-860546-999	Lane Edge Patch, Maple Anvilane Prolane, (3-1/2" Dia.) 7 ea.
2 pkg.	52-860012-000	Epoxy Adhesive Kit
1	11-900001-000	Double Sided Tape
1	84-900025-000	Operation Instructions Sheet

Tools Required

Part Number	Tool	Description
11-700151-000	Router	1-1/2 Horse Power
11-700105-000	Router Bit	3/8" Radius Bit with Bearing Follower
11-700106-000	Router Bit	1/2" Diameter Cut
11-700102-000	Router Bit	3/16" Radius Bit
52-860270-000	Router Template and Guide	3/8"

Repair Procedure

1. Select a patch that matches the color and grain pattern of the damaged area.
2. Line up scribed lines on the router template with the edge of the lane (or printed board line on laminate surface) by adjusting the set screws against the edge of the lane. Refer to *Figure 1*.

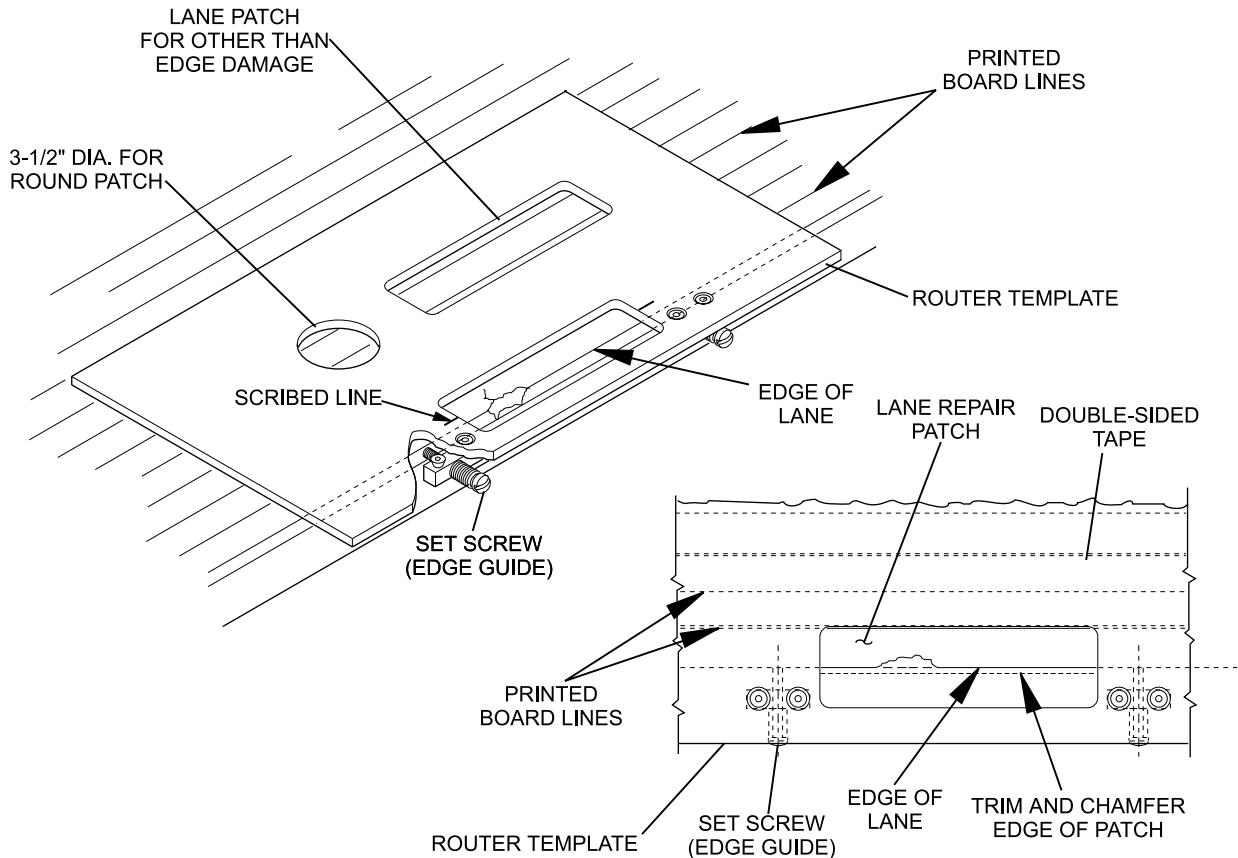


Figure 1.

3. Apply double-sided tape to the bottom of the template. Remove the protective backing from the tape and apply the template to the lane surface.
4. Set the depth of the router bit equal to the patch thickness. Route the area to be repaired.
5. Secure the repair patch in place with epoxy glue. When the glue is dry (approximately 15 minutes), trim the patch flush with the edges of the lane and chamfer the edge with a 3/16" radius bit.
6. To use the template to repair damage in the center of the lane, turn the template so the edge guides are up, and apply the double-sided tape to the template to hold it to the lane. Align the center lines on the template with the board line in the area to be repaired.

NOTE: To repair circular damage, select a round (3-1/2" diameter) patch that matches the area to be repaired. Use the round hole in the template as a routing guide.