

Walkway/Post Row/Aisle Installation

PACKAGING

Aisle/Post Row/Walkway - Lane Area - Model Number -L2-010004-000

| | | |
|-----|---------------|-----------------------------------|
| .5 | 10-030001-000 | Saw Blade, Carbide, 7-1/4" |
| 80 | 11-081202-000 | Screw, Robertson, #14 x 3-1/2" |
| 2 | 11-676678-000 | Adhesive, Paneling |
| 1 | 11-700052-000 | Drill Bit, 5/32" |
| 1 | 11-700056-000 | Drill Bit, 9/32" |
| 2 | 11-700078-000 | Driver Bit, Robertson, 3 |
| 6 | 84-200032-000 | Underlayment, 1-1/2" x 48" x 120" |
| 19 | 84-860316-002 | Truss, Pin Deck |
| .75 | 84-860318-000 | Package, Wedges, 1-1/2" |

Aisle/Post Row/Walkway - Approach Area - Model Number -L2-200019-001

| | | |
|-------|---------------|-------------------------------------|
| .5 | 10-030001-000 | Saw Blade, Carbide, 7-1/4" |
| 75 | 11-081204-000 | Screw, Robertson, #10 x 2-1/2" |
| 25 | 11-081202-000 | Screw, Robertson, #14 x 3-1/2" |
| 1 | 11-676678-000 | Panel Adhesive |
| 1 | 11-700052-000 | Drill Bit 5/32" |
| .5 | 11-700054-000 | Drill Bit 7/16" |
| .5 | 11-700055-000 | Drill Bit 13/64" |
| .5 | 11-700056-000 | Drill Bit 9/32" |
| 2 | 11-700077-000 | Driver Bit, Robertson, #2 |
| 2 | 11-700078-000 | Driver Bit, Robertson, #3 |
| .25 | 11-700104-000 | Router Bit, 1/2" |
| 5 FT. | 52-100201-000 | Molding, Shoe, Maple |
| 5 FT. | 52-100291-000 | Molding, Base, Maple |
| 1.5 | 84-200023-000 | Fill Laminate, Maple 7/16" |
| 1.5 | 84-200302-000 | Underlayment, 1-1/2" x 48" x 120" |
| 6 | 84-860316-002 | Truss, Pin Deck |
| .25 | 84-860318-000 | Package, Wedges, 1-1/2" |
| 1.2 | 84-860419-000 | Package, Maple Laminate Plugs, .440 |

INSTALLATION PROCEDURE

Foul Line to Pin Deck

Nineteen pin deck trusses are used to support the 6 sections of 1-1/2" x 48" x 120" underlayment that will be used as a walking surface at walkways or post rows in the lane area. The trusses that support the underlayment are located on the 40" centers except for trusses Nos. 4 and 19. These trusses have been moved slightly so that the underlayment will cover the entire top surface of truss Nos. 1 and 19, and the first underlayment joint will be centered on truss No. 4.

Each truss is installed with its top surface flush with the bottom surface of the underlayment on the lanes adjacent to that truss and centered and centered in the opening between the lanes. The 1/2" thick spacers used under the lanes to maintain ABC gutter depth specifications will not be required on walkway. (*Installation Procedure continued on page 3.*)

1. Starting at the foul line, install all the pindeck trusses being used to support the walkway underlayment at the locations shown in *Figure 1*. All trusses are shimmed to the required height using 1-1/2" thick wedges, and construction adhesive as was done on all lane area trusses. Reference *Figures 1 and 2*.
2. Trim all the underlayment panels being installed in the walkway to the required width.
3. Position the 6 sections of underlayment on the trusses as follows:
 - a. Foul line section - Approach side of truss No. 1 to center line of truss No. 4.
 - b. Second section - Center line of truss No. 4 to the center line of truss No. 7.
 - c. Third section - Center line of truss No. 7 to the center line of truss No. 10.
 - d. Fourth section - Center line of truss No. 10 to the center line of truss No. 13.
 - e. Fifth section - Center line of truss No. 13 to the center line of truss No. 16.
 - f. Sixth section - Center line of truss No. 16 to the center line of truss No. 19.
4. Secure the underlayment to each truss with three #14 x 3-1/2" Robertson screws, using one screw at the center line of each truss and one screw at 10-3/8" (26.4 cm) from each side of truss center line. Use a 9/32" clearance hole in the underlayment and 5/32" pilot hole in the truss for each screw.

Approach Fill

1. Install the 6 pin deck trusses starting at the foul line with the top surface of each truss flush with the bottom surface of the underlayment installed on the lanes adjacent to it. Reference *Figure 3*.
2. Cut the two pieces of 10' underlayment to the width required to fill the opening between the lanes in the approach at the post row (or walkway).
3. Cut one of these pieces of underlayment to the length required to fill the area between the pit side of the truss installed at the foul line and the center of the truss installed at the 118-1/4" dimension. Reference *Figure 4*.
4. Cut the second piece of underlayment to the length required to fit the opening between the center of the truss installed at 118-1/4" dimension to the approach step. Reference *Figure 4*.
5. Secure the underlayment panels to the trusses at the locations shown in *Figure 1* with (21) #14-3-1/2" Robertson screws.
6. Install the fill laminate in the opening between the lanes. Using the same procedure used to install the division and ball return laminate panels for lanes.

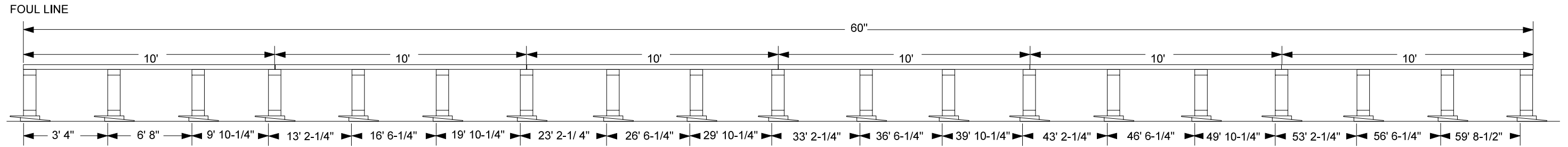
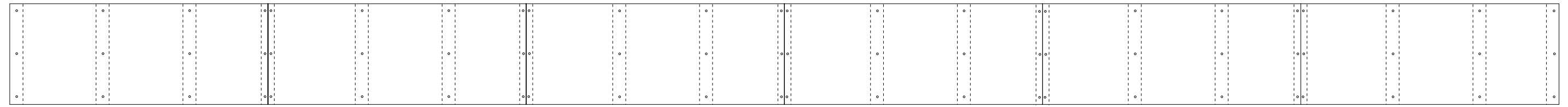


FIGURE 1.

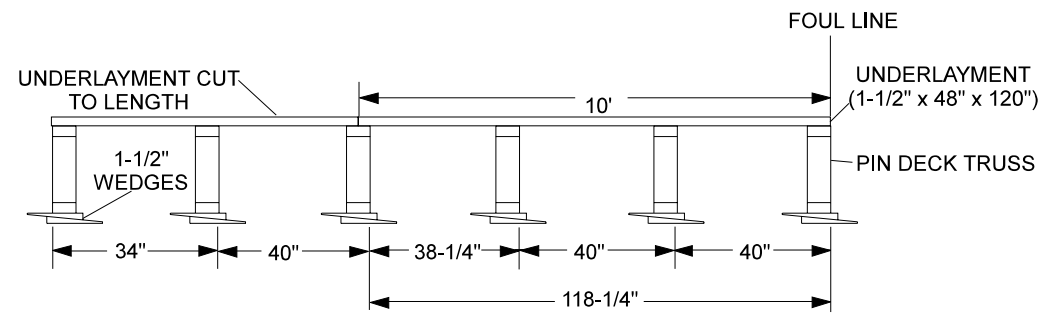


FIGURE 3.

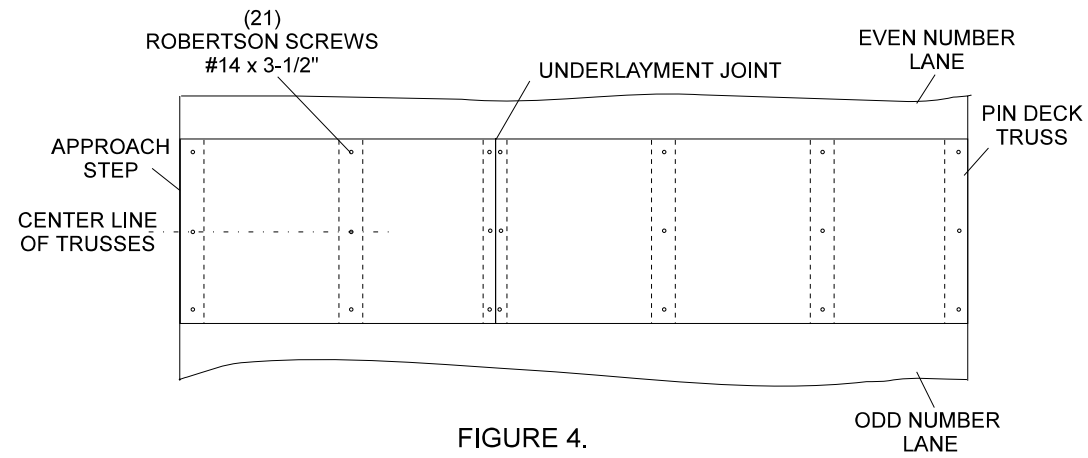


FIGURE 4.

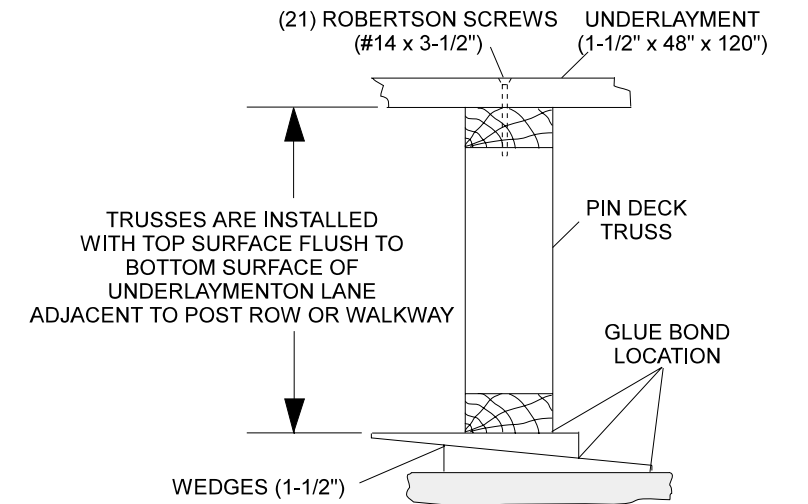


FIGURE 2.