

## **“A” & “A-2” Electrical Box Cover (excluding Japanese series pinsetters) 12-862263-000**

### **Packaging**

- (1) 12-862263-000 “A” & “A-2” Electrical Box Cover Package
  - (1) 12-750871-000 “A” & “A-2” Electrical Box Cover Assembly
    - (1) Electrical Box Cover
    - (4) #10-32 x 3/8” Phillip Screws
    - (4) Hex Nuts
    - (1) Safety Decal
    - (1) Safety Plug
    - (1) O-Ring
  - (1) 12-902045-000 Instruction Sheet

### **Instructions for “A” & “A-2” Pinsetter**

1. Cycle the pinsetter to 270 degrees.



**WARNING!** Remove power to the pinsetter by turning off the circuit breaker and unplugging the main power cord to the electrical box.

2. To improve the ease of installation it is suggested that all fastening hardware mounting the Electrical Box Assembly to the pinsetter frame be loosened. On the Channel Support Assembly loosen mounting bolt (P/N 11-001263-001) to allow for slight movement of the channel. For pinsetters prior to series 24000, on the Channel Support Assembly loosen U-Bolt (P/N 12-750654-000).



**NOTE:** Do not completely remove the hardware securing the Channel Support Assembly.

3. On the Electrical Box Assembly loosen mounting bolt (P/N 11-001260-001) on the bottom of the box and U-bolt (P/N 12-750007-000) on the back of the box.



**NOTE:** Do not completely remove the hardware securing the Electrical Box Assembly.

4. Open the new Electrical Box Cover (P/N 12-862263-000) and unhinge the access panel by sliding it to the left. Place the access panel aside. Refer to *Figure 1*.

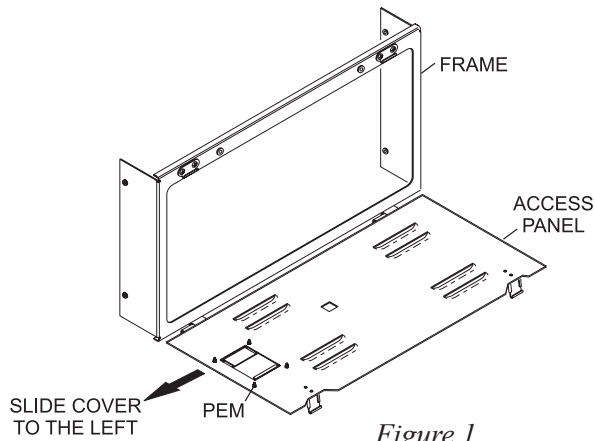


Figure 1

5. Mount the frame over the open Electrical Box Assembly. Position the sides of the frame inside of the Electrical Box Assembly aligning the threaded inserts to match the existing mounting holes for the original cover. The upper and lower lip of the frame will cover the top and bottom edge of the Electrical Box.



**NOTE:** Electrical box assemblies may be bent or damaged. Make sure the existing box provides enough clearance for secure frame installation.

6. Once the frame is in place, secure with the hardware provided.
7. On the front of the access panel adhere the provided safety decal between the main circuit breaker opening and motor overload relay opening. For electrical boxes without a motor overload relay, place the provided plug into the small opening and secure with o-ring. Refer to Figure 2.

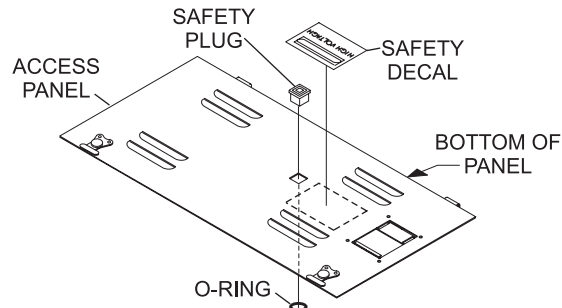


Figure 2

8. For electrical boxes with circuit breaker 12-860627-000 and the filler plate, remove the plate from the existing electrical cover. On the access panel remove the lower knock-out piece in the circuit breaker opening. Using the Pem® fasteners on the inside of the access panel and the provided nuts, fasten the plate to the access panel. For boxes without the filler plate, secure the provided nuts to cover the Pem® fasteners.
9. Slide the access panel back into the hinges; carefully close and latch at the top of the panel making sure not to pinch wires. The Electrical Box is now completely covered.
10. Depending upon the circuit breaker, motor contactor and thermal overload combinations are in the Electrical Box, further work may be needed to the access panel to provide proper clearance for these parts.
11. Re-tighten the bolts on the Channel Support Assembly and Electrical Box Assembly.
12. Before power is restored to the Electrical Box carefully double check that there are no wires in a position to be pinched by the new Electrical Box Cover. Reconnect power to the pinsetter.