

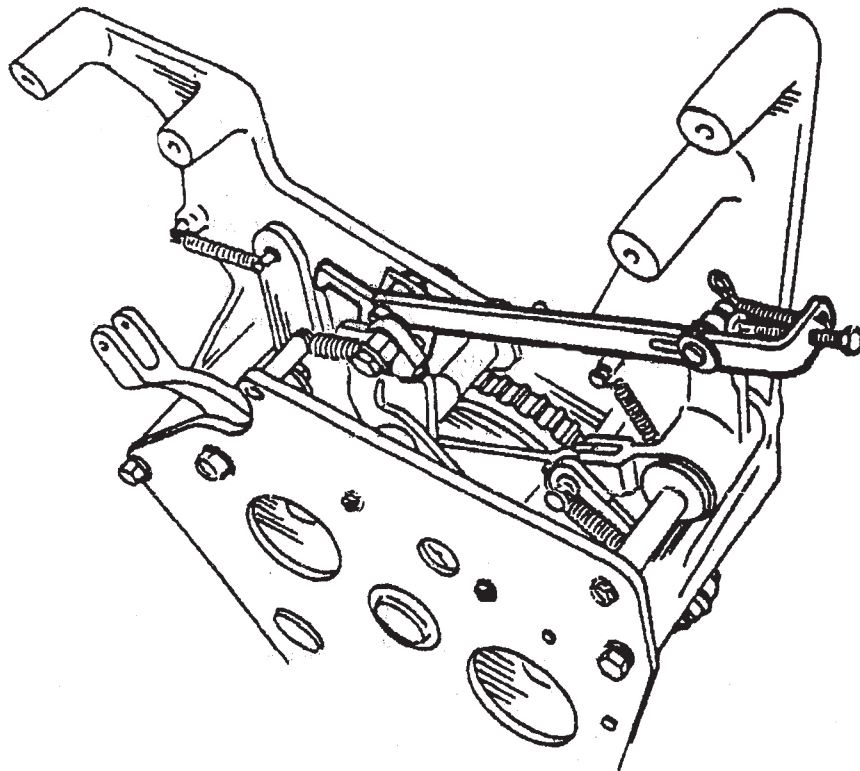
Automatic Out of Range 12-1060

1. Before installing this device it is necessary that the out of range cycle is operating properly. Check the following items:
 - The pinsetter detects an out of range pin
 - The deck hook is in the correct adjustment
 - The rake latch is not hitting the sweep block when it shouldn't
 - The hook selector cam follower bearing is not broken
2. Cycle pinsetter to 0 degrees. Disconnect power cord from machine.



WARNING! *Disconnect the input power connector to the electrical box.*

3. Remove the following items: they are no longer needed
 - 12-100337-000 Link
 - 12-100040-004 Link
 - 12-100213-000 Rod



4. Remove the top front detector mounting bolt and replace it with the 1/4" x 1 3/4" bolt provided.

5. Install washers to properly align out of range latch with hook selector pin. Place latch assembly on 1/4 bolt. Install 1 flat washer and the thin 1/4 lock nut. Tighten nut, then back off 1/4 turn to allow latch to move freely.
6. Install new pin as shown with washer, spring and hair pin clip.
7. Adjust screw to give latch 1/8" clearance above pin on the hook selector cam follower at 0 degrees.
8. Plug in pinsetter and slowly cycle machine. Observe latch getting in and out of position freely. If the latch binds or fails to come out, file latch slightly and check again.
9. Set out of range pin. Detect and stop machine with rake sweep block under latch and adjust for minimum 1/16" clearance at this point.



NOTE: An additional pin, spacer and clevis have been supplied for machine prior to serial number 23001 having cast hook selector cam follower.

