

## Ball Wheel Wiper with Replaceable Pads

The Ball Wheel Wiper continually removes dirt and oil from the ball wheel. This means less dirt and oil in the ball return system all the way back to the bowler. Pads are washable and additional replacement pads can also be purchased in a two-pack, part number 12-862054-000.

### Packaging

1 ea.	12-862055-000	Package - Ball Wheel Wiper Assembly with Cloths
1ea.	12-440004-000	Ball Wheel Wiper Assembly
1 ea.	12-862054-000	Package - Ball Wheel Wiper Cloths (2)
1 ea.	12-902079-000	Installation Instructions

### Tools Required

- Center Punch
- Drill Motor
- 3/8" Drill bit
- Two 1/2" Wrenches
- Safety Glasses

### Installation



**WARNING!** Remove power to the pinsetter by turning off the circuit breaker and unplugging the main power cord to the electrical box.



**IMPORTANT!:** Please read all instructions before proceeding.

1. Center punch the drill hole location on the pin guide support. Refer to Figure 1.

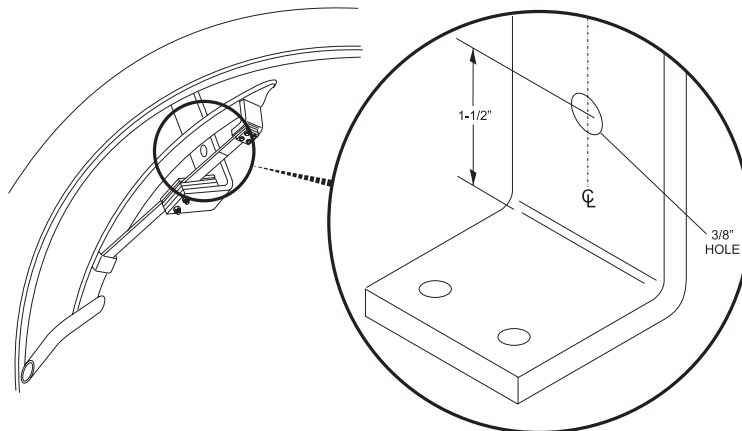


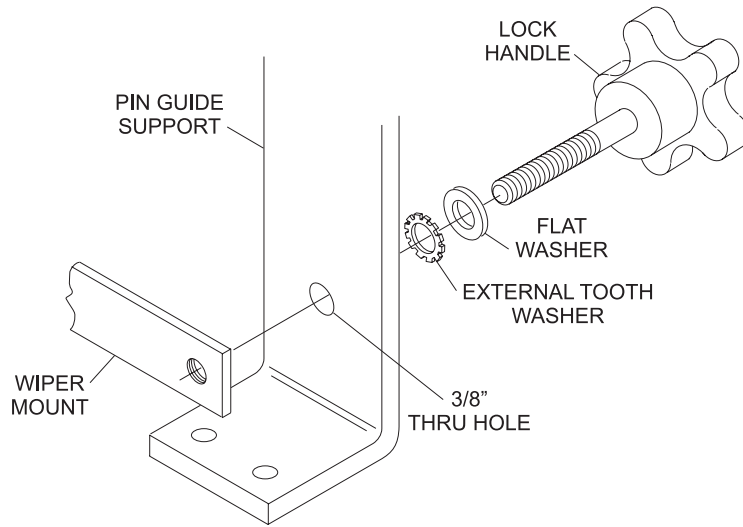
Figure 1 - Mounting Hole Location

2. Drill a 3/8" hole in the pin guide at the marked location.



**WARNING!** Always wear safety glasses.

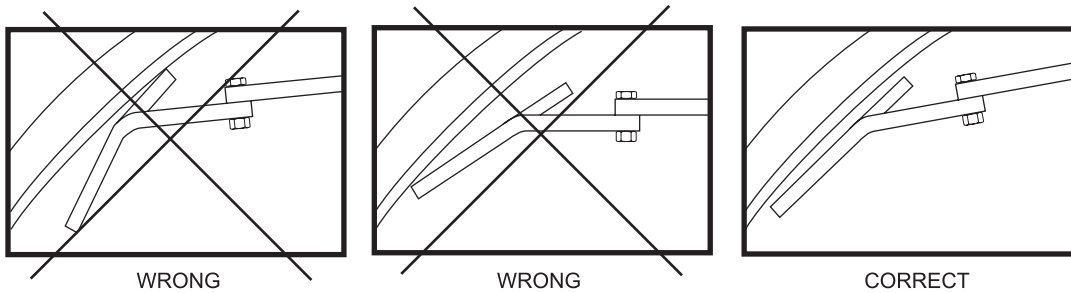
3. Unscrew the lock handle from the wiper mount.
4. Install the wiper assembly. Refer to Figure 2.



*Figure 2 - Wiper Assembly Installation*

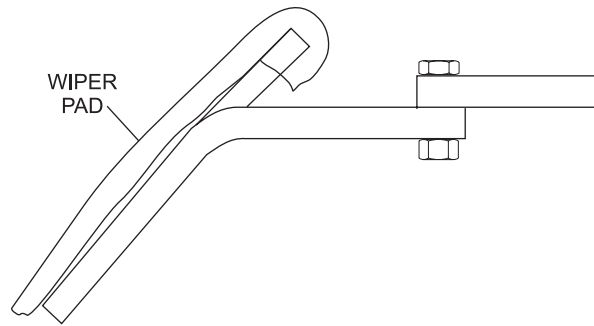
5. Make sure the lock handle is loose enough that the wiper can rotate freely.
6. Loosen the adjusting bolt and align the blade to the ball wheel. When aligned, securely tighten the bolt.
7. Adjust the face of the blade so the top edge of the face is a slight distance away from the ball wheel. Refer to Figure 3. Make this adjustment by bending the face of the blade up or down.

**i** **NOTE:** *The blade can be bent by hand while mounted.*



*Figure 3 - Wiper Blade Face Alignment*

8. Install the wiper pad. Refer to Figure 4.



*Figure 4 - Wiper Pad Installation*

9. Rotate the wiper until the face of the pad is firmly contacting the ball wheel and tighten the lock handle (excessive tightening force is not necessary).

## **Wiping Pad**

There are two sides to each wiper pad and they should be rotated daily or more often if there is excessive dirt build up. Pads can be used on both sides and are washable.

1. Loosen the lock handle and rotate the wiper down.
2. Install a clean side of the pad toward the ball wheel.
3. Rotate the wiper back to the ball wheel and tighten the lock handle (excessive tightening force is not necessary).

## ***Laundering Instructions***

For best results, wash often with regular laundry detergent. Do NOT use bleach or detergents containing bleach. Use warm water wash/cold water rinse setting for washing and set dryer to moderate or permanent press setting.



***IMPORTANT!*** Avoid hot temperature settings.