

**DECK RIGHT DECK SAVER
12-862858-000**

Fits all Brunswick pinsetters.

Packaging

Item No.	Qty.	Description
1	1	Bracket Weldment
2	2	Wire Hooks
3	1	Turnbuckle Center
4	4	Flat Washer 3/8
5	2	Hex head cap Screw 3/8-16 x 1-3/4"
6	2	Nylock Locknut 3/8-16
7	1	Hex Jam Nut 3/8-16

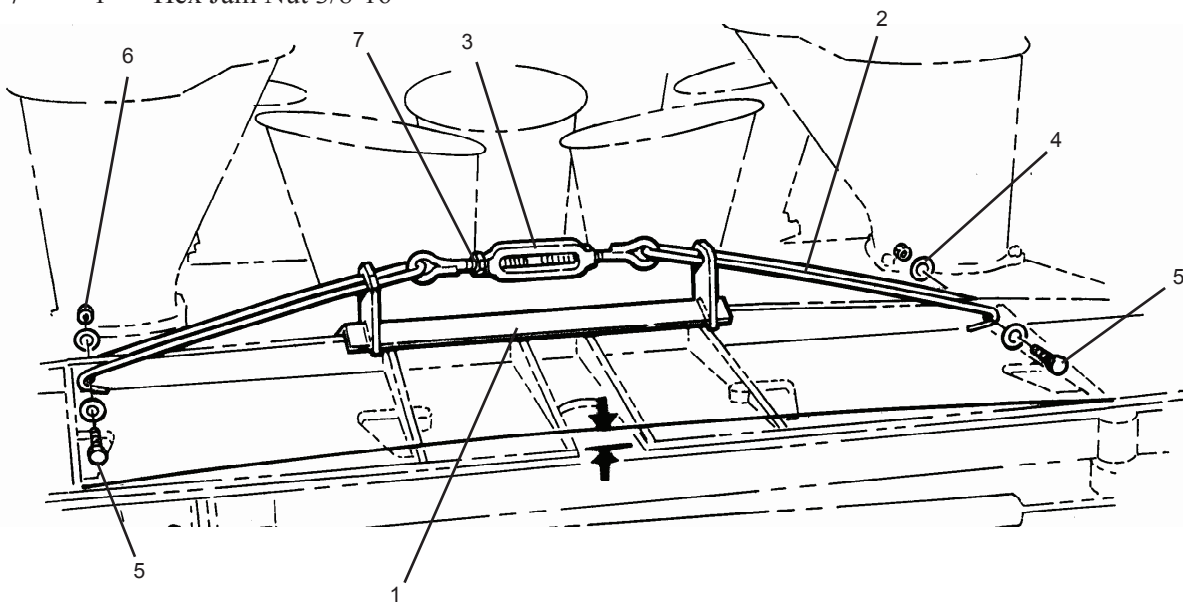


Figure 1

Installation

1. Cycle pinsetter to approximately 135 or 285 degrees; position the moving deck just above the pit cushion.



WARNING! Remove all power from pinsetter by throwing main breaker and disconnecting power cord at control box.

2. Using a 3/8 flat washer, mark two holes on rear cross web of moving deck support. Position holes as close to the 7 pin vertical support web as possible. Refer to *Figure 1*.

3. Center punch the two hole locations. Using a 3/8" bit (9" or longer), drill two holes in rear support web.
4. Place assembly on moving deck, locating one leg of hook on the front side of the support web and the second leg of the hook on the back side of the support web (each 2 legged hook will straddle the support web).
5. Extend the turn buckle and install bolts and washers. Refer to *Figure 1*. Tighten bolts and nuts, tighten turnbuckle; and then tighten nuts and bolts securely.



CAUTION! Do not overtighten the turnbuckle as shifting problems may result.

6. Tighten turnbuckle until the moving deck is flat. Secure with one jam nut at turnbuckle center.



IMPORTANT: Use a straight edge to check for flatness of moving deck.