

Elastomer Bushing 8-382

Installation Instructions

1. Clean all grease and oil out of the small end of Jogger Arm.
2. Wipe all grease and oil off the steel sleeve.
3. Press the Elastomer Bushing into the small end of the jogger arm.
4. Press the steel sleeve into the Elastomer Bushing. Use a washer on the back side to keep the bushing in place.

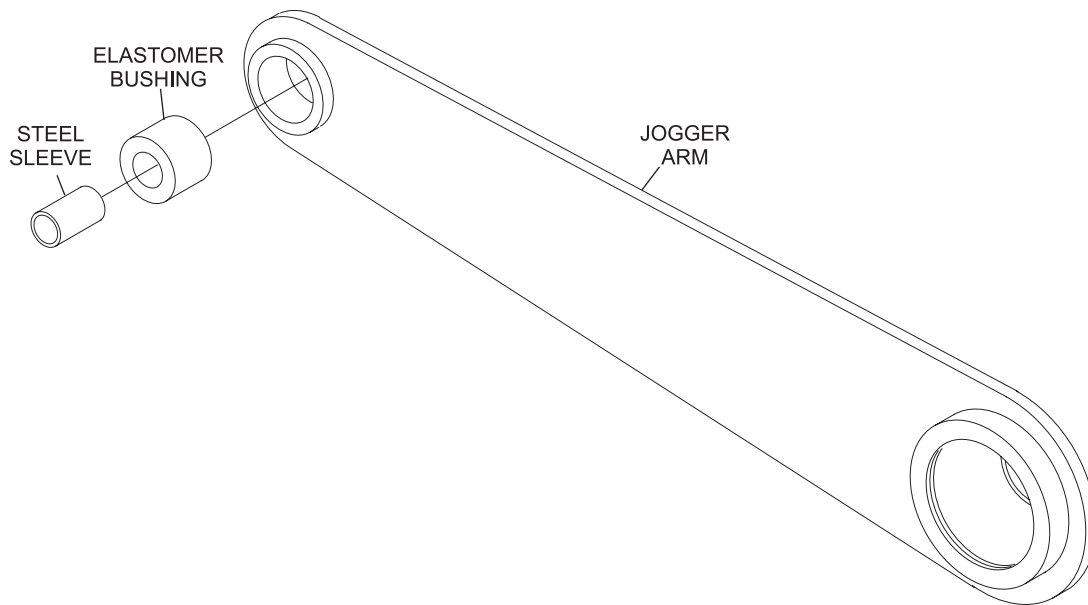


Figure 1