

Ball Return Door Coded Interlock Switch and Key

Packaging

QTY.	Part Number	Description
1	11-616086-000	Keyed Interlock Switch (Ball Return Door)
2	11-054602-001	Rivet (4 mm x 8.5 mm)
2	11-054470-000	Tamper Resistant Screw (M5 x 16 mm)
2	11-054471-000	Tamper Resistant Screw (M5 x 35 mm)
2	11-051742-001	Nylon Locknut (M5)

Interlock Switch Replacement

Metal Tube Mounted Key

1. Remove the old ball return door interlock key installed on square metal bar of door. Refer to *Figure 1*.

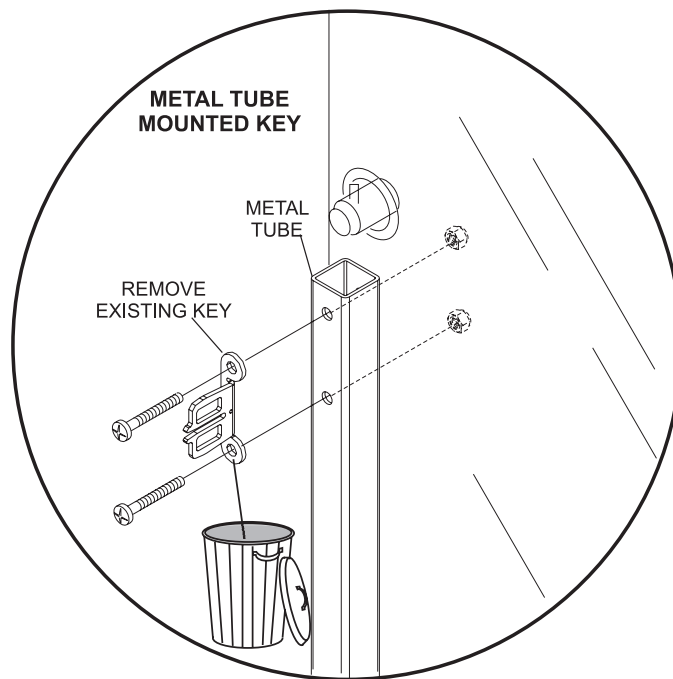


Figure 1

2. Install new key with tamper resistant screws (11-054470-000). Refer to *Figure 2*.

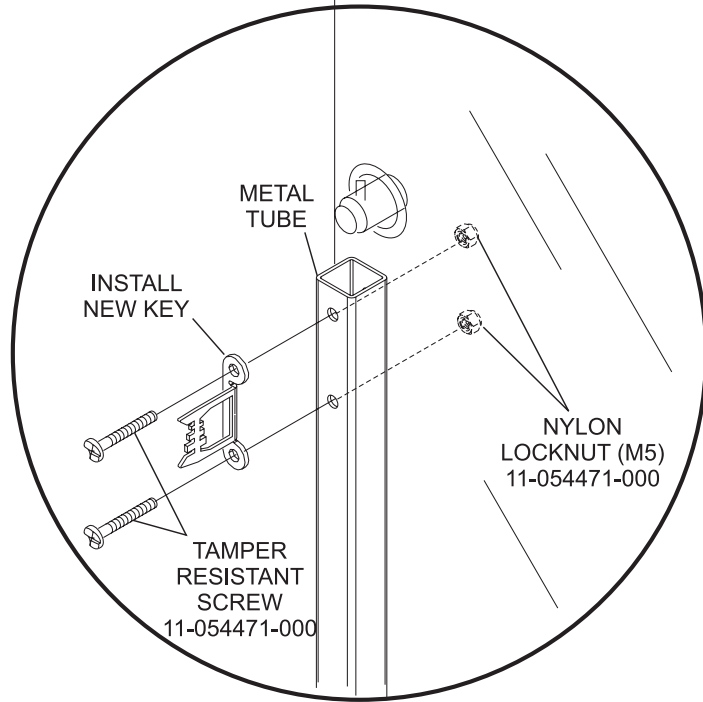


Figure 2

Plastic Door Mounted Key

1. Remove the old ball return door interlock key installed on plastic door. Refer to *Figure 3*.

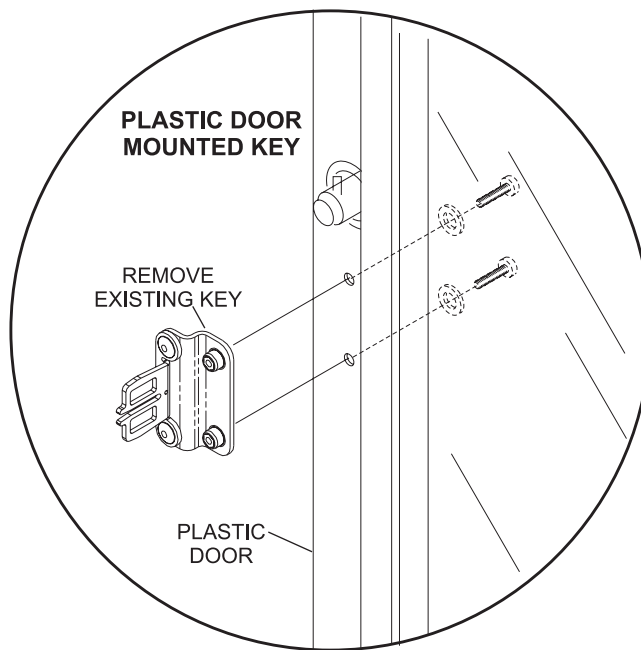


Figure 3

2. Drill rivets out and discard old key. Refer to *Figure 4*.

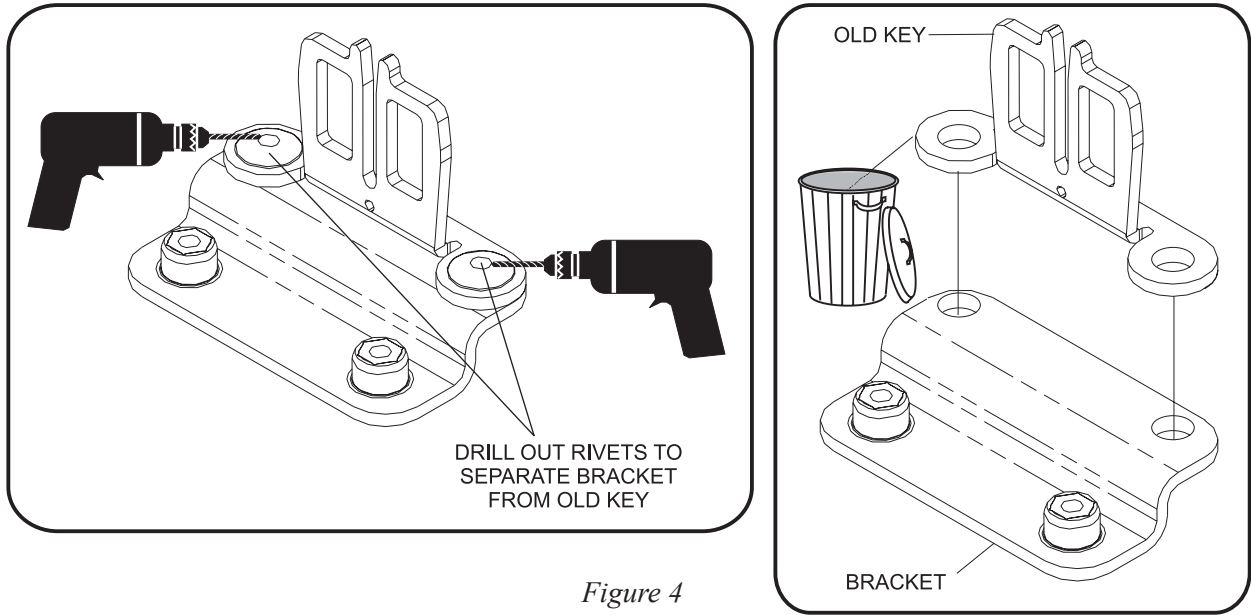


Figure 4

3. Secure new key to bracket with rivets (11-054602-001). Refer to *Figure 5*.

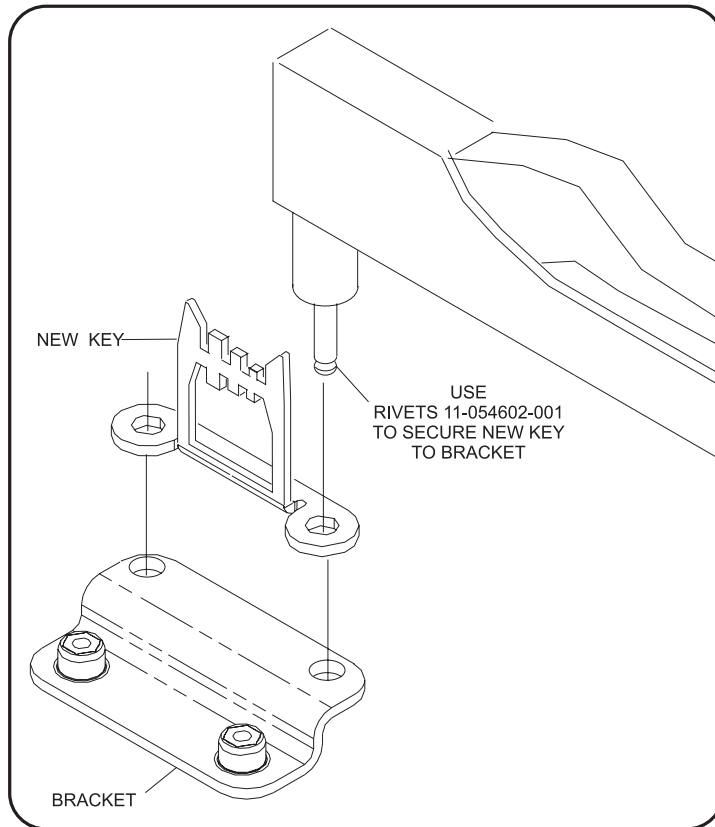


Figure 5

4. Install new key assembly to plastic door with tamper resistant screws (11-054470-000). Refer to *Figure 6*.

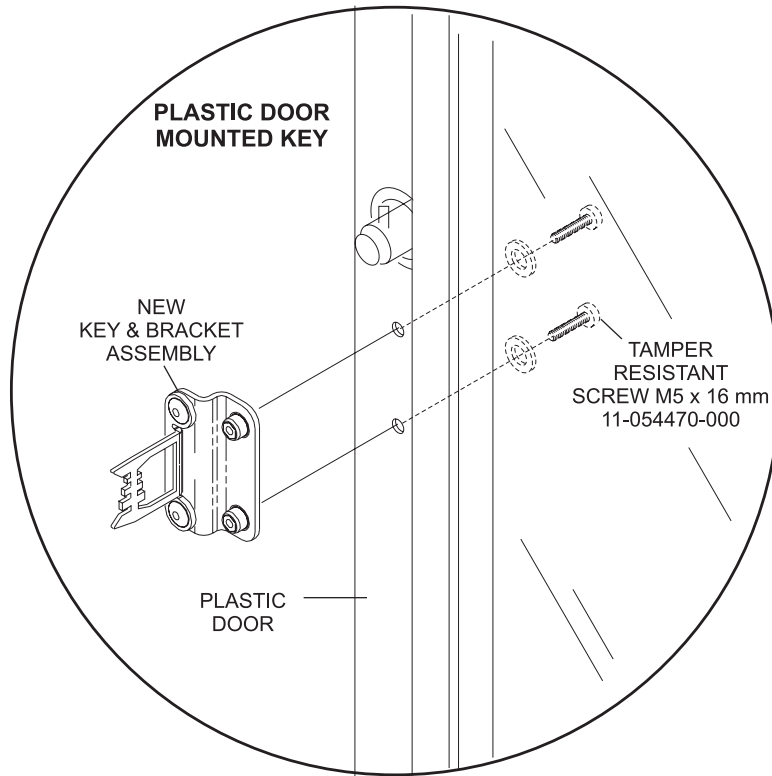


Figure 6

Interlock Switch

1. Remove the old ball return door interlock switch. Refer to *Figure 7*.

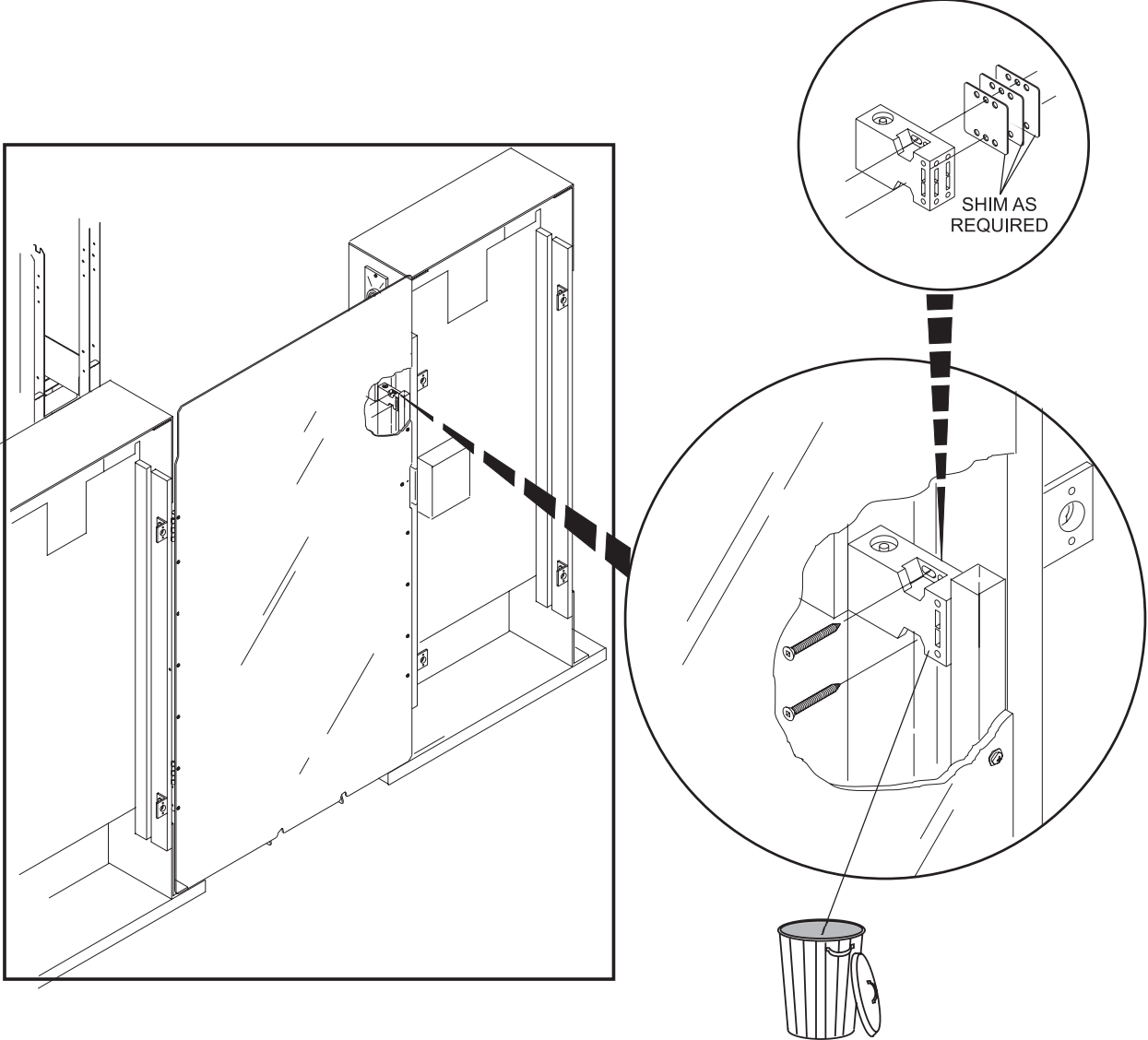


Figure 7

2. Install the new ball door interlock switch with the same hardware used to install the old switch. Refer to *Figure 7*.

Wire the Ball Return Door Interlock Switches

1. Remove the Red, Black, Green, and White wires from the existing Ball return Interlock Switch. Refer to *Figure 8*.

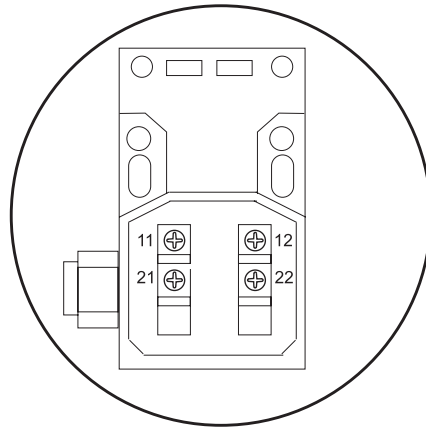


Figure 8

2. Install the Red, Black, Green, and White wires on the new Ball return Interlock Switch at terminals 21, 22, 31, and 32. Refer to *Figure 9*.

- A. Terminal 21 – Black
- B. Terminal 22 – Red
- C. Terminal 31 – Green
- D. Terminal 32 – White

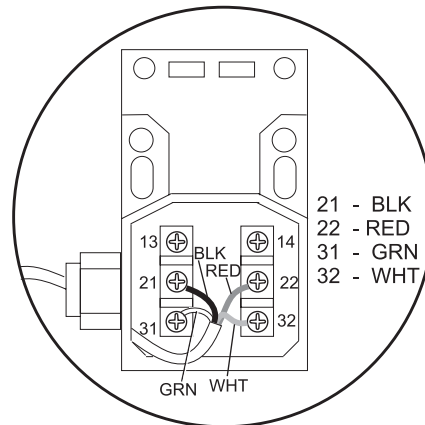


Figure 9