

## **Elevator Clear Guard Upgrade**

### **Packaging**

1 ea.	47-086282-009 Package	
1 ea.	Clear Elevator Guard	47-086283-003
2 ea.	Handle	47-085826-004
4 ea.	Hex Head Cap Screw (6 x 16 mm)	11-051035-001
4 ea.	Flat Washer (18 mm)	11-052037-001
1 ea.	Left Hand Elevator Bracket	47-016224-000
1 ea.	Right Hand Elevator Bracket	47-016225-000
2 ea.	Center Elevator Guard Stiffener	47-016232-000
14 ea.	Pan Head Sheet Metal Screw (#8 x 3/4")	11-082544-001
2 ea.	Slotted Head Machine Screw (4 x 20 mm)	11-052211-001
2 ea.	Locknut (4 mm)	11-051741-001

### **Tools Required**

- Socket Adaptable Allen Wrench, (5 mm)
- Philips and Straight Screw Driver
- Wrench (7 mm)

# Preparation

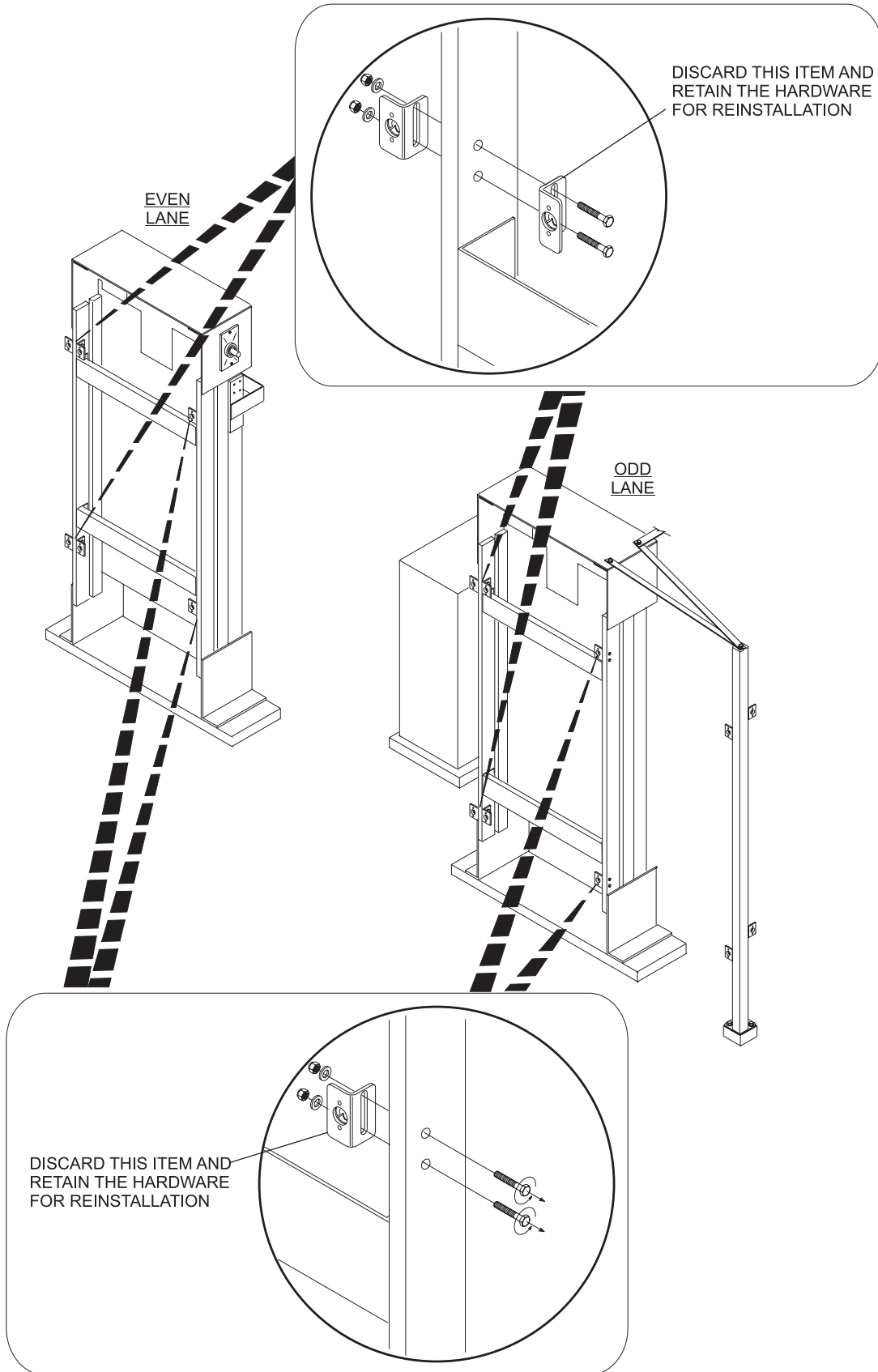


Figure 1

# Installation

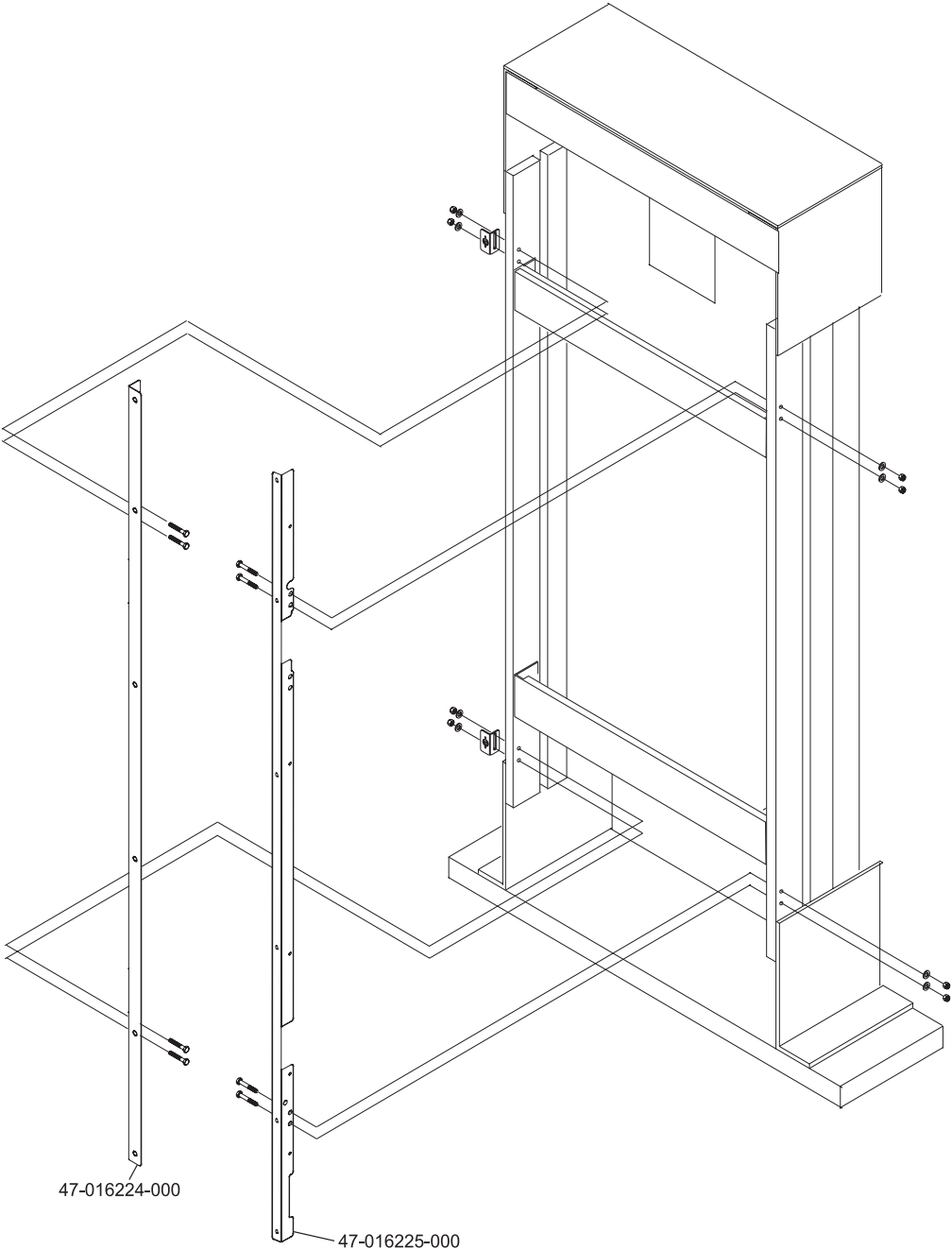


Figure 2

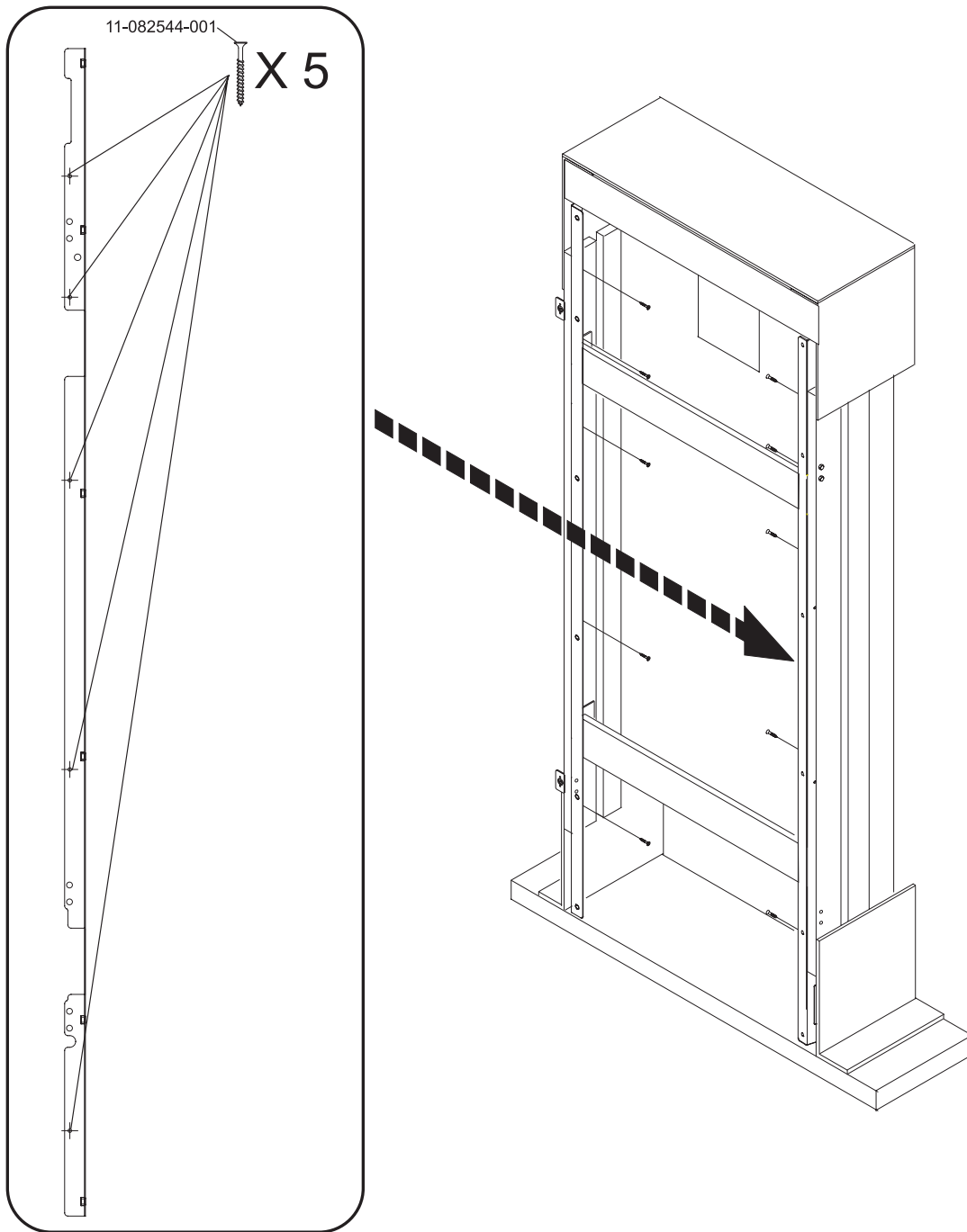
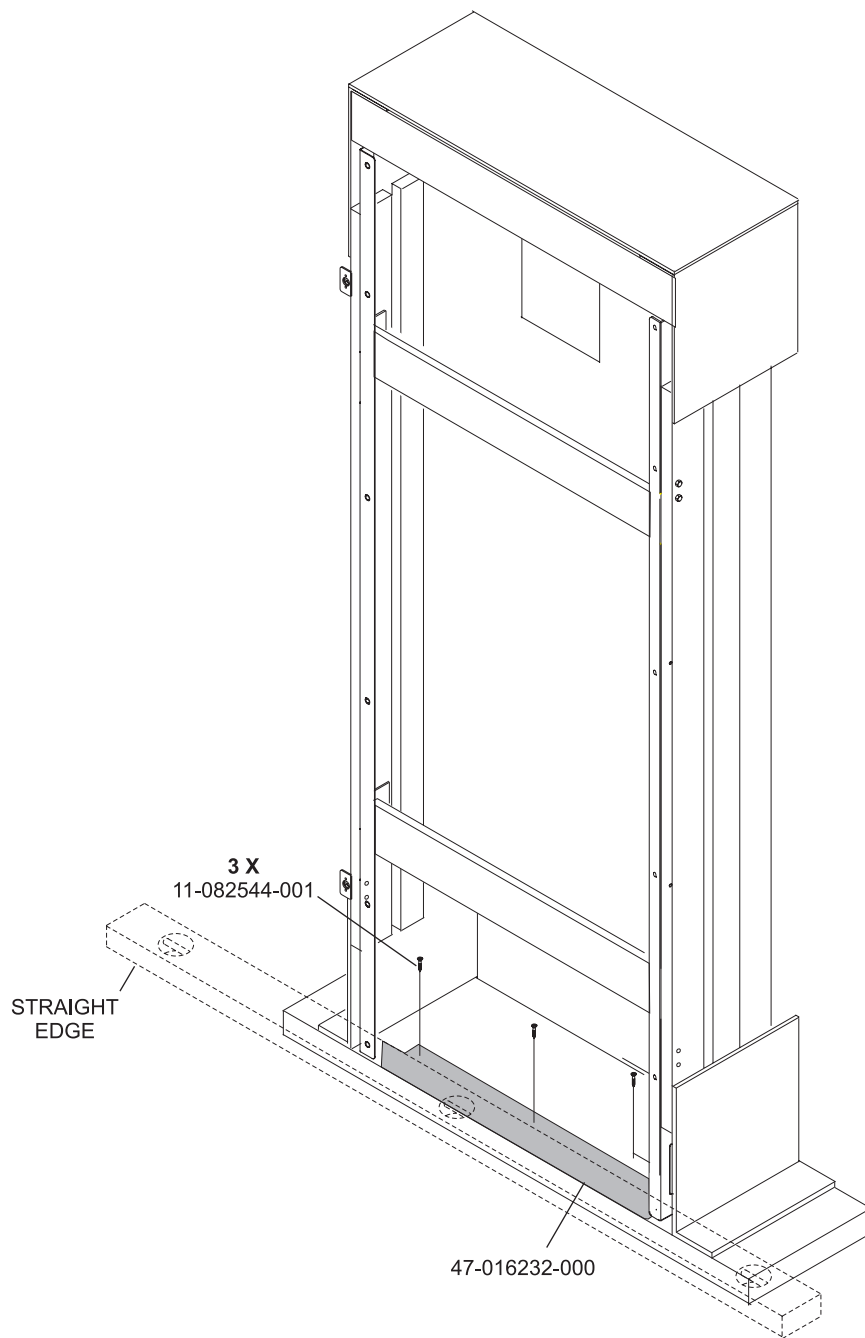


Figure 3



*Figure 4*

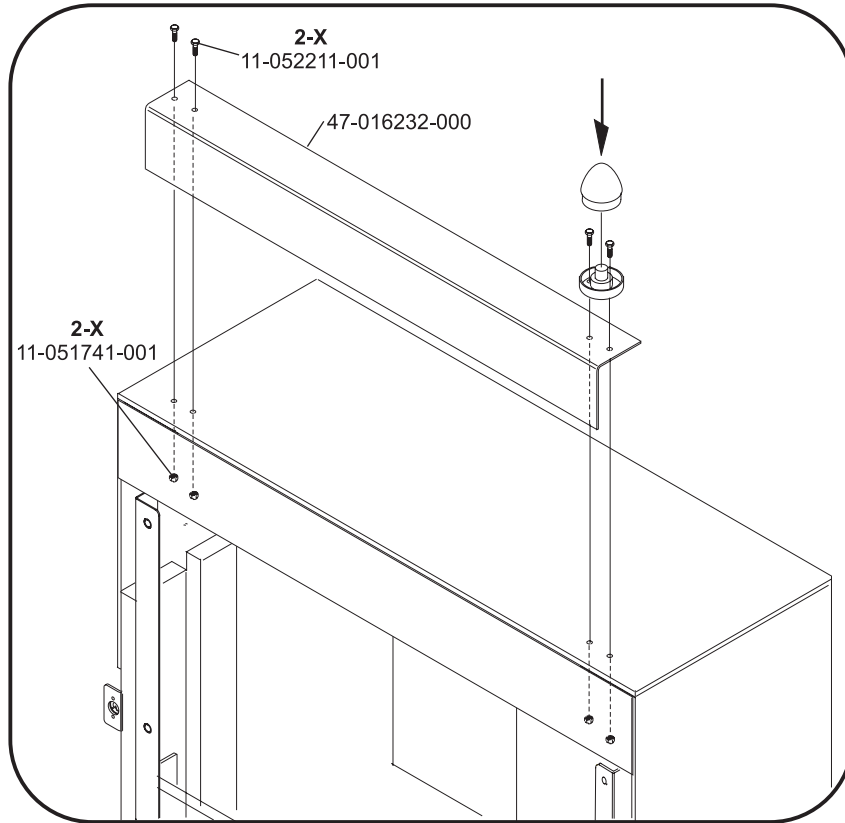
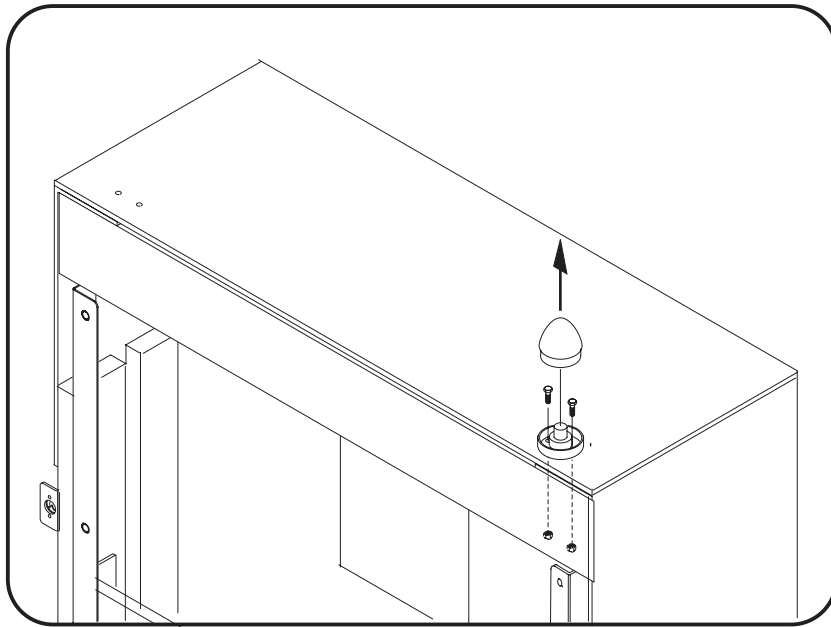


Figure 5

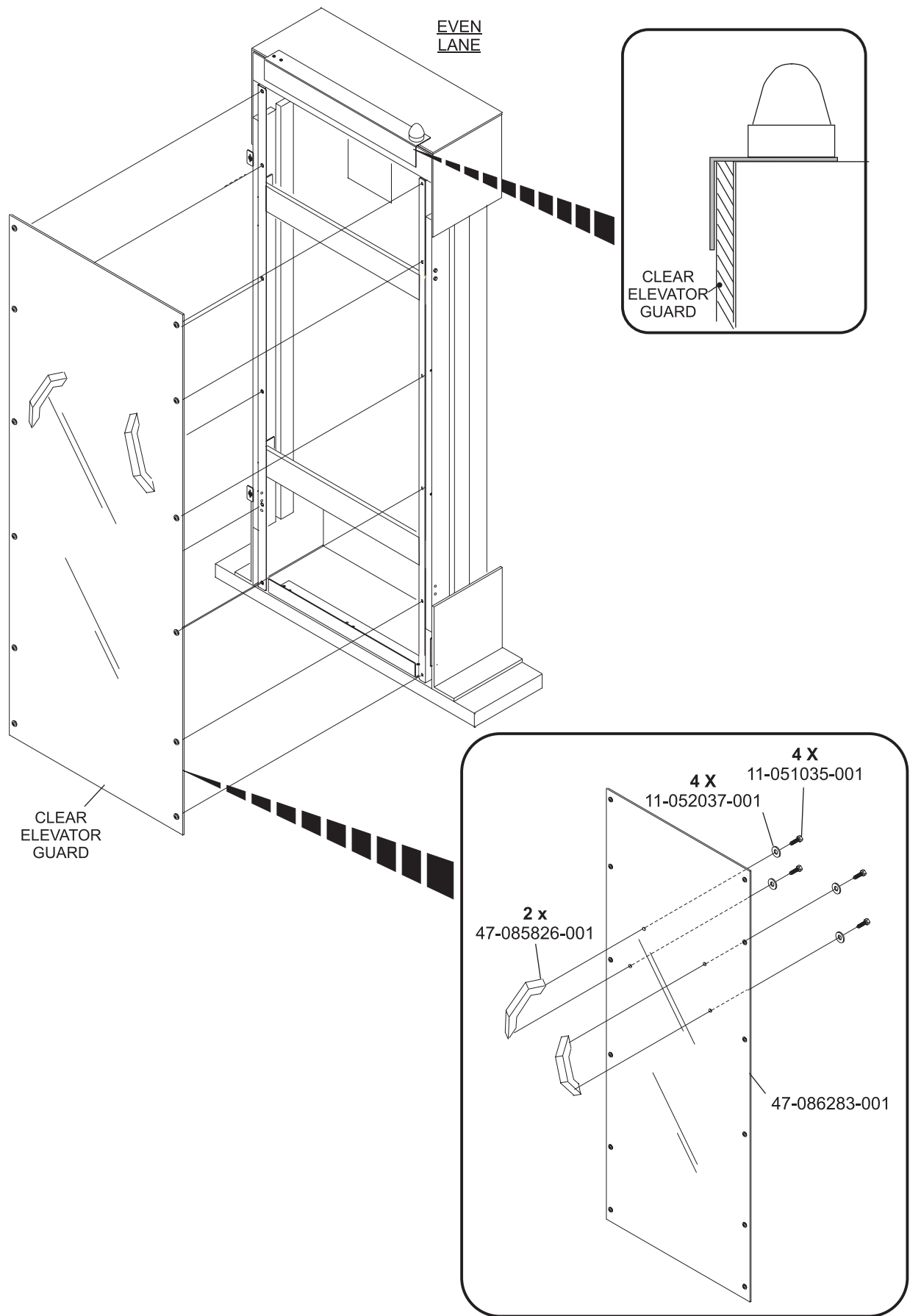


Figure 6

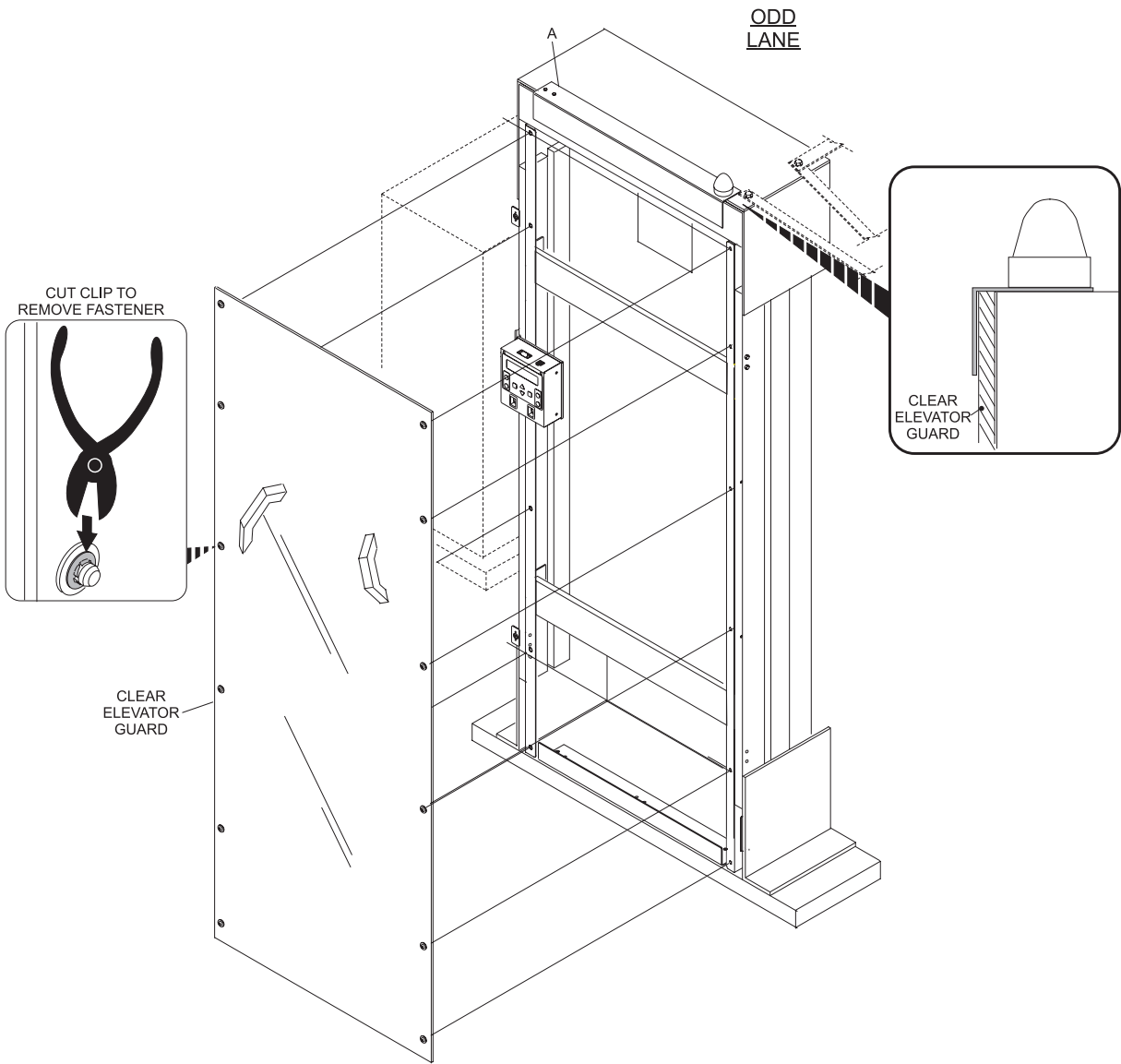


Figure 7



