

GS Overflow Sock Pin Cleaner

Packaging

2 ea.

1 Pkg.

47-860012-000

Plate

Pin Cleaning Mop (Pkg. of 2)

Tools Required

- Wrench - 10 mm

Instructions

1. Remove the two screws (6 mm x 16 mm) securing the overflow chute to the elevator bracket.
2. Reassemble with new plate between elevator bracket and the overflow chute mounting bracket (47-095729-004). Refer to *Figure 1*.

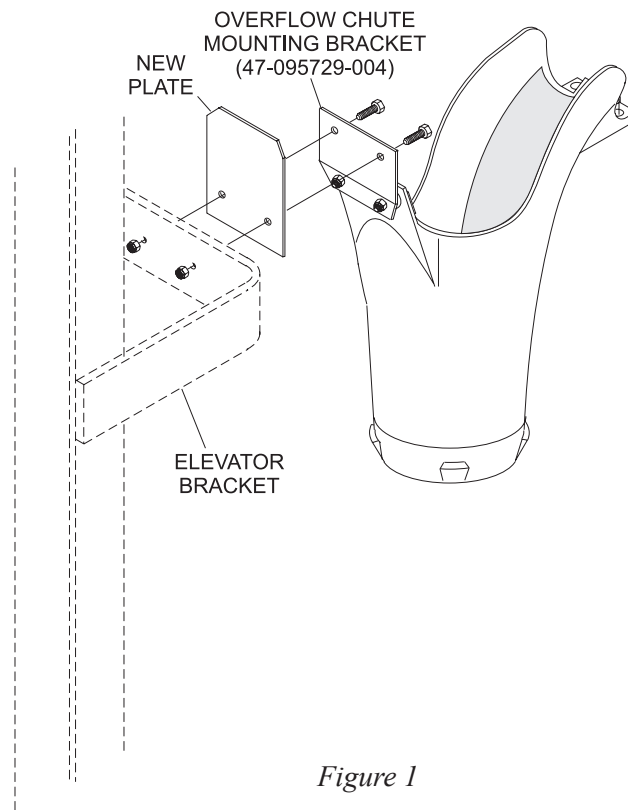


Figure 1

3. Place sleeve of the pin cleaning mop onto the new plate and let the mop suspend into the overflow chute. Refer to *Figure 2*.

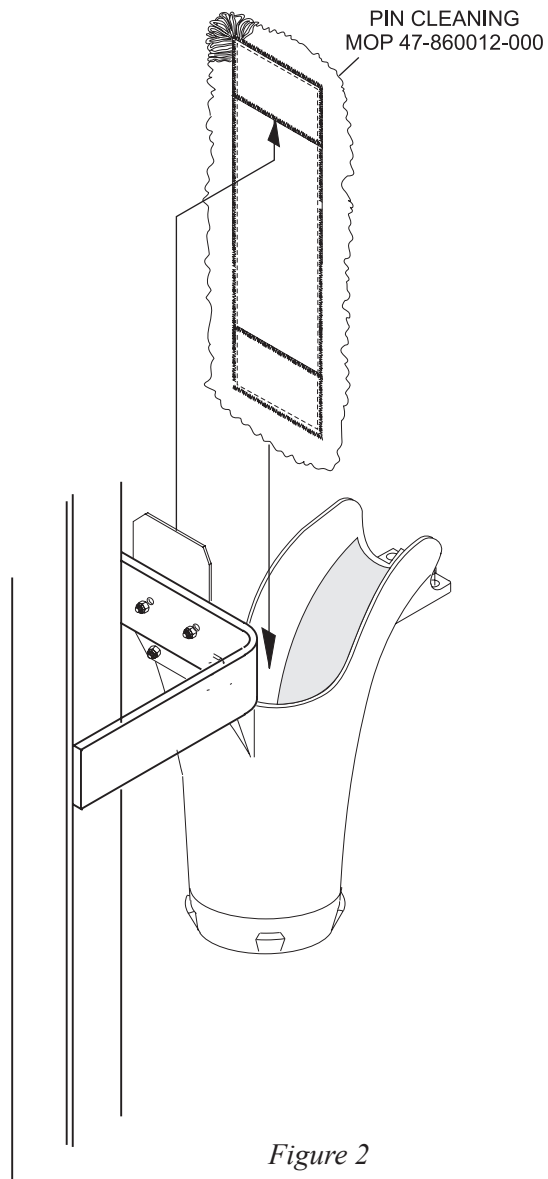


Figure 2

4. When bottom half of the pin cleaning mop becomes dirty, remove the mop, turn upside down and place opposite sleeve of mop onto the new plate.
5. When both ends are dirty, wash in cold water with home laundry detergent. Dry using low heat setting.