

GS-X Safety Controller Fuse Replacement

It has come to our attention that the wrong fuse was used in the GS-X Guarding Safety Controller, part number 47-142834-000. The wrong fuse is a 0.25 amp fuse. The correct fuse should be a 0.50 amp, 5mm x 20mm, 250 volt, slow blow, part number 11-685056-000.

Following are instructions to replace the fuse and add a 0.50 amp decal, "0.50A," to the Safety Controller.

i **NOTE:** *There are two versions of the GS-X Safety Controller. These instructions are **ONLY** for the Safety Controller, part number 47-142834-000.*

Tools Required

Screw Driver - blade

Packaging

<u>Qty</u>	<u>Part Number</u>	<u>Description</u>
1	11-685056-000	Fuse - 0.50 Amp, 5mm x 20mm, 250 volt, slow blow
1	11-681172-000	0.50 Amp Decal
1	47-902103-000	Instruction Sheet

Installation Procedure

1. Use screw driver to remove 0.25 amp fuse. Refer to *Figure 1*.
2. Replace the 0.25 amp fuse with the new 0.50 amp fuse, part number 11-685056-000, and reinstall.
3. Place new "0.50 A" decal, part number 11-681172-000, on top of "0.25 A" decal. Refer to *Figure 1*.

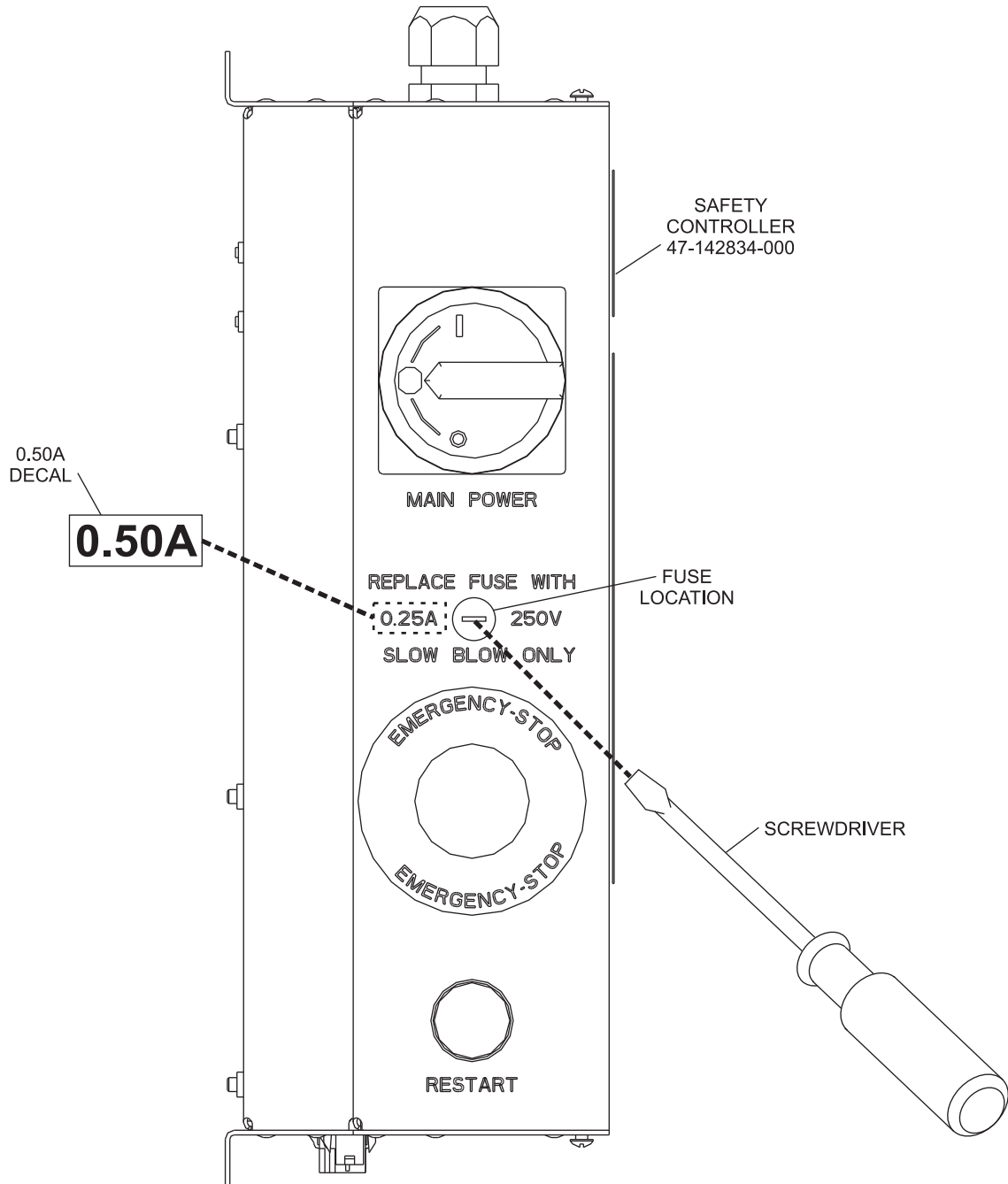


Figure 1