

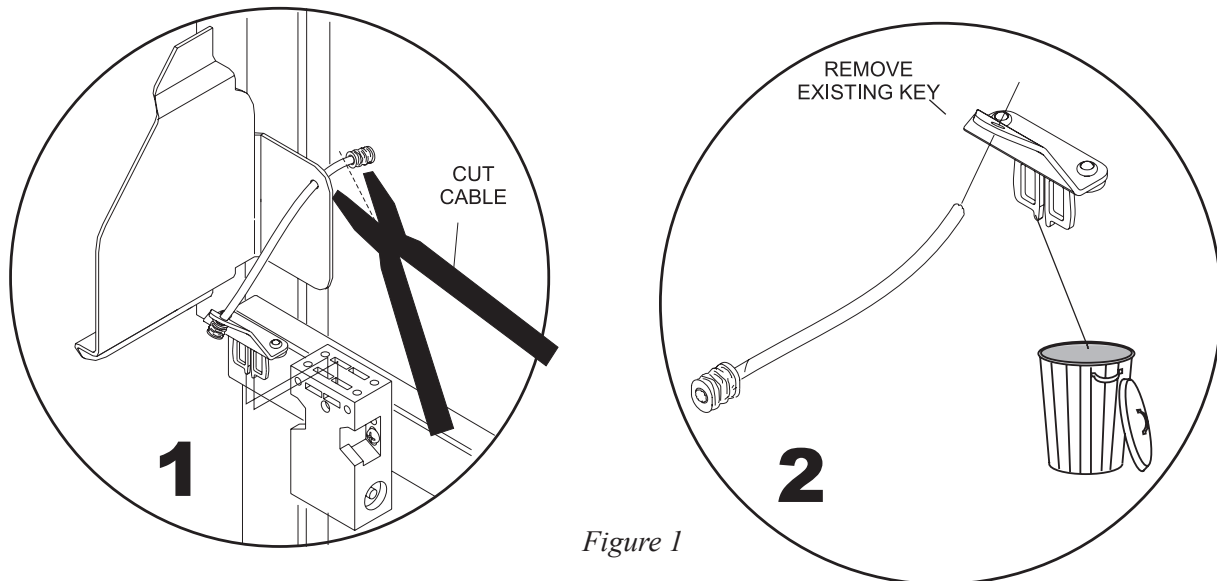
Masking Unit Coded Interlock Switch and Key

Packaging

QTY.	Part Number	Description
1	11-616085-000	Keyed Interlock Switch (Masking Unit)
1	57-214923-000	Sleeve-Oval

Interlock Switch Replacement

1. Remove old masking unit interlock key. Refer to *Figure 1*.



- a. Cut the air craft cable close to crimped oval sleeve.
- b. Remove old masking unit key from air craft cable and discard.

2. Install new masking unit key on air craft cable and slide through hole on masking unit.

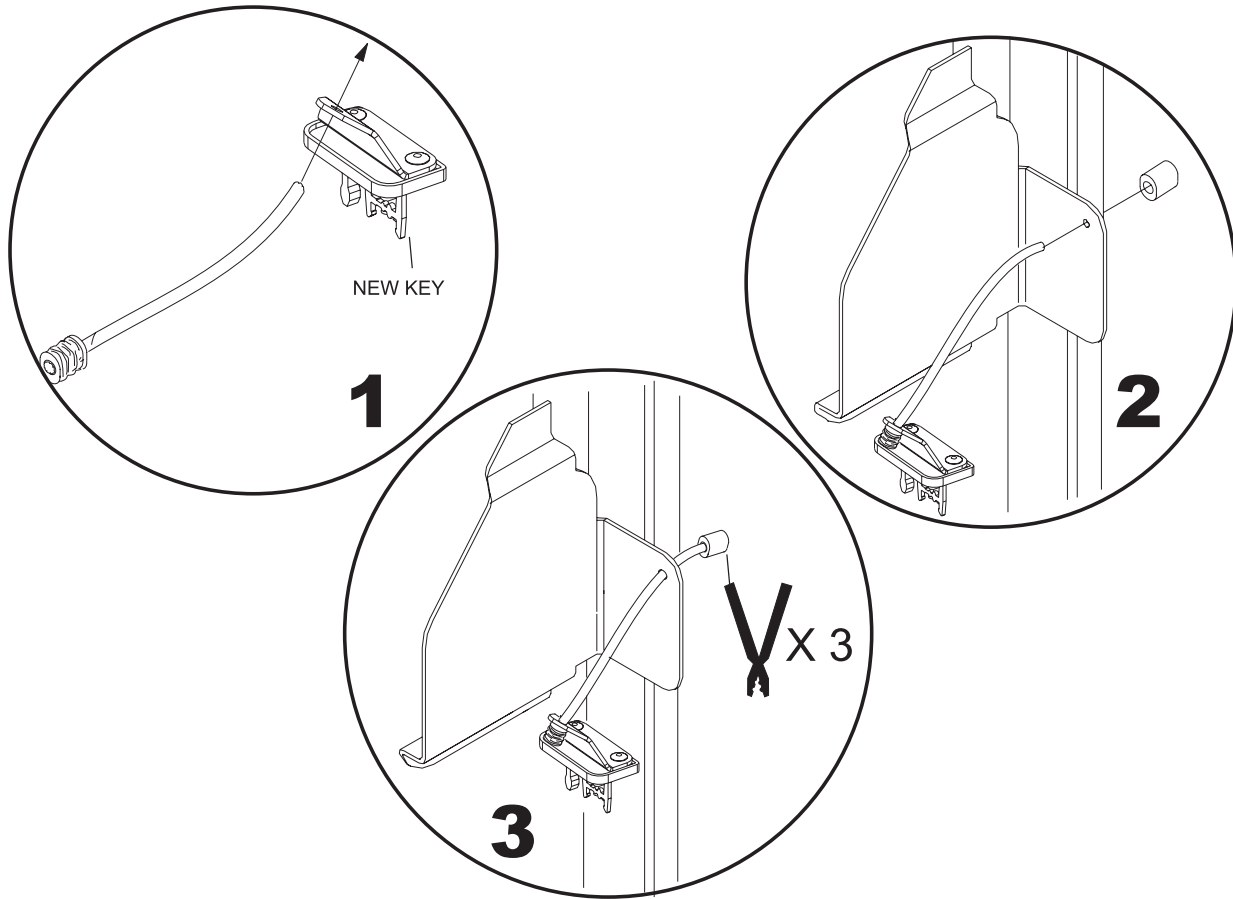


Figure 2

3. Crimp air craft cable with oval sleeve.

4. Remove the old masking unit interlock switch and throw it away. Refer to *Figure 3*.

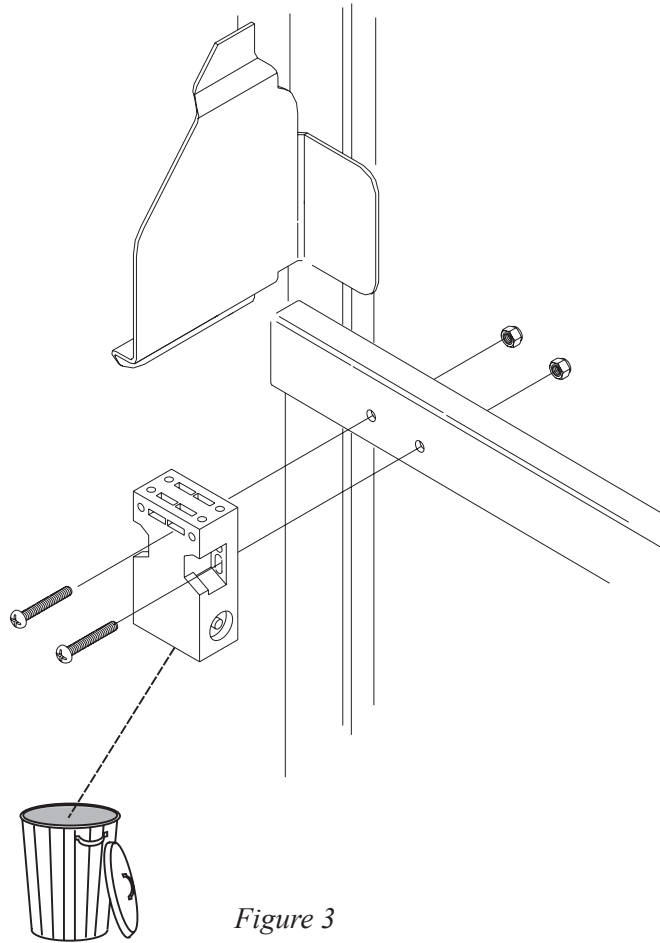


Figure 3

5. Install the new masking unit interlock switch with the same hardware used to install the old switch. Refer to *Figure 4*.

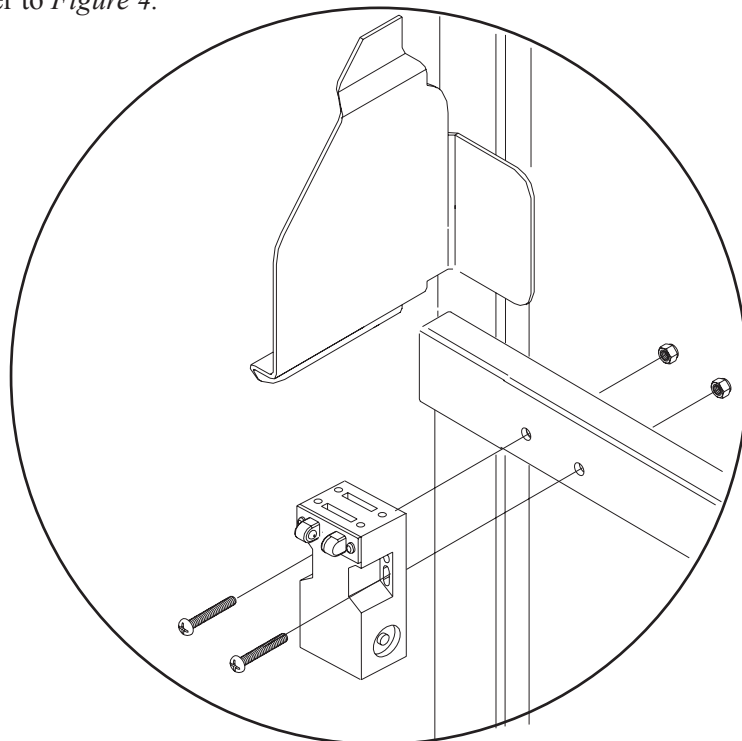


Figure 4

Masking Unit Interlock Switch

1. Remove the Red, Black, Green, and White wires from the existing Ball return Interlock Switch. *Figure 5.*

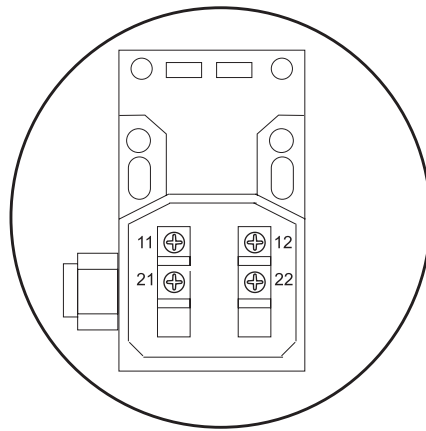


Figure 5

2. Install the Red, Black, Green, and White wires on the new Ball return Interlock Switch at terminals 21, 22, 31, and 32. *Figure 6.*

- A. Terminal 21 – Black
- B. Terminal 22 – Red
- C. Terminal 31 – Green
- D. Terminal 32 – White

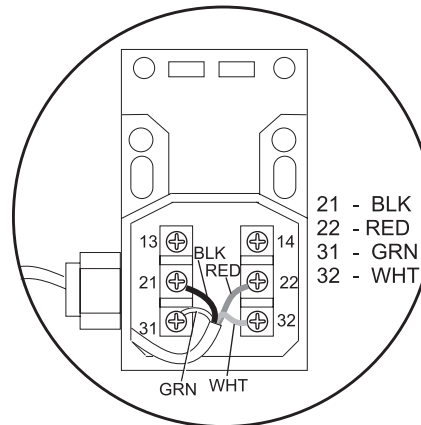


Figure 6