



*Pre-Installation Manual*

---

# **Brunswick Furniture**

November 2007 / 10-095400-051  
1107-14

**Brunswick<sup>®</sup>**   
CUSTOMER SERVICE  
A tradition in excellence.

## **Brunswick Furniture Pre-Installation Manual**

© November 2007 by the Brunswick Bowling and Billiards Corporation. All rights reserved.

Frameworkx and Striking Line are trademarks of the Brunswick Bowling and Billiards Corporation.

Reorder Part No. 10-095400-051

Notice: If available, updates to this manual can be found on-line at [www.brunswickbowling.com](http://www.brunswickbowling.com).

Confidential proprietary information. All information contained in this document is subject to change without notice.

Brunswick Bowling & Billiards Corporation  
525 West Laketon Avenue  
P.O. Box 329  
Muskegon, MI 49443-0329  
U.S.A.

231.725.3300

---

## Safety

Throughout this publication, “Warnings” and “Cautions” (accompanied by one of the International HAZARD Symbols) are used to alert the mechanic to special instructions concerning a particular service or operation that may be hazardous if performed incorrectly or carelessly. They are defined below. **OBSERVE AND READ THEM CAREFULLY!**

These “Safety Alerts” alone cannot eliminate the hazards that they signal. Strict compliance to these special instructions when performing the service, plus training and “Common Sense” operation are major accident prevention measures.



**WARNING!** Will designate a mechanical or nonelectrical alert which could potentially cause personal injury or death.



**WARNING!** Will designate electrical alerts which could potentially cause personal injury or death.



**CAUTION!** Will designate a mechanical or nonelectrical alert which could potentially cause product damage.



Will designate grounding alerts.



**NOTE or IMPORTANT!:** Will designate significant informational notes.

---

# Contents

<b>Section 1: Frameworkx Furniture Layouts</b> .....	<b>7</b>
Competition Series .....	7
9' Bowlers Area .....	7
12' Bowlers Area .....	7
15' Bowlers Area .....	7
Celebration Series .....	8
9' Bowlers Area .....	8
12' Bowlers Area .....	8
15' Bowlers Area .....	8
<b>Section 2: Striking Line Furniture Layouts</b> .....	<b>9</b>
Competition Series .....	9
9' Bowlers Area .....	9
12' Bowlers Area .....	9
15' Bowlers Area .....	10
Celebration Series .....	11
15' Bowlers Area .....	11
Manhattan Series .....	12
9' Bowlers Area .....	12
12' Bowlers Area .....	12
15' Bowlers Area .....	12
<b>Section 3: Frameworkx/Striking Line Furniture Layouts</b> .....	<b>13</b>
Competition Series .....	13
9' Bowlers Area .....	13
12' Bowlers Area .....	13
15' Bowlers Area .....	13
Celebration Series .....	14
15' Bowlers Area .....	14
Manhattan Series .....	15
9' Bowlers Area .....	15
12' Bowlers Area .....	15
15' Bowlers Area .....	15

<b>Section 4: Frameworkx Furniture Specifications .....</b>	<b>17</b>
Frameworkx® Furniture .....	17
Bowler Tabletop Seating .....	18
Triangular Tabletop .....	18
Oval Tabletop .....	18
Oval Tabletop - Reduced Length .....	19
Modular Wall .....	20
Rectangular Top .....	20
Rectangular Top w/Attached Seating .....	20
Round End Top .....	21
Round Top w/Attached Seating .....	21
Trapezoid Top .....	22
Trapezoid Top w/Attached Seating .....	22
Half Width Rectangular Top .....	23
Triangular Top .....	23
Coat Hanger for Modular Wall .....	24
Shelf for Modular Walls .....	24
Ball Rack For Modular Walls .....	25
Trash Receptacle .....	25
Twin Seat Bench Seating .....	26
Plastic Drink Holder .....	26
End Table w/Holes .....	26
Ball Return Rack and Hood .....	27
Ball Racks .....	28
Circular House Ball Rack w/LCD - Tall/Short .....	28
Circular House Ball Rack - Tall/Short .....	29
In-Line House Ball Rack w/Top .....	29
Tables and Chairs .....	30
Cocktail Table Bar - Tall/Short .....	30
Triangle Table w/Leaning Rail .....	30
Free Standing Chair - Tall/Short .....	31
Premium Free Standing Chair - Tall/Short .....	31
Contour Seat .....	32
<b>Section 5: Striking Line Furniture Specifications .....</b>	<b>33</b>
Striking Line™ Furniture .....	33
Coffee Table .....	34
Narrow Coffee Table .....	34
Sofa Table .....	35
Sofa .....	35
Modwall .....	36
Optional Modwall Swing/Swivel Seats .....	36
Free Standing Bar Height Chair .....	37

Intentionally Blank Page

# Section 1: Framework Furniture Layouts

## Competition Series

### 9' Bowlers Area

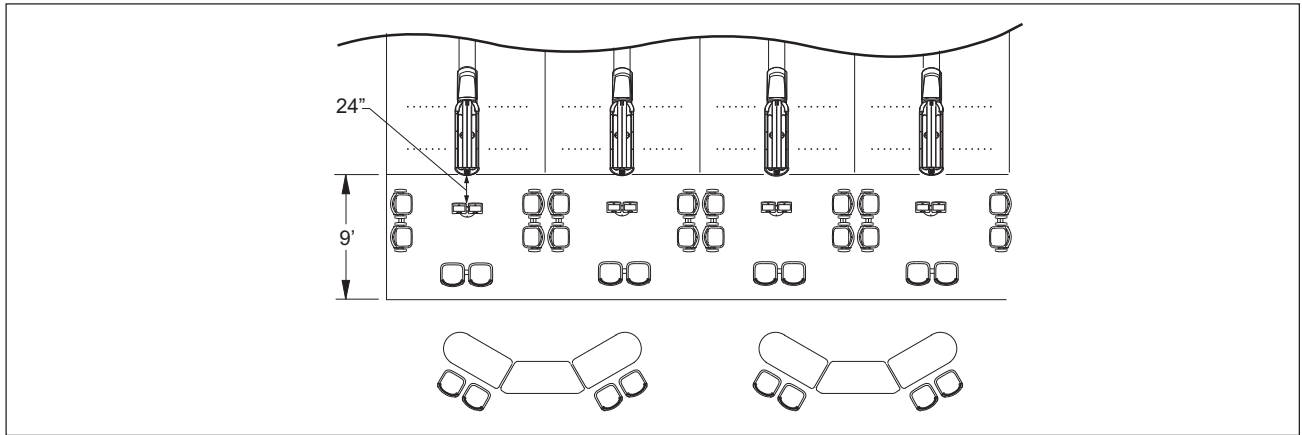


Figure 1. Framework Competition Series with 9' Bowler's Area

### 12' Bowlers Area

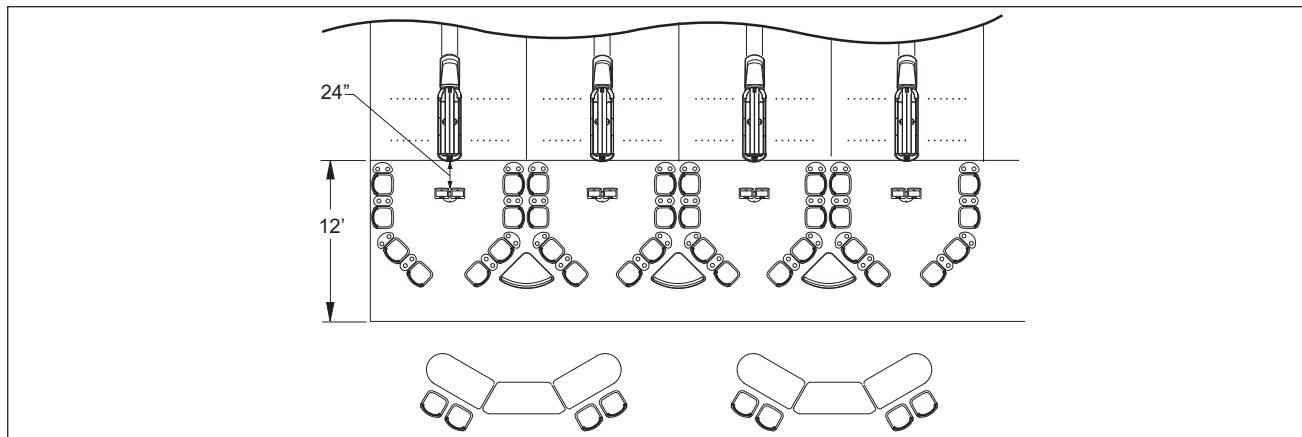


Figure 2. Framework Competition Series with 12' Bowler's Area

### 15' Bowlers Area

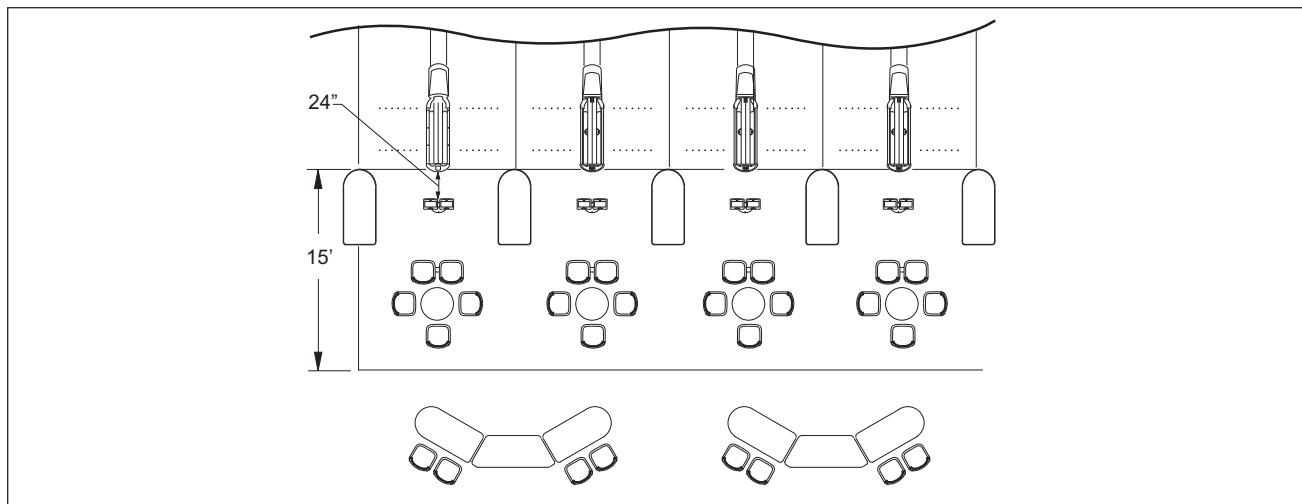


Figure 3. Framework Competition Series with 9' Bowler's Area

# Celebration Series

## 9' Bowlers Area

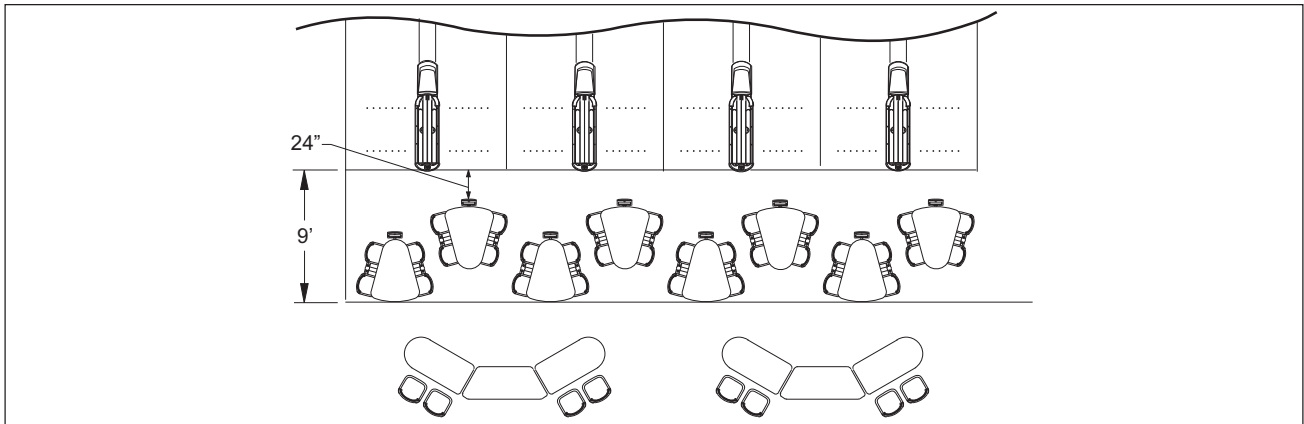


Figure 4. Frameworkx Celebration Series with 9' Bowler's Area

## 12' Bowlers Area

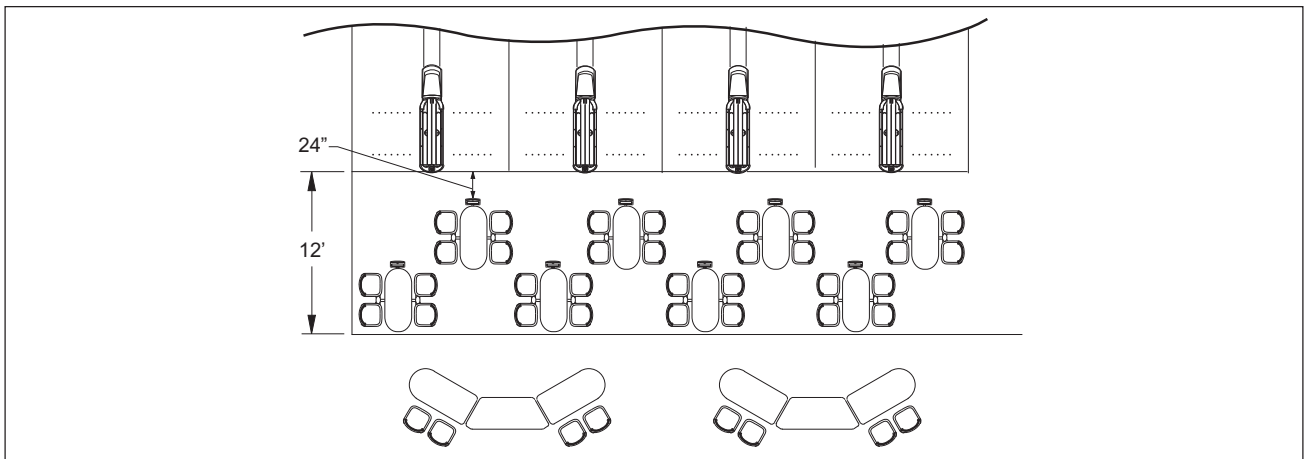


Figure 5. Frameworkx Celebration Series with 12' Bowler's Area

## 15' Bowlers Area

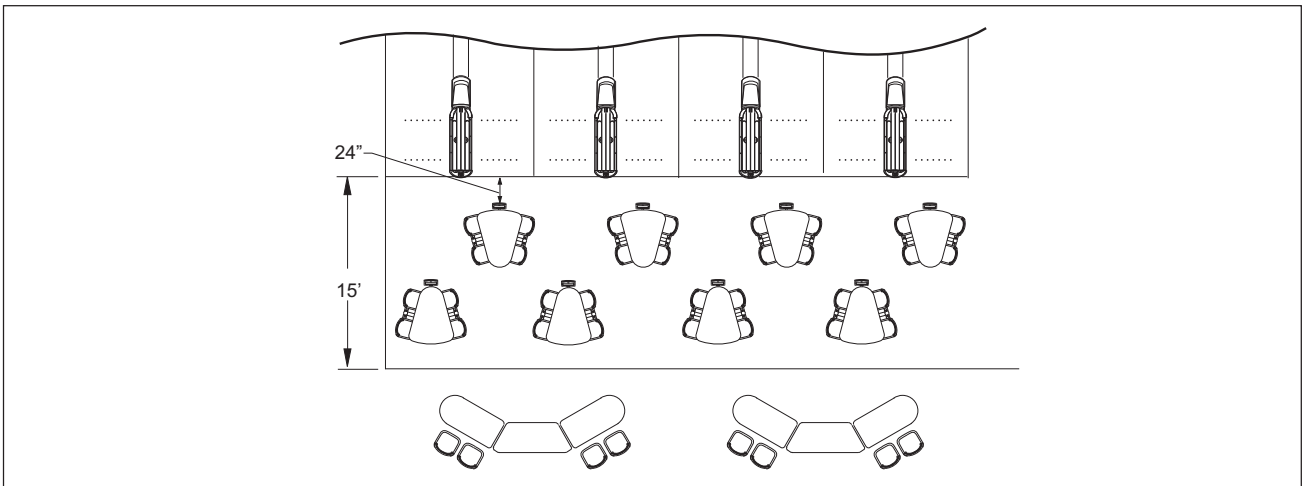


Figure 6. Frameworkx Celebration Series with 15' Bowler's Area



# Section 2: Striking Line Furniture Layouts

## Competition Series

### 9' Bowlers Area

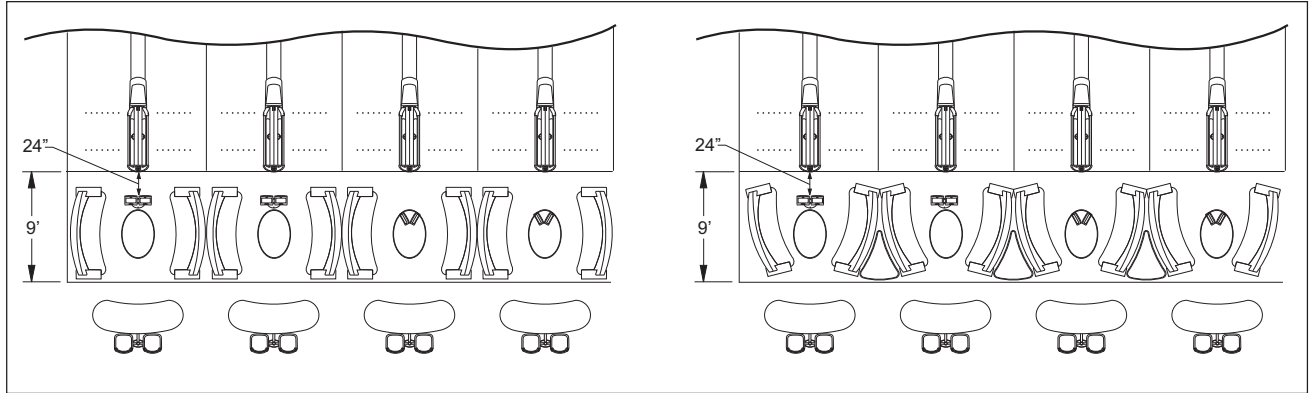


Figure 7. Striking Line Competition Series with 9' Bowler's Area

### 12' Bowlers Area

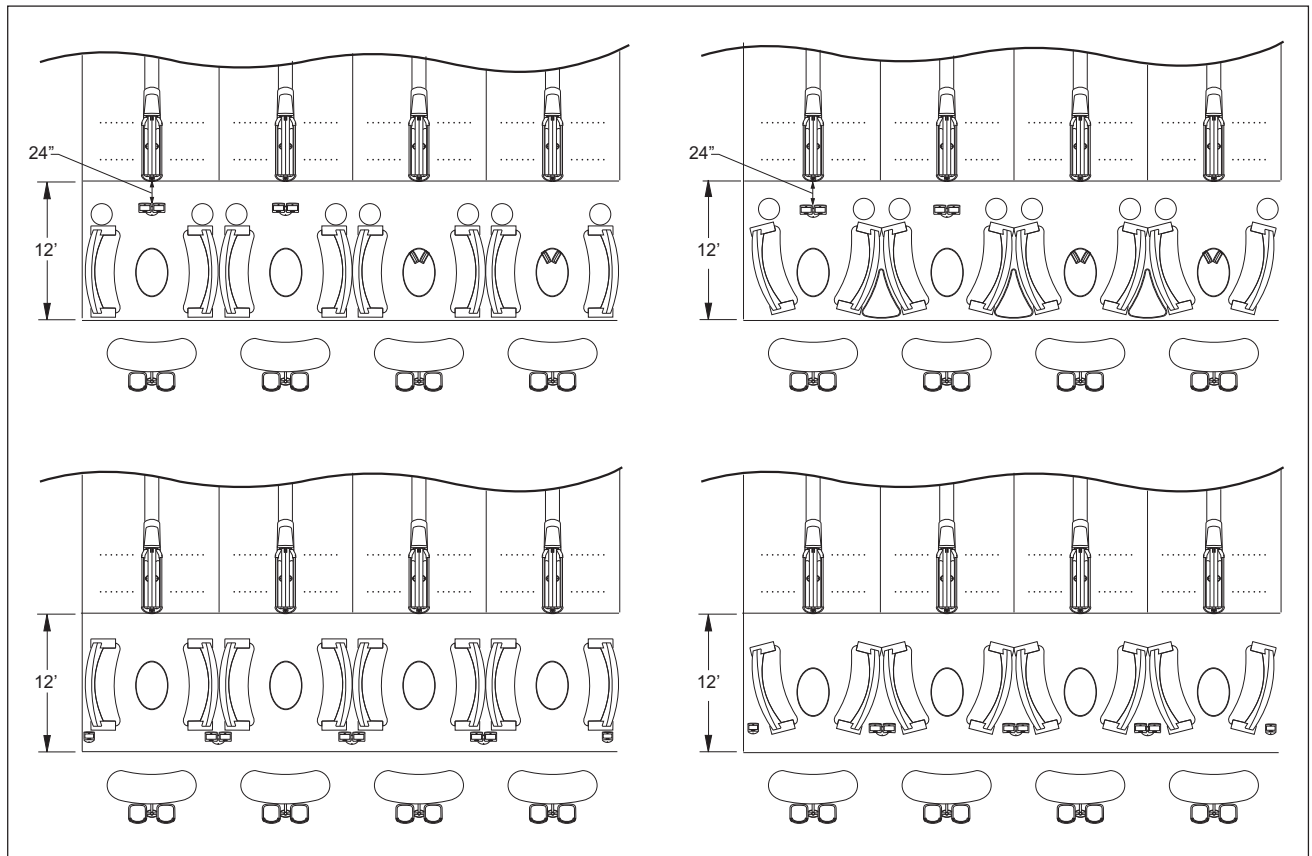


Figure 8. Striking Line Competition Series with 12' Bowler's Area

## 15' Bowlers Area

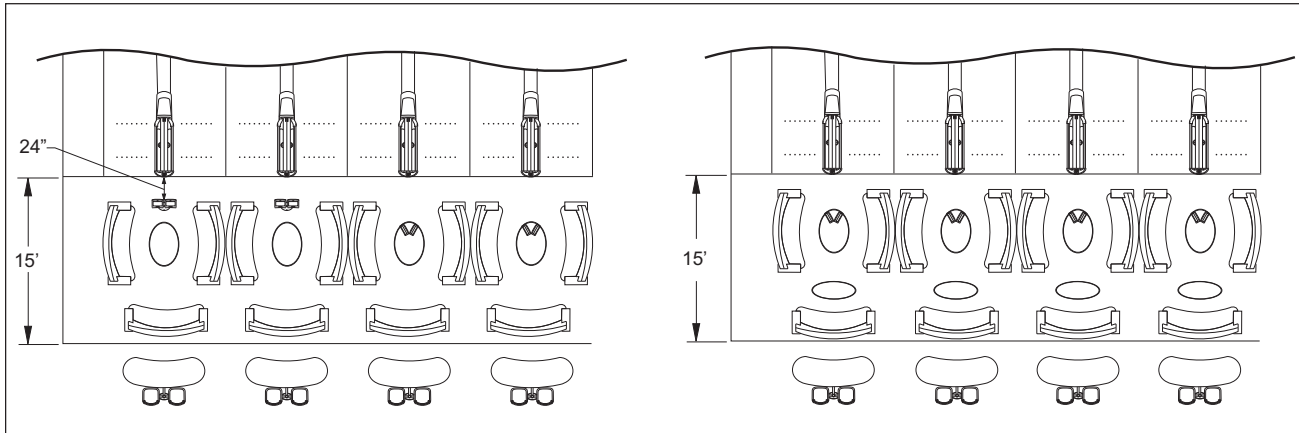


Figure 9. Striking Line Competition Series with 15' Bowler's Area

# Celebration Series

## 15' Bowlers Area

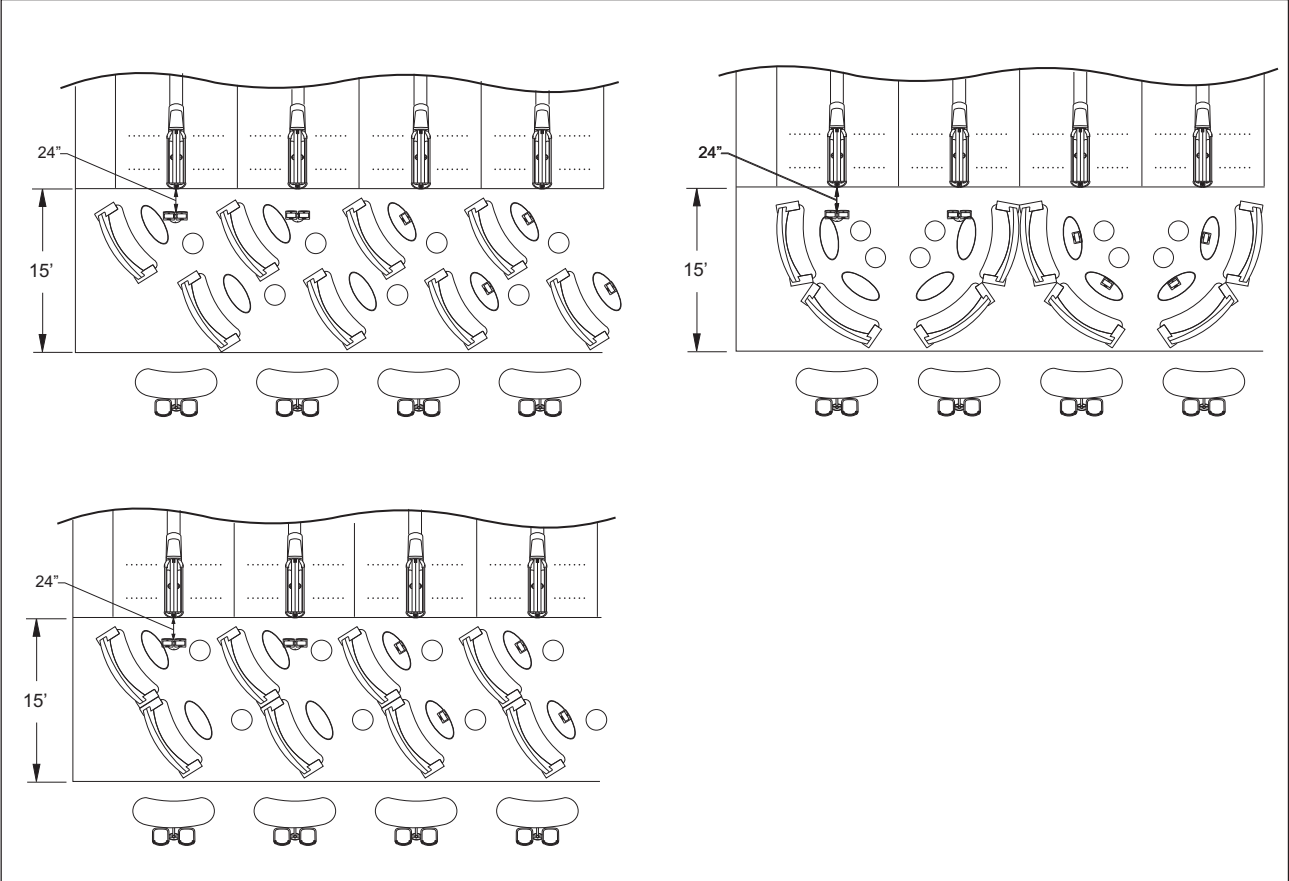


Figure 10. Striking Line Celebration Series with 15' Bowler's Area

# Manhattan Series

## 9' Bowlers Area

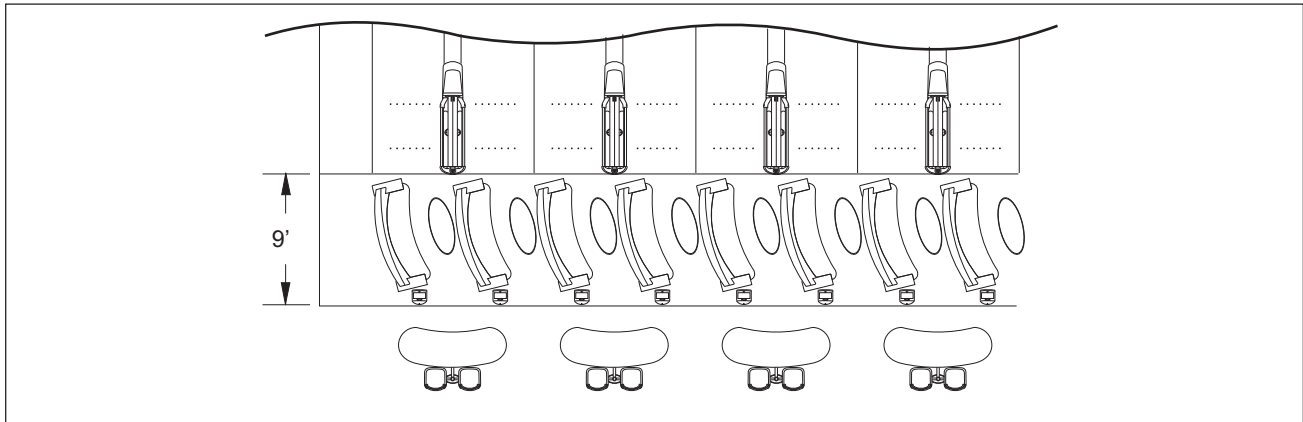


Figure 11. Striking Line Manhattan Series with 9' Bowler's Area

## 12' Bowlers Area

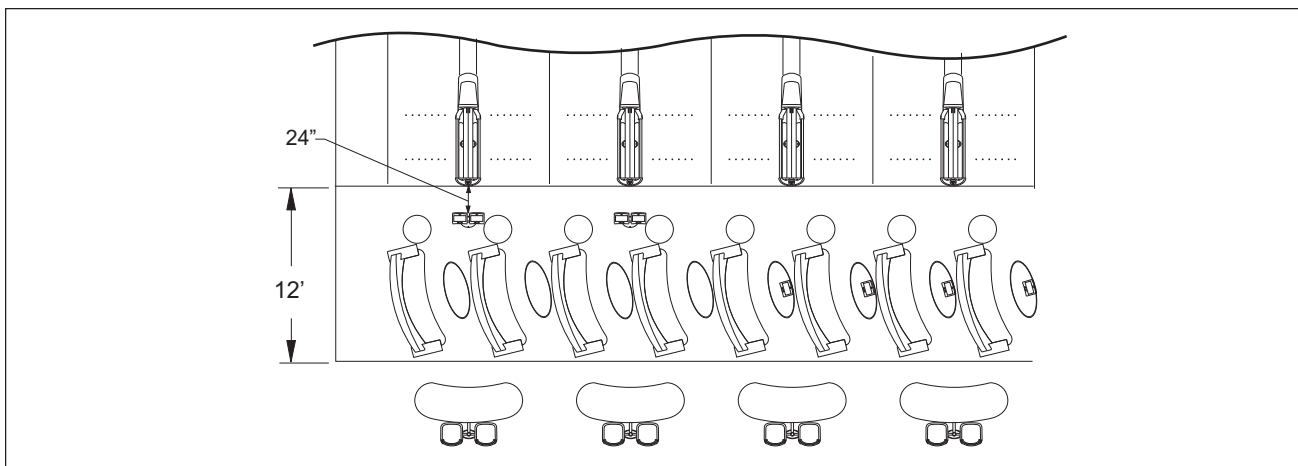


Figure 12. Striking Line Manhattan Series with 12' Bowler's Area

## 15' Bowlers Area

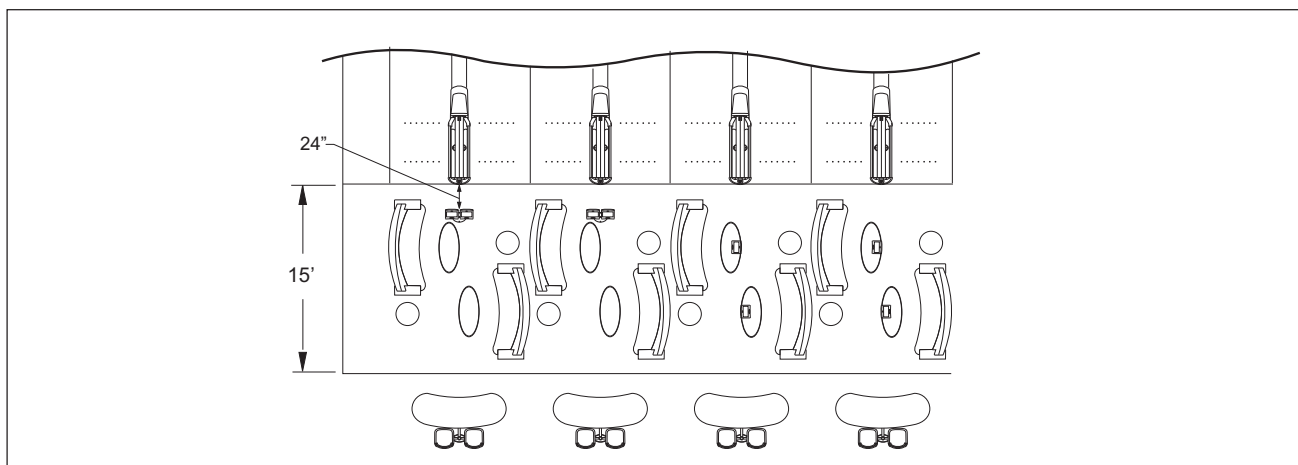


Figure 13. Striking Line Manhattan Series with 15' Bowler's Area

# Section 3: Framework/Striking Line Furniture Layouts

## Competition Series

### 9' Bowlers Area

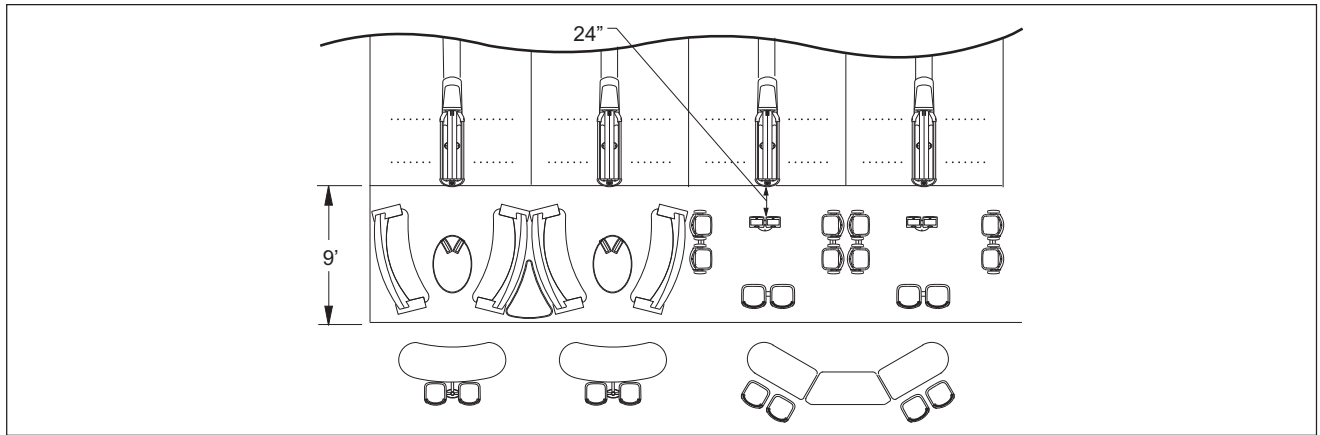


Figure 14. Framework and Striking Line Competition Series with 9' Bowler's Area

### 12' Bowlers Area

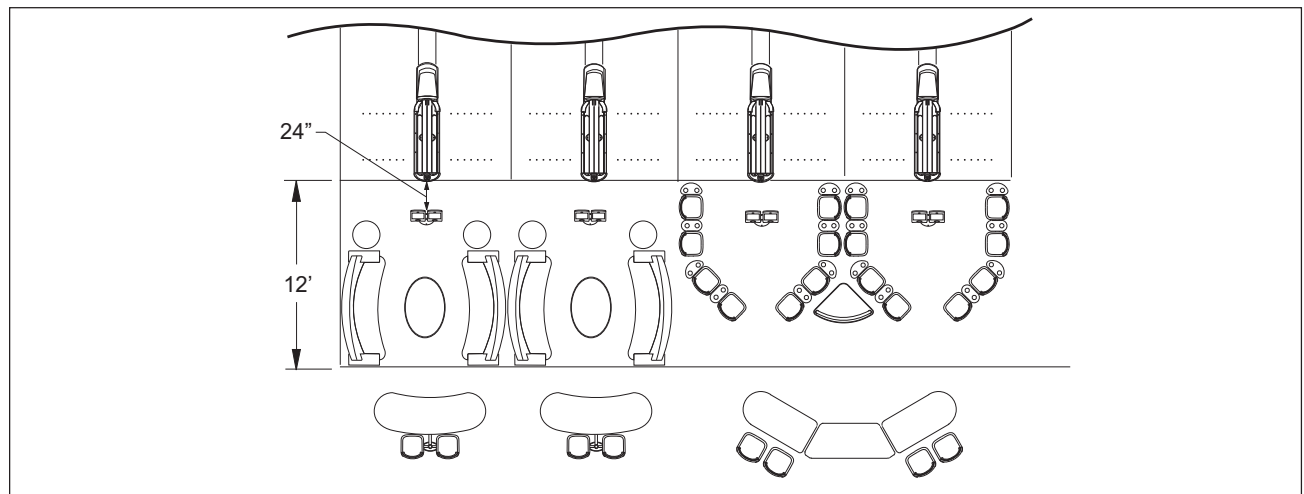


Figure 15. Framework and Striking Line Competition Series with 12' Bowler's Area

### 15' Bowlers Area

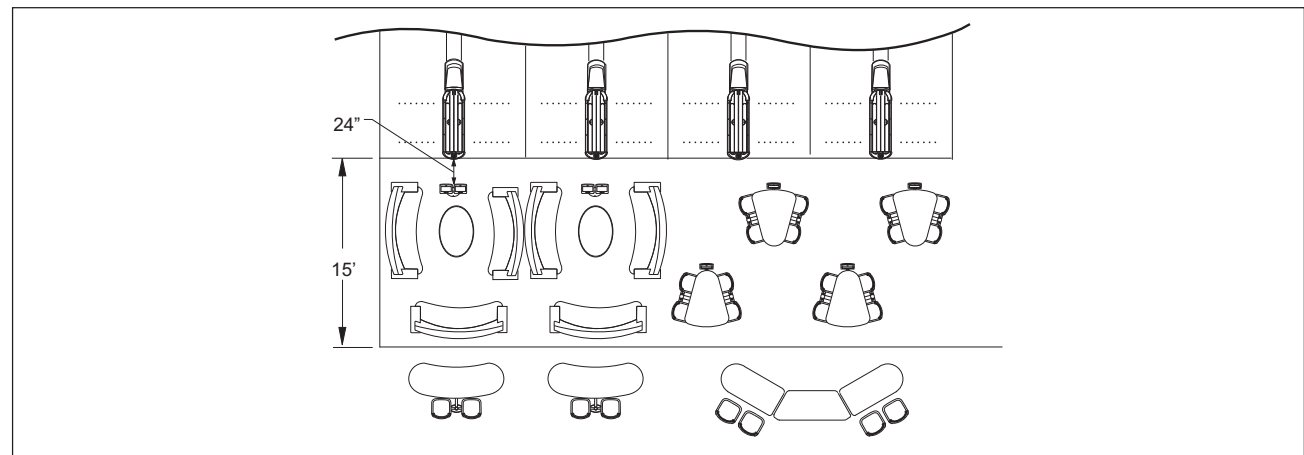


Figure 16. Framework and Striking Line Competition Series with 15' Bowler's Area

# Celebration Series

## 15' Bowlers Area

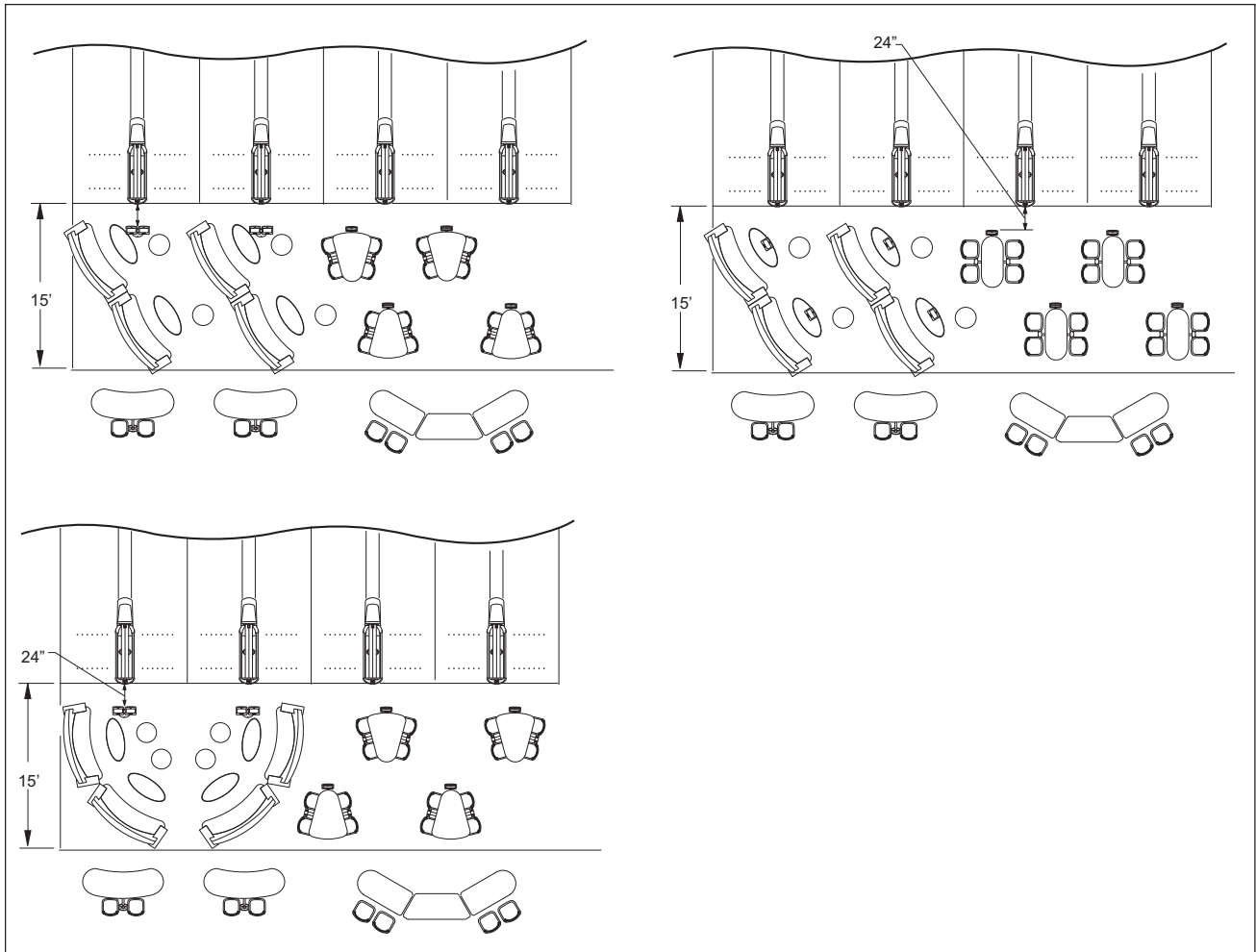


Figure 17. Framework and Striking Line Celebration Series with 15' Bowler's Area

# Manhattan Series

## 9' Bowlers Area

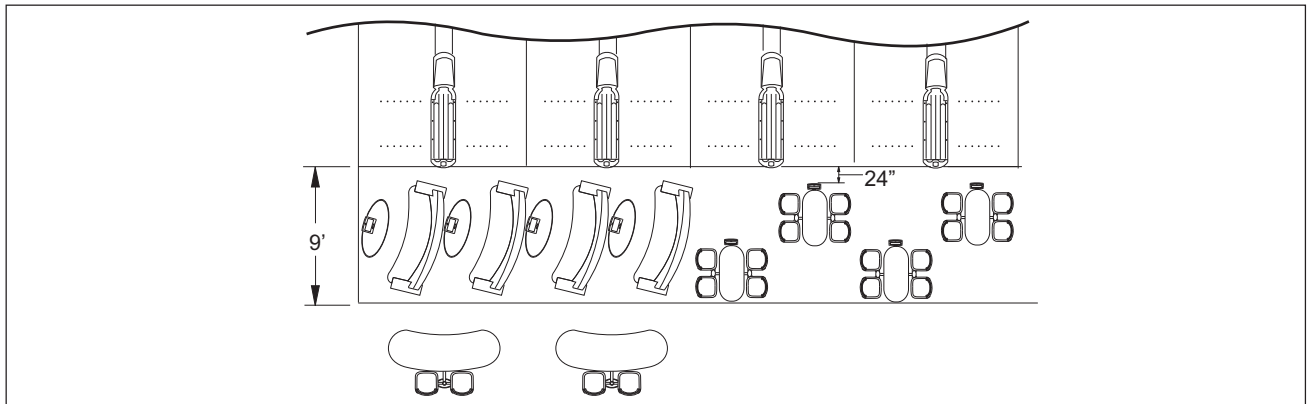


Figure 18. Framework and Striking Line Manhattan Series with 9' Bowler's Area

## 12' Bowlers Area

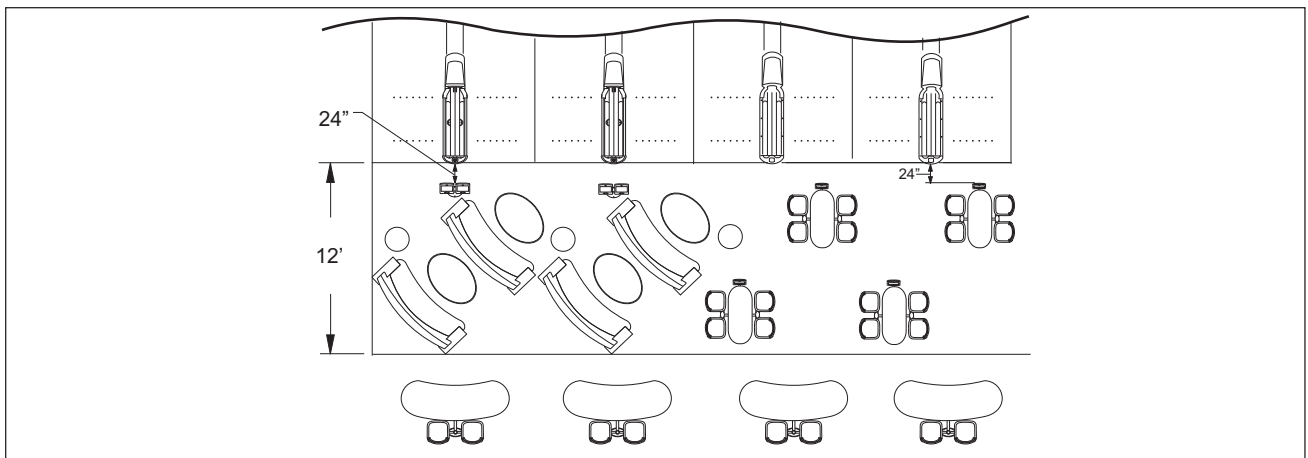


Figure 19. Framework and Striking Line Manhattan Series with 12' Bowler's Area

## 15' Bowlers Area

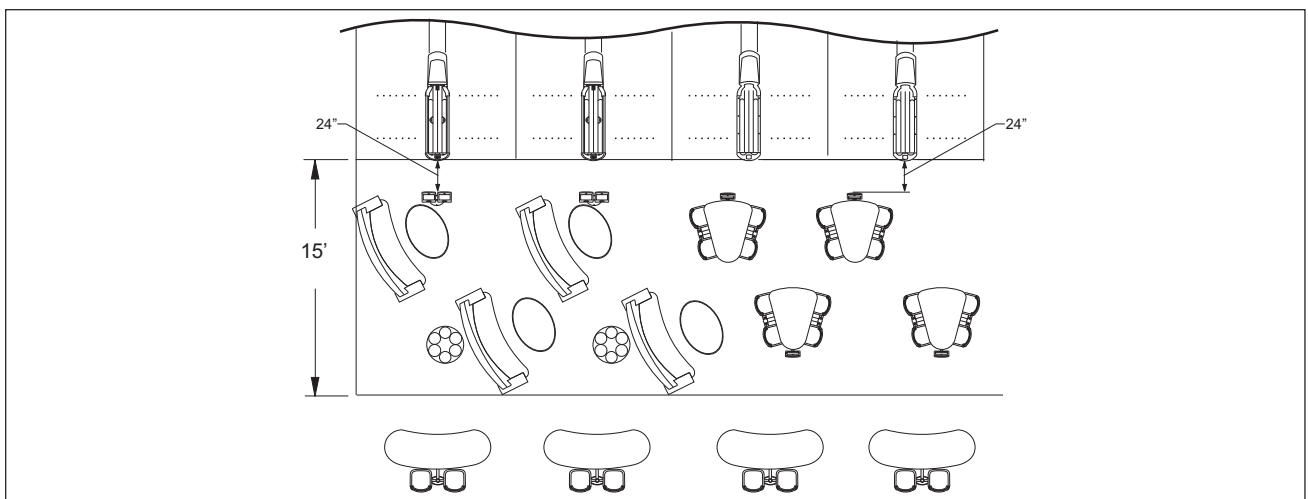


Figure 20. Framework and Striking Line Manhattan Series with 15' Bowler's Area

Intentionally Blank



## Section 4: Framework Furniture Specifications

---

### Framework® Furniture

The Framework Line by Brunswick has revolutionized the way centers function today. Customer-friendly seating and configuration flexibility have removed old barriers and allowed centers to improve traffic flow and free up valuable concourse space for additional revenue generators, such as amusements, restaurants, and snack bars.

The ergonomically designed furniture allows for a comfortable, neat looking center and eliminates the need for personnel to straighten chairs. Multiple furniture options offer configuration flexibility allowing bowlers to see the action from every seat.

The fixed seating option is a booth type setting. Swivel seats include a memory swivel with a 90 degree turning span. The chair rotates from right to left, moves out away from the table, and automatically returns to its original position behind the table. House ball racks create storage near the lanes or create additional food and beverage surfaces.

Framework furniture frames are constructed of tubular steel and coated with abrasion resistant paint. Frames have out riggers that are leveled and feature a locking mechanism that employs Hilti™ anchors to permanently secure to the floor.

The table tops are constructed of engineered wood composite and covered with durable laminates. Table tops are available with glow-in-the-dark or premium non-glow laminates.

Visible under black light, Cosmic laminates offer a glow-in-the-dark bowling pattern and table edge molding coordinates with selected accent color. Premium non-glow laminates offer the center a rich look that is accented with black table edge molding.

The standard seating is made from a high density polyethylene plastic, built to withstand the rigors of the bowling environment. Flame resistant seats are also available to meet the EU requirements. The standard seats have colored inserts to coordinate with table edge molding color accents. Premium seats consist of a steel frame and are finished with oven-baked epoxy/polyester powder coating. The wood finish is available in dark cherry finish on oak or natural finish on maple.

Some tables accommodate an optional, patented table-mounted scoring console with LCD or keypad. Refer to product specifications for details.

# Bowler Tabletop Seating

## Triangular Tabletop

Swing Swivel w/Contour Seats

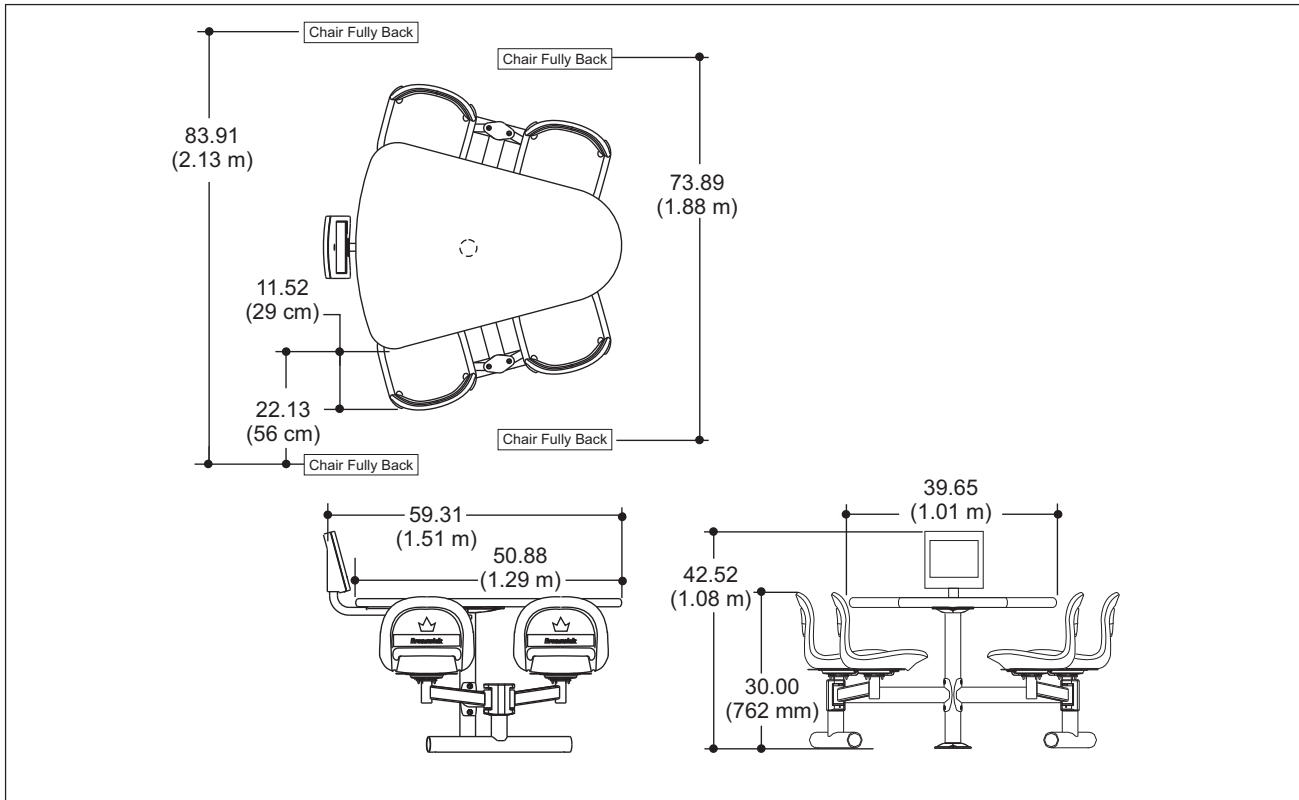


Figure 21. Frameworkx Triangular Tabletop Seating

## Oval Tabletop

Swing Swivel w/Contour Seats

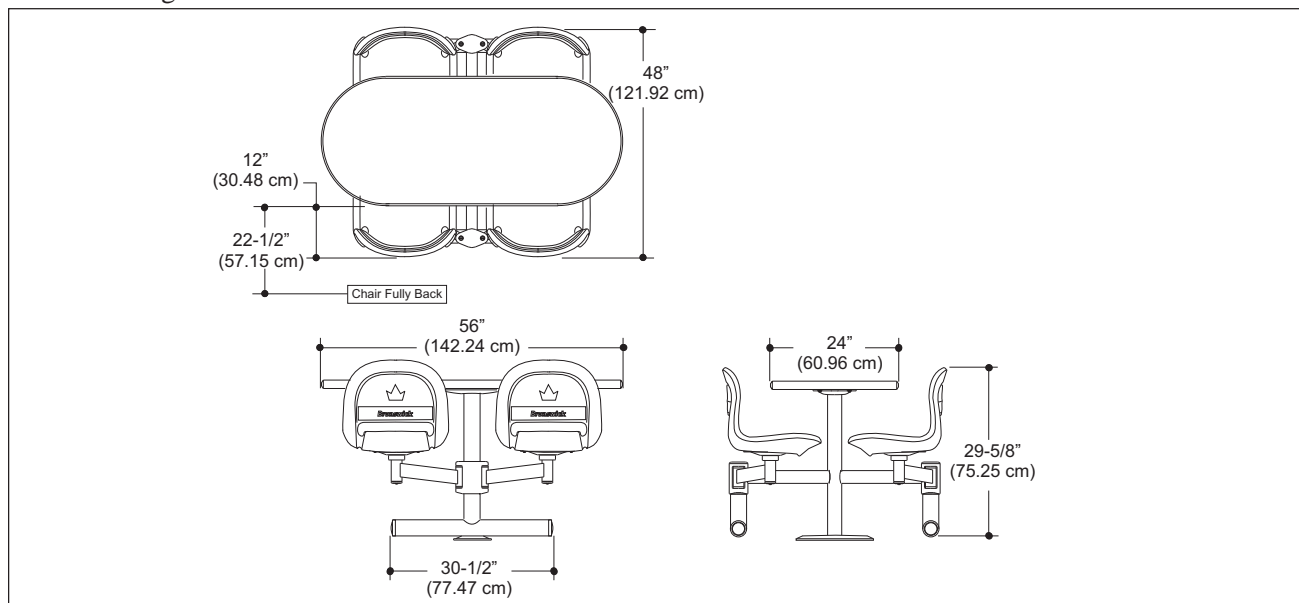


Figure 22. Frameworkx Oval Tabletop Seating

# Oval Tabletop - Reduced Length

Swing Swivel w/Contour Seats

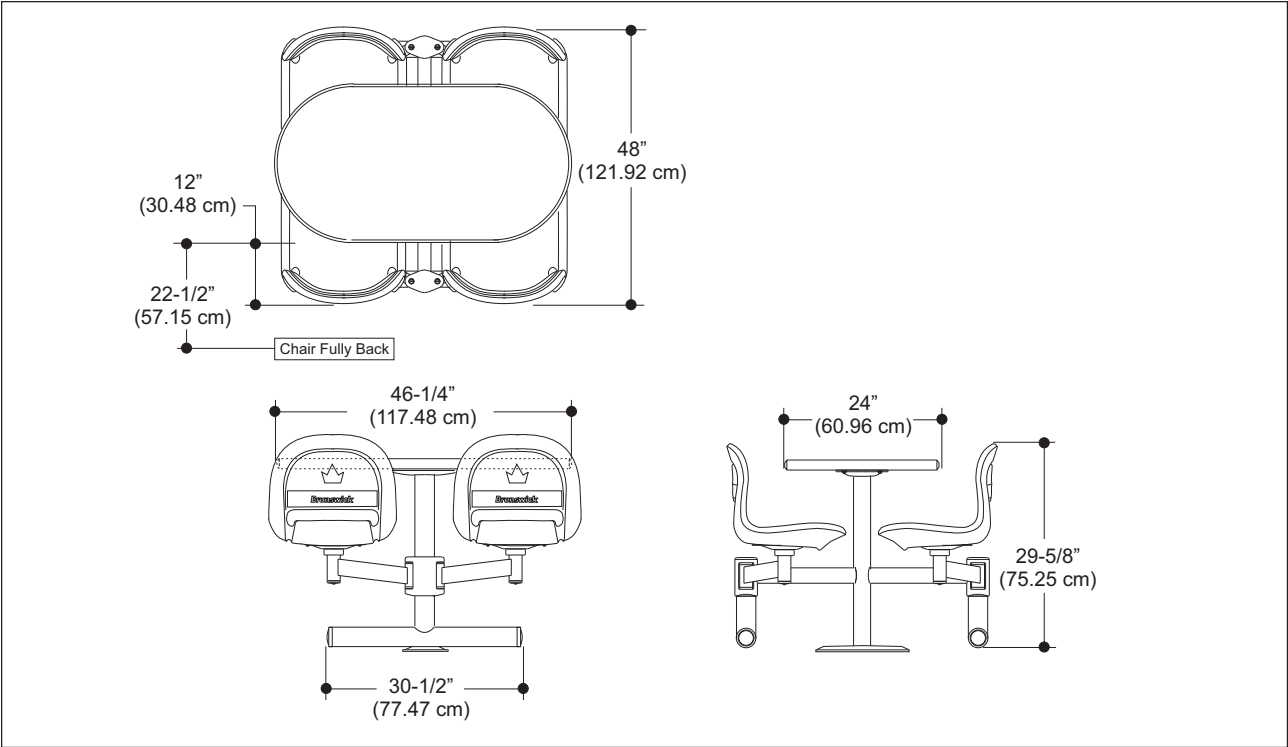


Figure 23. Frameworkx Oval Tabletop - Reduced Length Seating

# Modular Wall

## Rectangular Top

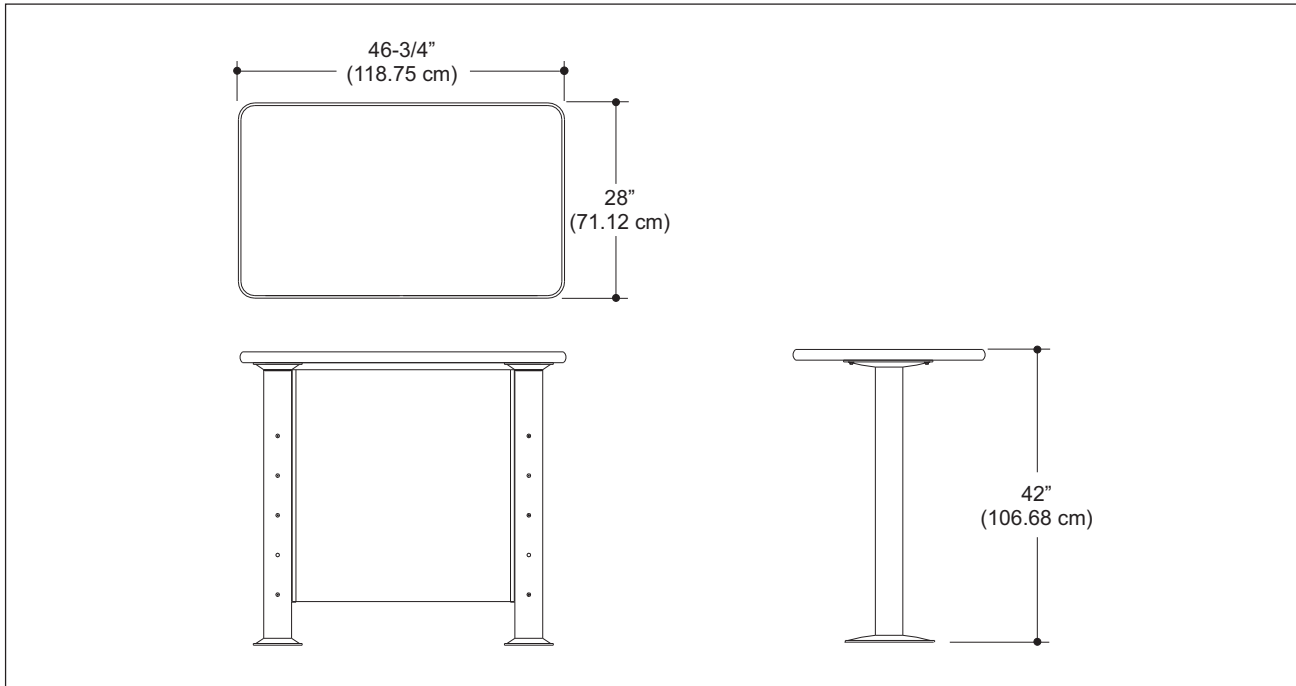


Figure 24. Frameworkx Modwall Rectangular Top

## Rectangular Top w/Attached Seating

Swing Swivel w/Contour Seats

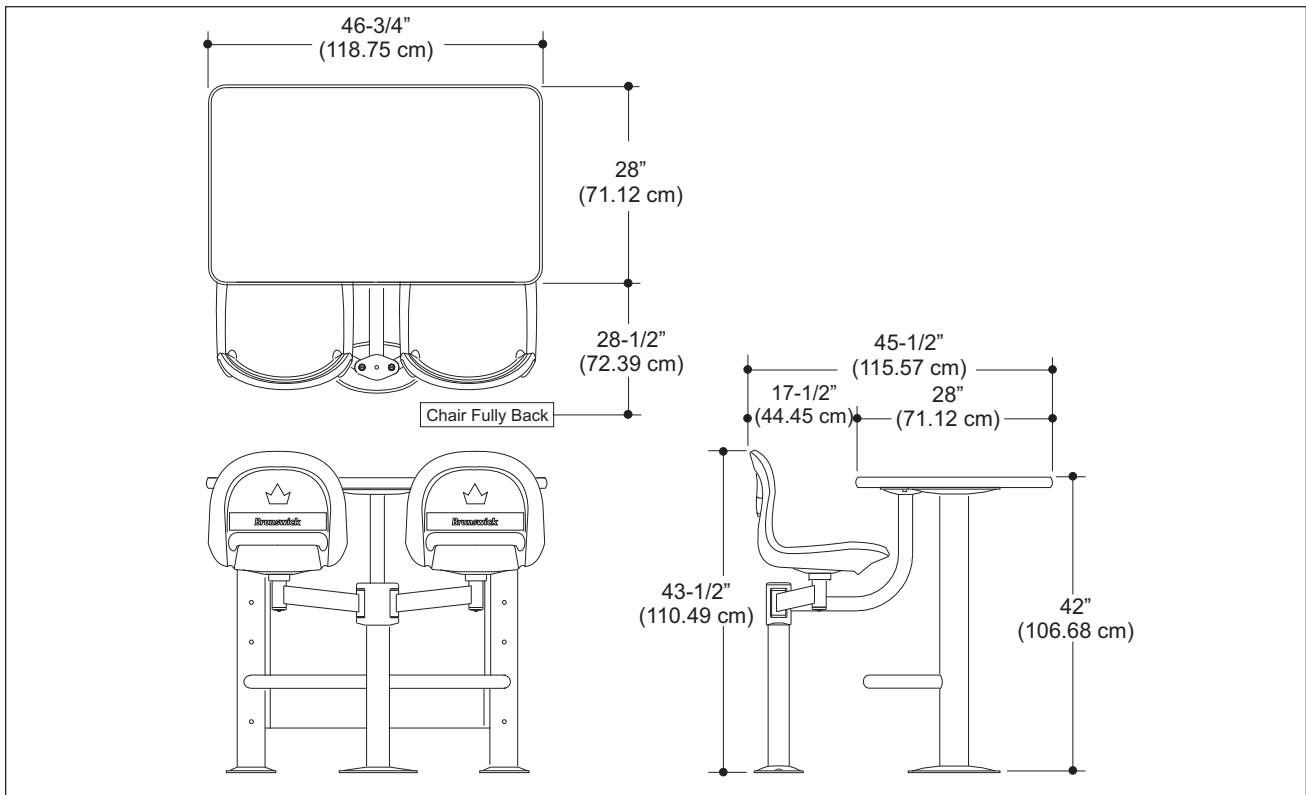


Figure 25. Frameworkx Modwall Rectangular Top w/Attached Seating

## Round End Top

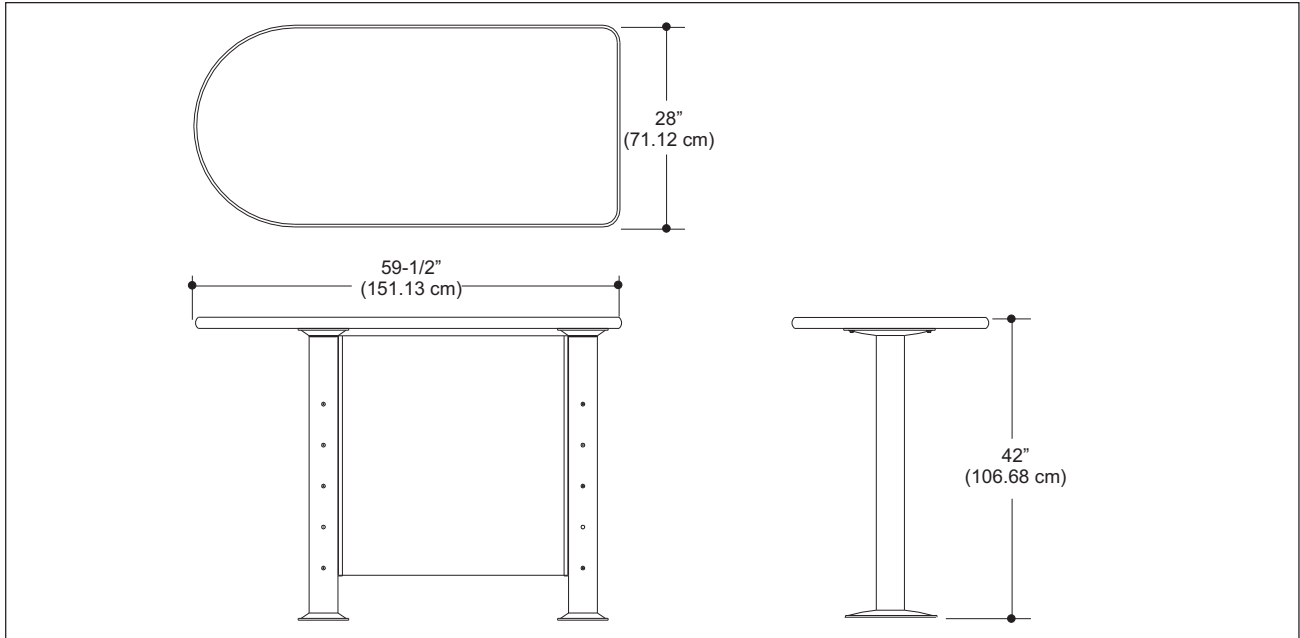


Figure 26. Frameworkx Modwall Round End Top

## Round End Top w/Attached Seating

Swing Swivel w/Contour Seats

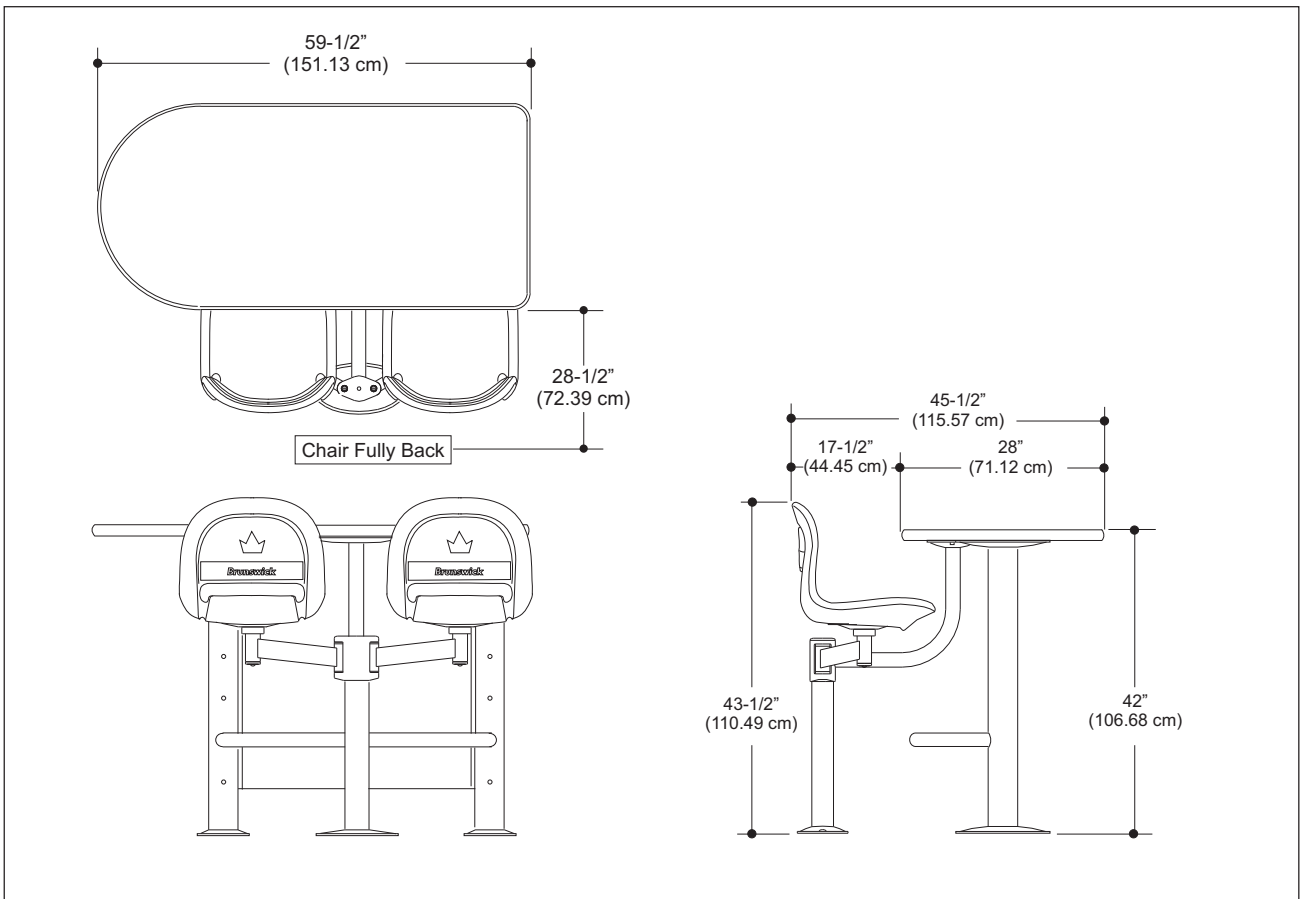


Figure 27. Frameworkx Modwall Round End Top w/Attached Seating

## Trapezoid Top

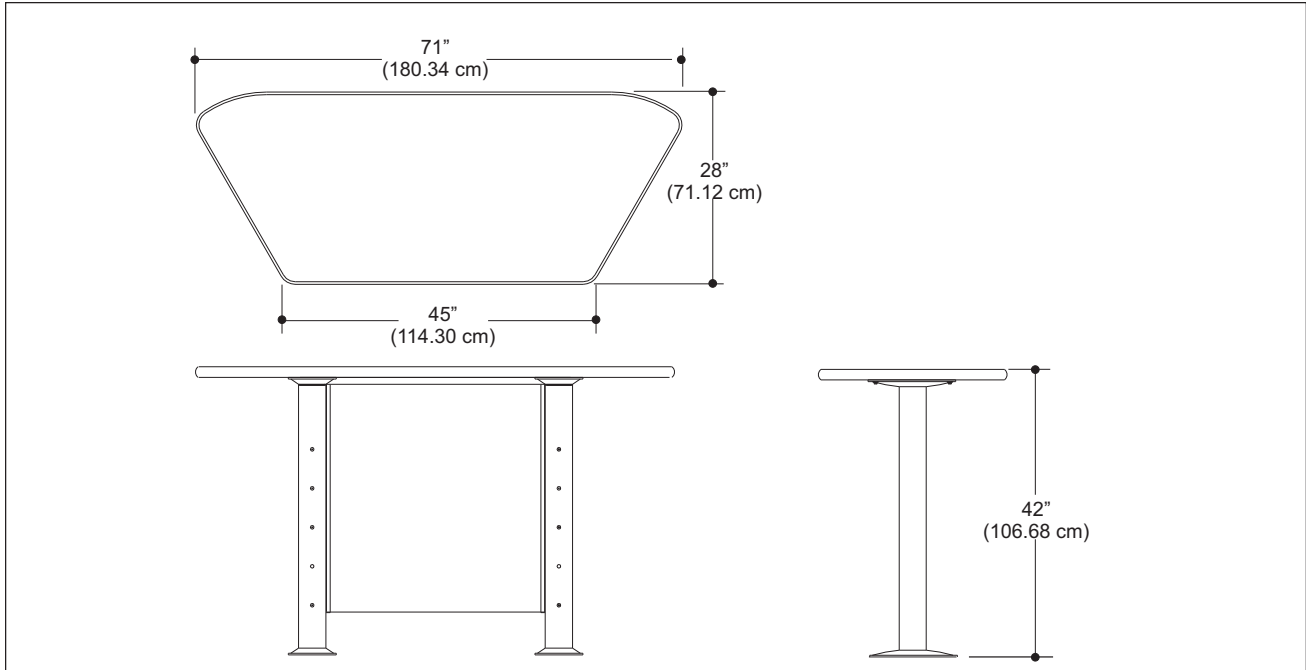


Figure 28. Frameworkx Modwall Trapezoid Top

## Trapezoid Top w/Attached Seating

Swing Swivel w/Contour Seats

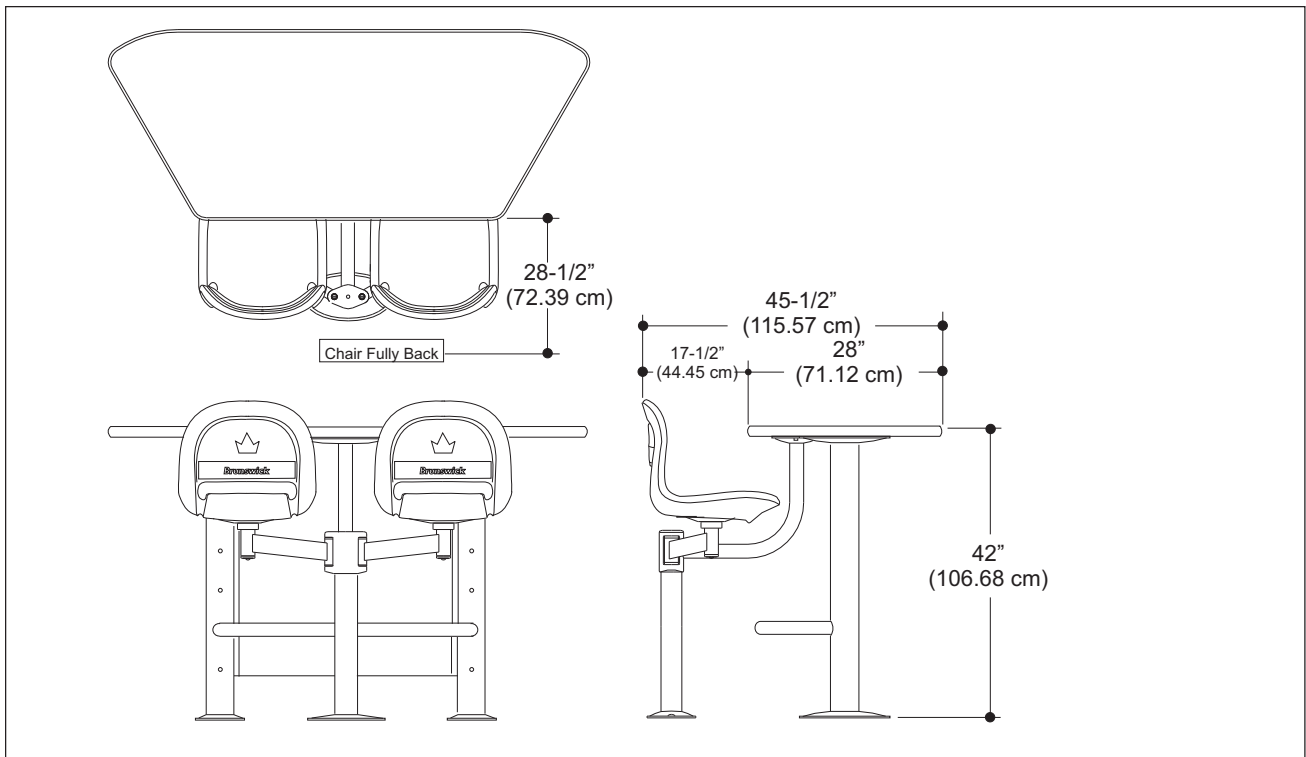


Figure 29. Frameworkx Modwall Trapezoid Top w/Attached Seats

### Half Width Rectangular Top

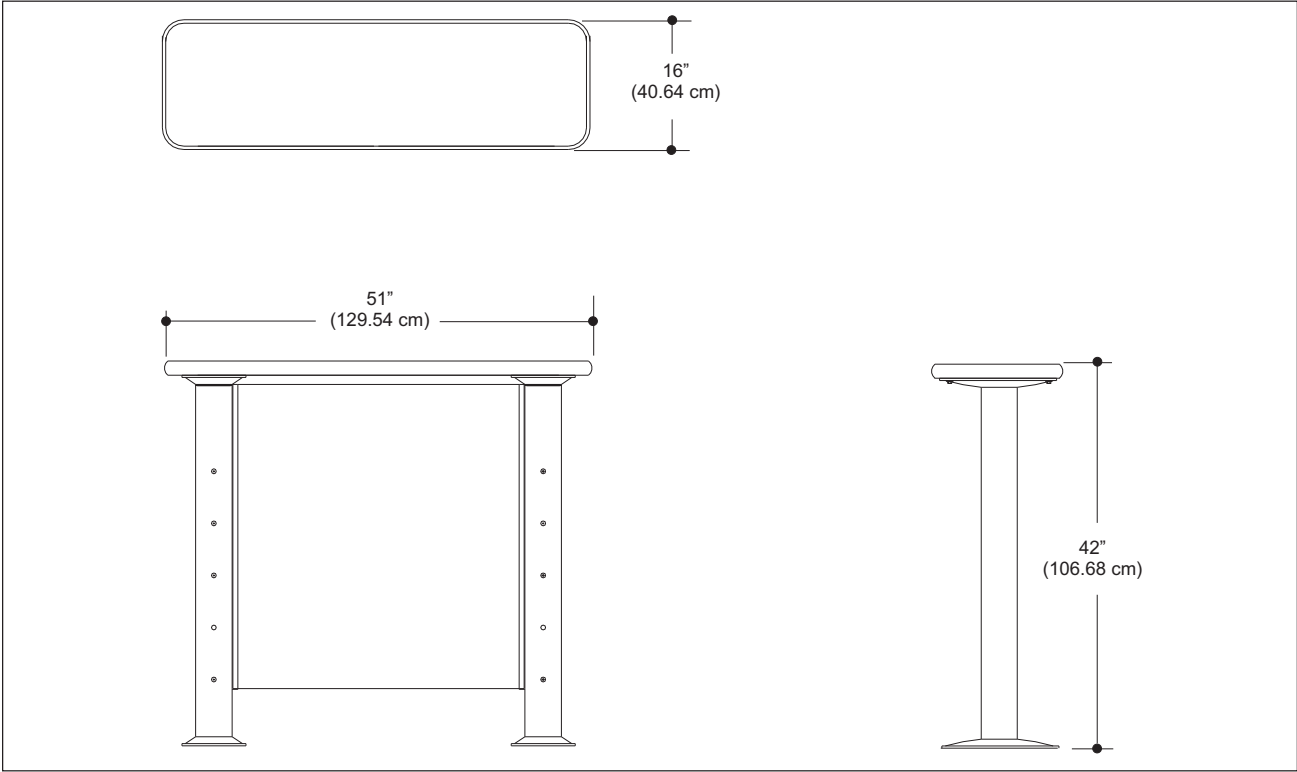


Figure 30. Frameworkx Modwall Half Width Rectangular Top

### Triangular Top

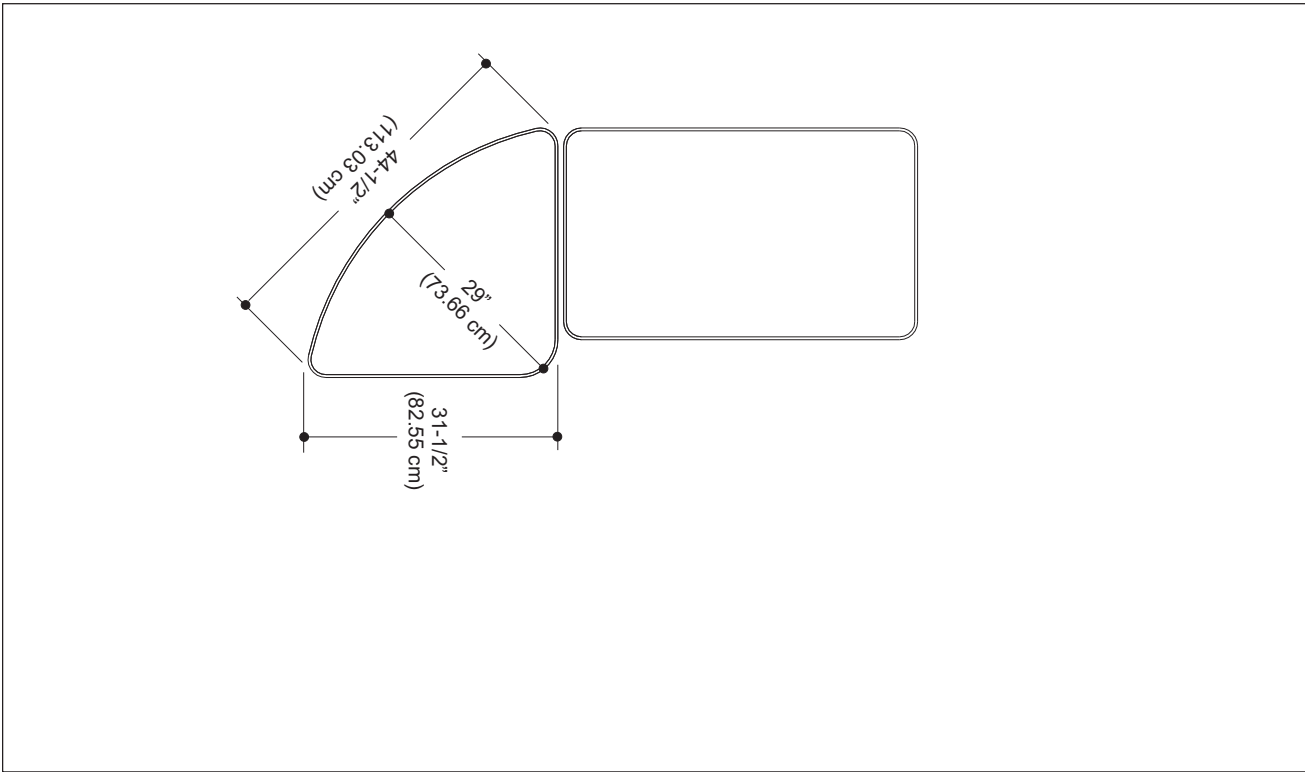


Figure 31. Frameworkx Modwall Triangular Top

## Coat Hanger for Modular Wall

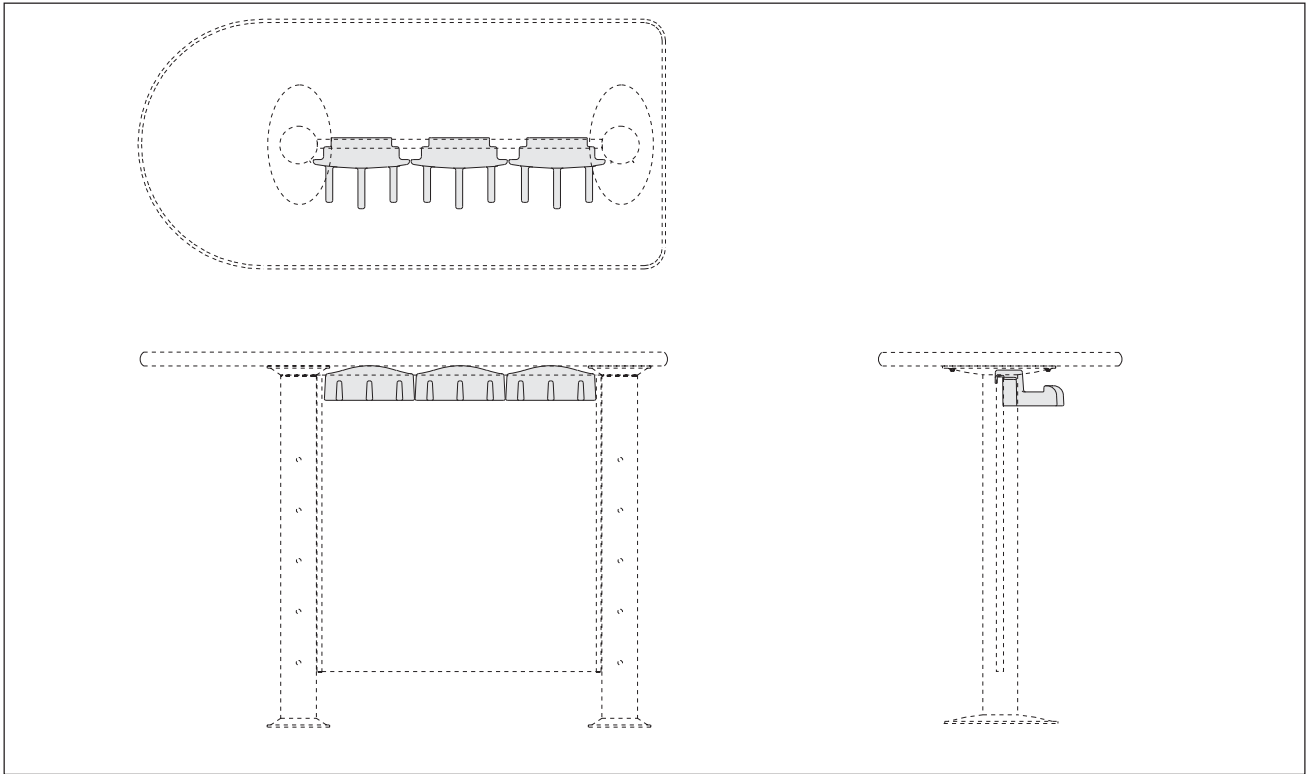


Figure 32. Framework Coat Hanger for Modwall

## Shelf for Modular Walls

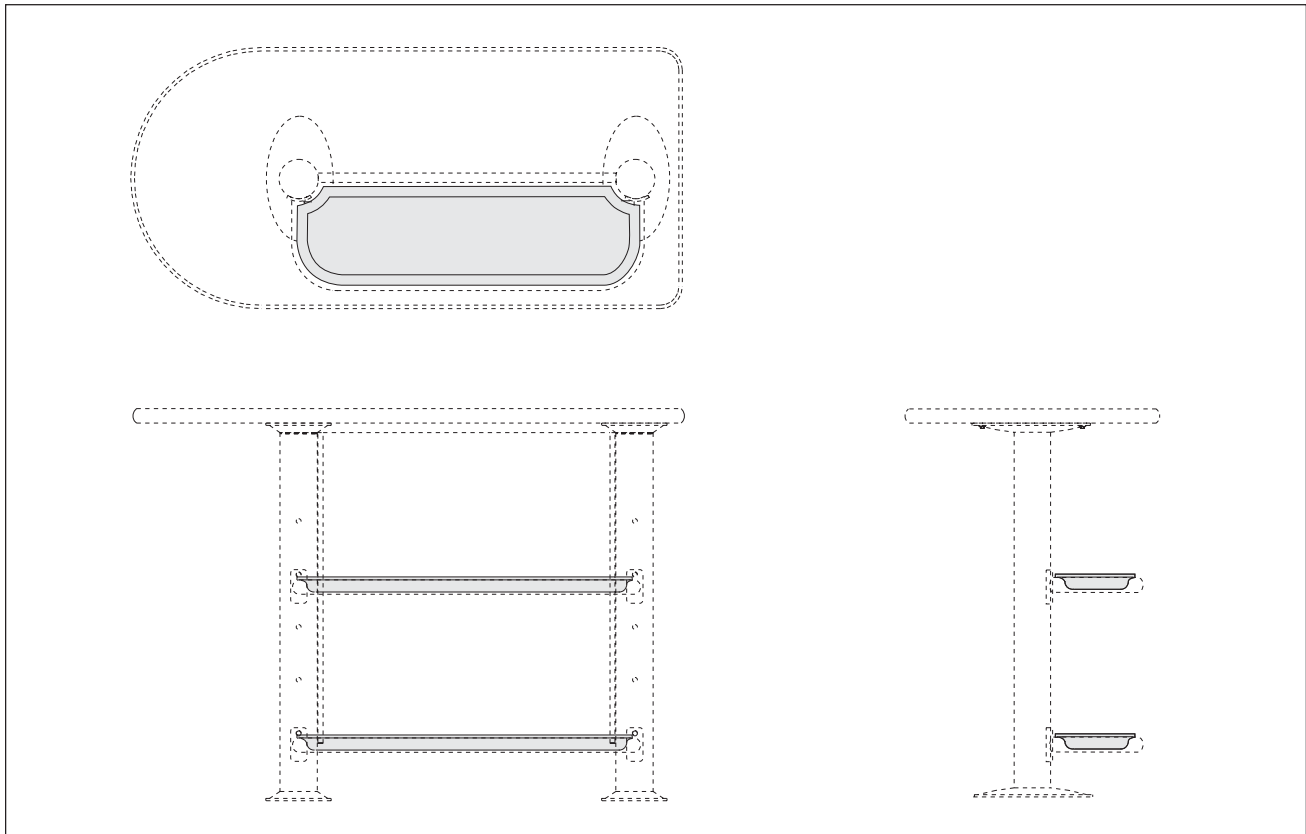


Figure 33. Framework Shelf for Modwall



## Ball Rack For Modular Walls

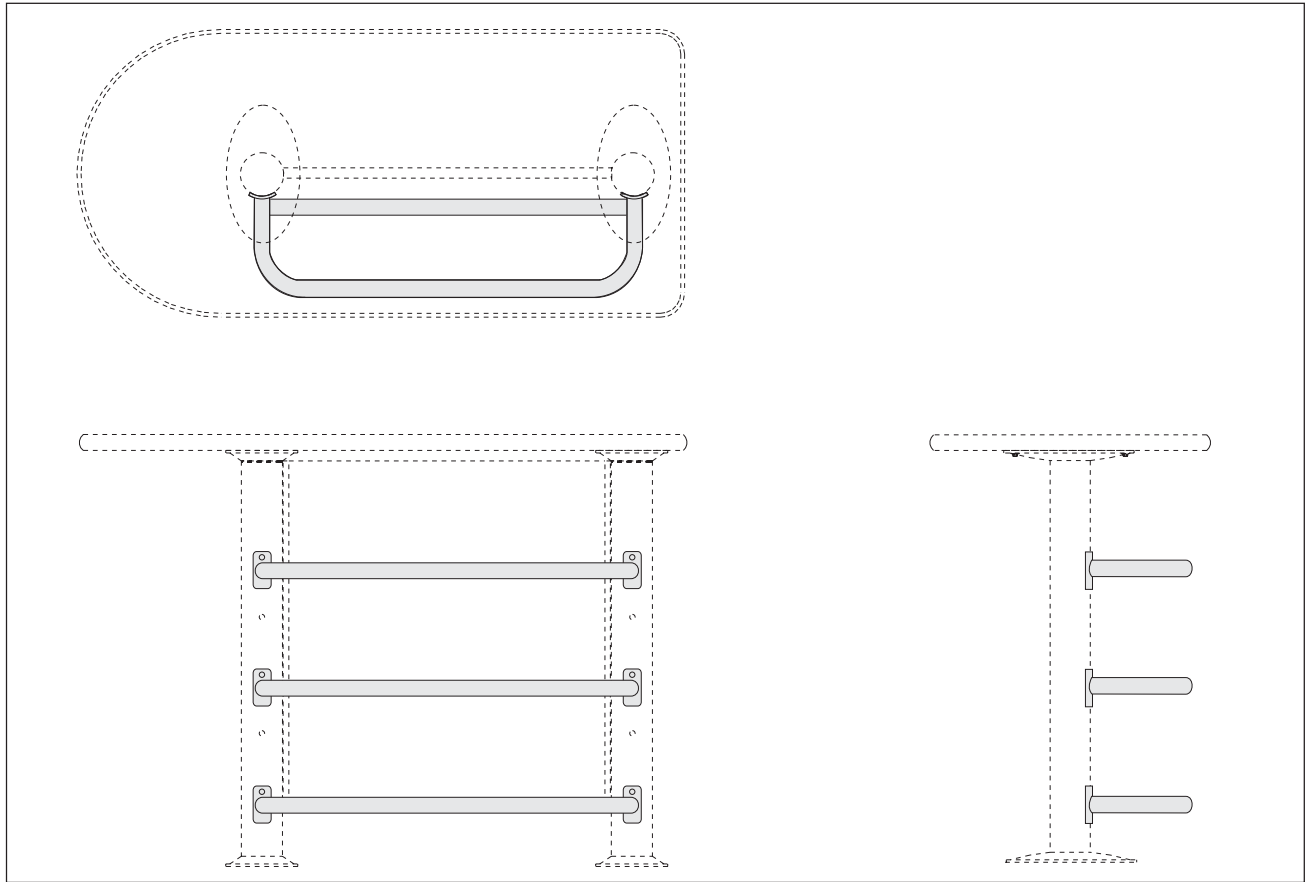


Figure 34. Frameworkx Ball Rack For Modular Walls

## Trash Receptacle

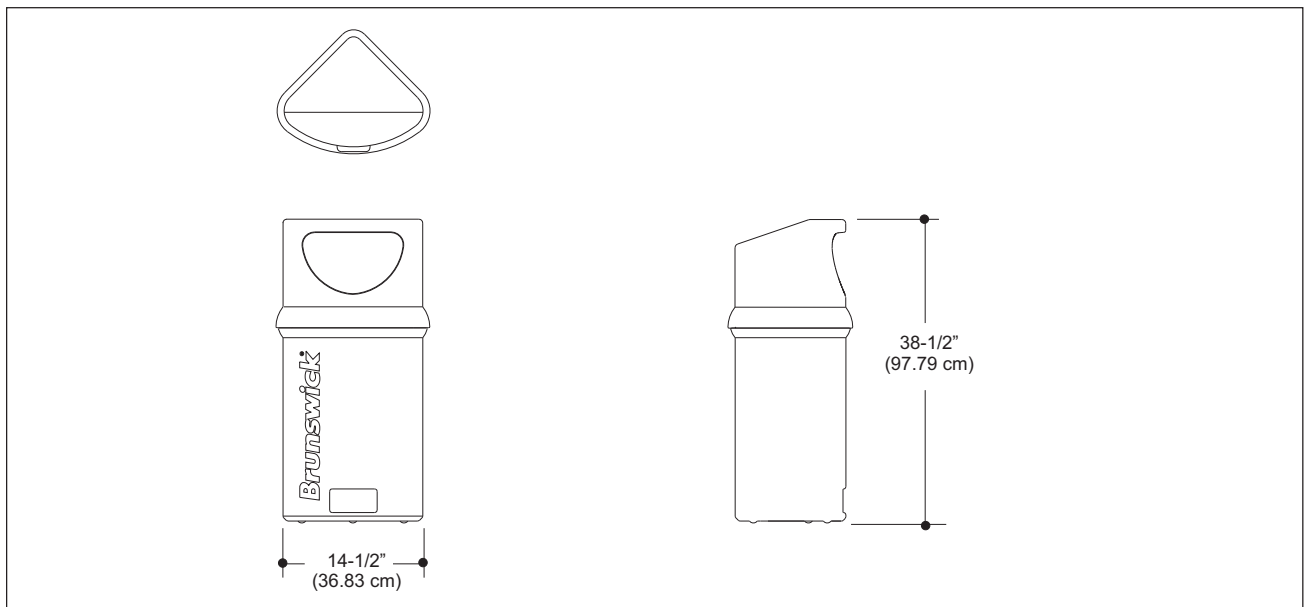


Figure 35. Frameworkx Trash Receptacle

## Twin Seat Bench Seating

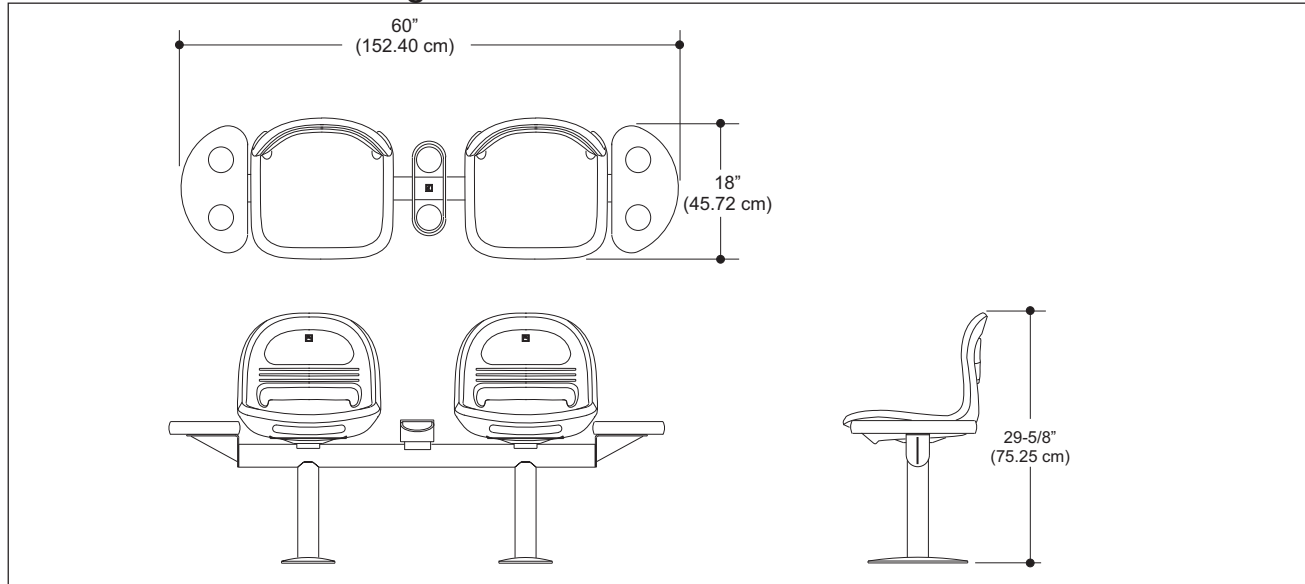


Figure 36. Frameworkx Twin Bench Seat

## Plastic Drink Holder

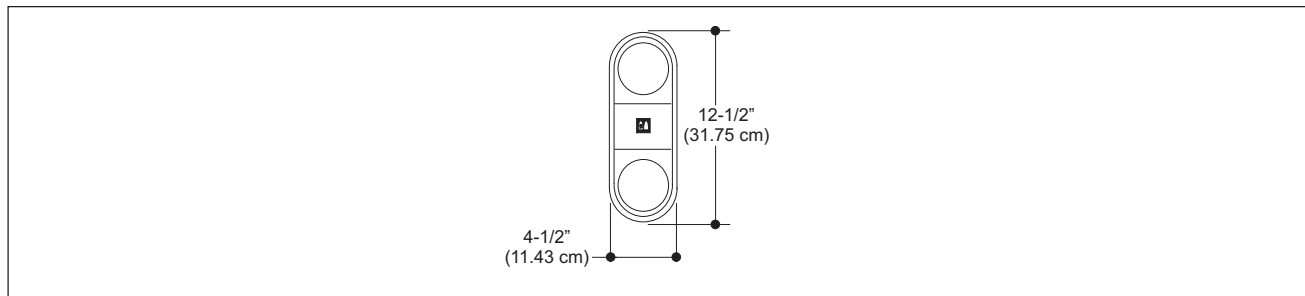


Figure 37. Frameworkx Twin Seat Bench Seating Drink Holder

## End Table w/Holes

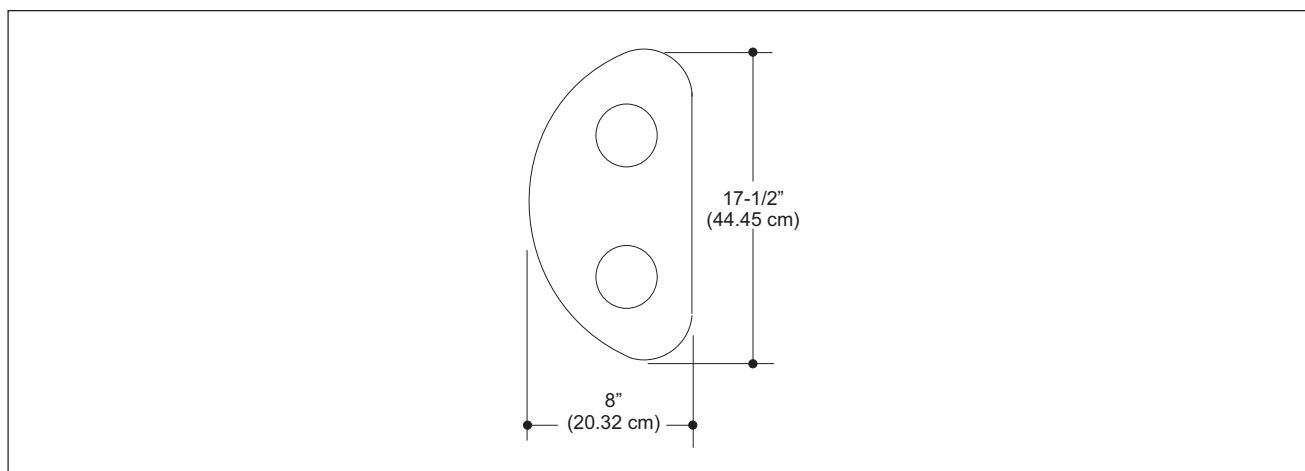


Figure 38. Frameworkx Twin Seat Bench Seating End Table w/Holes

# Ball Return Rack and Hood

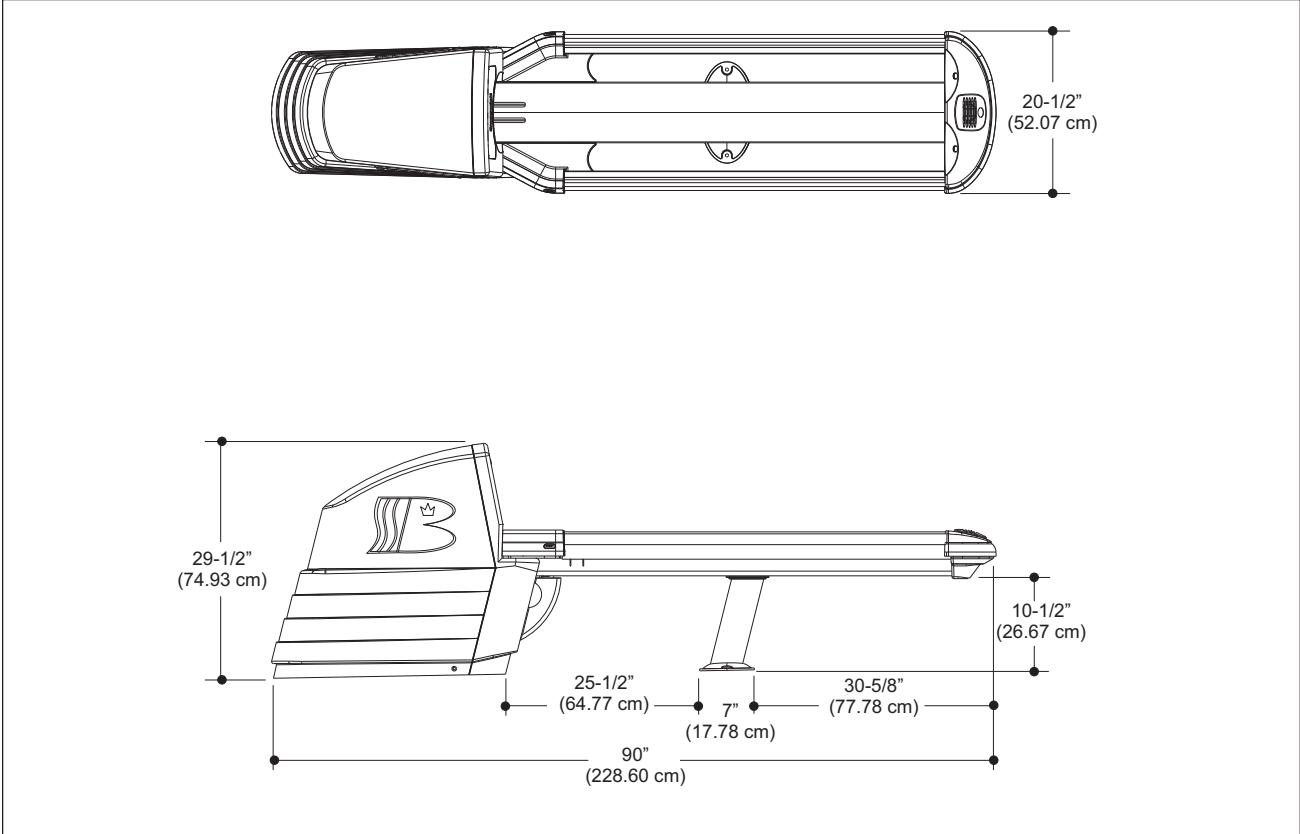


Figure 39. Frameworx Ball Return Rack and Hood

# Ball Racks

## Circular House Ball Rack w/LCD - Tall/Short

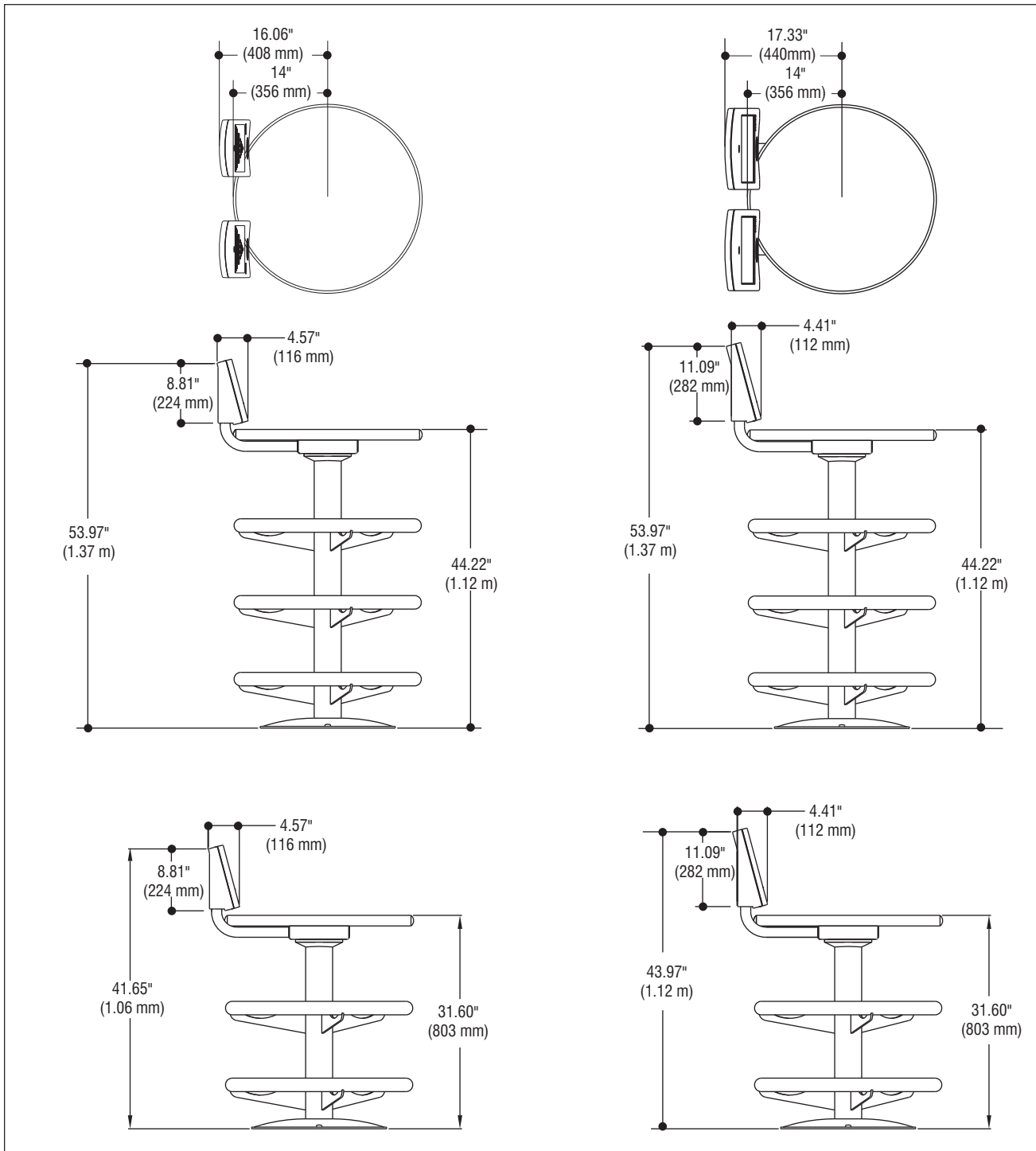


Figure 40. Frameworkx House Circular Ball Rack w/LCD

## Circular House Ball Rack - Tall/Short

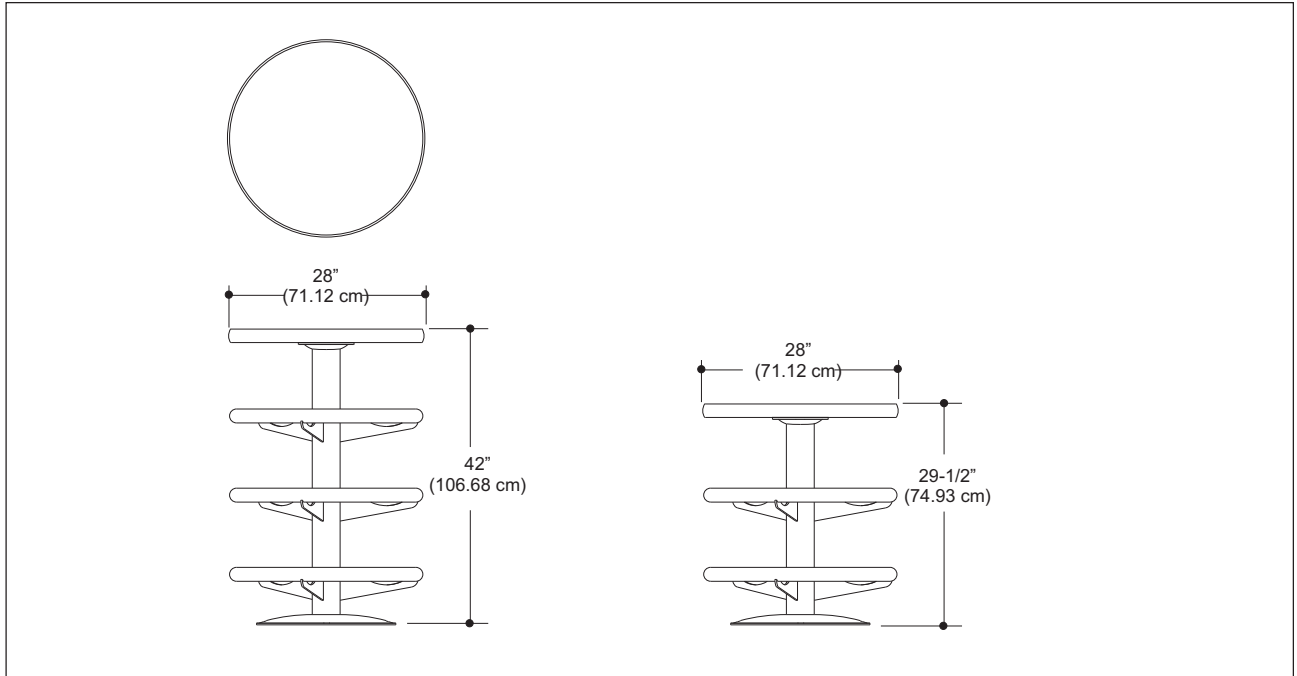


Figure 41. Frameworkx Circular House Ball Rack

## In-Line House Ball Rack w/Top

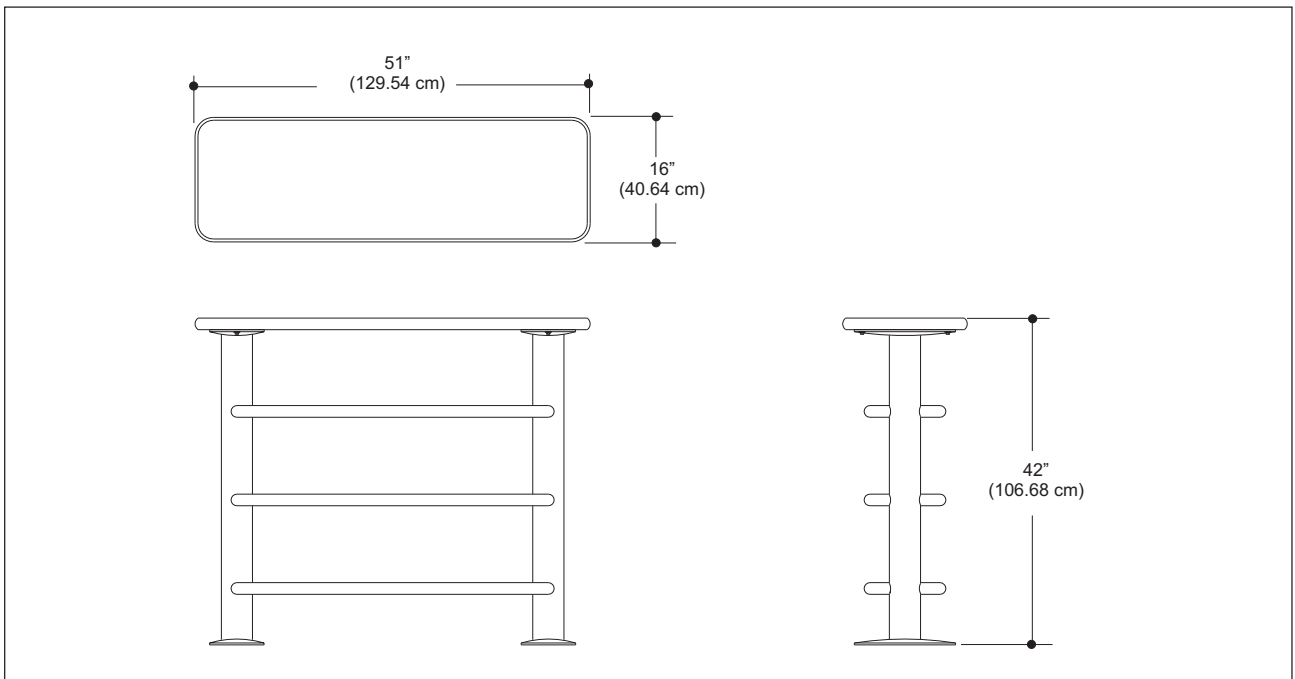


Figure 42. Frameworkx In-Line House Ball Rack w/Top

## Tables and Chairs

### Cocktail Table Bar - Tall/Short

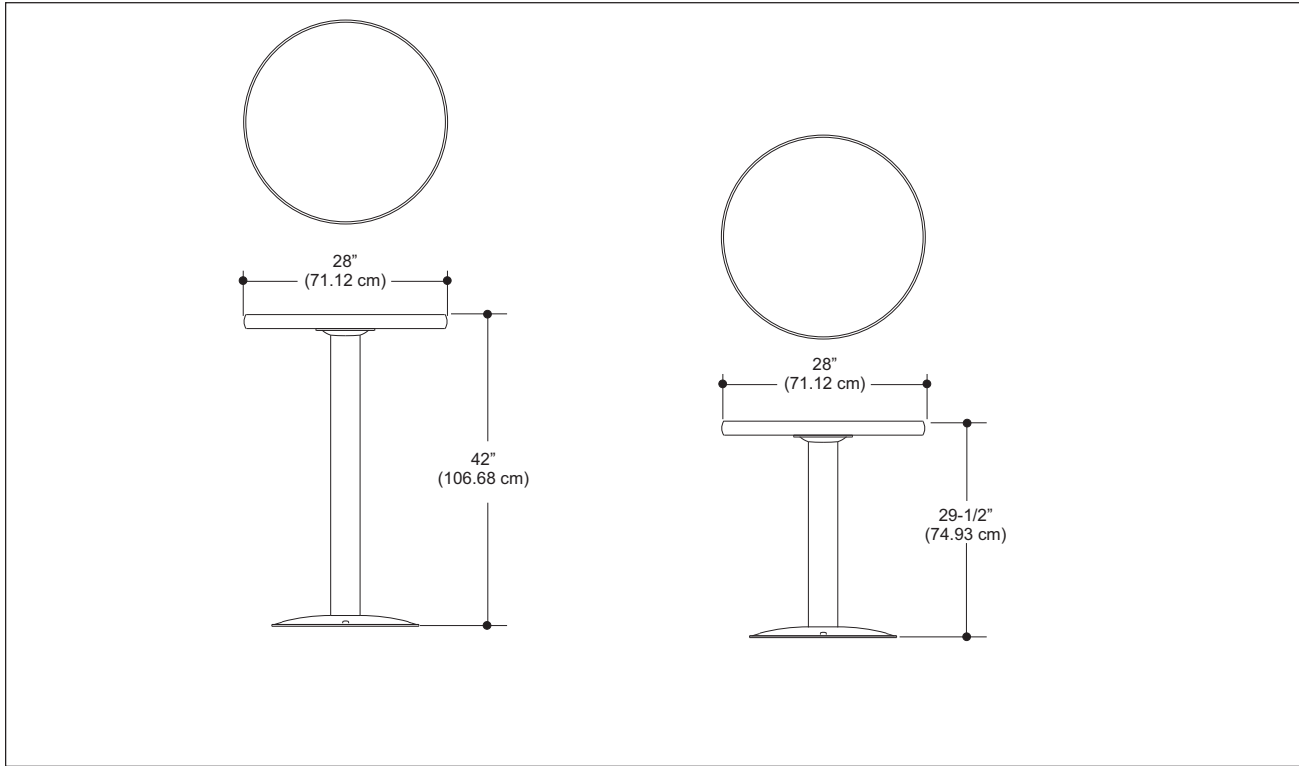


Figure 43. Frameworkx Cocktail Table Bar - Tall/Short

### Triangle Table w/Leaning Rail

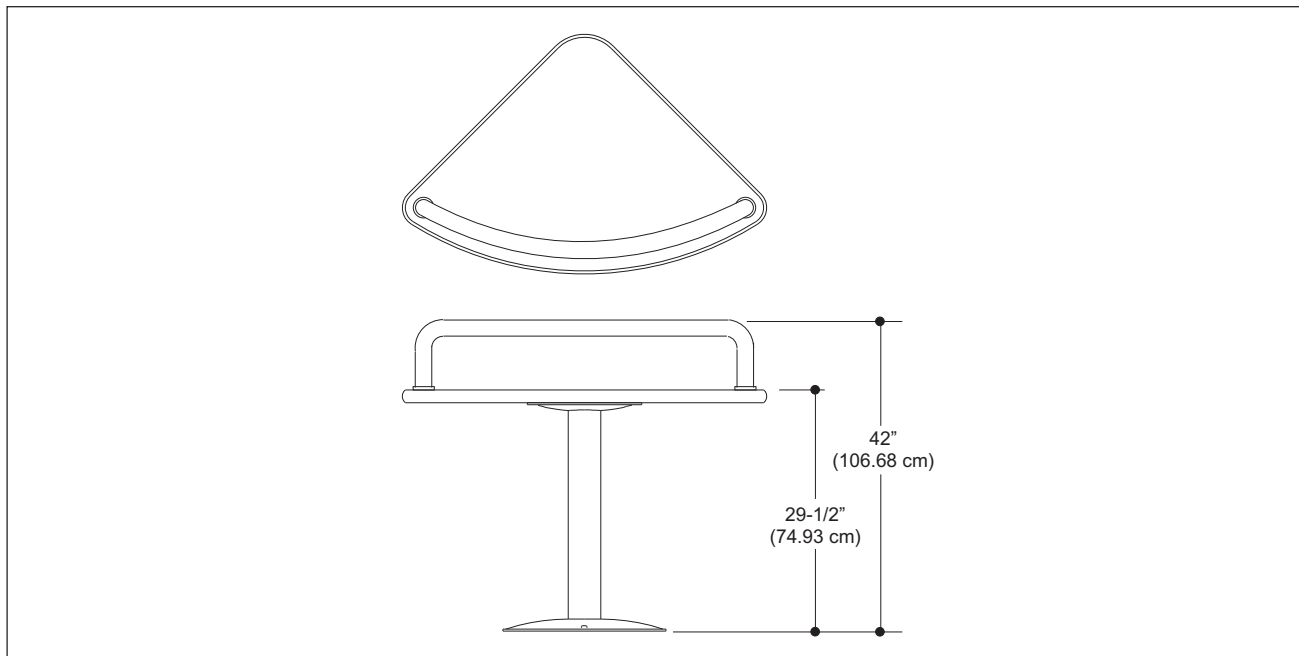


Figure 44. Frameworkx Triangle Table w/Leaning Rail

## Free Standing Chair - Tall/Short

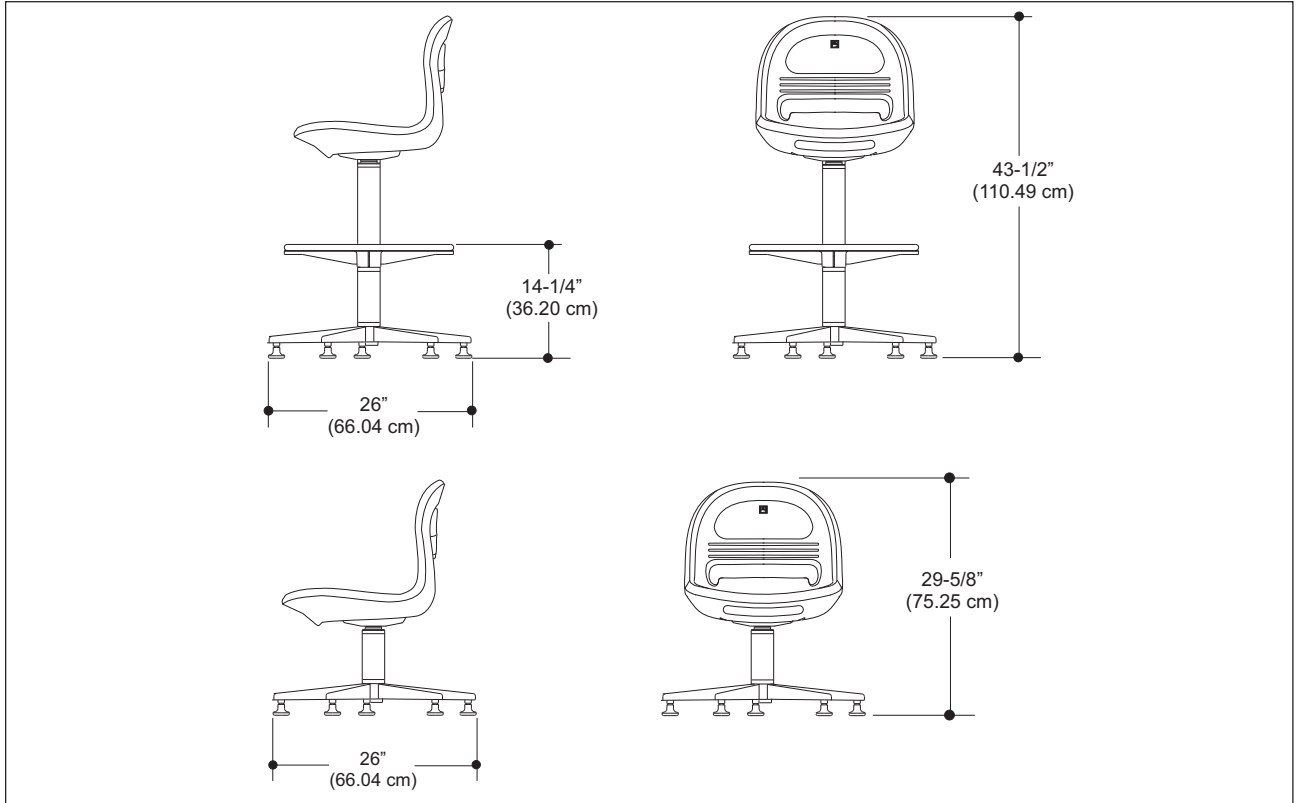


Figure 45. Framework Free Standing Chairs - Tall/Short

## Premium Free Standing Chair - Tall/Short

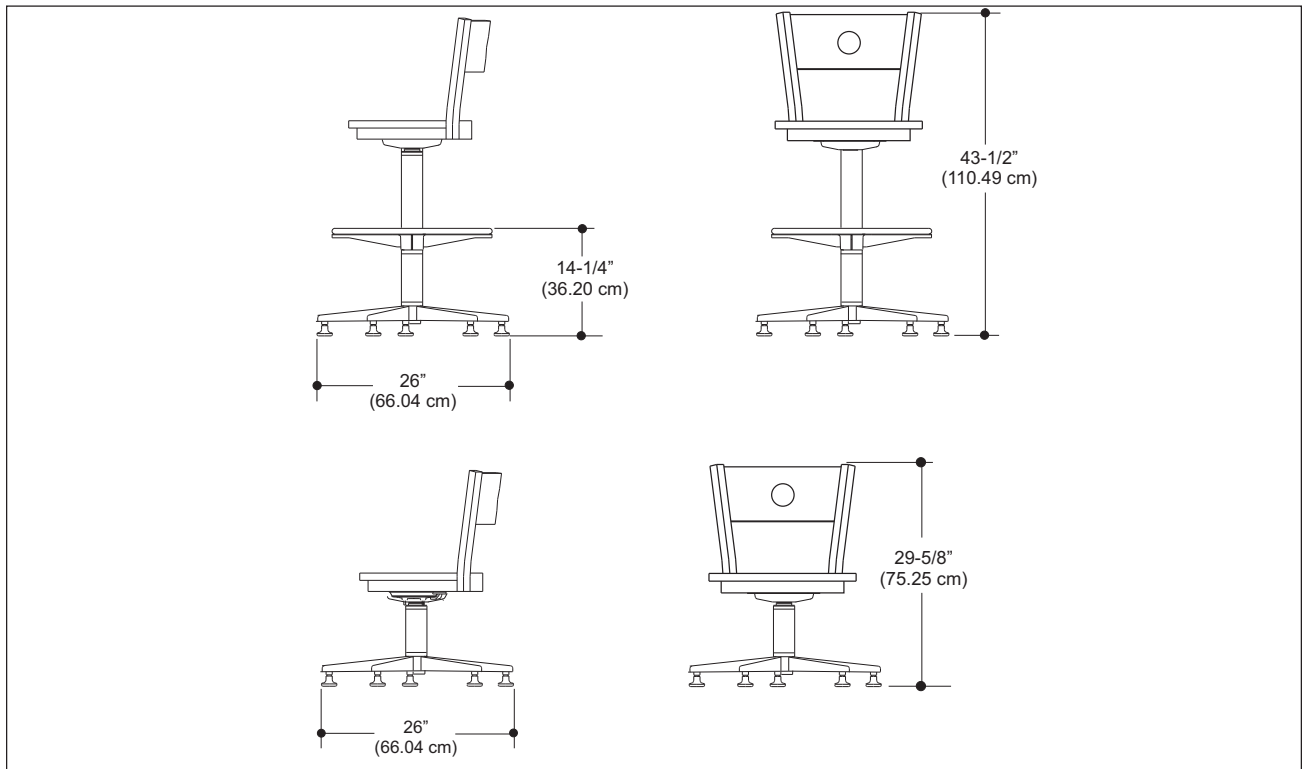


Figure 46. Framework Premium Free Standing Chairs - Tall/Short

## Contour Seat

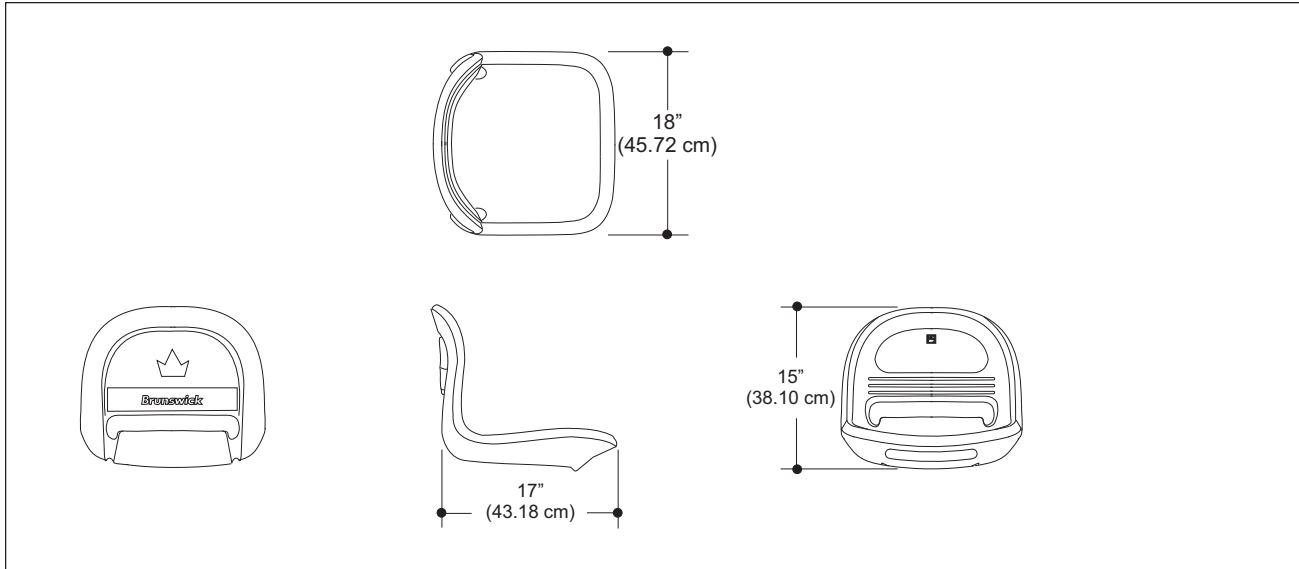


Figure 47. Frameworkx Contour Seat



## *Section 5: Striking Line Furniture Specifications*

---

### **Striking Line™ Furniture**

Increase satisfaction for existing customers, attract new customers and increase revenues with the Striking Line. Whether furnishing the entire center or transforming a portion of the center into an ultramodern “VIP” area, the Striking Line is an affordable way to take the center to new heights of style and profitability.

The Striking Line allows customized layouts to accommodate the center’s design and ever-changing customer base. Compete more effectively with night clubs, sports bars and other entertainment venues with the comfortable and flexible components. The relaxed living room atmosphere encourages customers to play longer and visit the center more often, spending more money and enhancing center revenue.

Furniture components are designed with plenty of storage space for bowling bags, shoes, purses and coats. To ensure safety, all components have passed BIFMA (Business and Institutional Furniture Manufacturer’s Association) Plus Testing.

Steel-frame couches are not only comfortable, they are built to stand up to the toughest of bowlers. Durable, user-friendly fabrics are water and stain resistant, allowing for easy cleanup and a fresh, clean look game after game. Available in multiple attractive fabrics, Striking Line furniture can be customized to match any center décor and can be coordinated with Brunswick Lanescape™ masking units.

Tables and mod walls provide space for food and beverages and are made with the strength of steel hardware. Table tops are constructed of engineered wood composite and covered with durable laminates that offer the center a rich look that is accented with black table edge molding. Coffee table accommodates an optional, patented table-mounted scoring console with LCD or keypad.

Premium seats consist of a steel frame and are finished with silver oven-baked epoxy/polyester powder coating. The wood finish is available in dark cherry finish on oak or natural finish on maple. Swivel seats include a memory swivel with a 90 degree turning span. The chair rotates from right to left and automatically returns to its original position.

## Coffee Table

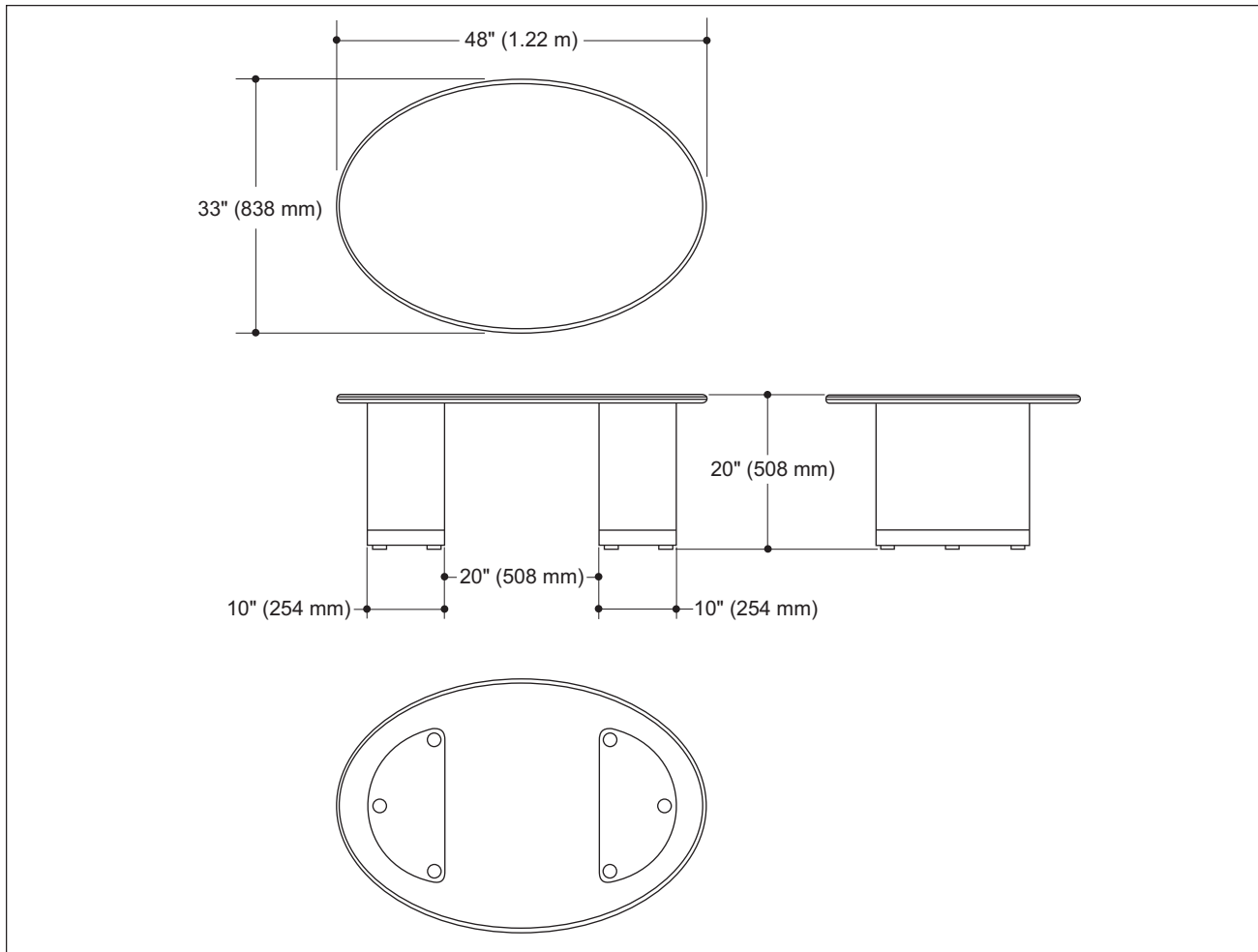


Figure 48. Striking Line Coffee Table

## Narrow Coffee Table

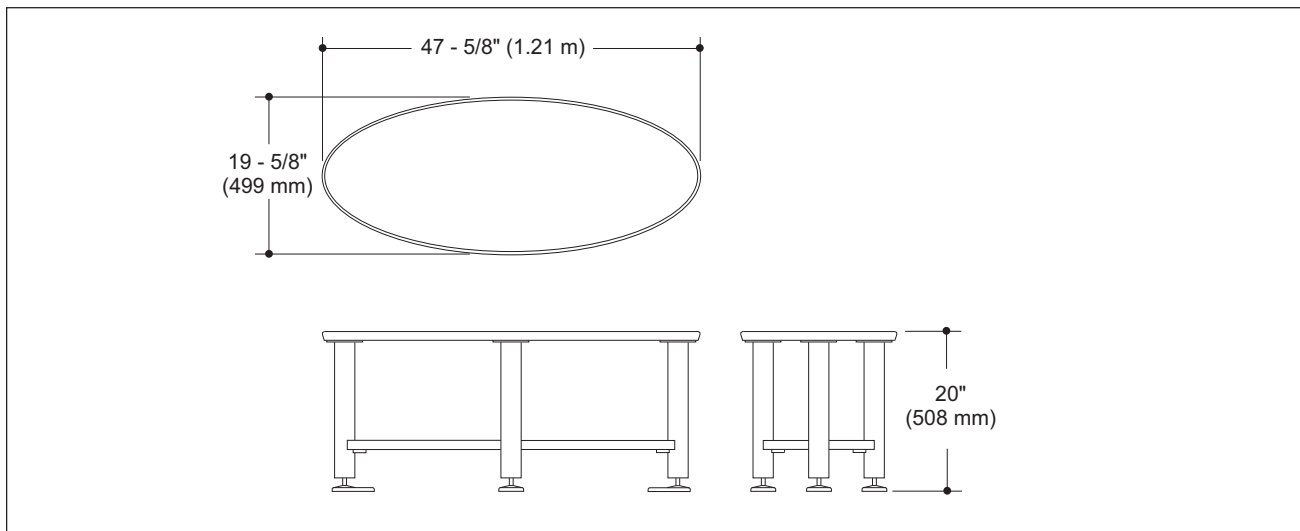


Figure 49. Striking Line Narrow Coffee Table

## Sofa Table

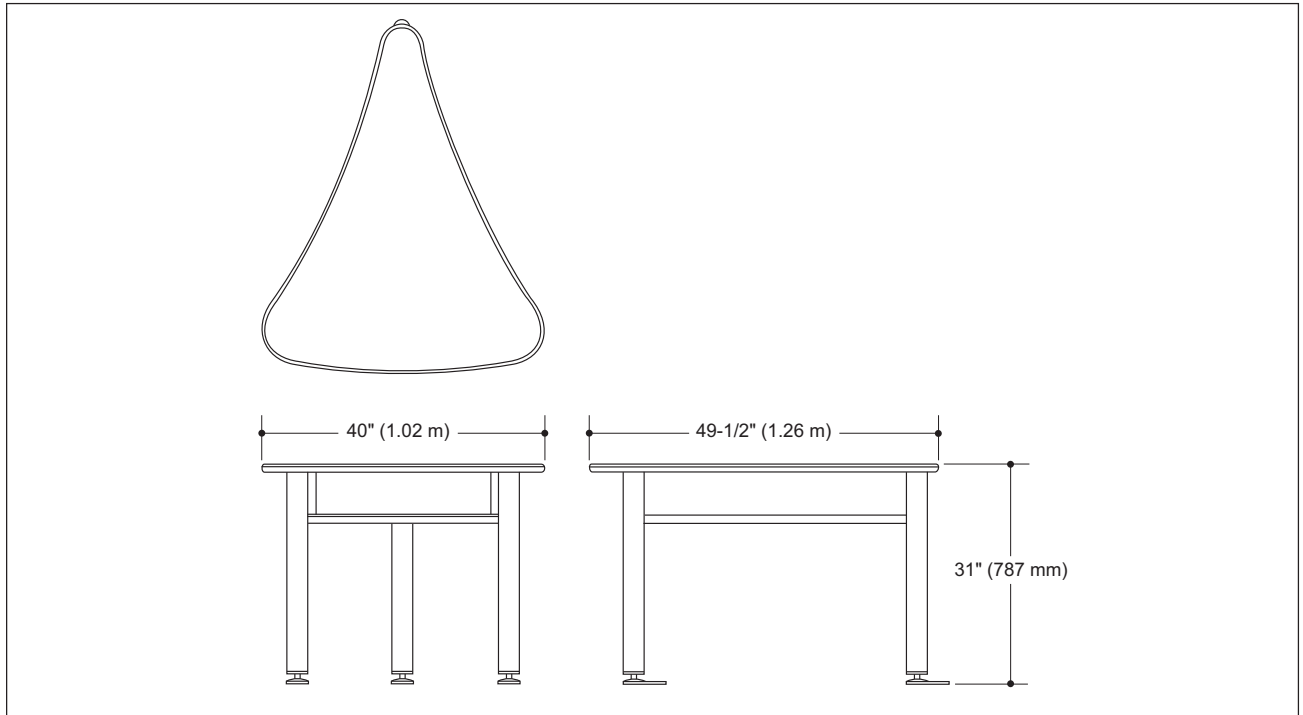


Figure 50. Striking Line Sofa Table

## Sofa

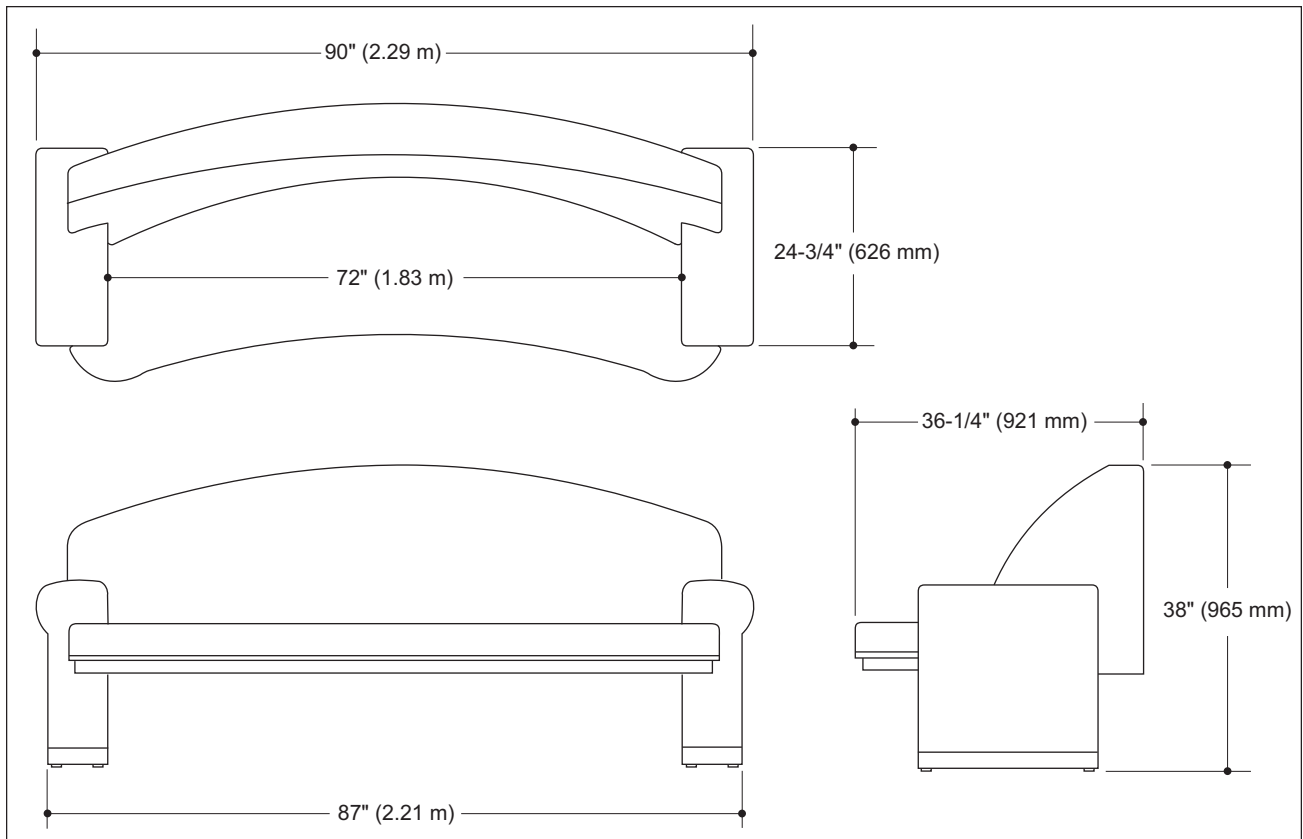


Figure 51. Striking Line Sofa

## Modwall

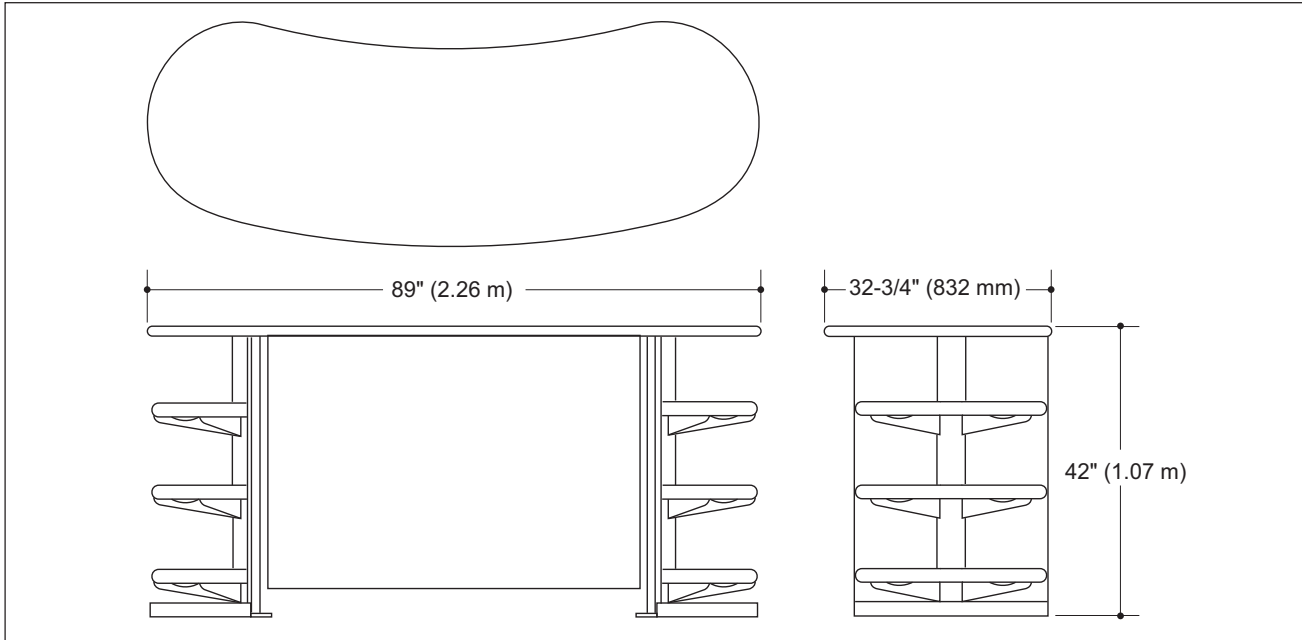


Figure 52. Striking Line Modwall

## Optional Modwall Swing/Swivel Seats

Swing Swivel w/Bar Stool Bucket Seats

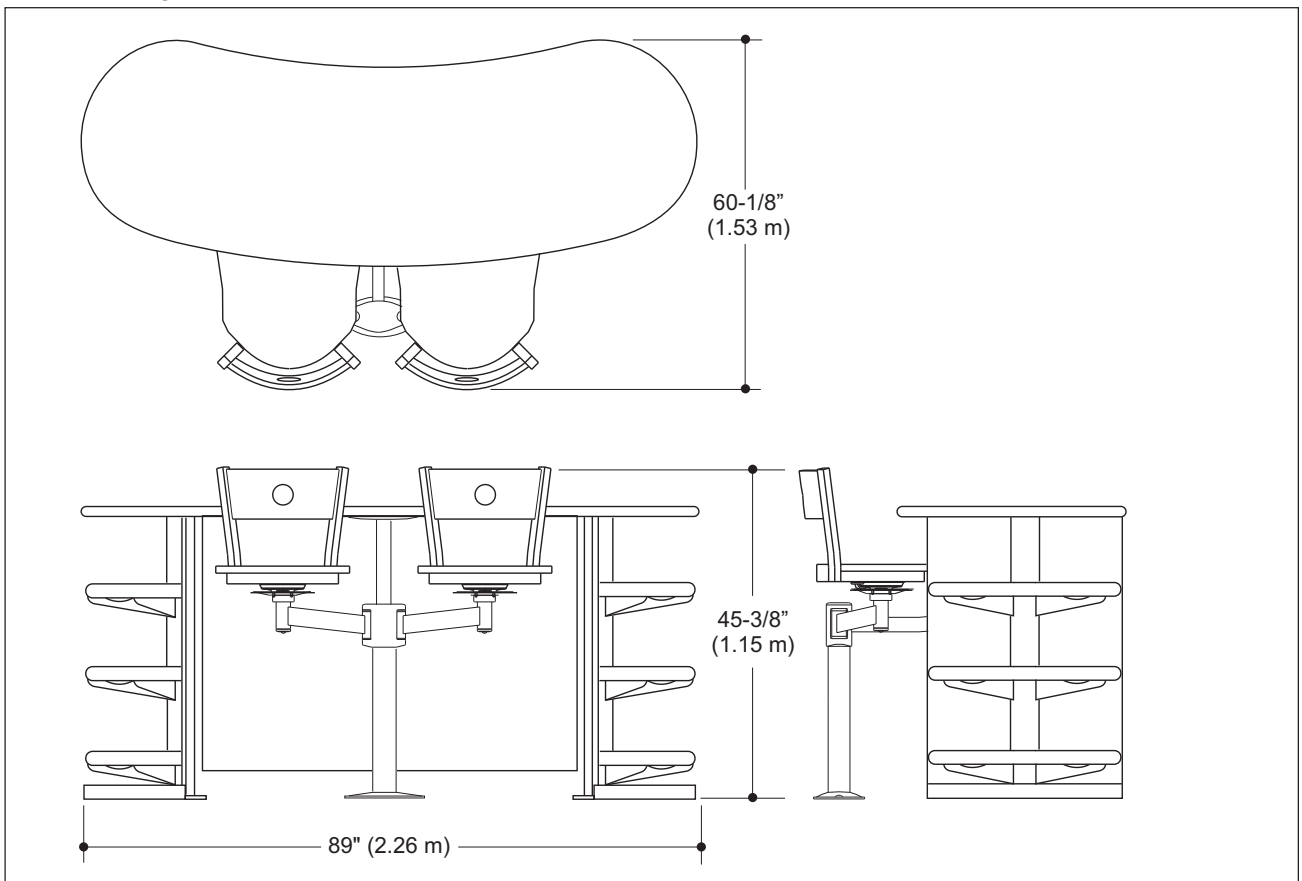


Figure 53. Striking Line Modwall Swing/Swivel Seats

## Free Standing Bar Height Chair

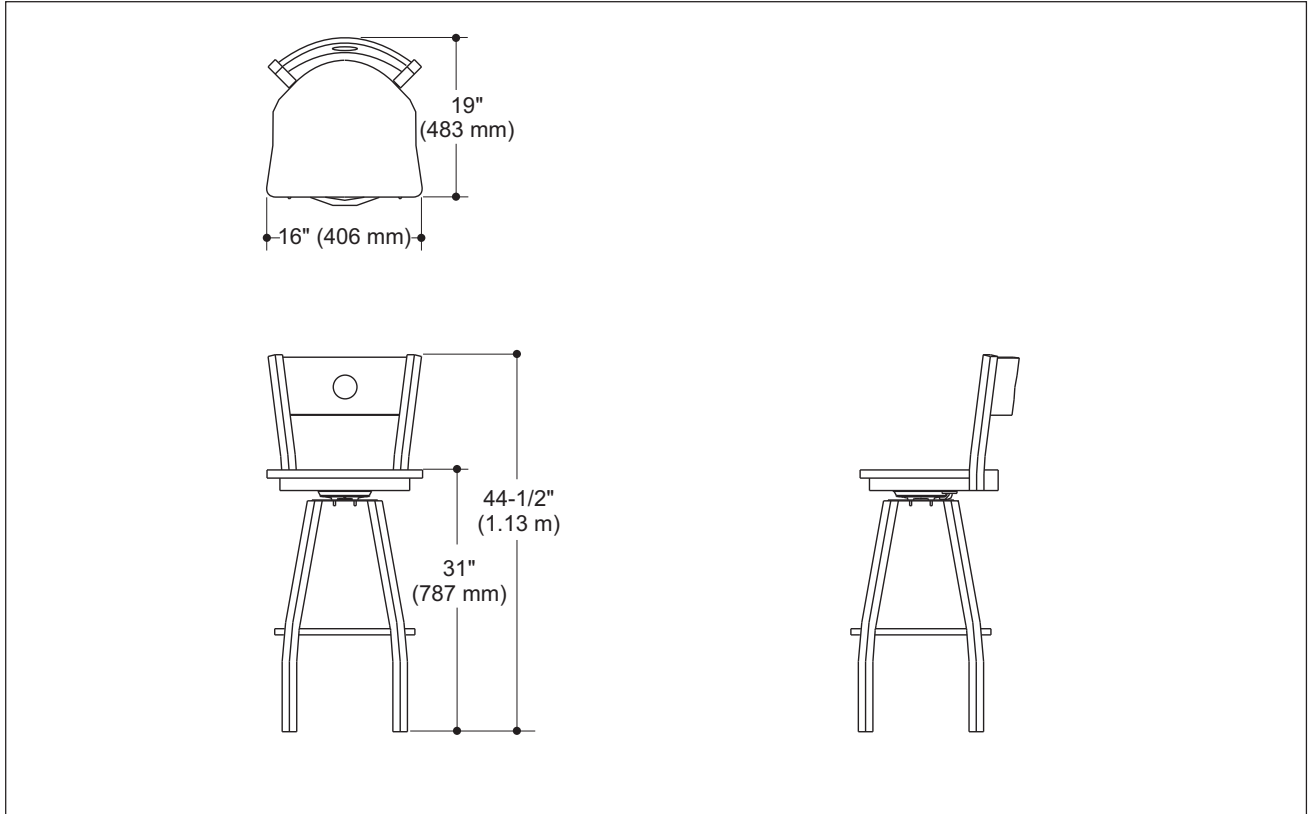


Figure 54. Striking Line Free Standing Bar Height Chair

## Ottoman

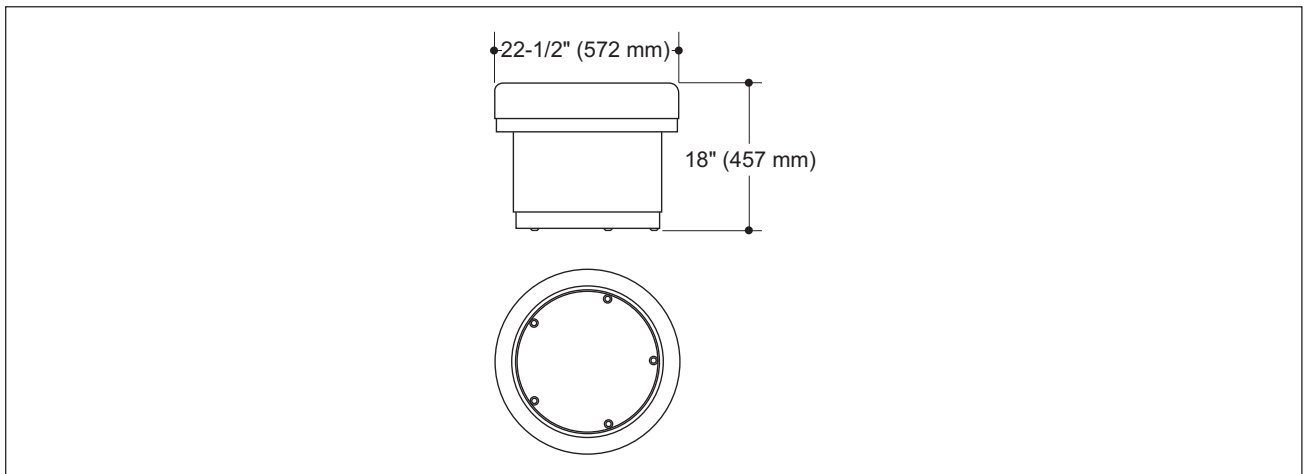


Figure 55. Striking Line Ottoman

