

SERVICE BULLETIN

Subject: Classic Scorer - Grundig Monitors with Lucassey Support

Date: 9/5/02

Distribution: Classic Scorer Customers

Letter No. CEB02-5

When sending a Grundig Monitor to the Brunswick Electronic Repair Center for service, please do not remove the safety strap retainers from the rear of the monitor. Reference Figure 1.

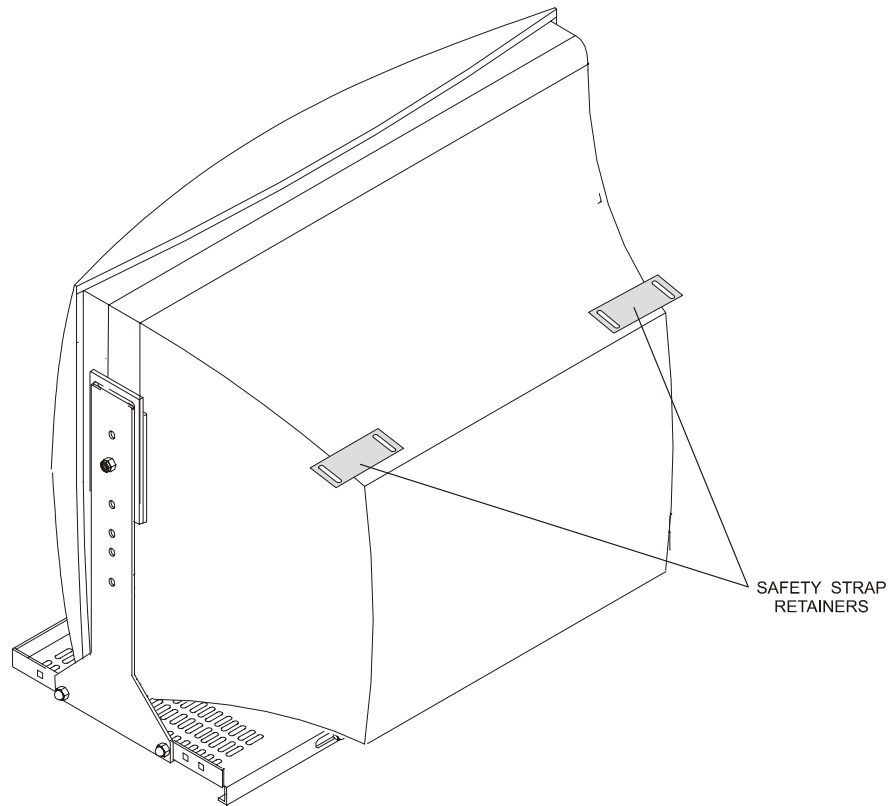


Figure 1. Safety Strap Retainers

The Repair Center has received many monitors with these retainers removed. Some have even damaged the enclosure of the monitor. Instead, simply remove the safety strap and set it aside to be reused later. Attached are instructions for the installation of the safety strap to assist you in servicing your equipment.

Shawn Butler
Service Product Engineer

David E. Rice
Director of Service

Safety Strap Installation

1. Slide retainer ring onto safety strap.
2. Thread safety strap through previously installed strap retainers. Refer to *Figure 2*.

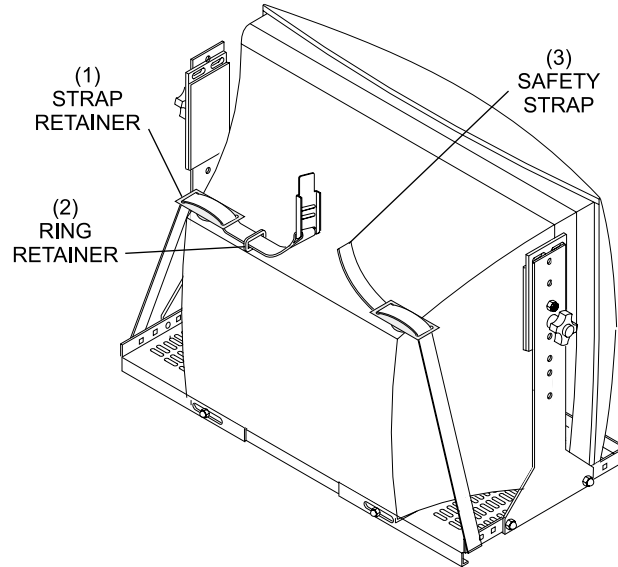


Figure 2. Wrap Strap Around Monitor

3. With tension clasp centered on top of monitor, feed the strap through the top slot of tension clasp and back through the bottom slot. Refer to *Figure 3*.

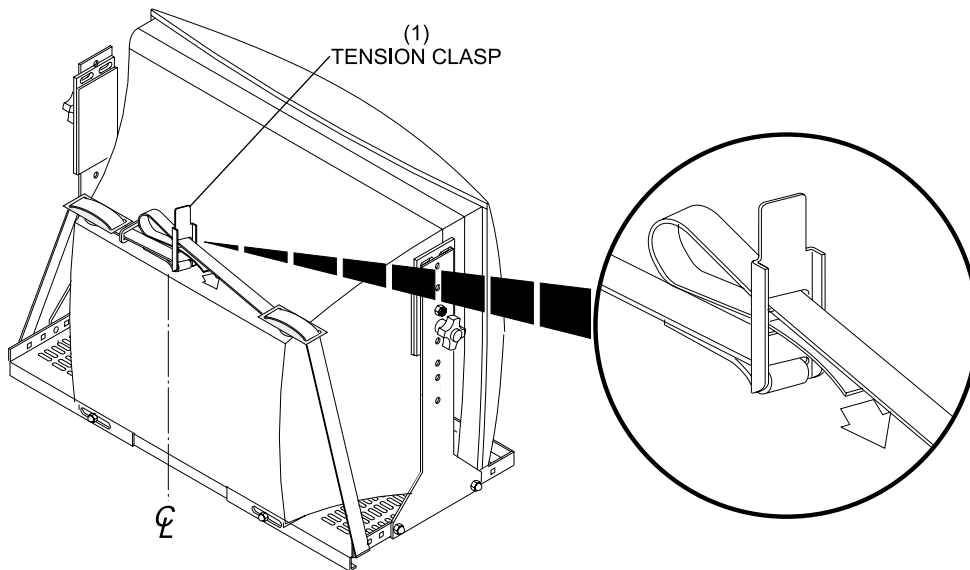


Figure 3. Thread Strap Through Tension Clasp

4. Lead loose end of strap across monitor underneath the top strap. Pull loose end of strap to remove slack. Cut off excess material leaving 5"-6" (127 mm-152 mm) of extra strap. Refer to *Figure 4*.

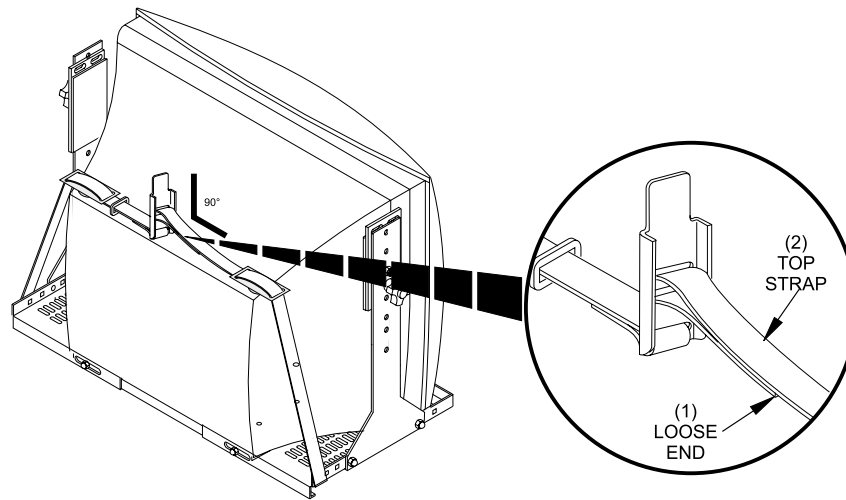


Figure 4. Remove Slack In Strap

5. Pull loose end of strap to create tension. Depress tension clasp flat against the strap and slide the retainer ring onto the clasp. Refer to *Figure 5*.

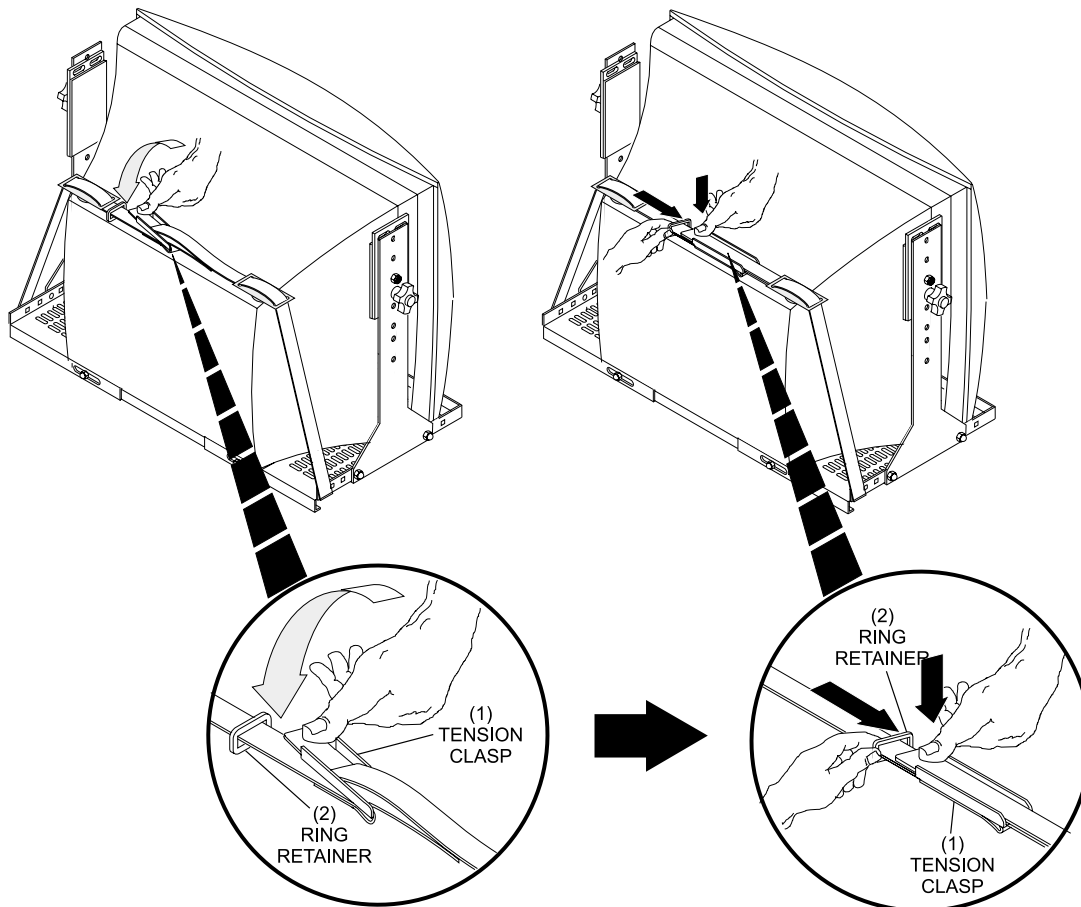


Figure 5. Secure Retaining Ring