

# SERVICE BULLETIN

Subject: Boca Hub Power Supplies

Date: 3/25/98

Distribution: All Frameworkx Customers

Bulletin No. EB98-2

The Boca Hub, which is used to connect your scorers to your Center Management System, has recently been changed. The original hub, BOCAHUB-16 *Plus*, included a 9 volt AC power supply. The new hub, Boca NET-16, now has a 12 volt DC power supply. See *Figure 1* below. It is **critical** that you do not mix up power supplies and hubs. **Failure to keep the power supply with the proper hub may cause severe damage to your hub.**

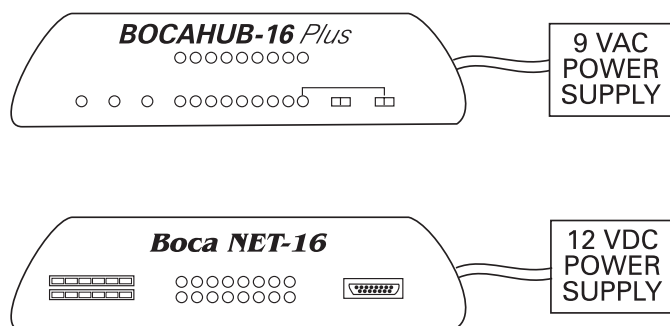


Figure 1

The power supplies are marked on the transformer and the hubs are marked on the front face. If you need to replace a hub, replace both the hub and the power supply. Send both the defective hub and power supply to the Electronic Repair Center.

If there are any questions, please contact the Brunswick Response Center.

Debbie Brigham  
 Director of Quality