

SERVICE BULLETIN

Subject: Pinball Wizard II Motors & Timing Switches

Date: 9/15/09

Distribution: Pinball Wizard II Customers

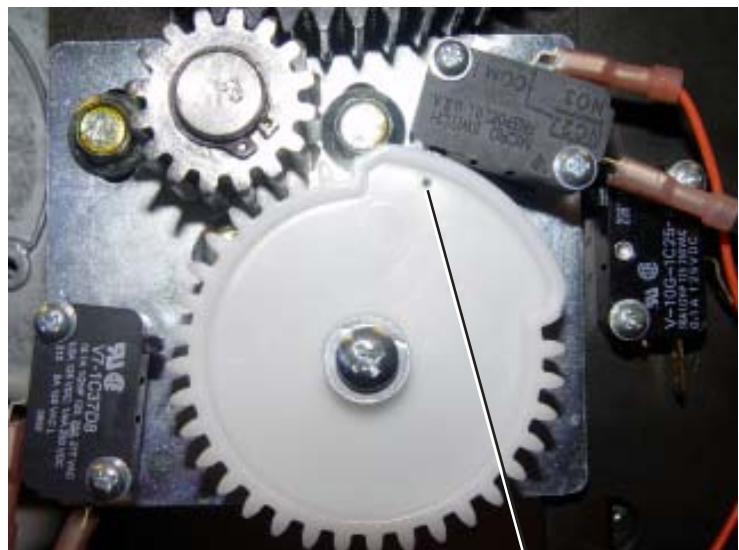
Bulletin No. SB09-7

This bulletin is to inform customers of the recent changes / improvements made to the Pinball Wizard motors and timing switches. Brunswick no longer offers the original Pin ball Wizard II motors as a replacement part. The up/down cam and switch functions are now on the outside of the motor for ease of adjustment when setting the timing. Refer to *Figures 1 & 2*.



OLD MOTORS HAD TWO CAM ADJUSTMENTS FOR THE UP AND DOWN TIMING POSITIONS OF THE MOTOR

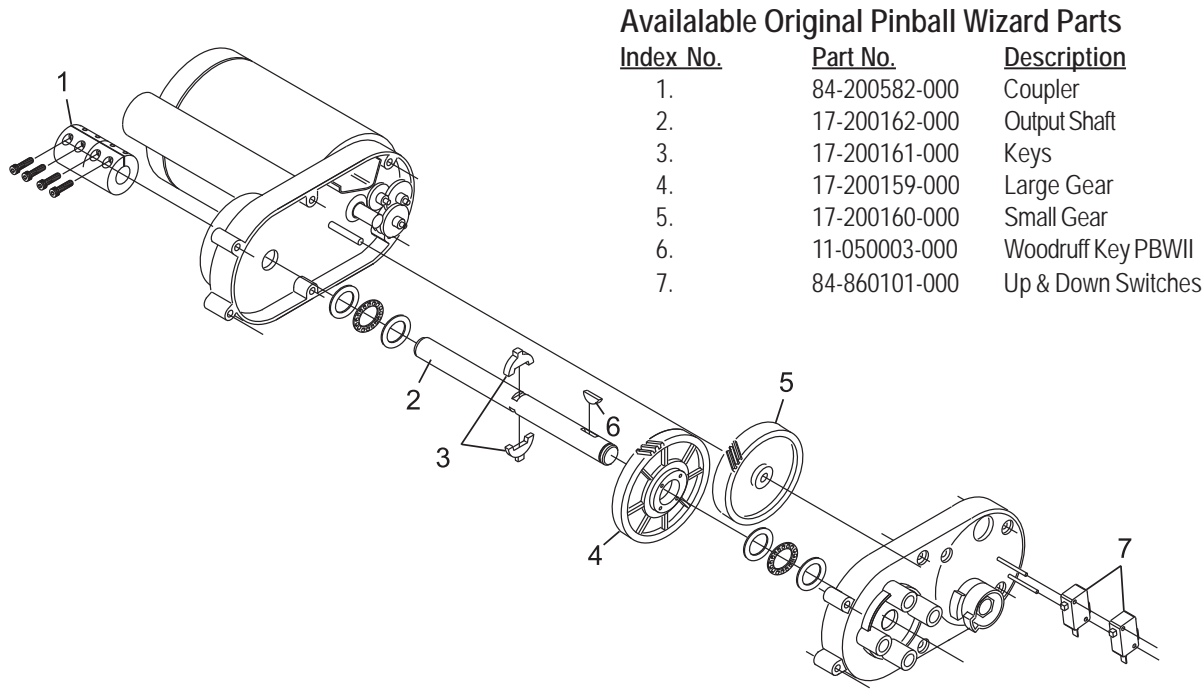
Figure 1 - Original Motor Timing



JUST ONE GEAR IS NOW USED. WITH THE ACTUATOR ARM IN THE FULL DOWN POSITION, THE TIMING MARK ON THE GEAR WILL LINE UP WITH ACTUATION POINT OF THE DOWN SWITCH.

Figure 2 - New Motor Timing

Brunswick will still offer internal replacement parts to customers with the original style motors, such as gears and keys, refer to *Figure 3*, but if the motor has failed due to electrical failure, a new replacement motor must be ordered.



Available Original Pinball Wizard Parts

<u>Index No.</u>	<u>Part No.</u>	<u>Description</u>
1.	84-200582-000	Coupler
2.	17-200162-000	Output Shaft
3.	17-200161-000	Keys
4.	17-200159-000	Large Gear
5.	17-200160-000	Small Gear
6.	11-050003-000	Woodruff Key PBWII
7.	84-860101-000	Up & Down Switches

Figure 3

The new part number for a new direct replacement motor is **84-860899-115** for the 115 volt motor and **84-860899-230** for the 230 volt motor. When a replacement motor is ordered, customers must also order the new external timing switches, part number **84-860681-000**.

Installation and timing instructions will be provided with the new timing switches and must be followed to time the motor correctly.

i Note: Failure to time the up and down switches properly may lead to failure of the switches or failure to the internal parts of the motor and or the Pinball Wizard controller PCB.

A copy of this Bulletin can be found on the Brunswick Bowling web site www.brunswickbowling.com. If you have any questions regarding this or any other Service Bulletins, please contact the Customer Response Center at 1-800-937-2695 or 1-231-725-4966.

Charlie C. Etzel
Customer Response Center Technician

David E. Rice
Director of Worldwide Service