

# SERVICE BULLETIN

**Subject: Lane Machine Pump Rotation Conversion Kit** Date: 11/01/01

**Distribution: All authorized Brunswick by Kegel and DBA lane machine distributors** Bulletin No. CEB01-10

## Update Notification

This service bulletin is to inform all Brunswick by Kegel and Kegel/DBA lane machine customers of a mechanical update available for the water spray pump. These pumps are mounted on the rear wall of the machines with the pump head assembly at the top. The position of the pump may become an issue if a leak occurs in the diaphragm, which can result in damage to the motor and shortened life. The Pump Rotation Conversion Kit repositions the pump as well as rotating the pump head assembly 180°. This update affects the following machines and corresponding serial numbers:

**Brunswick by Kegel**

- Sanction Standard Elite - serial # ELT-0743 and before
- Sanction Standard AC - serial # STDA-2208E to STDA-2216
- Kustodian (115V) - serial # KK-0866 and before
- Kustodian (230V) - serial # KK-6073E and before

**Kegel/DBA**

- Phoenix-S - serial # PXS-2907 to PXS-2932.



Pat Mitchell  
Product Specialist - Lane Maintenance



Tom Lehmkuhl  
Product Manager - Lanes





## Pump Rotation Conversion Kit 153-8206R

Read all of the instructions below before beginning. Contact either Brunswick or Kegel with questions.

### Lane Machines Affected

#### **Brunswick by Kegel**

Sanction Standard Elite - serial # ELT-0743 and before

Sanction Standard AC - serial # STDA-2208E to STDA-2216

Kustodian (115V) - serial # KK-0866 and before

Kustodian (230V) - serial # KK-6073E and before

#### **Kegel/DBA**

Phoenix-S - serial # PXS-2907 to PXS-2932.

These instructions will be used for the 115V and 230V machines listed above. When installing this kit on 115V machines it is necessary to trim the tubing to the correct lengths (#153-0202 to 6-5/8" & #153-0208S to 8-5/8"). while 230V machines will require these tube lengths (#153-0202 to 7" & #153-0208S to 9"). When trimming, make sure that each end is cut squarely. Cuts that are angled may cause leaks.

***NOTE:** If the elbows on the pump do not match the description in these instructions please contact technical support at 800-323-8141.*

### Tools Required:

Phillips Screwdriver  
Razor Knife  
Rags  
Ruler  
Wrench - 3/8"  
Wrench - 1/2"  
Wrench - 11/32"

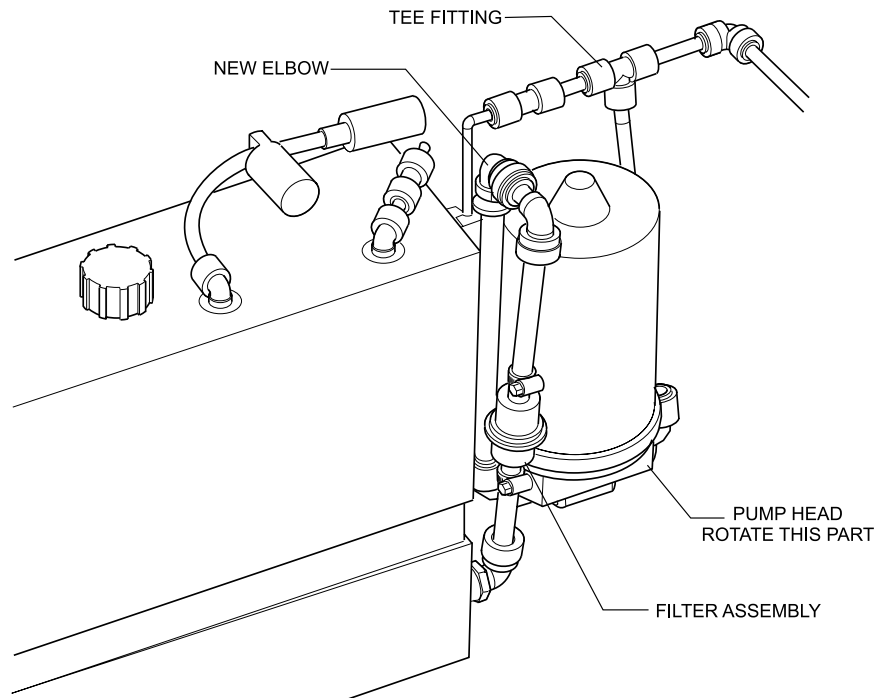
### Parts List:

Qty.	Part No.	Description
1 Ea.	154-0202	3/8" O.D. Oil Tubing (7")
1 Ea.	154-0256	3/8" x 3/8" Elbow
1 Ea.	153-0208S	1/4" O.D. Spray Hose (9")
3 Ea.	153-1047	Wire Ties

### Conversion Instructions

1. Disconnect power to the machine and disconnect the plug from the wire harness to the motor. Place rags underneath the pump to prevent spills on the machine and floor.
2. Remove the 1/4" spray hose from the tee fitting that leads to the pump output side and remove the 3/8" tubing from the pump elbow on the intake side of the pump coming from the filter.

3. Remove the wire clamp on the rear panel that secures the ground wire and connector.
4. Remove the four fasteners mounting the pump to the rear wall and remove the pump.
5. Place pump on workbench and remove the four long Phillips screws attaching the Pump Head Assembly to the motor (there is no need to remove the two recessed screws).
6. After Pump Head Assembly has been removed, rotate it 180° and reinstall it on the motor. Ensure that the Valve Assembly O-ring is seated properly when re-assembling. Verify that the "direction of flow" arrow is pointing in the opposite direction.
7. Insert the four long Phillips screws (removed in step 4) and tighten each one until secure.
8. Remove the 1/4" spray hose from the pump fittings and turn the elbows 90° (positioned toward the wires from pump motor).
9. Place the correct length of tubing into each elbow coming from the pump. Place the 154-0256 elbow (supplied in kit) on the end of the 3/8" x 1/4" tubing.
10. Place the Water Spray Pump on the rear wall with the Pump Head Assembly pointing down. Insert screws and tighten, making sure not to distort the rubber mounting grommets.
11. Insert the 1/4" spray hose (153-0208S) into the tee fitting, then connect the elbow fitting from the filter tubing into the open end of the 154-0256 elbow.
12. Reconnect pump motor plug into the wire harness plug, replace clamp, and restore power.
13. Test the pump and check all new fittings for leaks.



For technical support call Brunswick TechTeam at 1-800-323-8141 (option #1 and option #3), 1-231-725-4872 or E-mail [TechTeam@Brunbowl.com](mailto:TechTeam@Brunbowl.com) or call Kegel Lane Maintenance Central® at 863-382-6588 or E-mail [LMC@kegel.net](mailto:LMC@kegel.net).