



# SERVICE BULLETIN

**Subject: DBA Phoenix-S Model C Part Number Update Notification**

Date: 9/16/02

**Distribution: All DBA Phoenix-S Model C Customers**

BulletinNo. CEB02-8

It was recently discovered that a part number was listed incorrectly in the **Phoenix-S** model **C** manual (154-4400M & 154-4400T). The Circuit Board Assembly (Figure 6, item 2) for the drive motor speed control was identified in the manual as part number(s) 154-8810 (115V) and 154-8811 (230V); the correct part numbers are **154-8210 (115V)** and **154-8211 (230V)**. The incorrect part numbers appear on the sketch reference page for Figure 6, item 2 of the *Attaching Parts List*, and page 12 of the *Complete Parts List*. For future reference, change the incorrect part numbers on these pages to reflect the correct part numbers. Refer to the second page of this Bulletin for the updated page.

*Note: Please advise customers of corrected part # when they order this part.*

Pat Mitchell  
Technical Support Engineer

Mike Noursain  
Product Manger - Finishes & Supplies



If you need technical support on any lane maintenance products:

Call DBA Customer Service at 1-800-323-8141 (option #1 & option #3) or internationally at 1-231-725-4966 or contact via e:mail at [techteam@brunbowl.com](mailto:techteam@brunbowl.com)

Operators Manual

MECHANICAL DRAWING INDEX

FIGURE NUMBER	INDEX NUMBER	PART NUMBER	PART NAME & DESCRIPTION
<b>FIGURE 6 PART NUMBERS</b>			
6	1	153-1012	SPEED CONTROL FOR DC MOTOR (KBIC-120) INCLUDES RESISTOR
6	1	153-1812	SPEED CONTROL FOR DC MOTOR (KBIC-240) INCLUDES RESISTOR
6	2	154-8210	CIRCUIT BOARD ASSEMBLY (DRIVE SPEEDS) 115V
6	2	154-8211	CIRCUIT BOARD ASSEMBLY (DRIVE SPEEDS) 230V
6	3	153-1015	HORSEPOWER RESISTOR (1/4 HP 0.5 OHM)
6	4	154-1217	RELAY FOR SPEED CONTROL (SOLDER TERMINALS) 120V
6	4	154-1217A	RELAY FOR SPEED CONTROL (SOLDER TERMINALS) 240V
6	5	154-1218	TRIMPOT FOR CIRCUIT BOARD (BOURNS #3309P - 1K)
6	6	154-1219	TRIMPOT FOR CIRCUIT BOARD (BOURNS #3309P - 2K)
6	7	153-2509	CIRCUIT BOARD MOUNT
6	8	153-1004	BUFFER MOTOR CONTACTOR - (115V).
6	8	153-1604	BUFFER MOTOR CONTACTOR - (230V)

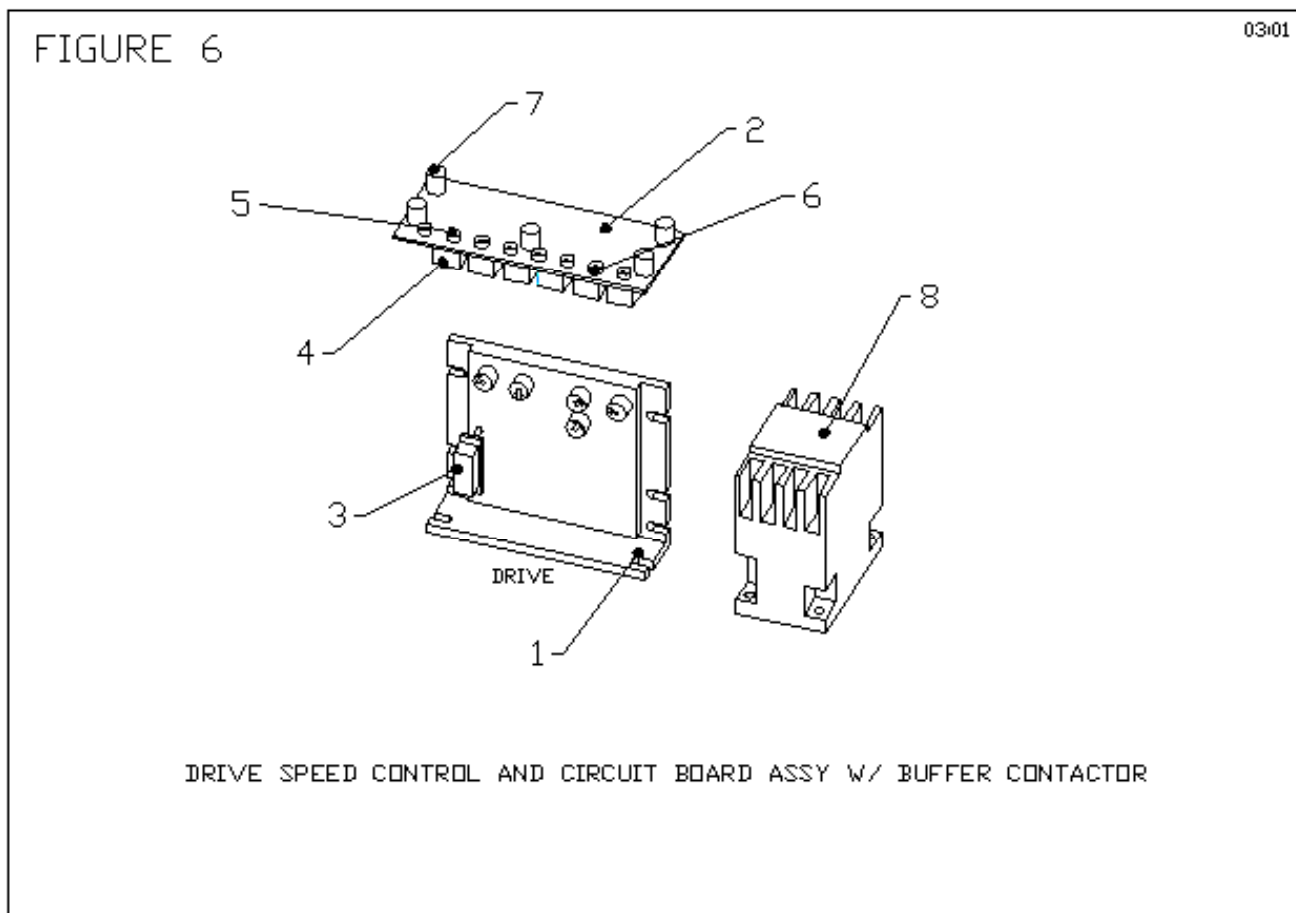


FIGURE 6