

SERVICE BULLETIN

Subject: GS-X Pinsetter Pin Station

Date: 4/24/09

Distribution: GS-X Pinsetter Customers

Bulletin No. SB09-3

We are pleased to announce the following changes/improvements for the GS-X Pinsetters.

Pin Station Assembly (47-094778-001) – To address some complaints of the shaft breaking for the pin release lever, we have redesigned the pin station. Starting with **Series 652 - 31** pinsetters, we have a new pin station assembly, part number 47-094778-001, with a steel shaft the pin release lever connects to. This is a direct replacement for the old pin station assembly with the same part number. Spare parts packages for the new retaining rings, plastic bushings, and steel shafts are called out in Figure 1. Refer to *Figure 1*.

The new pin station assembly has the date code and part number identification on the part.

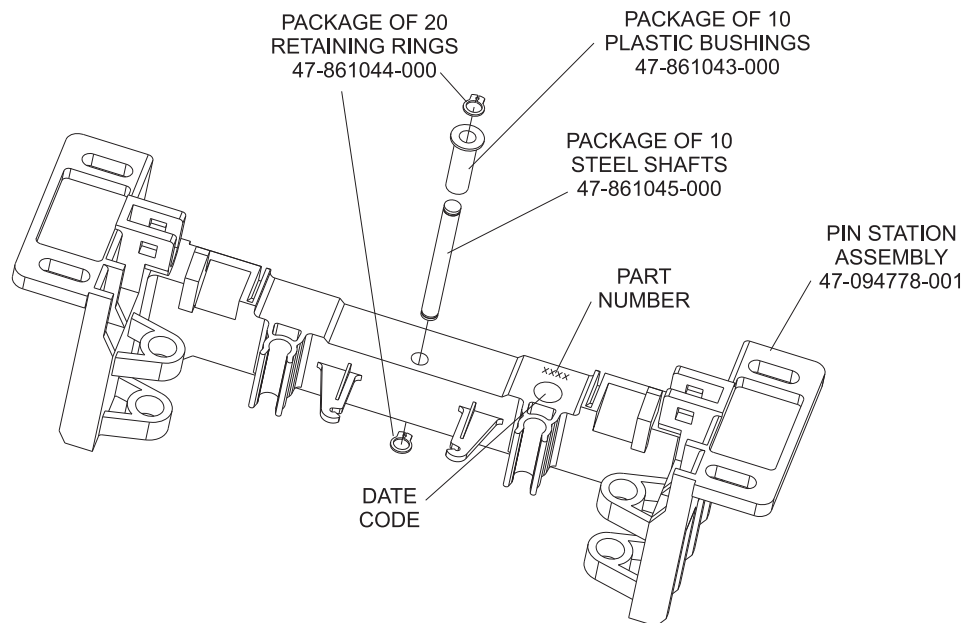


Figure 1

If you have any questions about the information contained in this Service Bulletin, please contact the author or in International locations, please contact your Brunswick representative. Visit www.brunswickbowling.com for electronic files of this and other Service Bulletins.

Kord L. Daniels

Kord L. Daniels
Service Product Engineer

David E. Rice

David E. Rice
Director of Worldwide Service